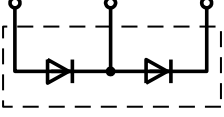
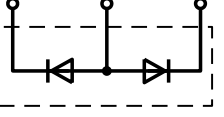
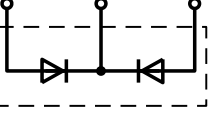


## Diode Modules MD#410

### Absolute Maximum Ratings

$V_{RRM}$ $V_{DRM}$ [V]	 MDD	 MDA	 MDK
2400	410-24N3	410-24N3	410-24N3
2800	410-28N3	410-28N3	410-28N3

	VOLTAGE RATINGS	MAXIMUM LIMITS	UNITS
$V_{RRM}$	Repetitive peak reverse voltage <sup>1)</sup>	2400-2800	V
$V_{RSM}$	Non-repetitive peak reverse voltage <sup>1)</sup>	2500-2900	V

	OTHER RATINGS	MAXIMUM LIMITS	UNITS
$I_{F(AV)M}$	Maximum average forward current, $T_C = 85^\circ\text{C}$ <sup>2)</sup>	440	A
$I_{F(AV)M}$	Maximum average forward current. $T_C = 100^\circ\text{C}$ <sup>2)</sup>	360	A
$I_{F(RMS)M}$	Nominal RMS forward current, $T_C = 55^\circ\text{C}$ <sup>2)</sup>	910	A
$I_{F(d.c.)}$	D.C. forward current, $T_C = 55^\circ\text{C}$	730	A
$I_{FSM}$	Peak non-repetitive surge $t_p = 10\text{ ms}$ , $V_{RM} = 60\%V_{RRM}$ <sup>3)</sup>	7.8	kA
$I_{FSM2}$	Peak non-repetitive surge $t_p = 10\text{ ms}$ , $V_{RM} \leq 10\text{ V}$ <sup>3)</sup>	8.5	kA
$I^2t$	$I^2t$ capacity for fusing $t_p = 10\text{ ms}$ , $V_{RM} = 60\%V_{RRM}$ <sup>3)</sup>	304	$\text{kA}^2\text{s}$
$I^2t$	$I^2t$ capacity for fusing $t_p = 10\text{ ms}$ , $V_{RM} \leq 10\text{ V}$ <sup>3)</sup>	360	$\text{kA}^2\text{s}$
$V_{ISOL}$	Isolation Voltage <sup>4)</sup>	3000	V
$T_{vj\text{ op}}$	Operating temperature range	-40 to +150	$^\circ\text{C}$
$T_{stg}$	Storage temperature range	-40 to +150	$^\circ\text{C}$

**Notes:**

- 1) De-rating factor of 0.13% per  $^\circ\text{C}$  is applicable for  $T_{vj}$  below  $25^\circ\text{C}$ .
- 2) Single phase; 50 Hz,  $180^\circ$  half-sinewave.
- 3) Half-sinewave,  $150^\circ\text{C}$   $T_{vj}$  initial.
- 4) AC RMS voltage, 50 Hz, 1min test

**Characteristics**

	PARAMETER	MIN.	TYP.	MAX.	TEST CONDITIONS <sup>1)</sup>	UNITS
V <sub>FM</sub>	Maximum peak forward voltage	-	-	1.40	I <sub>TM</sub> = 785 A, T <sub>VJ</sub> = 25°C	V
V <sub>T0</sub>	Threshold voltage	-	-	0.85		V
r <sub>T</sub>	Slope resistance	-	-	0.45		mΩ
I <sub>R<sub>RRM</sub></sub>	Peak reverse current	-	-	30	Rated V <sub>R<sub>RRM</sub></sub>	mA
R <sub>thJC</sub>	Thermal resistance, junction to case	-	0.1100	-	Single Arm	K/W
		-	0.0550	-	Whole Module	K/W
R <sub>thCH</sub>	Thermal resistance, case to heatsink	-	0.040	-	Single Arm	K/W
		-	0.020	-	Whole Module	K/W
F <sub>1</sub>	Mounting force (to heatsink)	-	6.00	-	<sup>2)</sup>	Nm
F <sub>2</sub>	Mounting force (to terminals)	-	9.00	-		Nm
W <sub>t</sub>	Weight	-	800	-		g

**Notes:**

- 1) Unless otherwise indicated T<sub>vj</sub>=125°C.
- 2) Screws must be lubricated.

## Notes on Ratings and Characteristics

### 1.0 Voltage Grade Table

Voltage Grade	$V_{DRM}$ $V_{RRM}$ V	$V_{DSM}$ $V_{RSM}$ V	$V_D$ $V_R$ DC V
24	2400	2500	1450
28	2800	2900	1550

### 2.0 Extension of Voltage Grades

This report is applicable to other voltage grades when supply has been agreed by Sales/Production.

### 3.0 De-rating Factor

A blocking voltage de-rating factor of 0.13%/°C is applicable to this device for  $T_{vj}$  below 25°C.

### 4.0 Repetitive dv/dt

Standard dv/dt is 1000V/μs.

### 5.0 Snubber Components

When selecting snubber components, care must be taken not to use excessively large values of snubber capacitor or excessively small values of snubber resistor. Such excessive component values may lead to device damage due to the large resultant values of snubber discharge current. If required, please consult the factory for assistance.

### 6.0 Computer Modelling Parameters

#### 6.1 Thyristor Dissipation Calculations

$$I_{AV} = \frac{-V_{T0} + \sqrt{V_{T0}^2 + 4 \cdot ff^2 \cdot r_T \cdot W_{AV}}}{2 \cdot ff^2 \cdot r_T} \quad \text{and:} \quad W_{AV} = \frac{\Delta T}{R_{th}}$$

$$\Delta T = T_{jmax} - T_C$$

Where  $V_{T0} = 0.85$  V,  $r_T = 0.45$  mΩ.

$R_{th}$  = Supplementary thermal impedance, see table below and

$ff$  = Form factor, see table below.

Supplementary Thermal Impedance							
Conduction Angle	30°	60°	90°	120°	180°	270°	d.c.
Square wave	3.46	2.45	2	1.73	1.41	1.15	1
Sine wave	3.98	2.78	2.22	1.88	1.57		

Form Factors							
Conduction Angle	30°	60°	90°	120°	180°	270°	d.c.
Square wave	3.464	2.449	2	1.732	1.414	1.149	1
Sine wave	3.98	2.778	2.22	1.879	1.57		

## 6.2 D.C. Thermal Impedance Calculation

$$r_t = \sum_{p=1}^{p=n} r_p \cdot \left( 1 - e^{\frac{-t}{\tau_p}} \right)$$

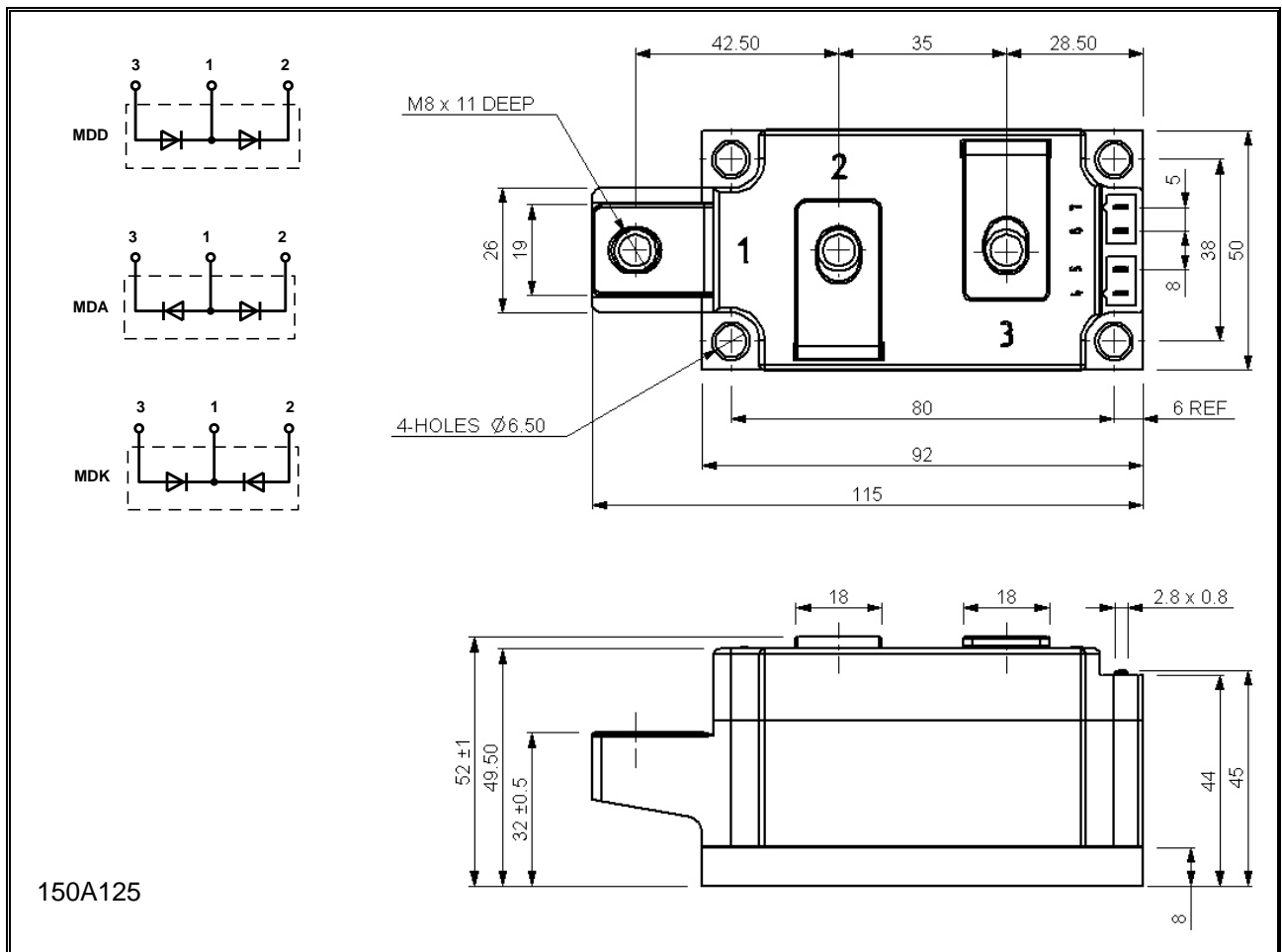
Where  $p = 1$  to  $n$  and:

- $n$  = number of terms in the series
- $t$  = Duration of heating pulse in seconds
- $r_t$  = Thermal resistance at time  $t$
- $r_p$  = Amplitude of  $p$ th term
- $\tau_p$  = Time Constant of  $r$ th term

The coefficients for this device are shown in the table below:

D.C.						
Term	1	2	3	4	5	6
$r_p$	0.1293	0.01314	0.02771	-0.05535	0.0528	0.002749
$\tau_p$	2.823	1.393	0.3322	0.0611	0.05731	0.002713

**Outline Drawing & Ordering Information**



**ORDERING INFORMATION**

(Please quote 11 digit code as below)

<b>M</b>	<b>D#</b>	<b>410</b>	<b>◆◆</b>	<b>N</b>	<b>3</b>
Fixed Type Code	Configuration code DD, DA or DK	Fixed Type Code	Voltage code $V_{RRM}/100$ 24-28	Standard Diode	Fixed Version Code

Typical order code: MDD410-24N3– MDD configuration, 2400V  $V_{RRM}$

**IXYS Semiconductor GmbH**  
 Edisonstraße 15  
 D-68623 Lampertheim  
 Tel: +49 6206 503-0  
 Fax: +49 6206 503-627  
 E-mail: [marcom@ixys.de](mailto:marcom@ixys.de)



**IXYS UK Westcode Ltd**  
 Langley Park Way, Langley Park,  
 Chippenham, Wiltshire, SN15 1GE.  
 Tel: +44 (0)1249 444524  
 Fax: +44 (0)1249 659448  
 E-mail: [sales@ixysuk.com](mailto:sales@ixysuk.com)

**IXYS Corporation**  
 1590 Buckeye Drive  
 Milpitas CA 95035-7418  
 Tel: +1 (408) 547 9000  
 Fax: +1 (408) 496 0670  
 E-mail: [sales@ixys.net](mailto:sales@ixys.net)

[www.ixysuk.com](http://www.ixysuk.com)

[www.ixys.com](http://www.ixys.com)

**IXYS Long Beach, Inc**  
 IXYS Long Beach, Inc  
 2500 Mira Mar Ave, Long Beach  
 CA 90815  
 Tel: +1 (562) 296 6584  
 Fax: +1 (562) 296 6585  
 E-mail: [service@ixyslongbeach.com](mailto:service@ixyslongbeach.com)

The information contained herein is confidential and is protected by Copyright. The information may not be used or disclosed except with the written permission of and in the manner permitted by the proprietors IXYS UK Westcode Ltd.

© IXYS UK Westcode Ltd.

In the interest of product improvement, IXYS UK Westcode Ltd reserves the right to change specifications at any time without prior notice.

Devices with a suffix code (2-letter, 3-letter or letter/digit/letter combination) added to their generic code are not necessarily subject to the conditions and limits contained in this report.