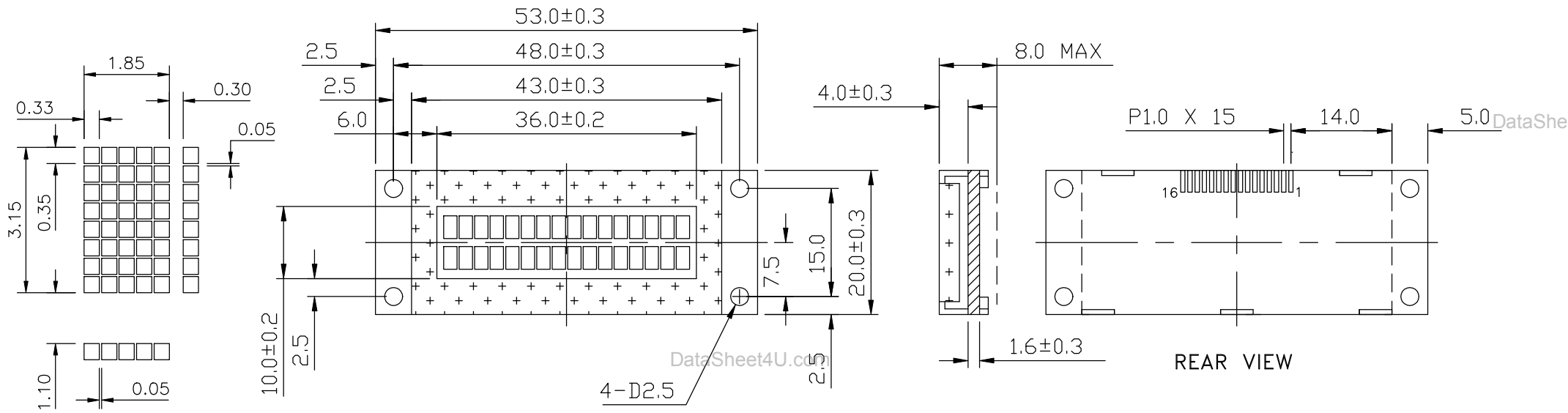


<p><b>16 CHARACTERS X 2 LINES</b>                  CHARACTER SIZE: 1.85W X 2.75H mm (5 X 7 DOTS)                  1.85W X 3.15H mm (5 X 8 DOTS)</p>	<h1 style="margin: 0;">MDL(S)-16263</h1>
---	--



16 PIN CONNECTION	1	2	3	4	5	6	7	8	9	10	11	12	13	14	15	16
	VSS	VDD	V0	RS	R/W	E	DB0	DB1	DB2	DB3	DB4	DB5	DB6	DB7	LED(+)	LED(-)

