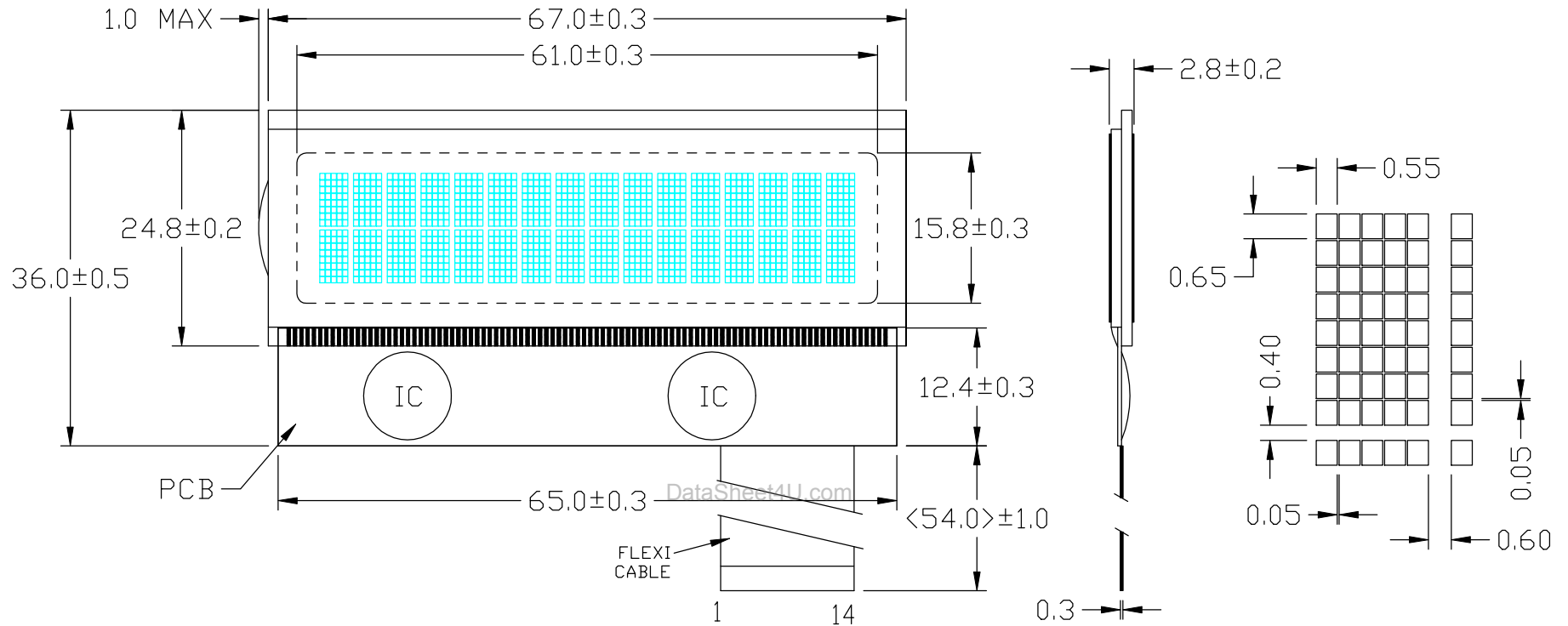


<p>16 CHARACTERS X 2 LINES CHARACTER SIZE: 2.95 X 4.85H mm (5 X 7 DOTS) CHARACTER SIZE: 2.95 X 5.55H mm (5 X 8 DOTS)</p>	<h2 style="margin: 0;">MDL(S)-16265P</h2>
---------------------------------------------------------------------------------------------------------------------------------------------------------------------------	-------------------------------------------



14 PIN CONNECTION	1	2	3	4	5	6	7	8	9	10	11	12	13	14
	GND	VCC	V0	RS	R/W	E	DB0	DB1	DB2	DB3	DB4	DB5	DB6	DB7

