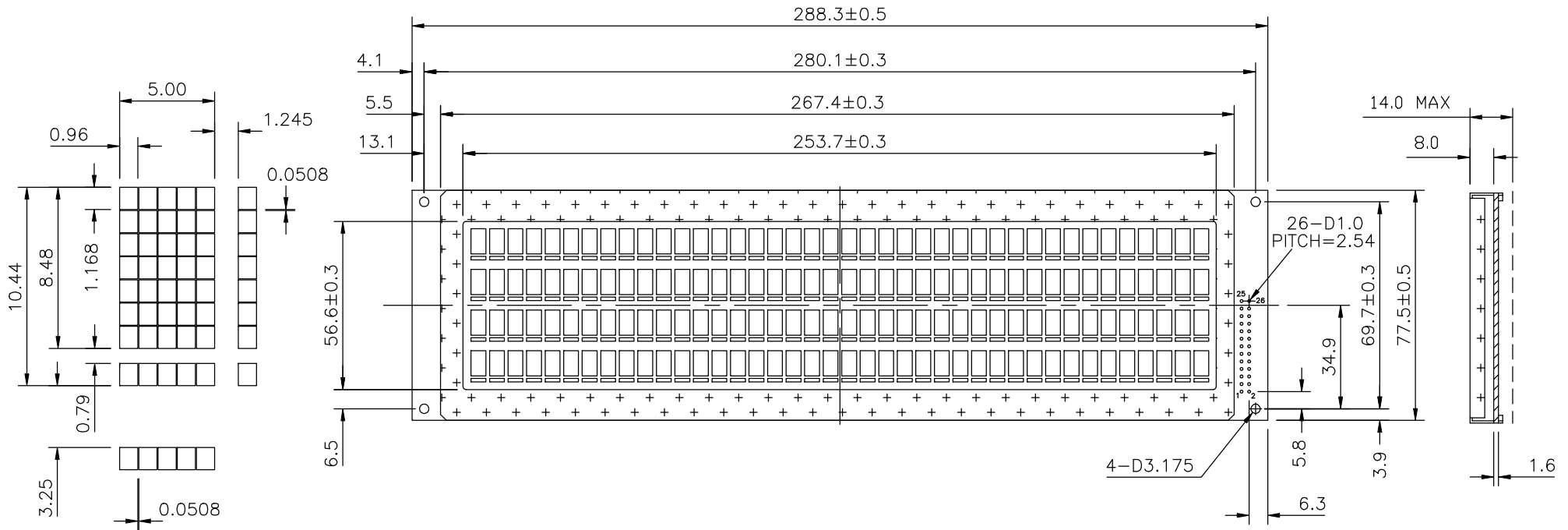


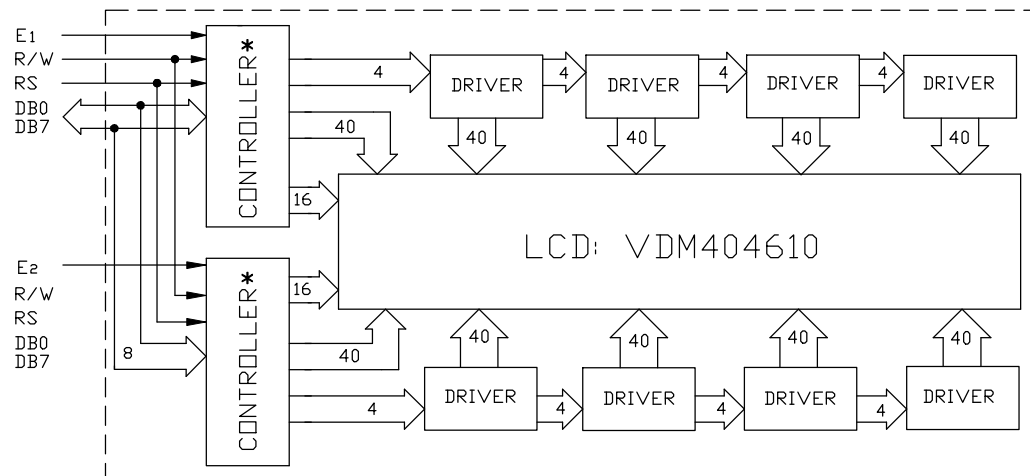
40 CHARACTERS X 4 LINES

CHARACTER SIZE: 5.00W X 8.48H mm (5 X 7 DOTS)
5.00W X 10.44H mm (5 X 8 DOTS)

MDL(S)-404610



26 PIN CONNECTION	1	2	3	4	5	6	7	8	9	10	11	12	13	14	15	16	17	18	19	20	21	22	23	24	25	26
	NC	V0	E2	NC	R/W	NC	RS	GND	E1	GND	DB0	GND	DB1	GND	DB2	GND	DB3	GND	DB4	GND	DB5	VCC	DB6	VCC	DB7	LED+



* HD44780 OR EQUIVALENT