

# MDP12N50F/MDF12N50F

## N-Channel MOSFET 500V, 11.5A, 0.7Ω

### General Description

These N-channel MOSFET are produced using advanced MagnaChip's MOSFET Technology, which provides low on-state resistance, high switching performance and excellent quality.

These devices are suitable device for SMPS, high Speed switching and general purpose applications.

### Features

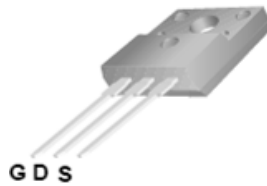
- $V_{DS} = 500V$
- $I_D = 11.5A$  @  $V_{GS} = 10V$
- $R_{DS(ON)} \leq 0.7\Omega$  @  $V_{GS} = 10V$

### Applications

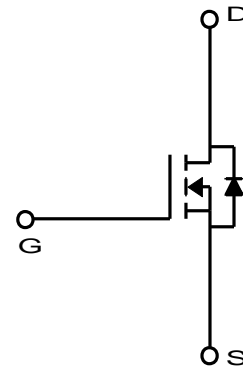
- Power Supply
- PFC
- High Current, High Speed Switching



TO-220  
MDP Series



TO-220F  
MDF Series



### Absolute Maximum Ratings ( $T_a = 25^\circ C$ )

Characteristics		Symbol	MDP12N50	MDF12N50	Unit
Drain-Source Voltage		$V_{DSS}$	500		V
Gate-Source Voltage		$V_{GSS}$	±30		V
Continuous Drain Current	$T_C=25^\circ C$	$I_D$	.11.5	11.5*	A
	$T_C=100^\circ C$		7.0	7.0*	A
Pulsed Drain Current <sup>(1)</sup>		$I_{DM}$	46	46*	A
Power Dissipation	$T_C=25^\circ C$	$P_D$	165	42	W
	Derate above 25 °C		1.33	0.32	W/°C
Repetitive Avalanche Energy <sup>(1)</sup>		$E_{AR}$	16.5		mJ
Peak Diode Recovery $dv/dt$ <sup>(3)</sup>		$dv/dt$	4.5		V/ns
Single Pulse Avalanche Energy <sup>(4)</sup>		$E_{AS}$	460		mJ
Junction and Storage Temperature Range		$T_J, T_{stg}$	-55~150		°C

\*  $I_D$  limited by maximum junction temperature

### Thermal Characteristics

Characteristics	Symbol	MDP12N50	MDF12N50	Unit
Thermal Resistance, Junction-to-Ambient <sup>(1)</sup>	$R_{\theta JA}$	62.5	62.5	°C/W
Thermal Resistance, Junction-to-Case <sup>(1)</sup>	$R_{\theta JC}$	0.75	3.0	

## Ordering Information

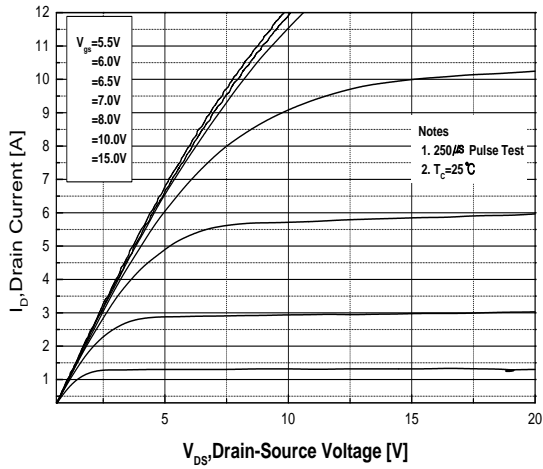
Part Number	Temp. Range	Package	Packing	RoHS Status
MDP12N50FTH	-55~150°C	TO-220	Tube	Halogen Free
MDF12N50FTH	-55~150°C	TO-220F	Tube	Halogen Free

## Electrical Characteristics (Ta =25°C)

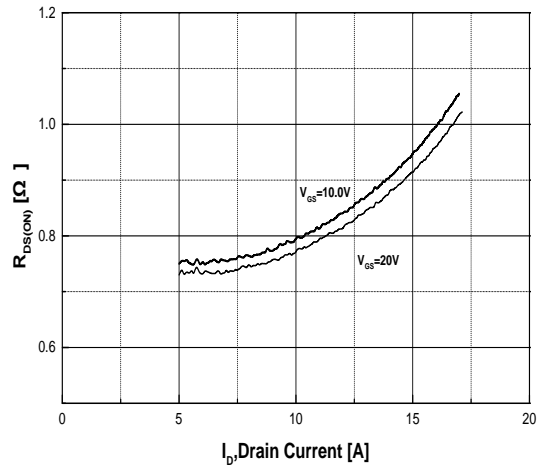
Characteristics	Symbol	Test Condition	Min	Typ	Max	Unit
<b>Static Characteristics</b>						
Drain-Source Breakdown Voltage	$BV_{DSS}$	$I_D = 250\mu A, V_{GS} = 0V$	500	-	-	V
Gate Threshold Voltage	$V_{GS(th)}$	$V_{DS} = V_{GS}, I_D = 250\mu A$	2.5	-	4.5	
Drain Cut-Off Current	$I_{DSS}$	$V_{DS} = 500V, V_{GS} = 0V$	-	-	10	$\mu A$
Gate Leakage Current	$I_{GSS}$	$V_{GS} = \pm 30V, V_{DS} = 0V$	-	-	100	nA
Drain-Source ON Resistance	$R_{DS(ON)}$	$V_{GS} = 10V, I_D = 5.75A$		0.59	0.7	$\Omega$
Forward Transconductance	$g_{fs}$	$V_{DS} = 30V, I_D = 5.75A$	-	5	-	S
<b>Dynamic Characteristics</b>						
Total Gate Charge	$Q_g$	$V_{DS} = 400V, I_D = 11.5A, V_{GS} = 10V^{(3)}$	-	20	26	nC
Gate-Source Charge	$Q_{gs}$		-	7.0	-	
Gate-Drain Charge	$Q_{gd}$		-	7.5	-	
Input Capacitance	$C_{iss}$	$V_{DS} = 25V, V_{GS} = 0V, f = 1.0MHz$	-	1010	1300	pF
Reverse Transfer Capacitance	$C_{rss}$		-	2.7	4.0	
Output Capacitance	$C_{oss}$		-	125	165	
Turn-On Delay Time	$t_{d(on)}$	$V_{GS} = 10V, V_{DS} = 250V, I_D = 11.5A, R_G = 25\Omega^{(3)}$	-	47	100	ns
Rise Time	$t_r$		-	35	80	
Turn-Off Delay Time	$t_{d(off)}$		-	55	120	
Fall Time	$t_f$		-	28	60	
<b>Drain-Source Body Diode Characteristics</b>						
Maximum Continuous Drain to Source Diode Forward Current	$I_S$		-	11.5	-	A
Source-Drain Diode Forward Voltage	$V_{SD}$	$I_S = 11.5A, V_{GS} = 0V$	-		1.4	V
Body Diode Reverse Recovery Time	$t_{rr}$	$I_F = 11.5A, di/dt = 100A/\mu s^{(3)}$	-	100		ns
Body Diode Reverse Recovery Charge	$Q_{rr}$		-	2.61		$\mu C$

Note :

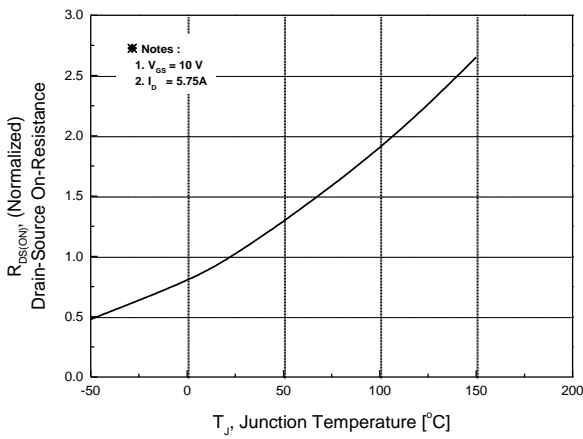
- Pulse width is based on  $R_{\theta JC}$  &  $R_{\theta JA}$  and the maximum allowed junction temperature of 150°C.
- Pulse test: pulse width  $\leq 300\mu s$ , duty cycle  $\leq 2\%$ , pulse width limited by junction temperature  $T_{J(MAX)} = 150^\circ C$ .
- $I_{SD} \leq 11.5A$ ,  $di/dt \leq 200A/\mu s$ ,  $V_{DD} = 50V$ ,  $R_G = 25\Omega$ , Starting  $T_J = 25^\circ C$
- $L = 6.3mH$ ,  $I_{AS} = 11.5A$ ,  $V_{DD} = 50V$ ,  $R_G = 25\Omega$ , Starting  $T_J = 25^\circ C$ ,



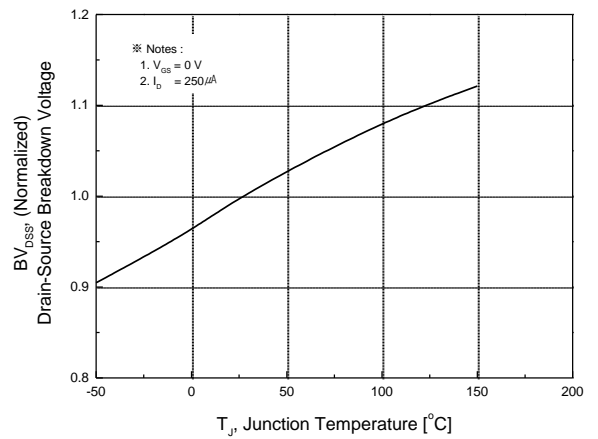
**Fig.1 On-Region Characteristics**



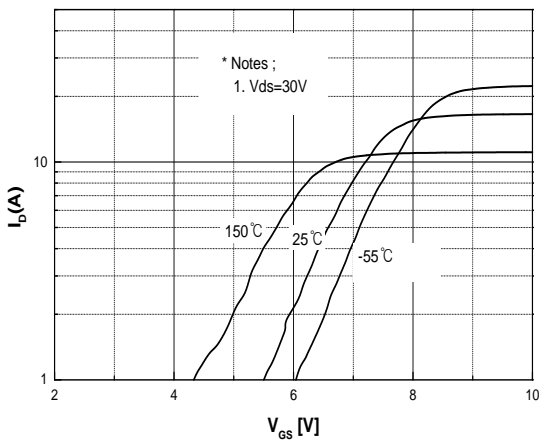
**Fig.2 On-Resistance Variation with Drain Current and Gate Voltage**



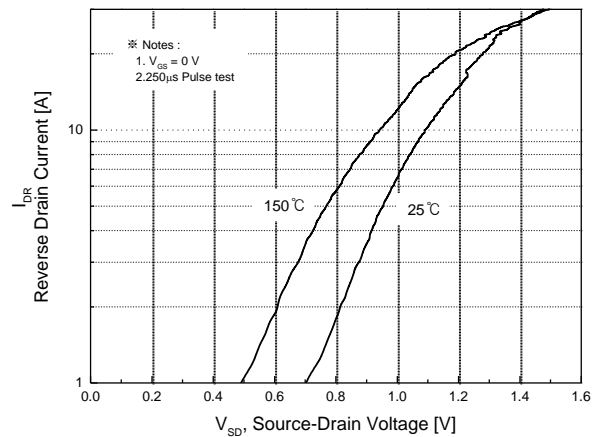
**Fig.3 On-Resistance Variation with Temperature**



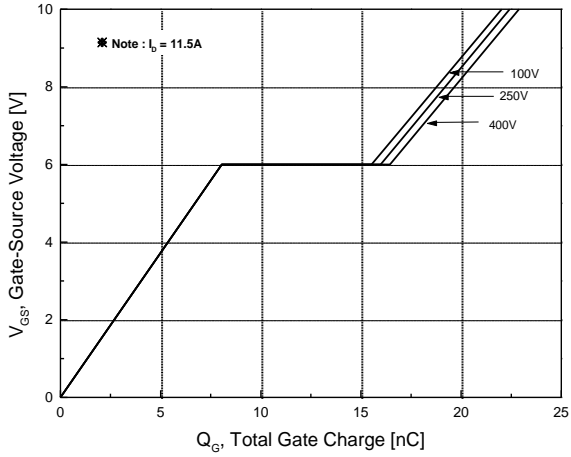
**Fig.4 Breakdown Voltage Variation vs. Temperature**



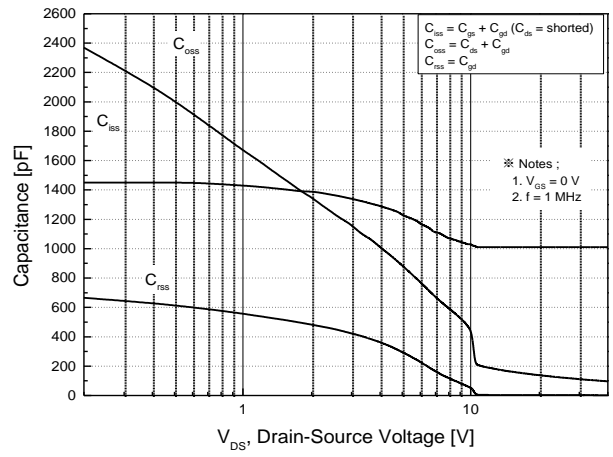
**Fig.5 Transfer Characteristics**



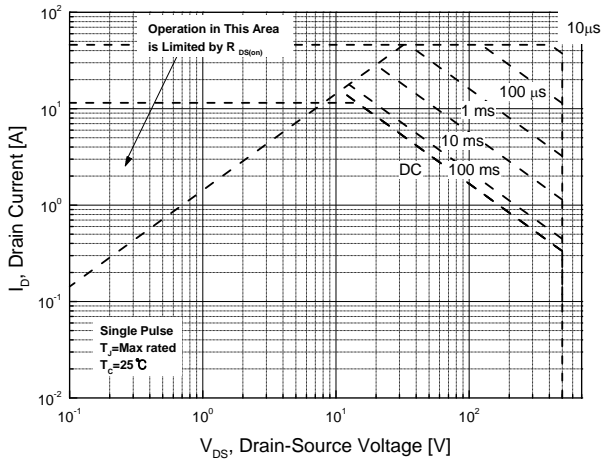
**Fig.6 Body Diode Forward Voltage Variation with Source Current and Temperature**



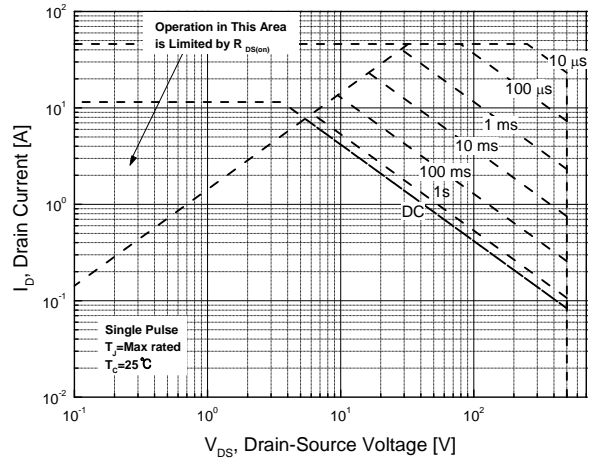
**Fig.7 Gate Charge Characteristics**



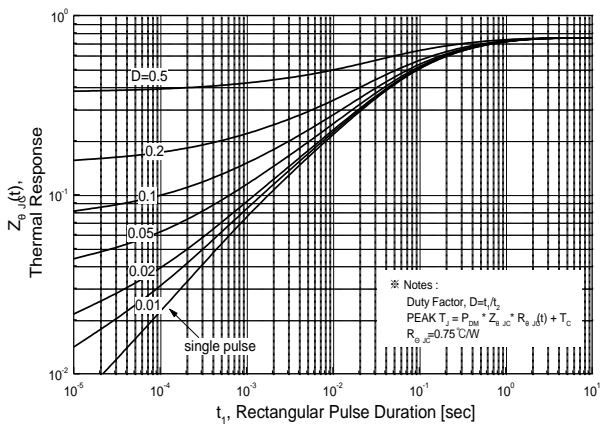
**Fig.8 Capacitance Characteristics**



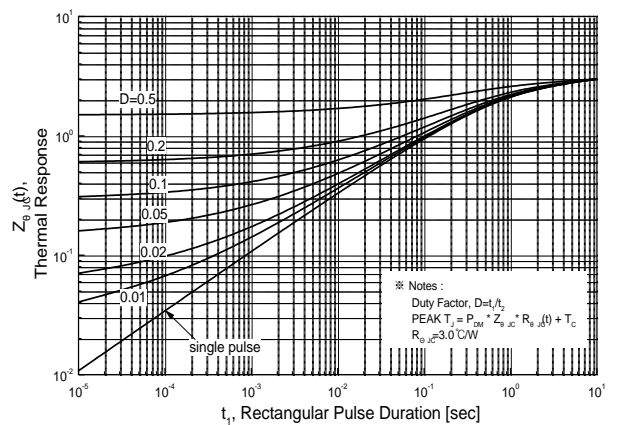
**Fig.9 Maximum Safe Operating Area MDP12N50F(TO-220)**



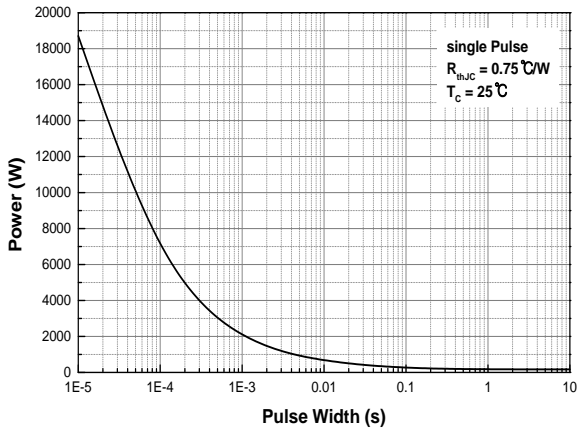
**Fig.10 Maximum Safe Operating Area MDF12N50F(TO-220F)**



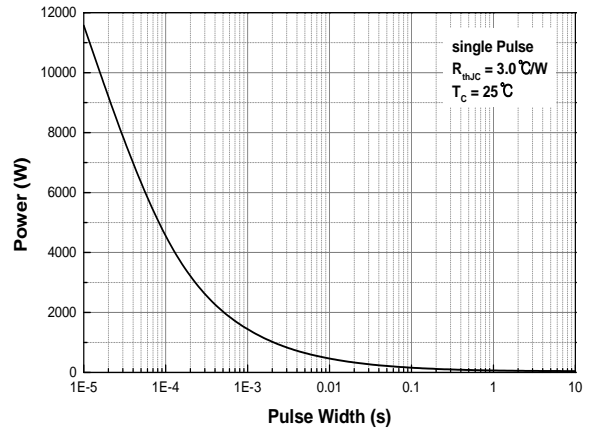
**Fig.11 Transient Thermal Response Curve MDP12N50F(TO-220)**



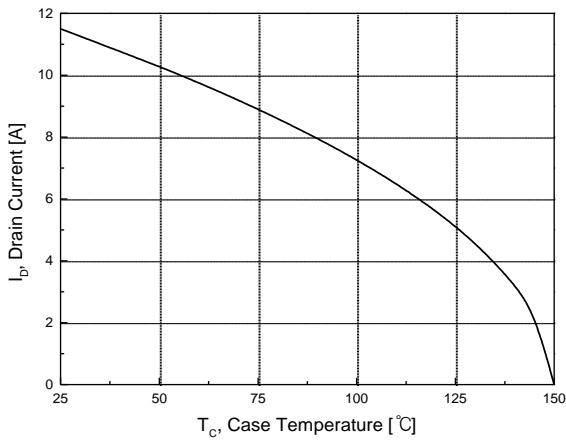
**Fig.12 Transient Thermal Response Curve MDF12N50F(TO-220F)**



**Fig.13 Single Pulse Maximum Power Dissipation MDP12N50F(TO-220)**



**Fig.14 Single Pulse Maximum Power Dissipation MDF12N50F(TO-220F)**

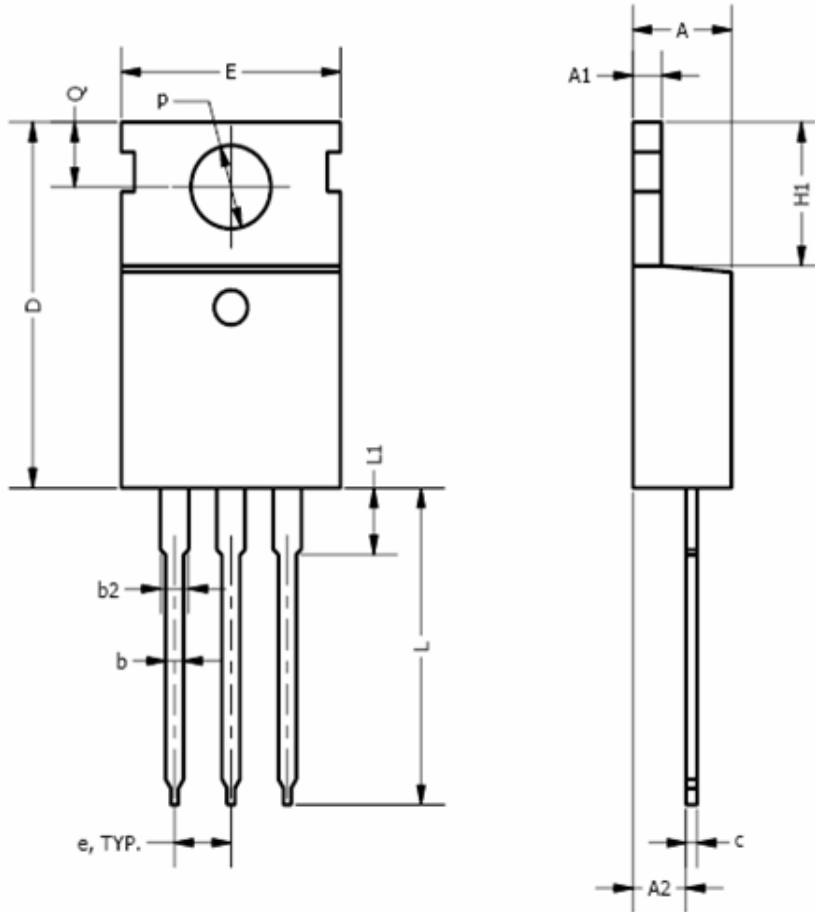


**Fig.15 Maximum Drain Current vs. Case Temperature**

■ Physical Dimension

3 Leads, TO-220

Dimensions are in millimeters unless otherwise specified

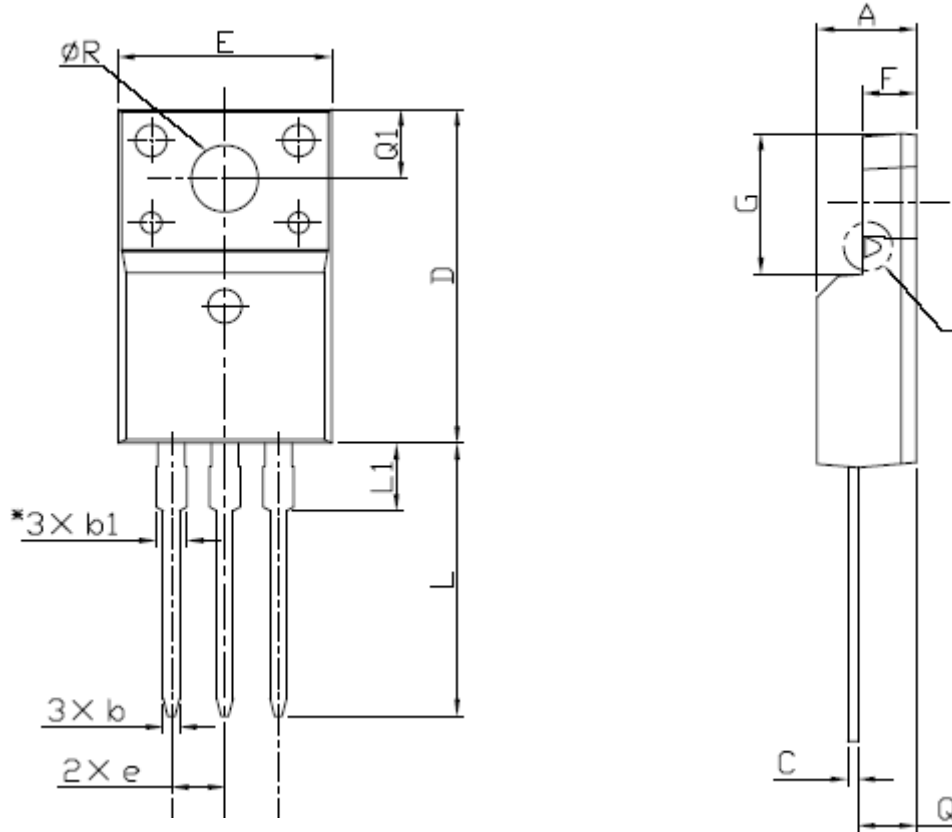


Symbol	Min	Nom	Max
A	3.56		4.83
A1	0.50		1.40
A2	2.03		2.92
b	0.38	0.69	1.02
b2	1.14	1.45	1.78
c	0.36		0.61
D	14.22		16.51
e	2.54 TYP		
E	9.65		10.67
H1	5.84		6.86
L	12.70		14.73
L1			6.35
$\phi P$	3.53		4.09
Q	2.54		3.43

■ Physical Dimension

3 Leads, TO-220F

Dimensions are in millimeters unless otherwise specified



Symbol	Min	Nom	Max
A	4.50		4.93
b	0.63		0.91
b1	1.15		1.47
C	0.33		0.63
D	15.47		16.13
E	9.60		10.71
e		2.54	
F	2.34		2.84
G	6.48		6.90
L	12.24		13.72
L1	2.79		3.67
Q	2.52		2.96
Q1	3.10		3.50
$\phi R$	3.00		3.55

**DISCLAIMER:**

The Products are not designed for use in hostile environments, including, without limitation, aircraft, nuclear power generation, medical appliances, and devices or systems in which malfunction of any Product can reasonably be expected to result in a personal injury. Seller's customers using or selling Seller's products for use in such applications do so at their own risk and agree to fully defend and indemnify Seller.

MagnaChip reserves the right to change the specifications and circuitry without notice at any time. MagnaChip does not consider responsibility for use of any circuitry other than circuitry entirely included in a MagnaChip product. [MagnaChip](#) is a registered trademark of MagnaChip Semiconductor Ltd.