

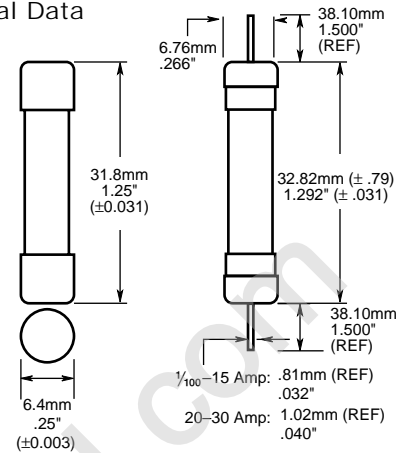
Dual-Element, Time-Delay Glass Fuse

For ¼" × 1¼" (6.4mm × 31.8mm)

MDQ
MDQ-V



Dimensional Data



Catalog Symbol: MDQ

¼" × 1¼" (6.3mm × 32mm) 3AG

Dual-Element, Time-Delay

Agency Approvals:

U.L. Listed, Std. 248-14

⅓₁₆-7A, Guide JDYX, File E19180

U.L. Recognized, 7.5-30A Guide JDYX2, File E19180

CSA Certified, Class 1422-01, File 47233

Body Material: Glass

Ferrule Material: Brass

Ferrule Plating: Nickel

General Information:

- Formerly designated 3AG.
- For circuits with high inrush currents.
- Mounts in Buss HTB panel-mounted HB series PC board fuseholders, series 8000 fuseblocks and ¼" clips.

Electrical Ratings (Catalog Symbol and Amperes)

250 Volts AC; U.L. Listed & CSA			32 Volts AC
MDQ-1/100	MDQ-9/10	MDQ-2¼	MDQ-7½
MDQ-1/32	MDQ-½	MDQ-2½	MDQ-8
MDQ-1/16	MDQ-9/10	MDQ-29/10	MDQ-9
MDQ-1/10	MDQ-¾	MDQ-3	MDQ-10
MDQ-1/8	MDQ-9/10	MDQ-32/10	MDQ-12
MDQ-15/100	MDQ-1	MDQ-4	MDQ-15
MDQ-179/100	MDQ-1½/10	MDQ-5	MDQ-20
MDQ-3/10	MDQ-1¼	MDQ-6	MDQ-25
MDQ-3/16	MDQ-1½	MDQ-6¼	MDQ-30
MDQ-¼	MDQ-19/10	MDQ-7	—
MDQ-3/10	MDQ-19/10	—	—
MDQ-3/8	MDQ-2	—	—

U.L. Recog.

Carton Quantity and Weight

Ampere Ratings	Carton Qty.	Weight*	
		Lbs.	Kg.
1/100-30	100	0.93	421

*Weight per carton.

CE CE logo denotes compliance with European Union Low Voltage Directive (50-1000 Vac, 75-1500 Vdc). Refer to BIF document #8002 or contact Bussmann Application Engineering at 314-527-1270 for more information.

Packaging & Ordering Information:

Package Code Blank 5 in BK/ 100 in	MDQ Product Symbol	V Lead Blank-no lead V-Axial lead	(See Table) Rated Current
--	-----------------------	--	------------------------------

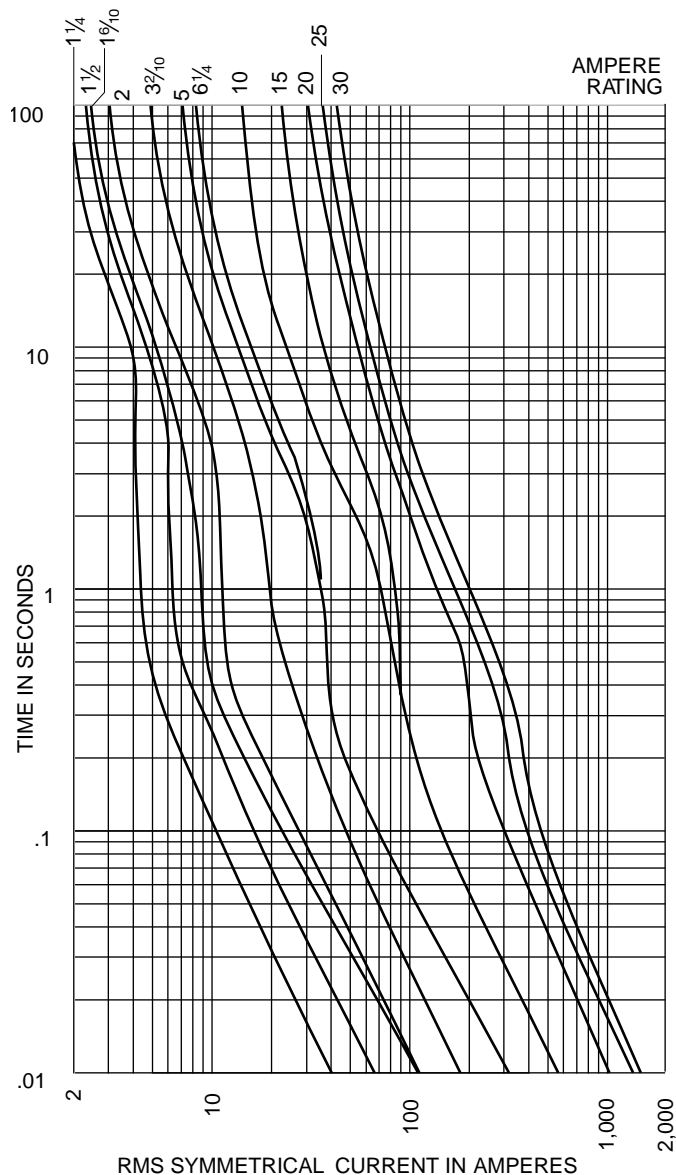
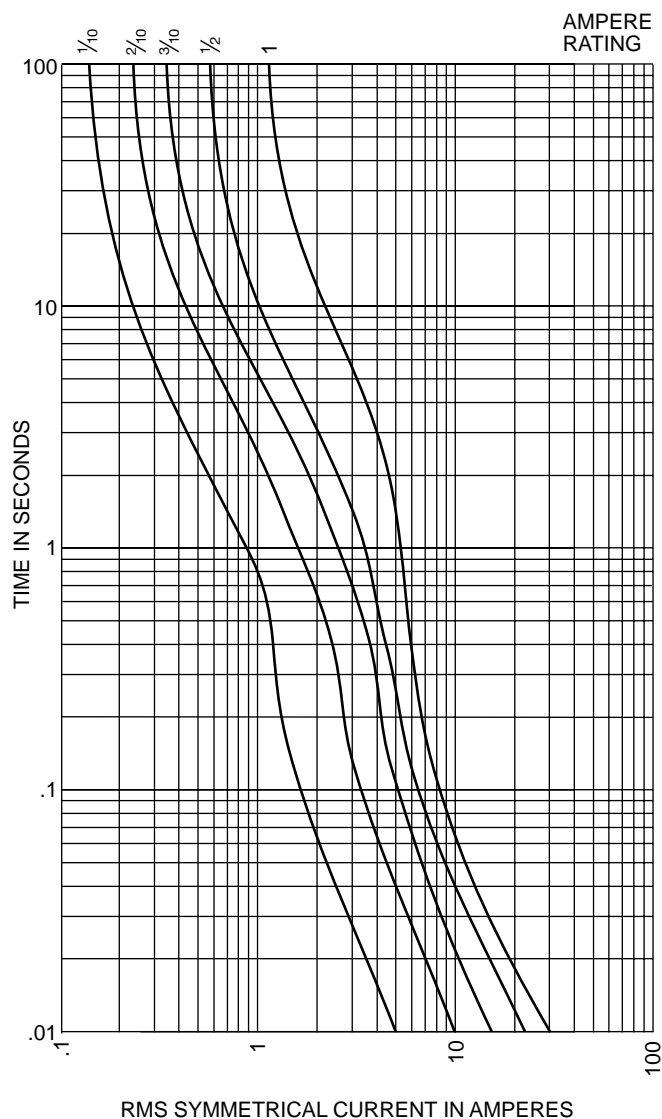
Dual-Element, Time-Delay Glass Fuse

MDQ

For 1/4" x 1 1/4" (6.4mm x 31.8mm)

MDQ-V

Time-Current Characteristic Curves-Average Melt
(Full Size Curves Available)



The only controlled copy of this BIF document is the electronic read-only version located on the Bussmann Network Drive. All other copies of this document are by definition uncontrolled. This bulletin is intended to clearly present comprehensive product data and provide technical information that will help the end user with design applications. Bussmann reserves the right, without notice, to change design or construction of any products and to discontinue or limit distribution of any products. Bussmann also reserves the right to change or update, without notice, any technical information contained in this bulletin. Once a product has been selected, it should be tested by the user in all possible applications.