

MDR762F

5375MHz BPF for Wireless LAN

Inquiry

Characteristics

MDR762F

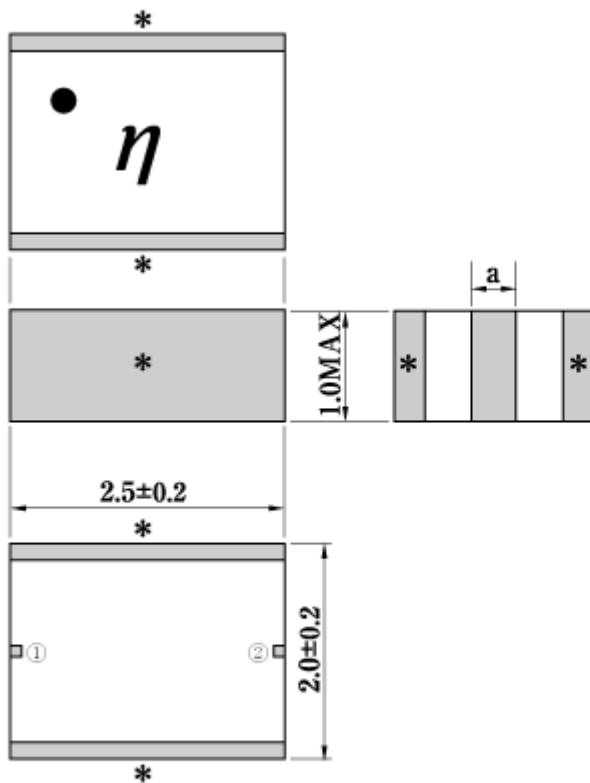
Zin/Zout	50 ohm Nominal
Fc	5375MHz Nominal
Pass Band	4900-5850MHz
Insertion Loss	1.5 dB max (4900-5850MHz at 25 Deg.C)
	1.7 dB max (4900-5850MHz at -40 up to +85 Deg.C)
Ripple	1.0 dB max (4900-5850MHz)
V.S.W.R	2.0 max (4900-5850MHz)
Attenuation	25 dB min (at 3900MHz)
	15 dB min (at 6533MHz)

Number of ordered pieces

2000pcs/Reel

Dimensions

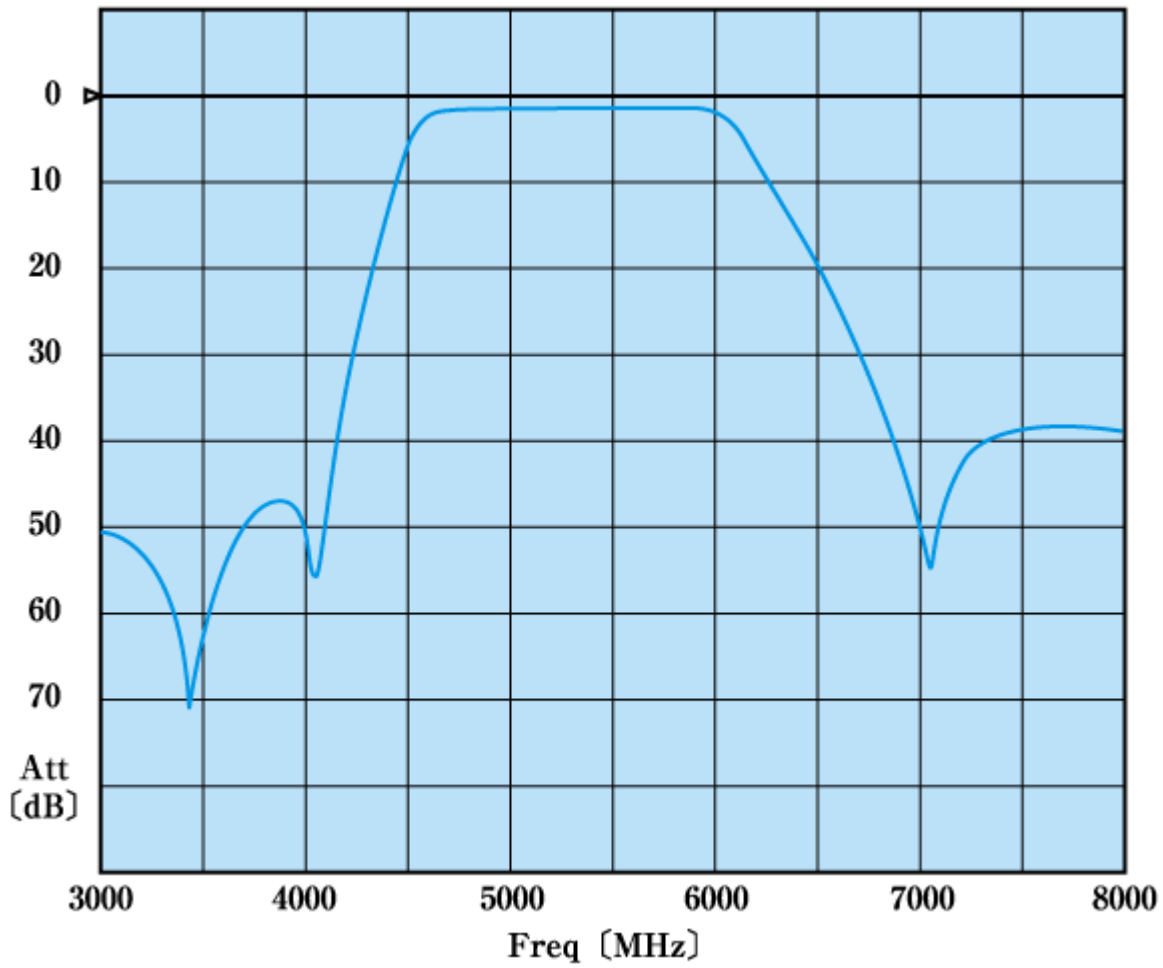
Dimensions (Unit : mm)



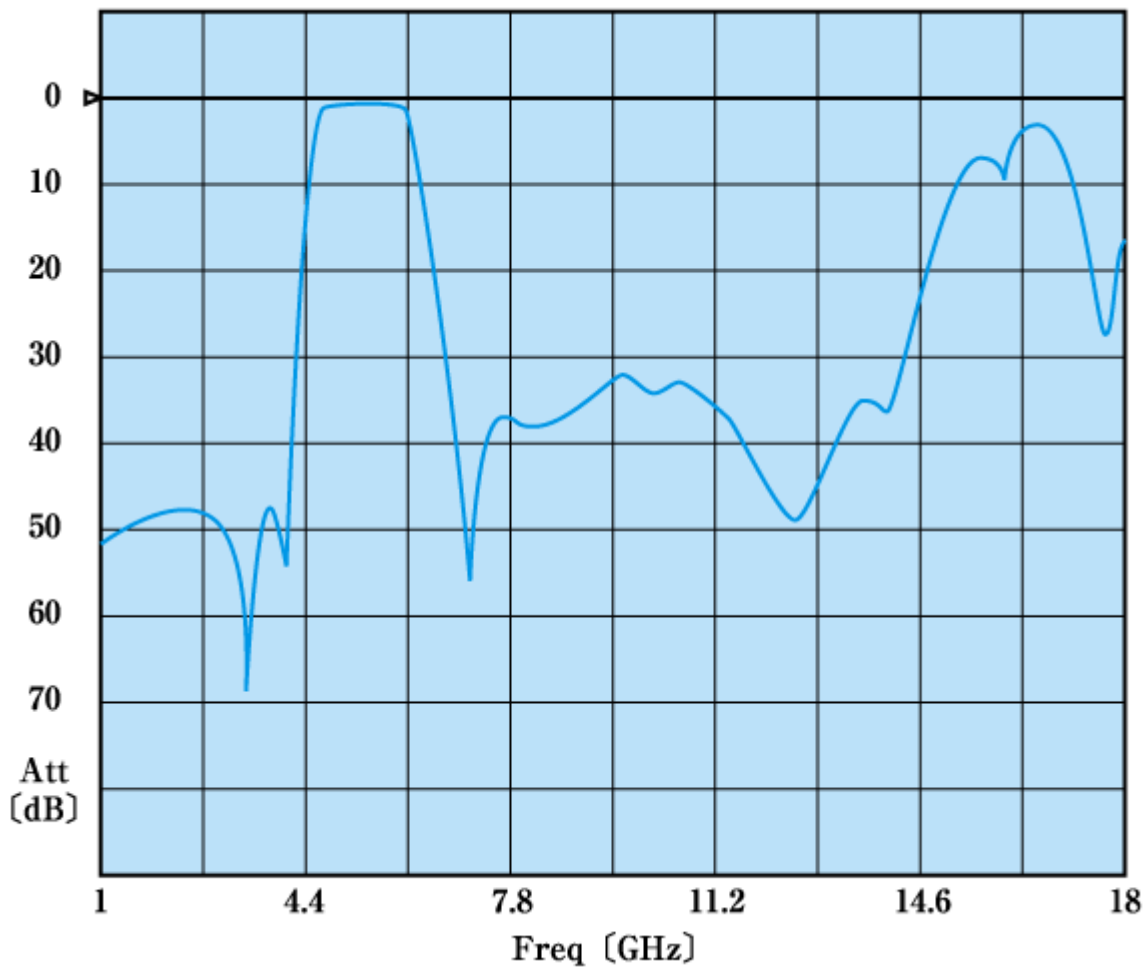
Terminal	
①	Input
②	Output
*	GND

$a = 0.5 \pm 0.2$

Frequency Data1

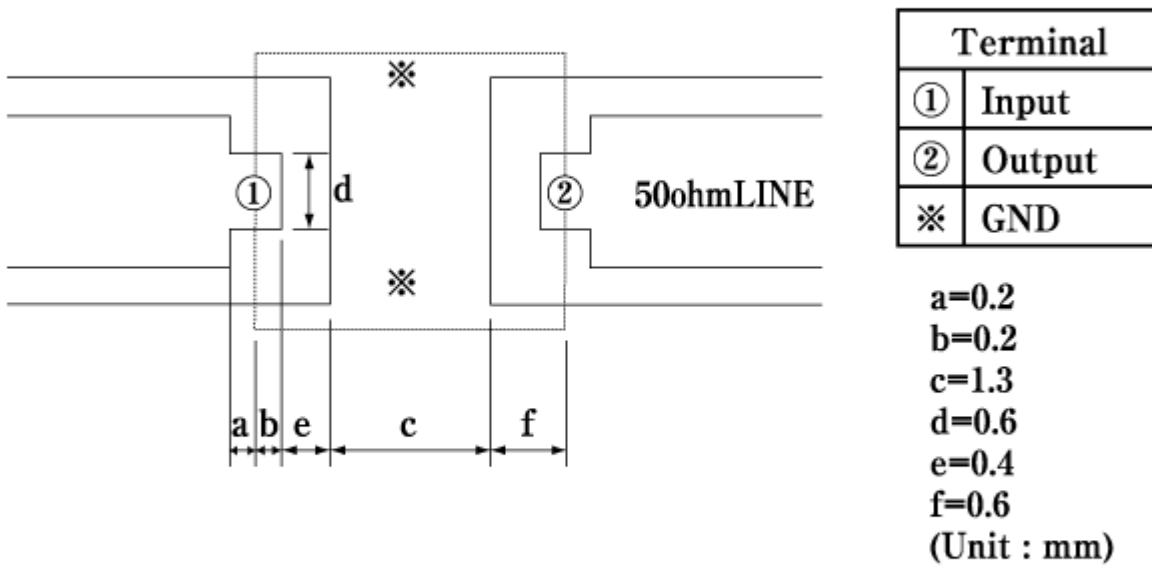


Frequency Data2



Land Pattern

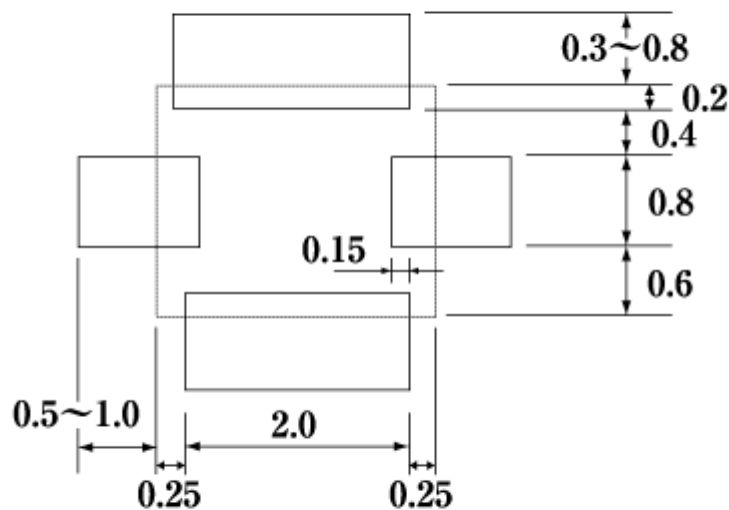
Land pattern



Example : t=1.0mm
Glass-epoxy board

Resist Pattern

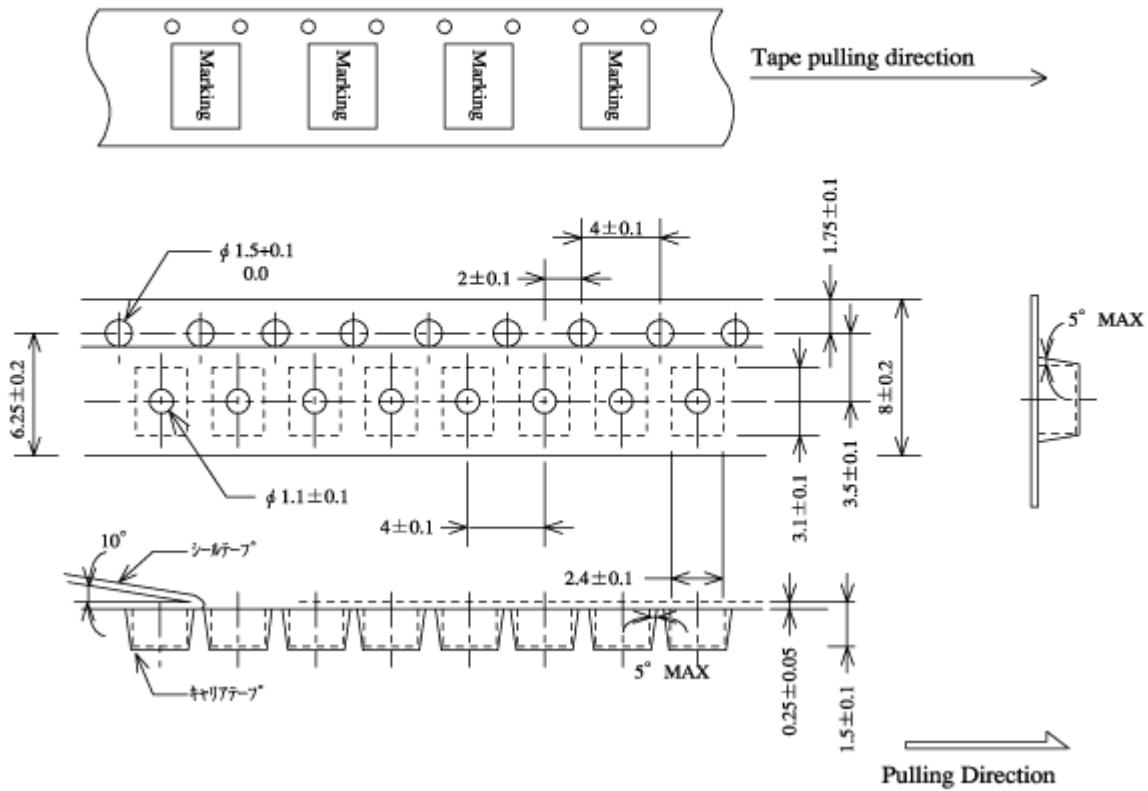
Resist pattern



Example : t=1.0mm
Glass-epoxy board

Taping Dimensions

Taping Dimensions (Unit:mm)



Reel Dimensions

Reel Dimensions (Unit:mm)

