

November 2003

Features

- 4 10/100 Mbps auto-negotiating RMII ports
- 1 10/100 Mbps auto-negotiating MII/serial port (Port 4) that can be used as a WAN uplink or as a 5th port
- External I²C EEPROM for power-up configuration
 - Default mode allows operation without external EEPROM
- Up to 4 port-based VLANs
- Full wire-speed layer 2 switching on all ports (up to 1.448 M packets per second)
- Internal 1 k MAC address table
 - Auto address learning
 - Auto address aging
- Leading edge QoS capabilities provided based on 802.1p and IP TOS/DS field
 - 2 queues per output port
 - Packet scheduling based on Weighted Round-Robin (WRR) and Weighted Random Early Detection/Drop (WRED)
 - Without flow control can drop packets during congestion using WRED
 - 2 levels of packet drop provided
- Supports both Full/Half duplex ports
- Supports external parallel port for configuration updates
- Port 3 can be used to mirror traffic from the other 3 ports (0-2)

Ordering Information

MDS105AL 208 Pin PQFP

-40°C to +85°C

- Provides port-based prioritization of packets on up to 2 ports (0-1)
 - Input ports are defined to be high or low priority
 - Allows explicit identification of IP Phone ports
- Ports 0 & 1 can be trunked to provide a 200 Mbps link to another switch or server
- Utilizes a single low-cost external Pipelined, SyncBurst SRAM (SBRAM) for buffer memory
 - 256 k bytes or 512 k bytes (1 chip)
- Flow Control capabilities
 - Provides back pressure for half duplex
 - 802.3x flow control for full duplex
- Special power-saving mode for inactive ports
- Ability to support WinSock2.0 and Windows2000 smart applications
- Transmit delay control capabilities
 - Provides maximum delay guarantee (<1 ms)
 - Supports mixed voice-data networks
- Optimized pin-out for easy board layout

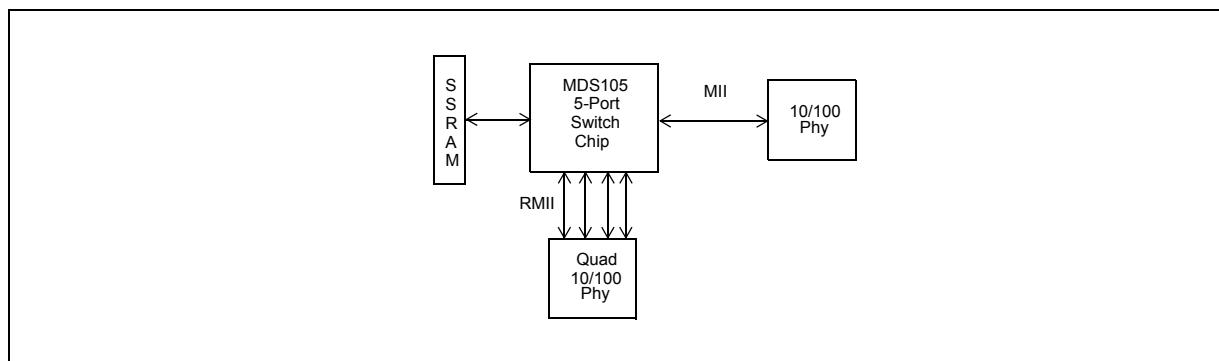


Figure 1 - System Block Diagram

Description

The MDS105 is a fully integrated 5 port Ethernet switch designed to support the low-cost requirements of unmanaged switch applications. The MDS105 provides features that are normally not associated with plug-and-play technology, while not requiring an external processor to facilitate their utilization.

The MDS105 begins operating immediately at power-up, learning addresses automatically and forwarding packets at full wire-speed to any of its four output ports or the uplink expansion port. The default configuration allows operation without using an external EEPROM.

With an EEPROM to configure the device at power-up, however, the MDS105 provides flexible features: port trunking, port mirroring, port-based VLANs, and Quality of Service (QoS) capabilities that are usually associated only with managed switches.

The built-in intelligence of the MDS105 allows it to recognize and offer packet prioritization using Zarlink's QoS scheme. Packets are prioritized based upon their layer 2 VLAN priority tag or the layer 3 Type-Of-Service/Differentiated Services (TOS/DS) field. This priority can be defined as transmit and/or drop priority.

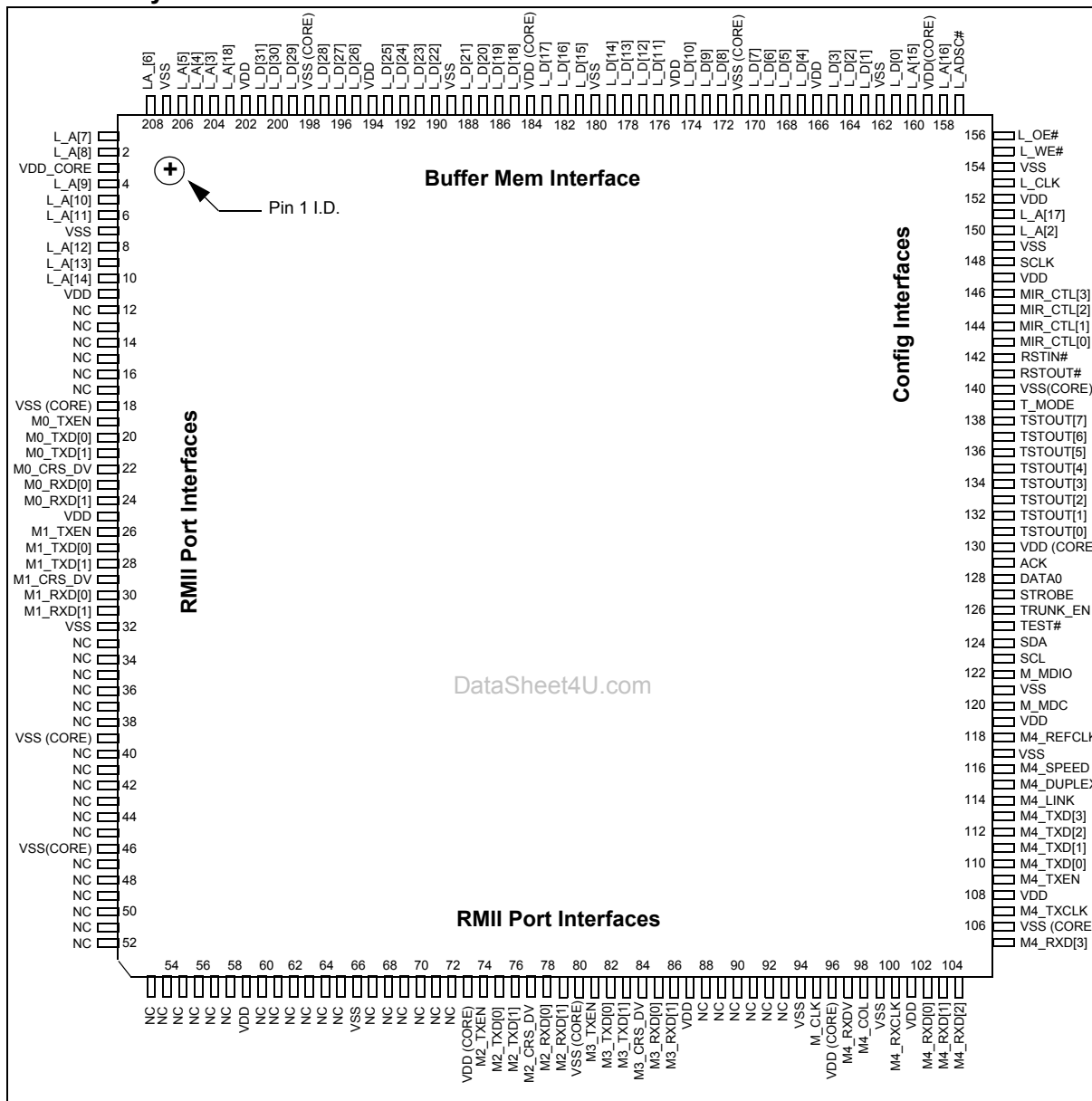
The MDS105 can be used to create a 4 port unmanaged switch with one WAN router port by connecting a CPU (ARM or MPC 850) to the additional MII port (Port 4). The only external components needed are the physical layer transceivers and a single SDRAM, resulting in a low total system cost.

Designed to support the requirements of converging networks, the MDS105 utilizes a power conserving architecture. To further enhance this power management, the chip automatically detects when a switch port is not being utilized, and turns off the logic associated with that port, thereby saving power and reducing the current load on the switch power supply.

Operating at 66 MHz internally, and with a 66 MHz interface to the external SDRAM, the MDS105 sustains full wire-speed switching on all 5 ports.

The chip is packaged in a small 208 pin Plastic Quad Flat-Pak (PQFP) package.

MDS105 Physical Pinout



et4U.com

DataSheet4U.com

DataSheet4U.com

PIN Reference Table

| Pin # | Pin Name |
|-------|------------|
| 1 | L_A[7] |
| 2 | L_A[8] |
| 3 | VDD (CORE) |
| 4 | L_A[9] |
| 5 | L_A[10] |
| 6 | L_A[11] |
| 7 | VSS |
| 8 | L_A[12] |
| 9 | L_A[13] |
| 10 | L_A[14] |
| 11 | VDD |
| 12 | NC |
| 13 | NC |
| 14 | NC |
| 15 | NC |
| 16 | NC |
| 17 | NC |
| 18 | VSS (CORE) |
| 19 | M0_TXEN |
| 20 | M0_TXD[0] |
| 21 | M0_TXD[1] |
| 22 | M0_CRSDV |
| 23 | M0_RXD[0] |
| 24 | M0_RXD[1] |
| 25 | VDD |
| 26 | M1_TXEN |
| 27 | M1_TXD[0] |
| 28 | M1_TXD[1] |
| 29 | M1_CRSDV |
| 30 | M1_RXD[0] |
| 31 | M1_RXD[1] |
| 32 | VSS |
| 33 | NC |
| 34 | NC |

| | |
|----|------------|
| 35 | NC |
| 36 | NC |
| 37 | NC |
| 38 | NC |
| 39 | VDD (CORE) |
| 40 | NC |
| 41 | NC |
| 42 | NC |
| 43 | NC |
| 44 | NC |
| 45 | NC |
| 46 | VSS (CORE) |
| 47 | NC |
| 48 | NC |
| 49 | NC |
| 50 | NC |
| 51 | NC |
| 52 | NC |
| 53 | NC |
| 54 | NC |
| 55 | NC |
| 56 | NC |
| 57 | NC |
| 58 | NC |
| 59 | VDD |
| 60 | NC |
| 61 | NC |
| 62 | NC |
| 63 | NC |
| 64 | NC |
| 65 | NC |
| 66 | VSS |
| 67 | NC |
| 68 | NC |
| 69 | NC |
| 70 | NC |

| | |
|-----|-------------------|
| 71 | M5_RXD[0] |
| 72 | M5_RXD[1] |
| 73 | VDD (CORE) |
| 74 | M6_TXEN |
| 75 | M6_TXD[0] |
| 76 | M6_TXD[1] |
| 77 | M6_CRSDV |
| 78 | M6_RXD[0] |
| 79 | M6_RXD[1] |
| 80 | VSS (CORE) |
| 81 | M7_TXEN |
| 82 | M7_TXD[0] |
| 83 | M7_TXD[1] |
| 84 | M7_CRSDV |
| 85 | M7_RXD[0] |
| 86 | M7_RXD[1] |
| 87 | VDD |
| 88 | NC |
| 89 | NC |
| 90 | NC |
| 91 | NC |
| 92 | NC |
| 93 | NC |
| 94 | VSS |
| 95 | M_CLK |
| 96 | VDD (CORE) |
| 97 | M8_RXDV/S8_CRSDV |
| 98 | M8_COL/S8_COL |
| 99 | VSS |
| 100 | M8_RXCLK/S8_RXCLK |
| 101 | VDD |
| 102 | M8_RXD[0]/S8_RXD |
| 103 | M8_RXD[1] |
| 104 | M8_RXD[2] |
| 105 | M4_RXD[3] |
| 106 | VSS (CORE) |

| | |
|-----|---------------------|
| 107 | M8_TXCLK/S8_TXCLK |
| 108 | VDD |
| 109 | M8_TXEN[0]/S8_TXEN |
| 110 | M8_TXD[0]/S8_TXD |
| 111 | M8_TXD[1] |
| 112 | M8_TXD[2] |
| 113 | M8_TXD[3] |
| 114 | M8_LINK/S8_LINK |
| 115 | M8_DUPLEX/S8_DUPLEX |
| 116 | M8_SPEED |
| 117 | VSS |
| 118 | M8_REFCLK |
| 119 | VDD |
| 120 | M_MDC |
| 121 | VSS |
| 122 | M_MDIO |
| 123 | SCL |
| 124 | SDA |
| 125 | TEST# |
| 126 | TRUNK_ENABLE |
| 127 | STROBE |
| 128 | DATA0 |
| 129 | ACK |
| 130 | VDD (CORE) |
| 131 | TSTOUT[0] |
| 132 | TSTOUT[1] |
| 133 | TSTOUT[2] |
| 134 | TSTOUT[3] |
| 135 | TSTOUT[4] |
| 136 | TSTOUT[5] |
| 137 | TSTOUT[6] |
| 138 | TSTOUT[7] |
| 139 | T_MODE |
| 140 | VSS (CORE) |
| 141 | RSTOUT# |

| | |
|-----|-------------------|
| 142 | RSTIN# |
| 143 | MIRROR_CONTROL[0] |
| 144 | MIRROR_CONTROL[1] |
| 145 | MIRROR_CONTROL[2] |
| 146 | MIRROR_CONTROL[3] |
| 147 | VDD |
| 148 | SCLK |
| 149 | VSS |
| 150 | L_A[2] |
| 151 | L_A[17] |
| 152 | VDD |
| 153 | L_CLK |
| 154 | VSS |
| 155 | L_WE# |
| 156 | L_OE# |
| 157 | L_ADSC# |
| 158 | L_A[16] |
| 159 | VDD (CORE) |
| 160 | L_A[15] |
| 161 | L_D[0] |
| 162 | VSS |
| 163 | L_D[1] |
| 164 | L_D[2] |
| 165 | L_D[3] |
| 166 | VDD |
| 167 | L_D[4] |
| 168 | L_D[5] |
| 169 | L_D[6] |
| 170 | L_D[7] |
| 171 | VSS (CORE) |
| 172 | L_D[8] |
| 173 | L_D[9] |
| 174 | L_D[10] |
| 175 | VDD |
| 176 | L_D[11] |
| 177 | L_D[12] |

| | |
|-----|------------|
| 178 | L_D[13] |
| 179 | L_D[14] |
| 180 | VSS |
| 181 | L_D[15] |
| 182 | L_D[16] |
| 183 | L_D[17] |
| 184 | VDD (CORE) |
| 185 | L_D[18] |
| 186 | L_D[19] |
| 187 | L_D[20] |
| 188 | L_D[21] |
| 189 | VSS |
| 190 | L_D[22] |
| 191 | L_D[23] |
| 192 | L_D[24] |
| 193 | L_D[25] |
| 194 | VDD |
| 195 | L_D[26] |
| 196 | L_D[27] |
| 197 | L_D[28] |
| 198 | VSS (CORE) |
| 199 | L_D[29] |
| 200 | L_D[30] |
| 201 | L_D[31] |
| 202 | VDD |
| 203 | L_A[18] |
| 204 | L_A[3] |
| 205 | L_A[4] |
| 206 | L_A[5] |
| 207 | VSS |
| 208 | L_A[6] |

et4U.com

DataSheet

MDS105 Block Diagram

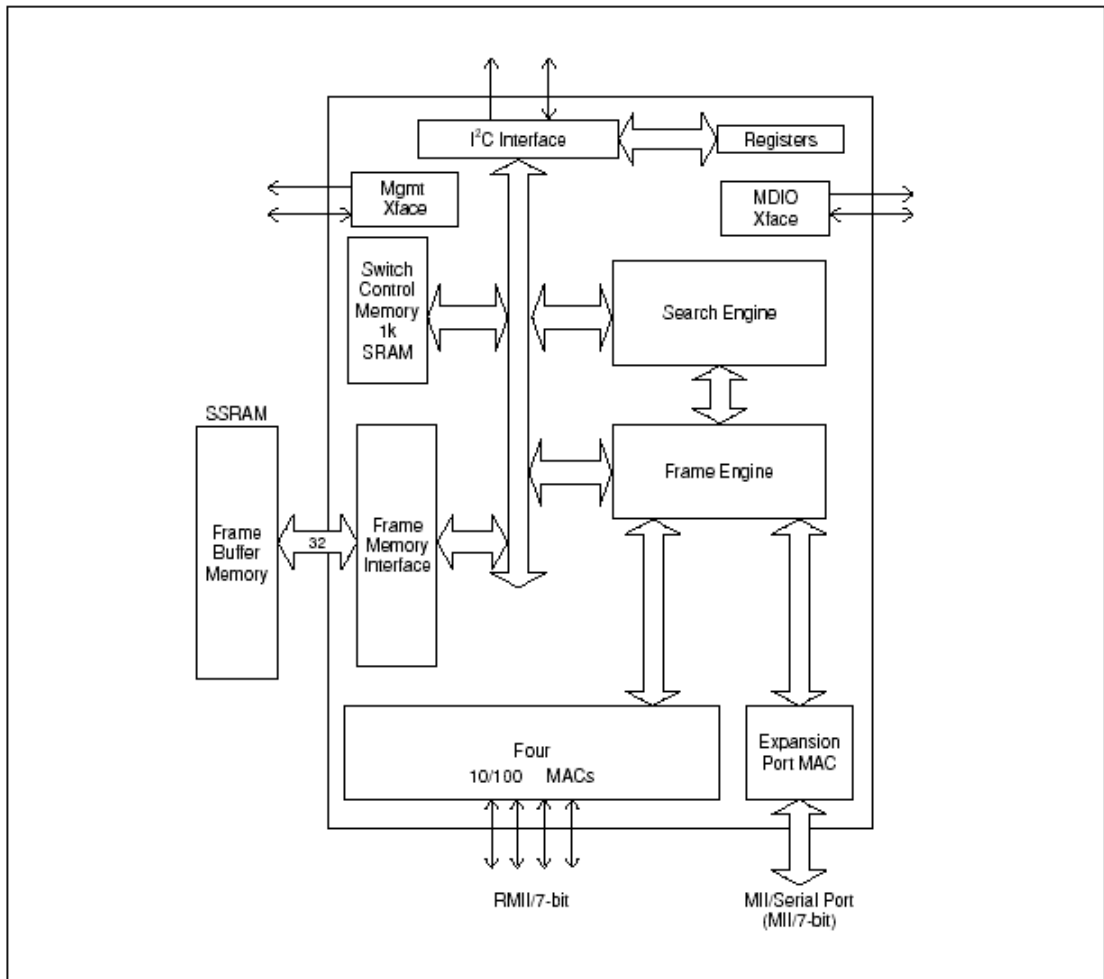


Figure 2 - MDS105 Block Diagram

1.0 Functional Operation

The MDS105 is designed to provide a cost effective layer 2 switching solution, using technology from the Zarlink family to offer a highly integrated product for the unmanaged, Differentiated Services (DS) ready, Ethernet switch market.

Five 10/100 Media Access Controllers (MAC) provide the protocol interface. These MACs perform the required packet checks to ensure that each packet that is provided to the Frame Engine has met all the IEEE 802.1 standards. Each MAC supports half duplex "back pressure," and full duplex 802.3x "PAUSE" Flow Control.

The PHY addresses for the 4 RMI MACs are from 08h to 0Bh. These four ports are denoted as ports 0 to 3. The PHY address for the uplink MAC is 10 h. This port is denoted as Port 4.

Data packets longer than 1518 (1522 with VLAN tag) bytes and shorter than 64 bytes are dropped, and the MDS105 is designed to support minimum interframe gaps between incoming packets.

The Frame Engine (FE) is the primary packet buffering and forwarding engine within the MDS105. As such, the FE controls the storage of packets into and out of the external frame buffer memory, keeps track of frame buffer availability, and schedules packet transmissions. While packet data is being buffered, the FE extracts the necessary information from each packet header and sends it to the Search Engine for processing. Search results returned to the FE initiate the scheduling of packet transmission. When a packet is chosen for transmission, the FE reads the packet from external buffer memory and places it in the output FIFO of the output port.

2.0 Address Learning and Aging

The MDS105 is able to begin address learning and packet forwarding shortly after power up is completed. The Search Engine examines the contents of its internal Switch Database Memory for each valid packet that is received on a MDS105 input port.

Unknown source and destination MAC addresses are detected when the Search Engine does not find a match within its database. These unknown source MAC addresses are learned by creating a new entry in the switch database memory, and storing the necessary resulting information in that location. Subsequent searches to a learned destination MAC address will return the new contents of that MAC Control Table (MCT) entry.

After each source address search the MCT entry aging flag is updated. MCT entries that have not been accessed during a user configurable time period (1 to 67,108 seconds) will be removed. This aging time period can be configured using the 16 bit value stored in the registers MAC Address Aging Timer Low and High (AGETIME_LOW, AGETIME_HIGH). The aging period is defined as the bit concatenation of AGETIME_HIGH with AGETIME_LOW, multiplied by 1024 ms. For example, if AGETIME_LOW = 25, and AGETIME_HIGH = 01 (in hexadecimal), then the concatenated value 125 is equal to decimal 293. Multiplying 293 by 1024 ms, we determine that the corresponding aging time is 300 ms. In fact, 300 ms is the default aging time for the MDS105.

The aging of all MCT entries is checked once during each time period. If the MCT entry has not been exercised before the end of the next time period, it will be deleted.

3.0 Quality of Service

The MDS105 applies Zarlink's architecture to provide new Quality of Service (QoS) capabilities for unmanaged switch applications. Similar to the QoS capabilities of other Zarlink chipset members, the MDS105 offers two transmit queues per output port.

The Frame Engine (FE) manages the output transmission queues for all MDS105 ports. Once the destination address search is complete, and the switch decision is sent back to the FE, the packet is inserted into the appropriate output queue. Whether the packet is inserted into a high or low priority queue is determined by either the VLAN tag information or the Type of Service/Differentiated Services (TOS/DS) field in the IP header. Either of these priority fields can be used to select the transmission priority (as per the USE_TOS bit in the FCR register).

The mapping of the priority field values into either the high or low priority queue can be configured using the MDS105 configuration registers AVPM and TOSPM.

If the system uses the TOS/DS field to prioritize packets, there are two choices regarding which bits of the TOS/DS field are used. Bits [0:2] of the TOS byte (known as the IP precedence field) or bits [3:5] of the TOS byte (known as the Delay/Throughput Reliability (DTR) field) can be used to resolve the transmission queue priority. Either bit group, [0:2] or [3:5], can also be used to resolve packet drop precedence, as per bits 6 and 7 of the register FCBST.

The MDS105 utilizes Weighted Round Robin (WRR) to schedule packets for transmission. To enable MDS105's intelligent QoS scheduling capabilities, the use of an external EEPROM to change the default register configurations is required.

Weighted Round Robin is an efficient method to ensure that each of the transmission queues receives at least a minimum service level. With two output transmission queues, the MDS105 will transmit X packets from the high priority queue before transmitting a single packet from the low priority queue. The MDS105 allows the designer to set the high priority weight X to a value between 1 and 15. If both queues contain packets, and the high priority weight is set to the value 4, then the MDS105 will transmit 4 high priority packets before transmitting each low priority packet.

The MDS105 also employs a proprietary mechanism to ensure the timely delivery of high priority packets. When the latency of high priority packets reaches a threshold, the MDS105 will override the WRR weights and transmit only high priority packets until the high priority packet delays are below the threshold. This threshold limit is 1 ms (last-in-first-out). The MDS105's proprietary scheduling algorithm is also designed to push low priority traffic through the device faster, if necessary, to unclog congested queues. Loading the appropriate values into the configuration registers enables the QoS scheduling capabilities of the MDS105. QoS for packet transmission is enabled by performing the following four steps:

1. Select the TOS/DS or VLAN Priority Tag field as the decision-maker for IP packet scheduling. The selection is made using bit 7 of the Flooding Control Register (FCR).
 - FCR[7] = 0: Use VLAN Priority Tag field to determine the transmission priority, if this Tag field exists.
 - FCR[7] = 1: Use TOS/DS field for IP packet priority resolution.
2. Select which TOS/DS subfield to use as the decision-maker for packet transmission priority if the TOS/DS field was selected in step 1. The selection is made using bit 6 of the FCB Buffer Low Threshold Register (FCBST).
 - FCBST[6] = 0: Use DTR subfield to resolve the transmission priority.
 - FCBST[6] = 1: Use IP precedence subfield¹ to resolve the transmission priority.
3. Enable QoS using bit 5 of the Transmission Scheduling Control Register (AXSC). Set the transmission queue weight for the high priority queue using bits 0 to 3.
4. Create the mapping from the value in the TOS/DS or VLAN Priority Tag field to the corresponding high or low priority output queue. The mapping is created using the VLAN Priority Map (AVPM) and TOS Priority Map (TOSPM) registers.

Note that for half duplex operation, the priority queues² must be enabled using bit 7 in the Transmission Scheduling Control (AXSC) register to use QoS scheduling.

When QoS and flow control are enabled, the MDS105 will utilize enhanced WRR to schedule packet transmission, and will use either back pressure or 802.3X flow control to handle buffer congestion. When QoS is enabled and flow control is disabled, the MDS105 will utilize enhanced WRR to schedule packet transmission, and will use Weighted Random Early Detection/Drop (WRED) to drop random packets in order to handle buffer congestion. Because of WRED, only a few packet flows are slowed down while the remaining see no impact from the network traffic congestion.

1. IP precedence and DTR subfields are referred to as TOS/DS[0:2] and TOS/DS[3:5] in the IP TOS/DS byte.

2. In Half Duplex mode, QoS scheduling functions are disabled by default.

WRED is a method of handling traffic congestion in the absence of flow control mechanisms¹. When flow control is enabled, all devices that are connected to a switch node that is exercising flow control are effectively unable to transmit, including nodes that are not directly responsible for the congestion problem. This inability to transmit during flow control periods would wreak havoc with voice packets, or other high priority packet flows, and therefore flow control is not recommended for networks that mix voice and data traffic.

WRED allows traffic to continue flowing into ports on a switch, and randomly drops packets with different probabilities based upon each packet's priority markings. As the switch congestion increases, the probability of dropping an incoming packet increases, and as congestion decreases, the probability of dropping an incoming packet decreases. Not surprisingly, packets designated high-drop are sacrificed with higher odds during congestion than packets designated low-drop.

The following table summarizes the WRED operation of the MDS105. It lists the buffer thresholds at which each drop probability takes effect.

| | WRED Threshold | | Drop Percentage | |
|---------|---|----------------------------------|--------------------------------------|-------------------------------------|
| | Condition for High Priority Queue | Condition for Low Priority Queue | Drop Percentage for High-Drop Packet | Drop Percentage for Low-Drop Packet |
| Level 0 | Total buffer space available in device is \leq LPBT | | 50% | 0% |
| Level 1 | 24 buffers occupied | 72 buffers occupied | 75% | 25% |
| Level 2 | | 84 buffers occupied | 100% | 50% |

Table 1 - WRED Operation of the MDS105

The WRED packet drop capabilities of the MDS105 are enabled by performing the following four steps:

1. Select the TOS/DS or VLAN Tag field as the decision-maker for dropping packets. The selection is made using bit 7 of the Flooding Control Register (FCR).
 - FCR[7] = 0: Use VLAN Priority Tag field to resolve the drop level, if this field exists.
 - FCR[7] = 1: Use TOS/DS field for IP packet drop level resolution.
2. Select which TOS/DS Tag subfield to use for dropping packets provided that the TOS/DS field was selected in step 1. The selection is made using bit 7 of the FCB Buffer Low Threshold Register (FCBST).
 - FCBST[7] = 0: Use DTR subfield to resolve the drop precedence.
 - FCBST[7] = 1: Use IP precedence subfield to resolve the drop precedence.
3. Create the mapping from the values in the TOS DS or VLAN Tag field to the packet flags representing high or low drop precedence. The mapping is created using the VLAN Discard Map (AVDM) and TOS Discard Map (TOSDM) registers.
4. Make sure that the desired ports are flow control disabled, using the ECR1Px registers.

Note that to apply the WRED QoS function of the MDS105, flow control must be disabled.

1. Flow control, of course, provides the advantage of not dropping packets. However, its primary disadvantage is that a flow controlled port may experience head-of-line blocking. This means that if even 1 packet is destined to a congested output port, then all other packets originating from the same source may, in the worst case, be delayed – even if these other packets have uncongested destinations. On the other hand, WRED may cause some packet loss, but with no such head-of-line blocking problem. Which method of handling traffic congestion should be chosen will depend on the application.

3.1 A Few Examples

- **No QoS Scheduling Desired At All.** The default setting for the MDS105 is no QoS scheduling at all. Packets are transmitted using a simple first-in-first-out (FIFO) approach, without the reordering that would result from prioritization. All destinations use 1 queue only. QoS scheduling can be disabled for the entire chip using AXSC[5].
- **No QoS Scheduling Desired for Half Duplex Ports.** It is possible to disable QoS for half duplex ports in the MDS105. Indeed, this is the default setting, because it is difficult to assure quality of service for half duplex ports, which tend to experience unpredictable delay. All destinations configured as half duplex use 1 transmission queue only in this setting. QoS scheduling can be disabled for all half duplex ports using AXSC[7].
- **QoS Scheduling for Some Destinations, But Not Others.** The MDS105 does not support this feature. The three options offered are: (a) all ports are QoS-enabled, (b) no ports are QoS-enabled, and (c) only full duplex ports are QoS-enabled. Of course, the MDS105 will still exhibit single-queue scheduling at a port if all packets destined for it are marked with a single transmission priority.
- **No Flow Control Desired.** It is possible to disable flow control for the entire chip, regardless of the individual port settings. During congestion, some packets will be lost. This capability is located in AXSC[6].
- **Flow Control Desired for Some Sources, But Not Others.** By configuring each port separately using bit 0 in the ECR1Px registers, one may enable flow control for some ports, but not others. Flow control cannot be globally disabled in AXSC[6] if this function is to be achieved. At a congested destination, an incoming packet from a flow control enabled source will trigger a flow control message sent back to that source. On the other hand, an incoming packet from a flow control disabled source may or may not be dropped, as per WRED, but will never trigger flow control.
- **Scheduling vs. Dropping.** Using the configuration registers in the MDS105, as in earlier examples, a port may or may not have flow control enabled, and a port may or may not have QoS scheduling enabled. All four combinations are permissible parameter settings, and which one is chosen depends on application. In one common application, suppose voice, critical data and web traffic packets originate from the same set of input ports, and are destined for the same set of output ports. The MDS105's enhanced WRR scheduling can be used to ensure a delay bound for the voice packets. Furthermore, because we want to guarantee that web traffic congestion does not block critical data or voice, we must disable flow control and use WRED to intelligently drop packets.

On the other hand, if the goal were file transfer without any packet dropping, one would enable the MDS105's flow control function, which halts incoming traffic when the system is congested. QoS scheduling can be disabled, both because flow control may make quality of service unpredictable, and because, in any case, delay is not critical in this application.

3.2 Port-Based Prioritization

Some applications may require an explicit prioritization of packets based upon the port the packet originates from. Defining specific ports of a switch to be IP Phone ports is a specific example that makes use of MDS105's ability to assign default priorities to ports.

The MDS105 can be configured to provide specific priority definitions on up to two ports (ports 0 – 1). These user defined port priorities override the packet priority markings (VLAN tag or TOS/DS), and the new priority is applied to all packets that enter the switch from that port. These port priority definitions are configured in the Port Priority (PTPRI) register. There are two bits for each of the two ports that can support port-based priorities. The EN bit allows the designer to turn on port priorities for each port, and the P bit allows the designer to select either high (1) or low (0) transmission priority for all packets that enter the switch through that port.

When port priorities are enabled, the remaining ports will provide QoS based upon the VLAN Tag or TOS DS field mappings in the configuration registers. Only those ports that have port priorities enabled will override the priority mappings.

4.0 Buffer Management

The MDS105 stores each input packet into the external frame buffer memory while determining the destination the packet is to be forwarded to. The total number of packets that can be stored in the frame buffer memory depends upon the size of the external SDRAM that is utilized. For a 256 KB SDRAM the MDS105 can buffer 170 packets. For a 512 KB SDRAM the MDS105 can buffer 340 packets.

In order to provide good quality of service characteristics, the MDS105 must carefully allocate the available buffer space. Such careful allocation can be accomplished using the external EEPROM to load the appropriate values into the MDS105 configuration registers. The Low-Drop Precedence Buffer Threshold (LPBT) register assures that traffic designated as low-drop actually receives reserved buffer space. The designer can set the minimum number of buffers reserved for low-drop unicast traffic, by setting this register with a value between 0 and 255. Unreserved buffers are treated as shared, and are accessible to all types of incoming traffic.

To set the maximum number of buffers permitted for all multicast packets, use the Multicast Buffer Control Register (MBCR). Unlike the LPBT register, the MBCR register does not define a reserved area of buffer memory, but instead provides a bound on the number of multicast packets that can be buffered at any one time.

During operation the MDS105 will continuously monitor the amount of frame buffer memory that is available, and when the unused buffer space falls below a designer configurable threshold, the MDS105 will initiate flow control if enabled or WRED if not. This threshold is set using the FCB Buffer Low Threshold (FCBST) register.

5.0 Virtual LANs

The MDS105 provides the designer the ability to define a single port-based Virtual LAN (VLAN) for each of the five ports. This VLAN is individually defined for each port using the Port Control Registers (ECR1Px[6:4]). Bits [6:4] allow the designer to define a VLAN ID (value between 0 – 3) for each port.

When packets arrive at an input of the MDS105, the search engine will determine the VLAN ID for that port, and then determine which of the other ports are also members of that VLAN by matching their assigned VLAN ID values. The packet will then be transmitted to each port with the same VLAN ID as the source port.

6.0 Port Trunking

Port trunking allows the designer to configure the MDS105, such that ports 0 and 1 are defined as a single logical port. This provides a 200 Mbps link to a switch or server utilizing two 100 Mbps ports in parallel.

Ports 0 and 1 can be trunked by pulling the TRUNK_EN pin to the high state. In this mode, the source MAC addresses of all packets received from the trunk are checked against the MCT database to ensure that they have a port ID of 0 or 1. Packets that have a port ID other than 0 and 1 will cause the MDS105 to learn the new MAC address for this port change.

On transmission, the trunk port is determined by hashing the source and destination MAC addresses. This provides a mapping between each MAC address and an associated trunk port. Subsequent packets with the same MAC address will always utilize the same trunk port.

The MDS105 also provides a safe fail-over mode for port trunking. If one of the two ports goes down, as identified by the port's link status signal, then the MDS105 will switch all traffic over to the remaining port in the trunk. Thus, the trunk link is maintained, albeit at a lower effective bandwidth.

7.0 Port Mirroring

Utilizing the 4 port mirroring control pins provides the ability to enable or disable port mirroring, select which of the remaining 3 ports is to be mirrored, and choose whether the receive or transmit data is being mirrored. The control for this function is shown in the following table.

| Mirrored Port | Mirror_Control [3] | Mirror_Control [2] | Mirror_Control [1] | Mirror_Control [0] |
|---------------|--------------------|--------------------|--------------------|--------------------|
| Port 0 RX | 1 | 0 | 0 | 0 |
| Port 0 TX | 0 | 0 | 0 | 0 |
| Port 1 RX | 1 | 0 | 0 | 1 |
| Port 1 TX | 0 | 0 | 0 | 1 |
| Port 2 RX | 1 | 1 | 1 | 0 |
| Port 2 TX | 0 | 1 | 1 | 0 |
| Disabled | 0/1 | 1 | 1 | 1 |

Table 2 - Port Mirroring Configuration

When enabled, port mirroring will allow the user to monitor traffic going through the switch on output Port 3. If the port mirroring control pins MIR_CTL[3:0] are left floating, the MDS105 will operate with the port mirroring function disabled.

When port mirroring is enabled, the user must configure Port 3 to operate in the same mode as the port it is mirroring (autonegotiation, duplex, speed, flow control).

DataSheet4U.com

8.0 Power Saving Mode in MAC

The MDS105 was designed to be power efficient. When the internal MAC sections detect that the external port is not receiving or transmitting packets, it will shut off and conserve power. When new packet data is loaded into the output transmit FIFO of a MAC in power saving mode, the MAC will return to life and begin operating immediately.

When the MAC is in power saving mode and new packet data is received on the RMII, the MAC will return to life and receive data normally into the receive FIFO. This wakeup occurs when the MAC sees the Carrier Sense Data Valid (CRS_DV) signal asserted.

Using this method, the switch will turn off all MAC sections during periods when there is no network activity (at night, for example), and save power. For large networks this power savings could be large. To achieve the maximum power efficiency, the designer should use a physical layer transceiver that utilizes "Wake-On-LAN" technology.

9.0 EEPROM I²C Interface

A simple 2 wire serial interface is provided to allow the configuration of the MDS105 from an external EEPROM. The MDS105 utilizes a 1 K bit EEPROM with an I²C interface.

10.0 Management Interface

The MDS105 uses a standard parallel port interface to provide external CPU access to the internal registers. This parallel interface is composed of 3 pins: DATA0, STROBE, and ACK. The DATA0 pin provides the address and data content input to the MDS105, while the ACK pin provides the corresponding output to the external CPU. The STROBE pin is provided as the clock for both serial data streams. Any of the MDS105 internal registers can be modified through this parallel port interface¹.

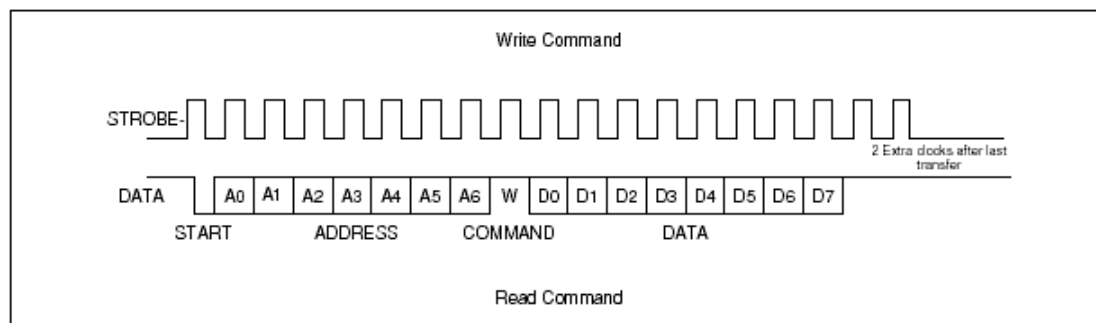


Figure 3 - Write Command

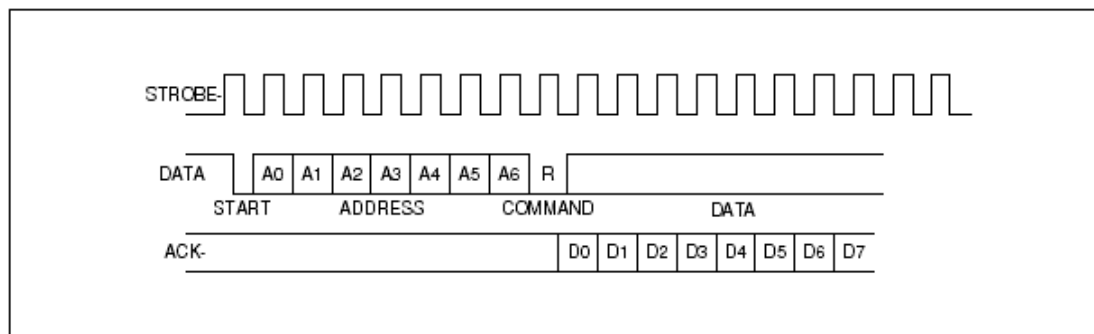


Figure 4 - Read Command

Each management interface transfer consists of four parts:

1. A START pulse – occurs when DATA is sampled high when STROBE is rising followed by DATA being sampled low when STROBE falls.
2. Register address strobed into DATA0 pin, using the high level of the STROBE pin.
3. Either a read or write command (see waveforms above).
4. Data to be written provided on DATA0, or data to be read provided on ACK.

Any command can be aborted in the middle by sending an ABORT pulse to the MDS105. An ABORT pulse occurs when DATA is sampled low and STROBE is rising, followed by DATA being sampled high when STROBE falls.

¹ The 3-bit parallel interface is not "parallel" in the usual sense of the word; it is actually a synchronous serial architecture. However, the MDS105 management interface adheres to IEEE 1284 parallel port standards.

11.0 Configuration Register Definitions

The MDS105 registers can be accessed via the parallel interface and/or the I²C interface. Some registers are only accessible through the parallel interface. The access method for each register is listed in the individual register definitions. Each register is 8 bits wide.

11.1 GCR - Global Control Register

- Access: parallel interface, Write Only
- Address: h30

| | | |
|-----------|---|---------------|
| Bit 0 | Save configuration into EEPROM Write '1' followed by a '0' | (Default = 0) |
| Bit 1 | Save configuration into EEPROM and reset system Write '1' (self-clearing due to reset) | (Default = 0) |
| Bit 2 | Start Built-In Self-Test (BIST) Write '1' followed by a '0' | (Default = 0) |
| Bit 3 | Reset system Write '1' (self-clearing due to reset) | (Default = 0) |
| Bit [7:4] | Reserved | |

11.2 DCR - Device Status and Signature Register

- Access: parallel interface, Read Only
- Address: h31

| | |
|------------|---|
| Bit 0 | Busy writing configuration from I ² C 1: Activity 0: No Activity |
| Bit 1 | Busy reading configuration from I ² C 1: Activity 0: No Activity |
| Bit 2 | Built-In Self-Test (BIST) in progress 1: BIST In-Progress 0: Normal Mode |
| Bit 3 | RAM error during BIST 1: RAM Error 0: No Error |
| Bits [5:4] | Reserved |
| Bits [7:6] | Revision number 00: Initial Silicon 01: Second Silicon |

11.3 DA – DA Register

- Access: parallel interface, Read Only
- Address: h36

Returns 8 bit value DA (hexadecimal) if the parallel port connection is good. Otherwise, returns some other value indicating failure.

11.4 MBCR – Multicast Buffer Control Register

- Access: parallel interface and I²C, Read/Write
- Address: h00

| | | | |
|-----------|-------------|---|----------------|
| Bit [7:0] | MAX_CNT_LMT | Maximum number of multicast frames allowed to be buffered inside the device at any one time | (Default = 80) |
|-----------|-------------|---|----------------|

11.5 FCBST – FCB Buffer Low Threshold

- Access: parallel interface and I²C, Read/Write
- Address: h01

| | | | |
|------------|------------|---|----------------|
| Bits [5:0] | BUF_LOW_TH | Buffer Low Threshold – the number of free buffers below which flow control or WRED is triggered | (Default = 3F) |
| Bit 6 | | Use IP precedence subfield (TOS[0:2]) for Transmission Priority | (Default = 0) |
| Bit 7 | | Use IP precedence subfield (TOS[0:2]) for Drop Level | (Default = 0) |

Note that, for Bits 6 and 7, Default = 0 means to use TOS[3:5].

11.6 LPBT – Low Drop Precedence Buffer Threshold

- Access: parallel interface and I²C, Read/Write
- Address: h02

| | | | |
|------------|--------------|---|--------------|
| Bits [7:0] | LOW_DROP_CNT | Number of frame buffers reserved for low-drop traffic | (Default 3F) |
|------------|--------------|---|--------------|

11.7 FCR – Flooding Control Register

- Access: parallel interface and I²C, Read/Write
- Address: h03

| | | | |
|------------|----------|---|-----------------|
| Bits [3:0] | U2MR | Maximum number of flooded frames allowed within any time interval indicated by TimeBase bits (violations are discarded) | (Default = 8) |
| Bits [6:4] | TimeBase | 000 = 100 μs 001 = 200 μs 010 = 400 μs 011 = 800 μs 100 = 1.6 μs 101 = 3.2 μs 110 = 6.4 μs 111 = 100 μs | (Default = 000) |
| Bit 7 | USE_TOS | Use TOS instead of VLAN priority for IP packet | (Default = 0) |

11.8 AVTCL – VLAN TYPE CODE REGISTER LOW

- Access: parallel interface and I²C, Read/Write
- Address: h04

| | | | |
|-----------|--------------|--------------------------------|----------------|
| Bit [7:0] | VLANType_LOW | Lower 8 bits of VLAN type code | (Default = 00) |
|-----------|--------------|--------------------------------|----------------|

11.9 AVTCH – VLAN Type Code Register High

- Access: parallel interface and I²C, Read/Write
- Address: h05

| | | | |
|-----------|---------------|--------------------------------|--------------|
| Bit [7:0] | VLANType_HIGH | Upper 8 bits of VLAN type code | (Default 81) |
|-----------|---------------|--------------------------------|--------------|

11.10 AVPM – VLAN Priority Map

- Access: parallel interface and I²C, Read/Write
- Address: h06

Map VLAN tag into 2 transmit queues (0 = low priority, 1 = high priority)

| | | |
|-------|--------------------------------|-------------|
| Bit 0 | Mapped priority of tag value 0 | (Default 0) |
| Bit 1 | Mapped priority of tag value 1 | (Default 0) |
| Bit 2 | Mapped priority of tag value 2 | (Default 0) |
| Bit 3 | Mapped priority of tag value 3 | (Default 0) |
| Bit 4 | Mapped priority of tag value 4 | (Default 0) |
| Bit 5 | Mapped priority of tag value 5 | (Default 0) |
| Bit 6 | Mapped priority of tag value 6 | (Default 0) |
| Bit 7 | Mapped priority of tag value 7 | (Default 0) |

11.11 AVDM – VLAN Discard Map

- Access: parallel interface and I²C, Read/Write
- Address: h07

Map VLAN tag into frame discard levels (0 = low drop, 1 = high drop).

| | | |
|-------|-------------------------------|-------------|
| Bit 0 | Frame discard for tag value 0 | (Default 0) |
| Bit 1 | Frame discard for tag value 1 | (Default 0) |
| Bit 2 | Frame discard for tag value 2 | (Default 0) |
| Bit 3 | Frame discard for tag value 3 | (Default 0) |
| Bit 4 | Frame discard for tag value 4 | (Default 0) |
| Bit 5 | Frame discard for tag value 5 | (Default 0) |
| Bit 6 | Frame discard for tag value 6 | (Default 0) |
| Bit 7 | Frame discard for tag value 7 | (Default 0) |

11.12 TOSPM – TOS Priority Map

- Access: parallel interface and I²C, Read/Write
- Address: h08

Map TOS field in IP packet into 2 transmit queues (0 = low priority, 1 = high priority).

| | | |
|-------|--|-------------|
| Bit 0 | Mapped priority when TOS is 0 | (Default 0) |
| Bit 1 | Mapped priority when TOS is 1 ¹ | (Default 0) |
| Bit 2 | Mapped priority when TOS is 2 | (Default 0) |
| Bit 3 | Mapped priority when TOS is 3 | (Default 0) |
| Bit 4 | Mapped priority when TOS is 4 | (Default 0) |
| Bit 5 | Mapped priority when TOS is 5 | (Default 0) |
| Bit 6 | Mapped priority when TOS is 6 | (Default 0) |
| Bit 7 | Mapped priority when TOS is 7 | (Default 0) |

1. TOS = 1 means the appropriate 3 bit TOS subfield is "001".

11.13 PTPRI – Port Priority

- Access: parallel interface and I²C, Read/Write
- Address: h09

Enable and configure port-based priorities for Ports 0, and 1

| | | | |
|---------|----------|-------------------------------------|-------------|
| Bit 0 | EN0 | Port 0: Enable; 1 = enabled | (Default 0) |
| Bit 1 | P0 | Port 0: Priority; 1 = high, 0 = low | (Default 0) |
| Bit 2 | EN1 | Port 1: Enable; 1 = enabled | (Default 0) |
| Bit 3 | P0 | Port 1: Priority; 1 = high, 0 = low | (Default 0) |
| Bit 7:4 | Reserved | | |

www.DataSheet4U.com

11.14 TOSDM – TOS Discard Map

- Access: parallel interface and I²C, Read/Write
- Address: h0A

Map TOS into frame discard levels (0 = low-drop, 1 = high-drop).

| | | |
|-------|-----------------------------|-------------|
| Bit 0 | Frame discard when TOS is 0 | (Default 0) |
| Bit 1 | Frame discard when TOS is 1 | (Default 0) |
| Bit 2 | Frame discard when TOS is 2 | (Default 0) |
| Bit 3 | Frame discard when TOS is 3 | (Default 0) |
| Bit 4 | Frame discard when TOS is 4 | (Default 0) |
| Bit 5 | Frame discard when TOS is 5 | (Default 0) |
| Bit 6 | Frame discard when TOS is 6 | (Default 0) |
| Bit 7 | Frame discard when TOS is 7 | (Default 0) |

11.15 AXSC – Transmission Scheduling Control Register

- Access: parallel interface and I²C, Read/Write
- Address: h0B

| | | |
|------------|--|-------------|
| Bits [3:0] | Transmission Queue Service Weight for high priority queue | (Default F) |
| Bit [5] | Global Quality of Service Enable | (Default 0) |
| Bit [6] | Global Flow Control Disable – if 1, flow control is disabled globally; if 0, each port's flow control settings are separately configurable | (Default 0) |
| Bit [7] | Half Duplex Priority Enable – if 0, priority is disabled for all half duplex ports; if 1, priority is enabled unless AXSC[5] = 0 | (Default 0) |

11.16 MII_OP0 – MII Register Option 0

- Access by parallel interface and I²C, Read/Write
- Address: h0C

Permits a non-standard address for the Phy Status Register. When low and high Address bytes are 0, the MDS108 will use the standard address.

| | | |
|-----------|------------------------|--------------|
| Bit [7:0] | Low order address byte | (Default 00) |
|-----------|------------------------|--------------|

11.17 MII_OP1 – MII Register Option 1

- Access: parallel interface and I²C, Read/Write
- Address: h0D

Bit [7:0] High order address byte (Default 00)

11.18 AGETIME_LOW – MAC Address Aging Timer Low

- Access: parallel interface and I²C, Read/Write
- Address: h0E

Bit [7:0] Low byte of the MAC address aging timer (Default 25)

11.19 AGETIME_HIGH – MAC Address Aging Timer High

- Access: parallel interface and I²C, Read/Write
- Address: h0F

Bit [7:0] High byte of the MAC address aging timer. (Default 01)

The aging time is based on the following formula:
 {AGETIME_HIGH, AGETIME_LOW} x 1024 ms

The default setting provides
 a 300 second aging time.

11.20 ECR1P0 – Port 0 Control Register

- Access: parallel interface and I²C, Read/Write
- Address: h10

Bits [3:0] Port Mode (Default 0000)

Bit [3] 1 – Force configuration based on Bits [2:0]
 0 – Autonegotiate and advertise based on Bits [2:0]

Bit [2] 1 – 10 Mbps
 0 – 100 Mbps

Bit [1] 1 – Half Duplex
 0 – Full Duplex

Bit [0] 1 – Flow Control Off
 0 – Flow Control On

Bits [6:4] PVID Port-based VLAN ID (Default 000)

Bit [7] Reserved

11.21 ECR1P1 – Port 1 Control Register

- Access: parallel interface and I²C, Read/Write
- Address: h11

| | | | |
|------------|-----------|--|----------------|
| Bits [3:0] | Port Mode | | (Default 0000) |
| Bit [3] | | 1 – Force configuration based on Bits [2:0] 0 – Autonegotiate and advertise based on Bits [2:0] | |
| Bit [2] | | 1 – 10 Mbps 0 – 100 Mbps | |
| Bit [1] | | 1 – Half Duplex 0 – Full Duplex | |
| Bit [0] | | 1 – Flow Control Off 0 – Flow Control On | |
| Bits [6:4] | PVID | Port-based VLAN ID | (Default 000) |
| Bit [7] | Reserved | | |

11.22 ECR1P2 – Port 2 Control Register

- Access: parallel interface and I²C, Read/Write
- Address: h12

| | | | |
|------------|-----------|--|----------------|
| Bits [3:0] | Port Mode | | (Default 0000) |
| Bit [3] | | 1 – Force configuration based on Bits [2:0] 0 – Autonegotiate and advertise based on Bits [2:0] | |
| Bit [2] | | 1 – 10 Mbps 0 – 100 Mbps | |
| Bit [1] | | 1 – Half Duplex 0 – Full Duplex | |
| Bit [0] | | 1 – Flow Control Off 0 – Flow Control On | |
| Bits [6:4] | PVID | Port-based VLAN ID | (Default 000) |
| Bit [7] | Reserved | | |

11.23 ECR1P3 – Port 3 Control Register

- Access: parallel interface and I²C, Read/Write
- Address: h13

| | | | |
|------------|-----------|--|----------------|
| Bits [3:0] | Port Mode | | (Default 0000) |
|------------|-----------|--|----------------|

| | | | |
|------------|----------|--|---------------|
| Bit [3] | | 1 – Force configuration based on Bits [2:0] 0 – Autonegotiate and advertise based on Bits [2:0] | |
| Bit [2] | | 1 – 10 Mbps 0 – 100 Mbps | |
| Bit [1] | | 1 – Half Duplex 0 – Full Duplex | |
| Bit [0] | | 1 – Flow Control Off 0 – Flow Control On | |
| Bits [6:4] | PVID | Port-based VLAN ID | (Default 000) |
| Bit [7] | Reserved | | |

11.24 ECR1P4 – Port 4 Control Register

- Access: parallel interface and I²C, Read/Write
- Address: h14

| | | | |
|------------|-----------|--|----------------|
| Bits [3:0] | Port Mode | | (Default 0000) |
| Bit [3] | | 1 – Force configuration based on Bits [2:0] 0 – Autonegotiate and advertise based on Bits [2:0] | |
| Bit [2] | | 1 – 10 Mbps 0 – 100 Mbps | |
| Bit [1] | | 1 – Half Duplex 0 – Full Duplex | |
| Bit [0] | | 1 – Flow Control Off 0 – Flow Control On | |
| Bits [6:4] | PVID | Port-based VLAN ID | (Default 000) |
| Bit [7] | Reserved | | |

11.25 FC_0 – Flow Control Byte 0

- Access: parallel interface and I²C, Read/Write
- Address: h19

The flow control hold time parameter is the length of time a flow control message is effectual (i.e. halts incoming traffic) after being received. The hold time is measured in units of “slots,” the time it takes to transmit 64 bytes at wire-speed. The default setting is 32 slots, or for a 100 Mbps port, approximately 164 ms.

| | | |
|------------|-------------------------------|--------------|
| Bits [7:0] | Flow control hold time byte 0 | (Default FF) |
|------------|-------------------------------|--------------|

11.26 FC_1 – Flow Control Byte 1

- Access: parallel interface and I²C, Read/Write
- Address: h1A

Bits [7:0] Flow control hold time byte 1 (Default 00)

11.27 FC_2 – Flow Control CRC Byte 0

- Access: parallel interface and I²C, Read/Write
- Address: h1B

Bits [7:0] Flow control frame CRC byte 0 (Default 96)

11.28 FC_3 – Flow Control CRC Byte 1

- Access: parallel interface and I²C, Read/Write
- Address: h1C

Bits [7:0] Flow control frame CRC byte 1 (Default 8E)

11.29 FC_4 – Flow Control CRC Byte 2

- Access: parallel interface and I²C, Read/Write
- Address: h1D

Bits [7:0] Flow control frame CRC byte 2 (Default 99)

11.30 FC_5 – Flow Control CRC Byte 3

- Access: parallel interface and I²C, Read/Write
- Address: h1E

Bits [7:0] Flow control frame CRC byte 3 (Default 9A)

11.31 CHECKSUM - EEPROM Checksum

- Access: parallel interface and I²C, Read/Write
- Address: h24

The calculation is $[0x100 - ((\text{sum of registers } 0x00\sim 0x23) \& 0xFF)]$. For example, based on the default register settings, the CHECKSUM value would be 0xEE.

Bits [7:0] Checksum (Default 00)

12.0 MDS105 Pin Descriptions

Note:

| | |
|-------|-----------------------------------|
| # | Active low signal |
| I | Input signal |
| S | Input signal with Schmitt-Trigger |
| O | Output signal |
| OD | Open-Drain driver |
| I/O | Input & Output signal |
| SL | Slew Rate Controlled |
| D | Pulldown |
| U | Pullup |
| 5 5 V | Tolerance |

| Pin No(s). | Symbol | Type | Name & Functions |
|--|-------------|---------------|--|
| Frame Buffer Memory Interface | | | |
| 201, 200, 199, 197, 196, 195, 193, 192, 191, 190, 188, 187, 186, 185, 183, 182, 181, 179, 178, 177, 176, 174, 173, 172, 170, 169, 168, 167, 165, 164, 163, 161 | L_D[31:0] | I/O, U, SL | Databus to Frame Buffer Memory |
| 203, 151, 158, 160, 10, 9, 8, 6, 5, 4, 2, 1, 208, 206, 205, 204, 150 | L_A[18:2] | I/O, U, SL | Address pins for buffer memory |
| 153 | L_CLK | O | Frame Buffer Memory Clock |
| 155 | L_WE# | O, SL | Frame Buffer Memory Write Enable |
| 156 | L_OE# | O | Frame Buffer Memory Output Enable |
| 157 | L_ADSC# | O, SL | Frame Buffer Memory Address Status Control |
| MII Management Interface | | | |
| 120 | M_MDC | O | MII Management Data Clock |
| 122 | M_MDIO | I/O, U | MII Management Data I/O |
| I²C Interface (Serial EEPROM Interface) | | | |
| 123 | SCL | O, U, 5 | I ² C Data Clock |
| 124 | SDA | I/O, U, OD, 5 | I ² C Data I/O |
| Parallel Port Management Interface | | | |
| 127 | STROBE | I, U, S, 5 | Strobe Pin |
| 128 | DATA0 | I, U, 5 | Data Pin |
| 129 | ACK | O, U, OD, 5 | Acknowledge Pin |
| Port 0 RMII Interface | | | |
| 24, 23 | M0_RXD[1:0] | I, U | Port 0 Receive Data |
| 22 | M0_CRSDV | I, D | Port 0 Carrier Sense and Data Valid |
| 21, 20 | M0_TXD[1:0] | O | Port 0 Transmit Data |
| 19 | M0_TXEN | O | Port 0 Transmit Enable |
| Port 1 RMII Interface | | | |
| 31, 30 | M1_RXD[1:0] | I, U | Port 1 Receive Data |

| Pin No(s). | Symbol | Type | Name & Functions |
|-----------------------------------|-------------|--------|---|
| 29 | M1_CRS_DV | I, D | Port 1 Carrier Sense and Data Valid |
| 28, 27 | M1_TXD[1:0] | O | Port 1 Transmit Data |
| 26 | M1_TXEN | O | Port 1 Transmit Enable |
| Port 2 RMII Interface | | | |
| 79, 78 | M2_RXD[1:0] | I, U | Port 2 Receive Data |
| 77 | M2_CRS_DV | I, D | Port 2 Carrier Sense and Data Valid |
| 76, 75 | M2_TXD[1:0] | O | Port 2 Transmit Data |
| 74 | M2_TXEN | O | Port 2 Transmit Enable |
| Port 3 RMII Interface | | | |
| 86, 85 | M3_RXD[1:0] | I, U | Port 3 Receive Data |
| 84 | M3_CRS_DV | I, D | Port 3 Carrier Sense and Data Valid |
| 83, 82 | M3_TXD[1:0] | O | Port 3 Transmit Data |
| 81 | M3_TXEN | O | Port 3 Transmit Enable |
| Port 4 MII Interface | | | |
| 105, 104, 103, 102 | M4_RXD[3:0] | I, U | Port 4 Receive Data |
| 113, 112, 111, 110 | M4_TXD[3:0] | O | Port 4 Transmit Data |
| 109 | M4_TXEN | O | Port 4 Transmit Enable |
| 97 | M4_RXDV | I, D | Port 4 Receive Data Valid |
| 100 | M4_RXCLK | I, U | Port 4 Receive Clock |
| 107 | M4_TXCLK | I/O, U | Port 4 Transmit Clock |
| 114 | M4_LINK | I, U | Port 4 Link Status |
| 116 | M4_SPEED | I/O, U | Port 4 Speed Select (100 Mb = 1) |
| 115 | M4_DUPLEX | I, U | Port 4 Full-Duplex Select (half-duplex = 0) |
| 98 | M4_COL | I, U | Port 4 Collision Detect |
| Port 4 Serial Interface | | | |
| 102 | S4_RXD | I, U | Port 4 Serial Receive Data |
| 100 | S4_RXCLK | I, U | Port 4 Serial Receive Clock |
| 97 | S4_CRS_DV | I, D | Port 4 Serial Carrier Sense and Data Valid |
| 110 | S4_TXD | O | Port 4 Serial Transmit Data |
| 107 | S4_TXCLK | I | Port 4 Serial Transmit Clock |
| 109 | S4_TXEN | O | Port 4 Serial Transmit Enable |
| 98 | S4_COL | I, U | Port 4 Serial Collision Detect |
| 114 | S4_LINK | I, U | Port 4 Link Status |
| 115 | S4_DUPLEX | I, U | Port 4 Full-Duplex Select (half-duplex = 0) |
| Miscellaneous Control Pins | | | |
| 95 | M_CLK | I | Reference RMII Clock |
| 118 | M4_REFCLK | O, U | Port 4 Reference Clock (M_CLK/2) |
| 148 | SCLK | I | System Clock (25 - 50 MHz) |
| 125 | TEST# | I, U | Manufacturing Pin Leave as No Connect (NC) |

| Pin No(s). | Symbol | Type | Name & Functions |
|--|--------------|--------|--|
| 126 | TRUNK_EN | I, D | Port Trunking Enable |
| 146, 145, 144, 143 | MIR_CTL[3:0] | I/O, U | Port Mirroring Control |
| 142 | RESIN# | I, S | Reset Pin |
| 141 | RESETOUT# | O | PHY Reset Pin |
| Test Pins | | | |
| 139 | TMODE# | I/O, U | Manufacturing Pin. Puts device into test mode for ATE test. Leave as No Connect (NC). |
| 138, 137, 136, 135 | TSTOUT[7:4] | O | Test Outputs |
| 134, 133, 132, 131 | TSTOUT[3:0] | I/O, U | Test Outputs |
| NC Pins | | | |
| 12, 13, 14, 15, 16, 17, 33, 34, 35, 36, 37, 38, 40, 41, 42, 43, 44, 45, 47, 48, 49, 50, 51, 52, 53, 54, 55, 56, 57, 58, 60, 61, 62, 63, 64, 65, 67, 68, 69, 70, 71, 72, 88, 89, 90, 91, 92, 93 | N/C Reserved | | No Connect |
| Power Pins | | | |
| 3, 39, 73, 96, 130, 159, 184 | VDD (Core) | Input | +3.3 Volt DC Supply for Core Logic (7 pins) |
| 11, 25, 59, 87, 101, 108, 119, 147, 152, 166, 175, 194, 202 | VDD | Input | +3.3 Volt DC Supply for I/O Pads (13 pins) |
| 18, 46, 80, 106, 140, 171, 198 | VSS (Core) | Input | Ground for Core Logic (7 pins) |
| 7, 32, 66, 94, 99, 117, 121, 149, 154, 162, 180, 189, 207 | VSS | Input | Ground for I/O Pads (13 pins) |

12.1 Strap Options

The Strap options are relevant during the initial power-on period, when reset is asserted. During reset, the MDS105 will examine the boot strap address pin to determine its value and modify the internal configuration of the chip accordingly.

“1” means Pull-up

“0” means Pull-down with an external 1 K Ohm

Default value is 1, (all boot strap pins have internal pull-up resistor).

| Pin No(s). | Symbol | Name & Functions |
|------------------------|-------------------|---|
| Boot Strap Pins | | |
| 206 (L_A[5]) | Memory Size | 1 - Memory size = 256 KB 0 - Memory size = 512 KB |
| 208 (L_A [6]) | EEPROM | 1 - NO EEPROM Installed 0 - EEPROM Installed ¹ |
| 151 (L_A[17]) | Port 4 MII/Serial | 1 - MII Mode for port 4 0 - Serial mode for port 4 |
| 150 (L_A[2]) | Link Polarity | Link Polarity for serial interface 1 - Active Low 0 - Active High |
| 204 (L_A[3]) | FDX Polarity | Full/Half Duplex Polarity for serial interface 1 - Active Low 0 - Active High |
| 205 (L_A[4]) | SPD100 Polarity | Speed polarity for serial interface 1 - Active Low 0 - Active High |
| 133 (TST[2]) | SBRAM Self Test | For Board/System Manufacturing Test ² 1 - Disable 0 - Enable |

1. If the MDS105 is configured from EEPROM preset (L_A[6] pulled down at reset), it will try to load its configuration from the EEPROM. If the EEPROM is blank or not preset, it will not boot up. The parallel port can be used to program the EEPROM at any time.

2. During normal power-up, the MDS105 will run through an external SBRAM memory test to ensure that there are no memory interface problems. If a problem is detected, the chip will stop functioning. To facilitate board debug in the event that a system stops functioning, the MSD105 can be put into a continuous SBRAM self test mode to allow an operator to determine if there are stuck pins in the memory interface (using network analyzer).

13.0 Characteristics and Timing

13.1 Absolute Maximum Rating

| | |
|--|------------------------|
| Storage Temperature | -65°C to +150°C |
| Operating Temperature | -40°C to +85°C |
| Maximum Junction Temperature | +125°C |
| Supply Voltage VDD with Respect to Vss | +3.0 V to +3.6 V |
| Voltage on 5V Tolerant Input Pins | -0.5 V to (VDD +3.3 V) |
| Voltage on Other Pins | -0.5 V to (VDD +0.3 V) |

Caution: Stresses above those listed may cause permanent device failure. Functionality at or above these limits is not implied. Exposure to the absolute Maximum Ratings for extended Ratings for extended periods may affect device reliability.

13.2 DC Electrical Characteristics

VDD = 3.0 V to 3.6 V (3.3v +/- 10%) T_{AMBIENT} = -40°C to +85°C

13.3 Recommended Operating Conditions

| Symbol | Parameter Description | Min. | Typ. | Max. | Unit |
|---------------------|---|------|------|-----------|------|
| f _{OSC} | Frequency of Operation | 25 | 50 | 80 | MHz |
| I _{DD} | Supply Current - @ 50 MHz (VDD = 3.3 V) | | | TBD | mA |
| V _{OH} | Output High Voltage (CMOS) | 2.4 | | | V |
| V _{OL} | Output Low Voltage (CMOS) | | | 0.4 | V |
| V _{IH-TTL} | Input High Voltage (TTL 5 V tolerant) | 2.0 | | VDD + 2.0 | V |
| V _{IL-TTL} | Input Low Voltage (TTL 5 V tolerant) | | | 0.8 | V |
| I _{IL} | Input Leakage Current (0.1 V < V _{IN} < VDD) (all pins except those with internal pull-up/ pull-down resistors) | | | 10 | μA |
| I _{OL} | Output Leakage Current (0.1 V < V _{OUT} < VDD) | | | 10 | μA |
| C _{IN} | Input Capacitance | | | 5 | pF |
| C _{OUT} | Output Capacitance | | | 5 | pF |
| C _{I/O} | I/O Capacitance | | | 7 | pF |
| θ _{ja} | Thermal resistance with 0 air flow | | | 29.7 | C/W |
| θ _{ja} | Thermal resistance with 1 m/s air flow | | | 28.8 | C/W |
| θ _{ja} | Thermal resistance with 2 m/s air flow | | | 26.8 | C/W |
| θ _{jc} | Thermal resistance between junction and case | | | 12.6 | C/W |

13.4 Clock Frequency Specifications

| Symbol | Parameter | (Hz) | Note: |
|--------|-----------------------------------|--------|------------------|
| C1 | SCLK - Core System Clock Input | 50 M | |
| C2 | M_CLK - RMII Port Clock | 50 M | |
| C3 | M4_REFCLK - MII Reference Clock | 25 M | |
| C4 | L_CLK - Frame Buffer Memory Clock | 50 M | L_CLK = SCLK |
| C5 | M_MDC - MII Management Data Clock | 1.56 M | M_MDC = SCLK/32 |
| C6 | SCL - I ² C Data Clock | 50 K | SCL = M_CLK/1000 |

Suggestion Clock rate for various configurations:

| Configuration | | Input | | Output | | |
|---------------|--------------|-------|--------------|--------|----------|------|
| | | SCLK | M_CLK (RMII) | L_CLK | M_MDC | SCL |
| Port 0-3 | Port 4 | | | | | |
| 10 M RMII | 10/100 M MII | 25 M | 50 M | =SCLK | =SCLK/32 | 50 K |
| 100 M RMII | Not Used | 50 M | 50 M | =SCLK | =SCLK/32 | 50 K |
| 100 M RMII | 10/100 M MII | 50 M | 50 M | =SCLK | =SCLK/32 | 50 K |

DataSheet4U.com

14.0 AC Timing Characteristics

14.1 Frame Buffer Memory Interface:

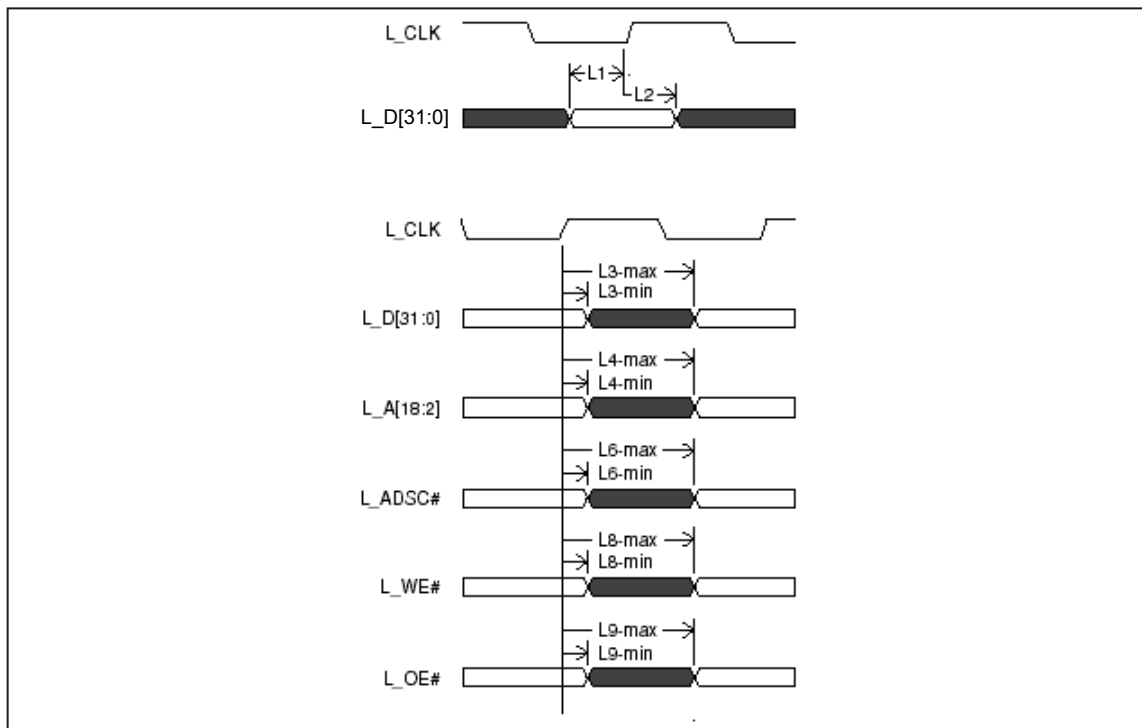


Figure 5 - Frame Buffer Memory Interface Timing

| Symbol | Parameter | 50 MHz | | Note |
|--------|------------------------------|-----------|-----------|-----------------------|
| | | Min. (ns) | Max. (ns) | |
| L1 | L_D[31:0] input setup time | 5 | | |
| L2 | L_D[31:0] input hold time | 0 | | |
| L3 | L_D[31:0] output valid delay | 1 | 8 | $C_L = 30 \text{ pF}$ |
| L4 | L_A[18:2] output valid delay | 1 | 8 | $C_L = 50 \text{ pF}$ |
| L6 | L_ADSC# output valid delay | 1 | 8 | $C_L = 50 \text{ pF}$ |
| L8 | L_WE# output valid delay | 1 | 8 | $C_L = 30 \text{ pF}$ |
| L9 | L_OE# output valid delay | 1 | 8 | $C_L = 30 \text{ pF}$ |

Table 3 - Frame Buffer Memory Interface Timin

14.2 RMII Timing Requirements

| Symbol | Parameter | 50 MHz | | Note |
|--------|-----------------------------------|-----------|-----------|-----------------------|
| | | Min. (ns) | Max. (ns) | |
| M1 | M_CLK | | | Reference Input Clock |
| M2 | M[3:0]_RXD[1:0] input setup time | 4 | | |
| M3 | M[3:0]_RXD[1:0] input hold time | 1 | | |
| M4 | M[3:0]_CRS_DV input setup time | 4 | | |
| M5 | M[3:0]_TXEN output delay time | 1 | 11 | $C_L = 30$ pF |
| M6 | M[3:0]_TXD[1:0] output delay time | 1 | 11 | $C_L = 30$ pF |
| M7 | M[3:0]_LINK input setup time | 4 | | |

Table 4 - RMII Timing Requirements

14.3 MII Timing Requirements

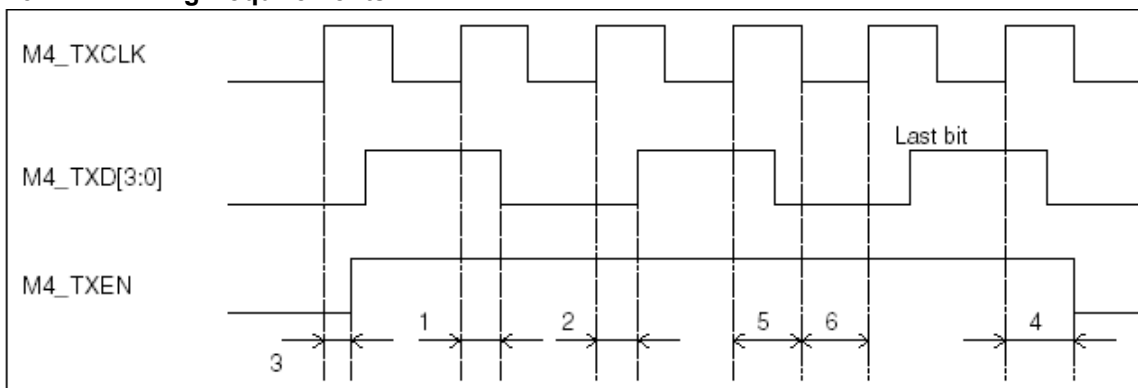


Figure 6 - Transmit Timing

| Symbol | Parameter | Time | | Unit |
|--------|--|------|------|------|
| | | Min. | Max. | |
| 1 | M4_TXCLK rise to M4_TXD[3:0] inactive delay | 5 | 20 | ns |
| 2 | M4_TXCLK rise to M4_TXD[3:0] active delay | 5 | 20 | ns |
| 3 | M4_TXCLK rise to M4_TXEN active delay | 5 | 20 | ns |
| 4 | M4_TXCLK rise of last M4_TXD bit to M4_TXEN inactive delay | 5 | 20 | ns |
| 5 | M4_TXCLK High wide | 25 | Inf. | ns |
| 6 | M4_TXCLK Low wide | 25 | Inf. | ns |
| | M4_TXCLK input rise time require | | 5 | ns |
| | M4_TXCLK input fall time require | | 5 | ns |

*Inf. - infinite

Table 5 - Transmit Timing Requirements

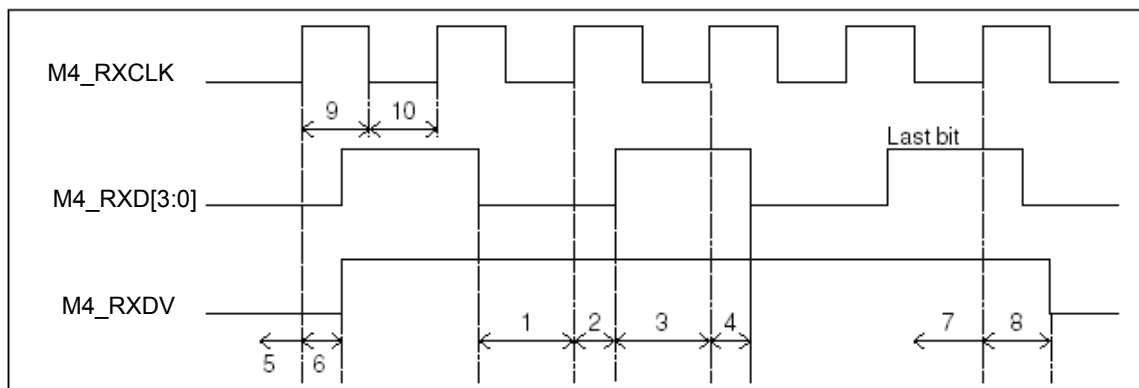


Figure 7 - Receive Timing

| Symbol | Parameter | Time | | Unit |
|--------|-----------------------------------|------|------|------|
| | | Min. | Max. | |
| 1 | M4_RXD[3:0] Low input setup time | 10 | | ns |
| 2 | M4_RXD[3:0] Low input hold time | | 5 | ns |
| 3 | M4_RXD[3:0] High input setup time | 10 | | ns |
| 4 | M4_RXD[3:0] High input hold time | | 5 | ns |
| 5 | M4_RXDV Low input setup time | 10 | | ns |
| 6 | M4_RXDV Low input hold time | | 5 | ns |
| 7 | M4_RXDV High input setup time | 10 | | ns |
| 8 | M4_RXDV High input hold time | | 5 | ns |
| 9 | M4_RXCLK High wide | 25 | Inf. | ns |
| 10 | M4_RXCLK Low wide | 25 | Inf. | ns |
| | M4_RXCLK input rise time require | | 5 | ns |
| | M4_RXCLK input fall time require | | 5 | ns |

*Inf. - infinite

Table 6 - Receive Timing Requirements

14.4 Port 4 Serial Mode AC Timing

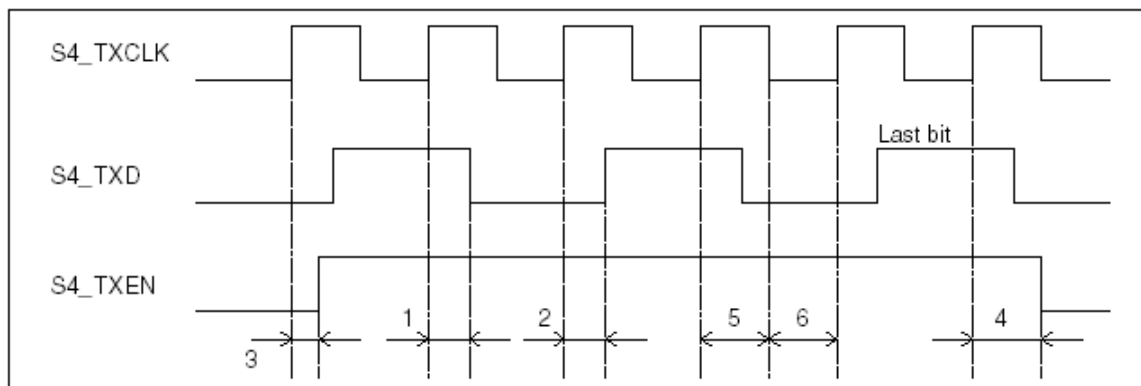


Figure 8 - Transmit Timing

| Symbol | Parameter | Time | | Unit |
|--------|--|------|------|------|
| | | Min. | Max. | |
| 1 | S4_TXCLK rise to S4_TXD inactive delay | 5 | 20 | ns |
| 2 | S4_TXCLK rise to S4_TXD active delay | 5 | 20 | ns |
| 3 | S4_TXCLK rise to S4_TXEN active delay | 5 | 20 | ns |
| 4 | S4_TXCLK rise of Last S4_TXD bit to S4_TXEN inactive delay | 5 | 20 | ns |
| 5 | S4_TXCLK High wide | 25 | Inf. | ns |
| 6 | S4_TXCLK Low wide | 25 | Inf. | ns |
| | S4_TXCLK input rise time require | | 5 | ns |
| | S4_TXCLK input fall time require | | 5 | ns |

*Inf. - infinite

Table 7 - Transmit Timing Requirements

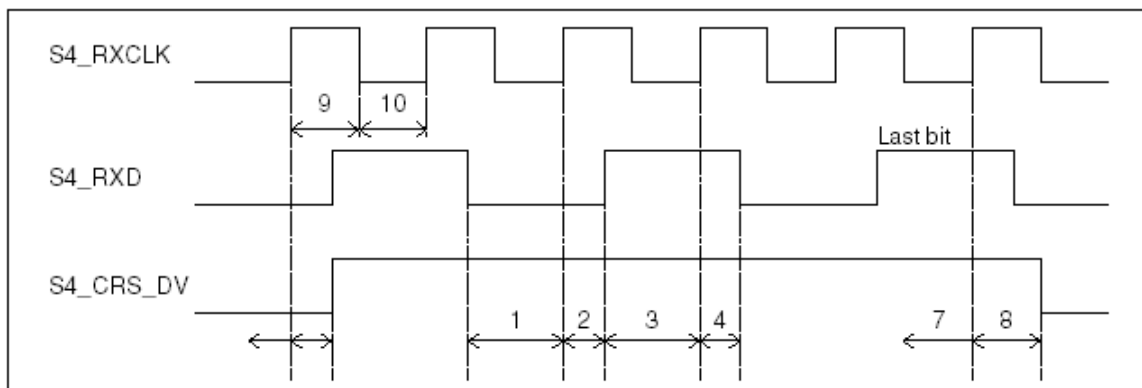
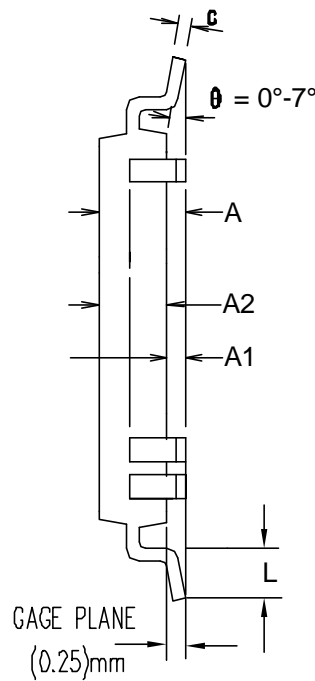
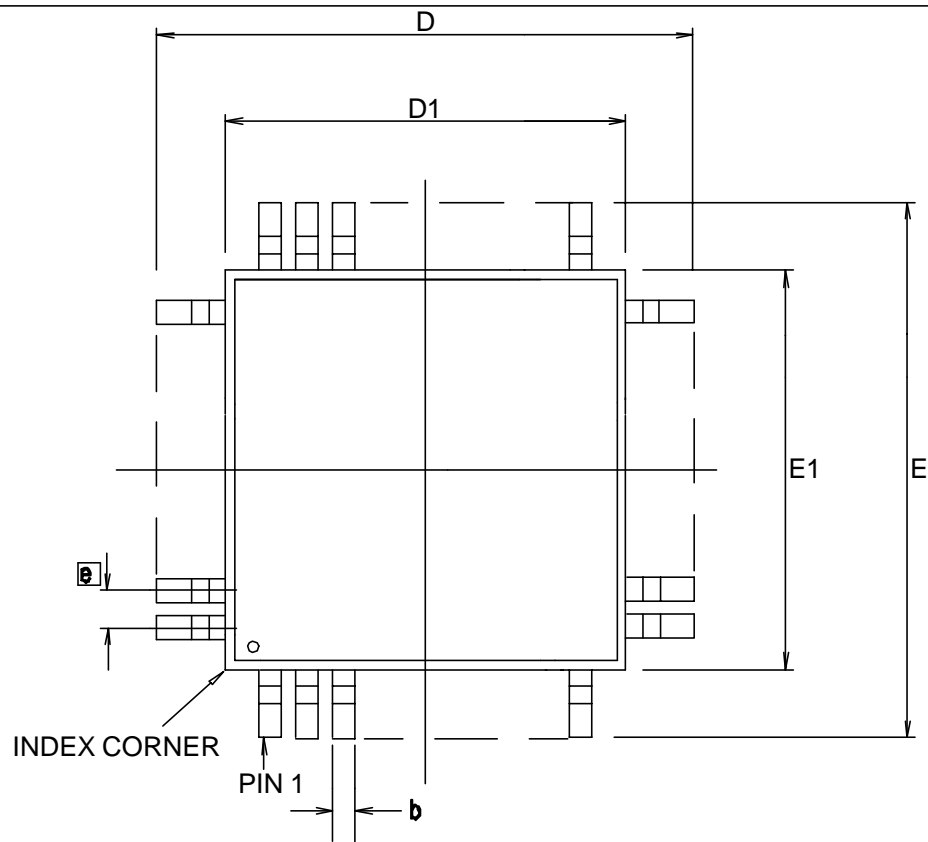


Figure 9 - Receive Timing

| Symbol | Parameter | Time | | Unit |
|--------|----------------------------------|------|------|------|
| | | Min. | Max. | |
| 1 | S4_RXD Low input setup time | 10 | | ns |
| 2 | S4_RXD Low input hold time | | 5 | ns |
| 3 | S4_RXD High input setup time | 10 | | ns |
| 4 | S4_RXD High input hold time | | 5 | ns |
| 5 | S4_CRS_DV Low input setup time | 10 | | ns |
| 6 | S4_CRS_DV Low input hold time | | 5 | ns |
| 7 | S4_CRS_DV High input setup time | 10 | | ns |
| 8 | S4_CRS_DV High input hold time | | 5 | ns |
| 9 | S4_RXCLK Hi wide | 25 | Inf. | ns |
| 10 | S4_RXCLK Low wide | 25 | Inf. | ns |
| | S4_RXCLK input rise time require | | 5 | ns |
| | S4_RXCLK input fall time require | | 5 | ns |

*Inf. - infinite

Table 8 - Receive Timing Requirements



| Symbol | Control Dimensions in millimetres | | |
|----------|-----------------------------------|---------|------|
| | MIN | Nominal | MAX |
| A | — | — | 4.10 |
| A1 | 0.25 | — | — |
| A2 | 3.20 | 3.32 | 3.60 |
| D | 30.60 BSC | | |
| D1 | 28.00 BSC | | |
| E | 30.60 BSC | | |
| E1 | 28.00 BSC | | |
| L | 0.45 | 0.60 | 0.75 |
| e | 0.50 BSC | | |
| b | 0.17 | 0.20 | 0.27 |
| c | 0.09 | 0.15 | 0.20 |
| θ | 0° | — | 7° |
| ccc | — | 0.08 | — |
| N | 208 | | |
| ND | 52 | | |
| NE | 52 | | |

Conforms to JEDEC MO-143

Notes:

1. Pin 1 indicator may be a corner chamfer, dot or both.
2. Controlling dimensions are in millimeters.
3. The top package body size may be smaller than the bottom package body size by a max. of 0.15 mm.
4. Dimension D1 and E1 do not include mould protusion.
5. Dimension b does not include dambar protusion.

© Zarlink Semiconductor 2003 All rights reserved.

| | | | | |
|--------|--------|--|--|--|
| ISSUE | 1 | | | |
| ACN | 213984 | | | |
| DATE | 3Feb03 | | | |
| APPRD. | | | | |



Previous package codes:

GP / L

Package Code QB

Package Outline for 208 Lead MQFP (28x28x3.32mm) + 2.6 mm (footprint)

GPD00828



**For more information about all Zarlink products
visit our Web Site at
www.zarlink.com**

Information relating to products and services furnished herein by Zarlink Semiconductor Inc. or its subsidiaries (collectively "Zarlink") is believed to be reliable. However, Zarlink assumes no liability for errors that may appear in this publication, or for liability otherwise arising from the application or use of any such information, product or service or for any infringement of patents or other intellectual property rights owned by third parties which may result from such application or use. Neither the supply of such information or purchase of product or service conveys any license, either express or implied, under patents or other intellectual property rights owned by Zarlink or licensed from third parties by Zarlink, whatsoever. Purchasers of products are also hereby notified that the use of product in certain ways or in combination with Zarlink, or non-Zarlink furnished goods or services may infringe patents or other intellectual property rights owned by Zarlink.

This publication is issued to provide information only and (unless agreed by Zarlink in writing) may not be used, applied or reproduced for any purpose nor form part of any order or contract nor to be regarded as a representation relating to the products or services concerned. The products, their specifications, services and other information appearing in this publication are subject to change by Zarlink without notice. No warranty or guarantee express or implied is made regarding the capability, performance or suitability of any product or service. Information concerning possible methods of use is provided as a guide only and does not constitute any guarantee that such methods of use will be satisfactory in a specific piece of equipment. It is the user's responsibility to fully determine the performance and suitability of any equipment using such information and to ensure that any publication or data used is up to date and has not been superseded. Manufacturing does not necessarily include testing of all functions or parameters. These products are not suitable for use in any medical products whose failure to perform may result in significant injury or death to the user. All products and materials are sold and services provided subject to Zarlink's conditions of sale which are available on request.

Purchase of Zarlink's I²C components conveys a licence under the Philips I²C Patent rights to use these components in and I²C System, provided that the system conforms to the I²C Standard Specification as defined by Philips.

Zarlink, ZL and the Zarlink Semiconductor logo are trademarks of Zarlink Semiconductor Inc.

Copyright Zarlink Semiconductor Inc. All Rights Reserved.

TECHNICAL DOCUMENTATION - NOT FOR RESALE