

1. General Description

This ROM-Based 8-bit micro-controller uses a fully static CMOS design technology combines higher speed and smaller size with the low power and high noise immunity of CMOS.

On chip memory system includes 2.0 K bytes of ROM, and 80 bytes of static RAM.

2. Features

The followings are some of the features on the hardware and software :

- ◆ Fully CMOS static design
- ◆ 8-bit data bus
- ◆ On chip ROM size : 2.0 K words
- ◆ Internal RAM size : 80 bytes (73 general purpose registers, 7 special registers)
- ◆ 34 single word instructions
- ◆ 12-bit instructions
- ◆ 2-level stacks
- ◆ Operating voltage : 2.3 V ~ 6.3 V
- ◆ Operating frequency : 0 ~ 20 MHz
- ◆ The most fast execution time is 200 ns under 20 MHz in all single cycle instructions except the branch instruction
- ◆ Addressing modes include direct, indirect and relative addressing modes
- ◆ Power-on Reset

- ◆ Power edge-detector Reset
- ◆ Sleep Mode for power saving
- ◆ 4 oscillator start-up time :
150 μ s, 20 ms, 40 ms, 80 ms
- ◆ 8-bit real time clock/counter(RTCC) with 8-bit programmable prescaler
- ◆ 4 types of oscillator can be selected by code options :
 - RC - Low cost RC oscillator
 - LFXT - Low frequency crystal oscillator
 - XTAL - Standard crystal oscillator
 - HFXT - High frequency crystal oscillator
- ◆ On-chip RC oscillator based Watchdog Timer(WDT) can be operated freely
- ◆ Pull up resistors for the following pins :
PA0~PA3, PB0~PB7, /MCLR, RTCC
- ◆ Pull down resistors for the following pins :
PA0~PA3, PB0~PB7, RTCC
- ◆ 12 I/O pins with their own independent direction control

3. Applications

The application areas of this MDT1030 range from appliance motor control and high speed automotive to low power remote transmitters/receivers, pointing devices, and telecommunications processors, such as Remote controller, small instruments, chargers, toy, automobile and PC peripheral ... etc.

4. Pin Assignment

PA2	1	18	PA1
PA3	2	17	PA0
RTCC	3	16	OSC1
/MCLR	4	15	OSC2
V _{ss}	5	14	V _{dd}
PB0	6	13	PB7
PB1	7	12	PB6
PB2	8	11	PB5
PB3	9	10	PB4

www.DataSheet4U.com

5. Pin Function Description

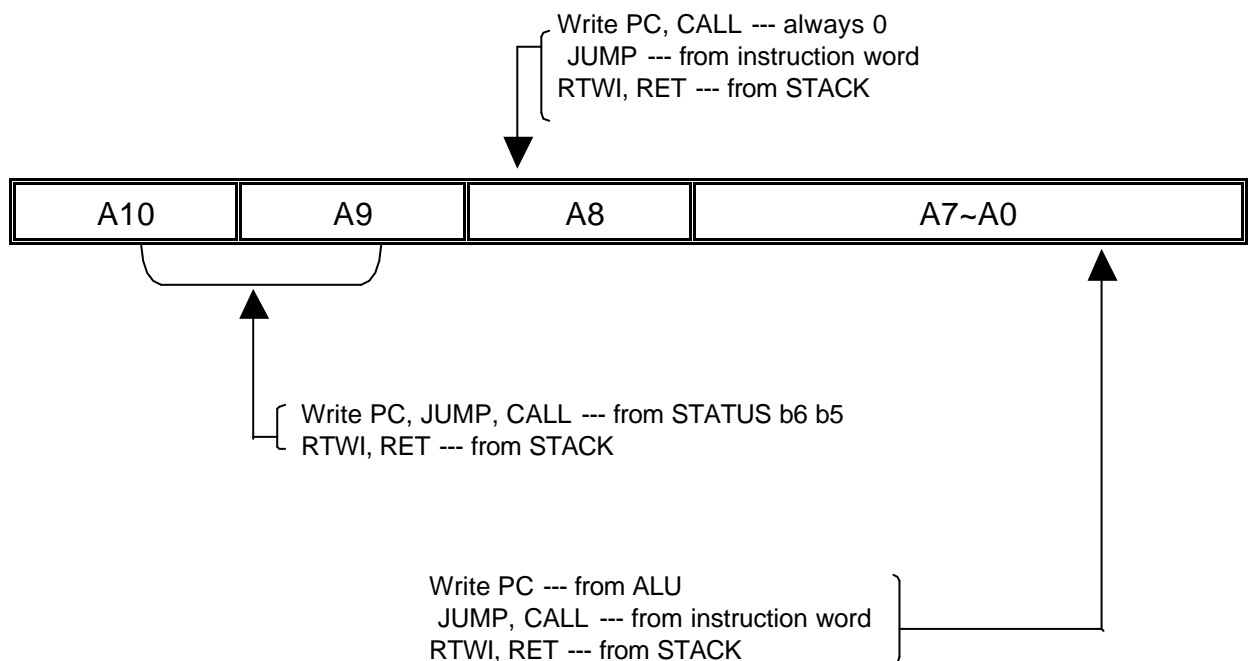
Pin Name	I/O	Function Description
PA0~PA3	I/O	Port A, TTL input level
PB0~PB7	I/O	Port B, TTL input level
RTCC	I	Real Time Clock/Counter, Schmitt Trigger input levels
/MCLR	I	Master Clear, Schmitt Trigger input levels
OSC1	I	Oscillator Input
OSC2	O	Oscillator Output
V _{dd}		Power supply
V _{ss}		Ground

6. Memory Map

(A) Register Map

Address	Description
00	Indirect Addressing Register
01	RTCC
02	PC
03	STATUS
04	MSR
05	Port A
06	Port B
07~0F	Internal RAM, General Purpose Register
10~1F	Internal Memory Select Register
30~3F	Internal Memory Select Register
50~5F	Internal Memory Select Register
70~7F	Internal Memory Select Register

- (1) IAR (Indirect Address Register) : R0
 (2) RTCC (Real Time Counter/Counter Register) : R1
 (3) PC (Program Counter) : R2

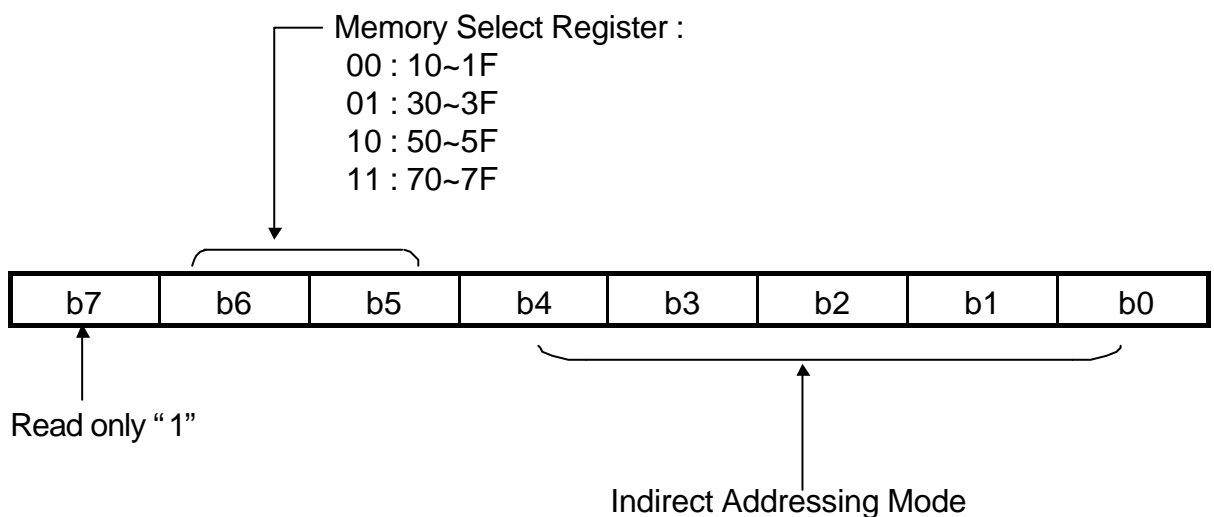


(4) STATUS (Status register) : R3

Bit	Symbol	Function
0	C	Carry bit
1	HC	Half Carry bit
2	Z	Zero bit
3	PF	Power loss Flag bit
4	TF	Time overflow Flag bit
6—5	page	Page select bit : 00 : 000H --- 1FFH 01 : 200H --- 3FFH 10 : 400H --- 5FFH 11 : 600H --- 7FFH
7	—	General purpose bit

www.DataSheet4U.com

(5) MSR (Memory Select Register) : R4



(6) PORT A : R5

PA3~PA0, I/O Register

(7) PORT B : R6

PB7~PB0, I/O Register

(8) TMR (Time Mode Register)

Bit	Symbol	Function		
2—0	PS2—0	Prescaler Value	RTCC rate	WDT rate
		0 0 0	1 : 2	1 : 1
		0 0 1	1 : 4	1 : 2
		0 1 0	1 : 8	1 : 4
		0 1 1	1 : 16	1 : 8
		1 0 0	1 : 32	1 : 16
		1 0 1	1 : 64	1 : 32
		1 1 0	1 : 128	1 : 64
		1 1 1	1 : 256	1 : 128
3	PSC	Prescaler assignment bit : 0 — RTCC 1 — Watchdog Timer		
4	TCE	RTCC signal Edge : 0 — Increment on low-to-high transition on RTCC pin 1 — Increment on high-to-low transition on RTCC pin		
5	TCS	RTCC signal set : 0 — Internal instruction cycle clock 1 — Transition on RTCC pin		

(9) CPIO A, CPIO B (Control Port I/O Mode Register)

The CPIO register is “write-only”

= “0”, I/O pin in output mode;

= “1”, I/O pin in input mode.

(10) Configuration ROM :

Bit 1	Bit 0	Oscillator Type
0	0	RC Oscillator
0	1	LFXT Oscillator
1	0	XTAL Oscillator
1	1	HFXT Oscillator

Bit 3	Bit 2	Oscillator Start-up Time
0	0	150 μs
0	1	20 ms
1	0	40 ms
1	1	80 ms

Bit 4	Watchdog Timer control
0	Watchdog timer disable all the time
1	Watchdog timer enable all the time

(B) Program Memory

Address	Description
000-7FF	Program memory
7FF	The starting address of the power on, external reset or WDT

www.DataSheet4U.com

7. Reset Condition for all Registers

Register	Address	Power-On Reset	/MCLR or WDT Reset
CPIO A	- -	1111 1111	1111 1111
CPIO B	- -	1111 1111	1111 1111
TMR	- -	--11 1111	--11 1111
IAR	00h	-	-
RTCC	01h	xxxx xxxx	uuuu uuuu
PC	02h	1111 1111	1111 1111
STATUS	03h	0001 1xxx	000# #uuu
MSR	04h	111x xxxx	111u uuuu
PORT A	05h	---- xxxx	---- uuuu
PORT B	06h	xxxx xxxx	uuuu uuuu

Note : u = unchanged, x = unknown, - = unimplemented, read as "0"
= value depends on the condition of the following table

Condition	Status: bit 4	Status: bit 3
/MCLR reset (not during SLEEP)	u	u
/MCLR reset during SLEEP	1	0
WDT reset (not during SLEEP)	0	1
WDT reset during SLEEP	0	0

8. Instruction Set

Instruction Code	Mnemonic Operands	Function	Operating	Status
010000 000000	NOP	No operation	None	
010000 000001	CLRWT	Clear Watchdog timer	0 WT	TF, PF
010000 000010	SLEEP	Sleep mode	0 WT, stop OSC	TF, PF
010000 000011	TMODE	Load W to TMODE register	W TMODE	None
010000 000100	RET	Return	Stack PC	None
010000 000rrr	CPIO R	Control I/O port register	W CPIO r	None
010001 1rrrrr	STWR R	Store W to register	W R	None
011000 trrrrr	LDR R, t	Load register	R t	Z
1110ii iiiiii	LDWI I	Load immediate to W	I W	None
010111 trrrrr	SWAPR R, t	Swap halves register	[R(0~3) ↔ R(4~7)] t	None
011001 trrrrr	INCR R, t	Increment register	R + 1 t	Z
011010 trrrrr	INCRSZ R, t	Increment register, skip if zero	R + 1 t	None
011011 trrrrr	ADDWR R, t	Add W and register	W + R t	C, HC, Z
011100 trrrrr	SUBWR R, t	Subtract W from register	R - W t (R+W+1 t)	C, HC, Z
011101 trrrrr	DECR R, t	Decrement register	R - 1 t	Z
011110 trrrrr	DECRSZ R, t	Decrement register, skip if zero	R - 1 t	None
010010 trrrrr	ANDWR R, t	AND W and register	R W t	Z
1101ii iiiiii	ANDWI i	AND W and immediate	i W W	Z
010011 trrrrr	IORWR R, t	Inclu. OR W and register	R W t	Z
1111 iiiiii	IORWI i	Inclu. OR W and immediate	i W W	Z
010100 trrrrr	XORWR R, t	Exclu. OR W and register	R W t	Z
1011 iiiiii	XORWI i	Exclu. OR W and immediate	i W W	Z
011111 trrrrr	COMR R, t	Complement register	/R t	Z
010110 trrrrr	RRR R, t	Rotate right register	R(n) R(n-1), C R(7), R(0) C	C
010101 trrrrr	RLR R, t	Rotate left register	R(n) r(n+1), C R(0), R(7) C	C
010000 1xxxxx	CLRW	Clear working register	0 W	Z
010001 0rrrrr	CLRR R	Clear register	0 R	Z

This specification are subject to be changed without notice. Any latest information please preview

Instruction Code	Mnemonic Operands	Function	Operating	Status
0000bb brrrrr	BCR R, b	Bit clear	0 R(b)	None
0010bb brrrrr	BSR R, b	Bit set	1 R(b)	None
0001bb brrrrr	BTSC R, b	Bit Test, skip if clear	Skip if R(b)=0	None
0011bb brrrrr	BTSS R, b	Bit Test, skip if set	Skip if R(b)=1	None
1100 nnnnnnnn	CALL n	Call subroutine	n PC, PC+1 Stack	None
1010ii iiiiii	RTWI i	Return, place immediate to W	Stack PC, i W	None
100n nnnnnnnn	JUMP n	JUMP to address	n PC	None

Note :

W	: Working register	b	: Bit position
WT	: Watchdog timer	t	: Target
TMODE	: TMODE mode register	0	: Working register
CPIO	: Control I/O port register	1	: General register
TF	: Timer overflow flag	R	: General register address
PF	: Power loss flag	C	: Carry flag
PC	: Program Counter	HC	: Half carry
OSC	: Oscillator	Z	: Zero flag
Inclu.	: Inclusive ' '	/	: Complement
Exclu.	: Exclusive ' '	x	: Don't care
AND	: Logic AND ' '	i	: Immediate data (8 bits)
		n	: Immediate address

9. Electrical Characteristics

(A) Operating Voltage & Frequency

V_{dd} : 2.3 V ~ 6.3 V

Frequency : 0 Hz ~ 20 MHz

(B) Input Voltage :

@ $V_{dd} = 5.0$ V, Temperature = 25

	Port	Min.	Max.
V_{il}	PA, PB	V_{ss}	1.0 V
	RTCC, /MCLR	V_{ss}	0.8 V
V_{ih}	PA, PB	2.0 V	V_{dd}
	RTCC, /MCLR	3.4 V	V_{dd}

* **Threshold Voltage :**

This specification are subject to be changed without notice. Any latest information please preview

Port A, Port B $V_{th} = 1.56\text{ V}$

RTCC, /MCLR $V_{il} = 1.4\text{ V}$, $V_{ih} = 2.9\text{ V}$ (Schmitt Trigger)

(C) Output Voltage :

@ $V_{dd} = 5.0\text{ V}$, Temperature = 25 , the typical value as followings :

PA, PB Port	
$I_{oh} = -20.0\text{ mA}$	$V_{oh} = 3.50\text{ V}$
$I_{ol} = 20.0\text{ mA}$	$V_{ol} = 0.44\text{ V}$
$I_{oh} = -5.0\text{ mA}$	$V_{oh} = 4.70\text{ V}$
$I_{ol} = 5.0\text{ mA}$	$V_{ol} = 0.20\text{ V}$

(D) Leakage Current

@ $V_{dd} = 5.0\text{ V}$, Temperature = 25 , the typical value as followings :

I_{il}	- 1.0 μA (Max.)
I_{ih}	+ 1.0 μA (Max.)

(E) Sleep Current

@WDT - Disable, Temperature = 25

$V_{dd} = 2.3 \sim 6.3\text{ V}$, $I_{dd} < 1.0\text{ }\mu\text{A}$

@WDT - Enable, Temperature = 25 , the typical value as followings :

$V_{dd} = 2.3\text{ V}$	$I_{dd} < 1.0\text{ }\mu\text{A}$
$V_{dd} = 3.0\text{ V}$	$I_{dd} = 2.0\text{ }\mu\text{A}$
$V_{dd} = 4.0\text{ V}$	$I_{dd} = 5.0\text{ }\mu\text{A}$
$V_{dd} = 5.0\text{ V}$	$I_{dd} = 12.0\text{ }\mu\text{A}$
$V_{dd} = 6.3\text{ V}$	$I_{dd} = 20.0\text{ }\mu\text{A}$

(F) Operating Current / Voltage

Temperature = 25 , the typical value as followings :

(i) OSC Type = RC ; WDT - Enable; @ $V_{dd} = 5.0\text{ V}$

Cext. (F)	Rext. (Ohm)	Frequency (Hz)	Current (A)
3P	4.7 K	12.4 M	1.9 m
	10.0 K	7.0 M	1.1 m
	47.0 K	1.7 M	310.0 μ
	100.0 K	842.0 K	180.0 μ
	300.0 K	282.5 K	90.0 μ
	470.0 K	180.0 K	75.0 μ
20P	4.7 K	5.40 M	900.0 μ
	10.0 K	2.80 M	500.0 μ
	47.0 K	666.6 K	150.0 μ
	100.0 K	318.2 K	100.0 μ
	300.0 K	106.5 K	70.0 μ
	470.0 K	68.8 K	60.0 μ
100P	4.7 K	1.66 M	320.0 μ
	10.0 K	851.0 K	180.0 μ
	47.0 K	193.5 K	80.0 μ
	100.0 K	92.6 K	65.0 μ
	300.0 K	29.8 K	60.0 μ
	470.0 K	18.7 K	55.0 μ
300P	4.7 K	695.0 K	160.0 μ
	10.0 K	350.0 K	105.0 μ
	47.0 K	79.1 K	65.0 μ
	100.0 K	35.5 K	60.0 μ
	300.0 K	11.9 K	55.0 μ
	470.0 K	7.5 K	53.0 μ

www.DataSheet4U.com

(ii) OSC Type = LF (C=20 p); WDT - Enable

Voltage/Frequency	32 K	455 K	1 M	Sleep
2.3 V	4.0 μ A	X	X	< 1.0 μ A
3.0 V	8.0 μ A	50.0 μ A	85.0 μ A	2.0 μ A
4.0 V	17.0 μ A	70.0 μ A	140.0 μ A	4.0 μ A
5.0 V	30.0 μ A	110.0 μ A	200.0 μ A	12.0 μ A
6.3 V	58.0 μ A	160.0 μ A	290.0 μ A	20.0 μ A

www.DataSheet4U.com

(iii) OSC Type = XT (C=10 p); WDT - Enable

Voltage/Frequency	1 M	4 M	10 M	Sleep
2.1 V	65.0 μ A	220.0 μ A	490.00 μ A	< 1.0 μ A
3.0 V	120.0 μ A	365.0 μ A	800.00 μ A	2.0 μ A
4.0 V	210.0 μ A	550.0 μ A	1.20 mA	4.0 μ A
5.0 V	330.0 μ A	750.0 μ A	1.70 mA	12.0 μ A
6.3 V	530.0 μ A	1.2 mA	2.40 mA	20.0 μ A

(iv) OSC Type = HF (C=10 p); WDT - Enable

Voltage/Frequency	4 M	10 M	20 M	Sleep
2.1 V	220.0 μ A	560.00 μ A	950.00 μ A	< 1.0 μ A
3.0 V	400.0 μ A	900.00 μ A	1.50 mA	2.0 μ A
4.0 V	640.0 μ A	1.60 mA	2.60 mA	4.0 μ A
5.0 V	900.0 μ A	2.40 mA	3.70 mA	12.0 μ A
6.3 V	1.4 mA	3.60 mA	5.50 mA	20.0 μ A

(G) Pull Resistance

@ Input Mode : $V_{dd} = 3.0$ V

PORT	Pull-High Resistance	$R_{hi} = 330.0$ KOhm
	Pull-Low Resistance	$R_{lo} = 330.0$ KOhm
RTCC	Pull-High Resistance	$R_{hi} = 300.0$ KOhm
	Pull-Low Resistance	$R_{lo} = 300.0$ KOhm
/MCLR	Pull-High Resistance	$R_{hi} = 300.0$ KOhm

This specification are subject to be changed without notice. Any latest information please preview

@ Input Mode : $V_{dd} = 5.0 \text{ V}$

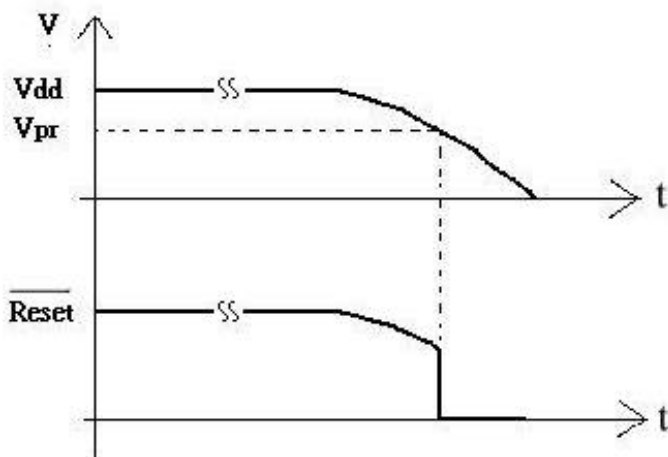
PORT	Pull-High Resistance	$R_{hi} = 160.0 \text{ KOhm}$
	Pull-Low Resistance	$R_{lo} = 160.0 \text{ KOhm}$
RTCC	Pull-High Resistance	$R_{hi} = 150.0 \text{ KOhm}$
	Pull-Low Resistance	$R_{lo} = 150.0 \text{ KOhm}$
/MCLR	Pull-High Resistance	$R_{hi} = 150.0 \text{ KOhm}$

p.s. : It is only a reference value for the Pull High/Low Resistance, and the accurate value of the Resistance depends on the various parameter of the Process. But the variation of the value will be not more than 20%.

www.DataSheet4U.com

(H) Power Edge-detector Reset Voltage, @ $V_{dd} = 5.0 \text{ V}$

$V_{pr} \quad 1.1 \sim 1.3 \text{ V} \quad V_{pr} : V_{dd} \text{ (Power Supply)}$



The Power Edge-detector function can be chosen as either "Enable" or "Disable" :

- (i) "Disable" condition : No Power EDT function.
- (ii) "Enable" condition : Under operation condition(Not in Sleep Mode), if the operating voltage(V_{pr}) was not dropped down smoothly, then, $1.1 \text{ V} < V_{pr} < 2.0 \text{ V}$, the IC will be reset.

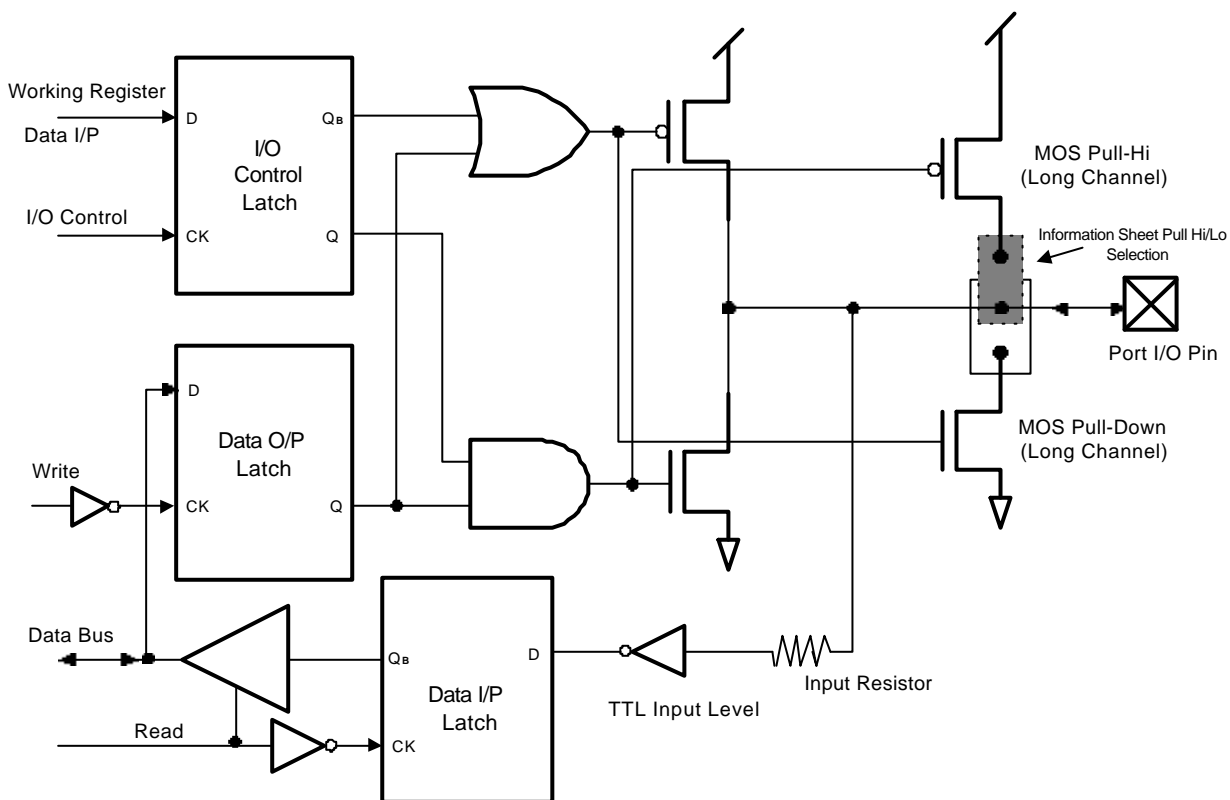
(I) The basic WDT time-out cycle time

Temperature = 25 , the typical value as followings :

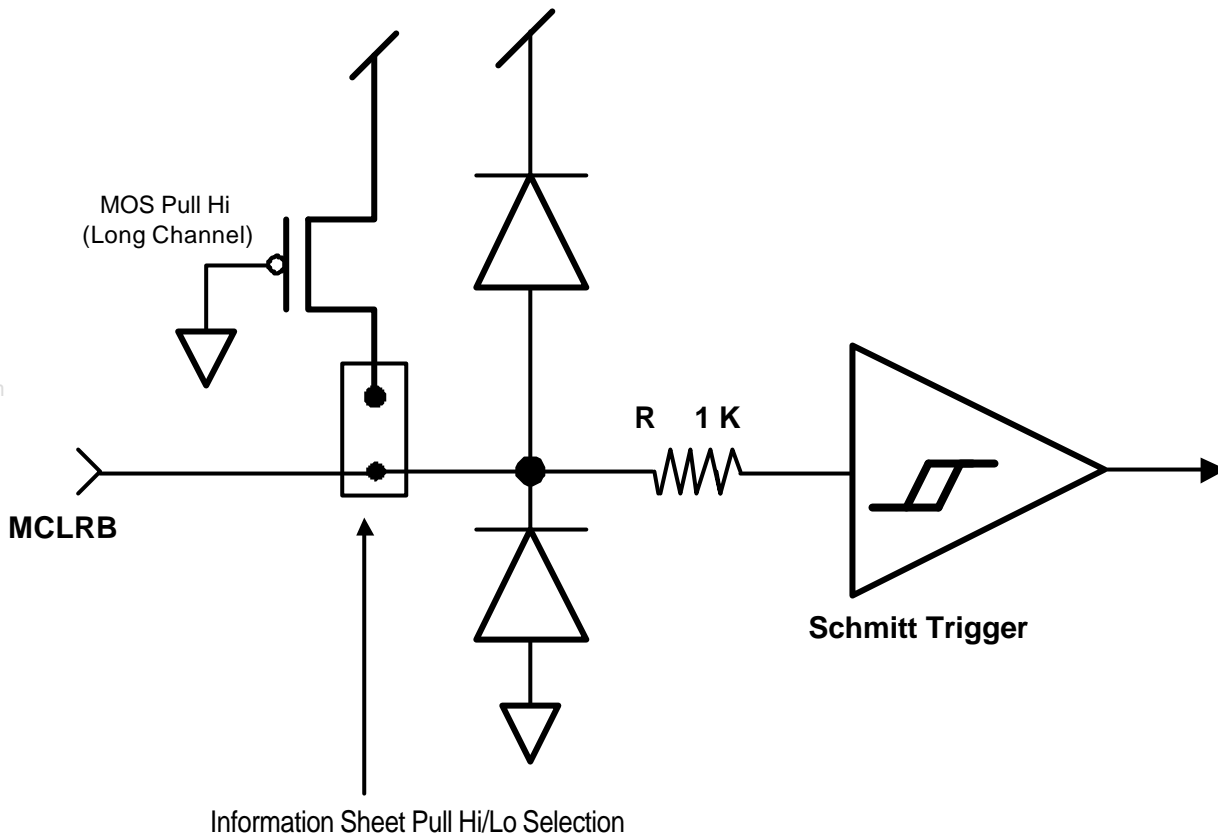
Voltage (V)	Basic WDT time-out cycle time (ms)
2.3	28.90
3.0	25.60
4.0	22.30
5.0	20.00
6.3	18.10

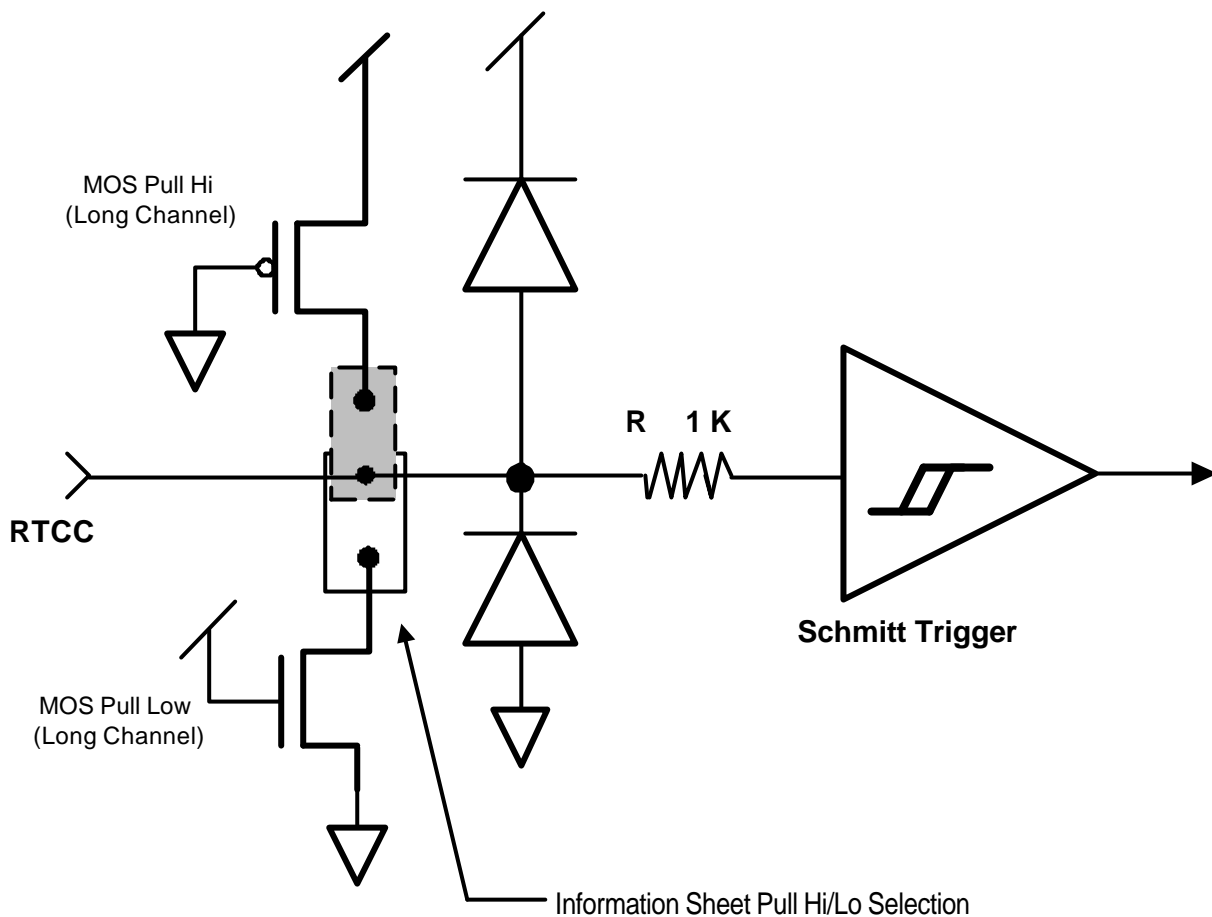
www.DataSheet4U.com

10. Port A and Port B Equivalent Circuit

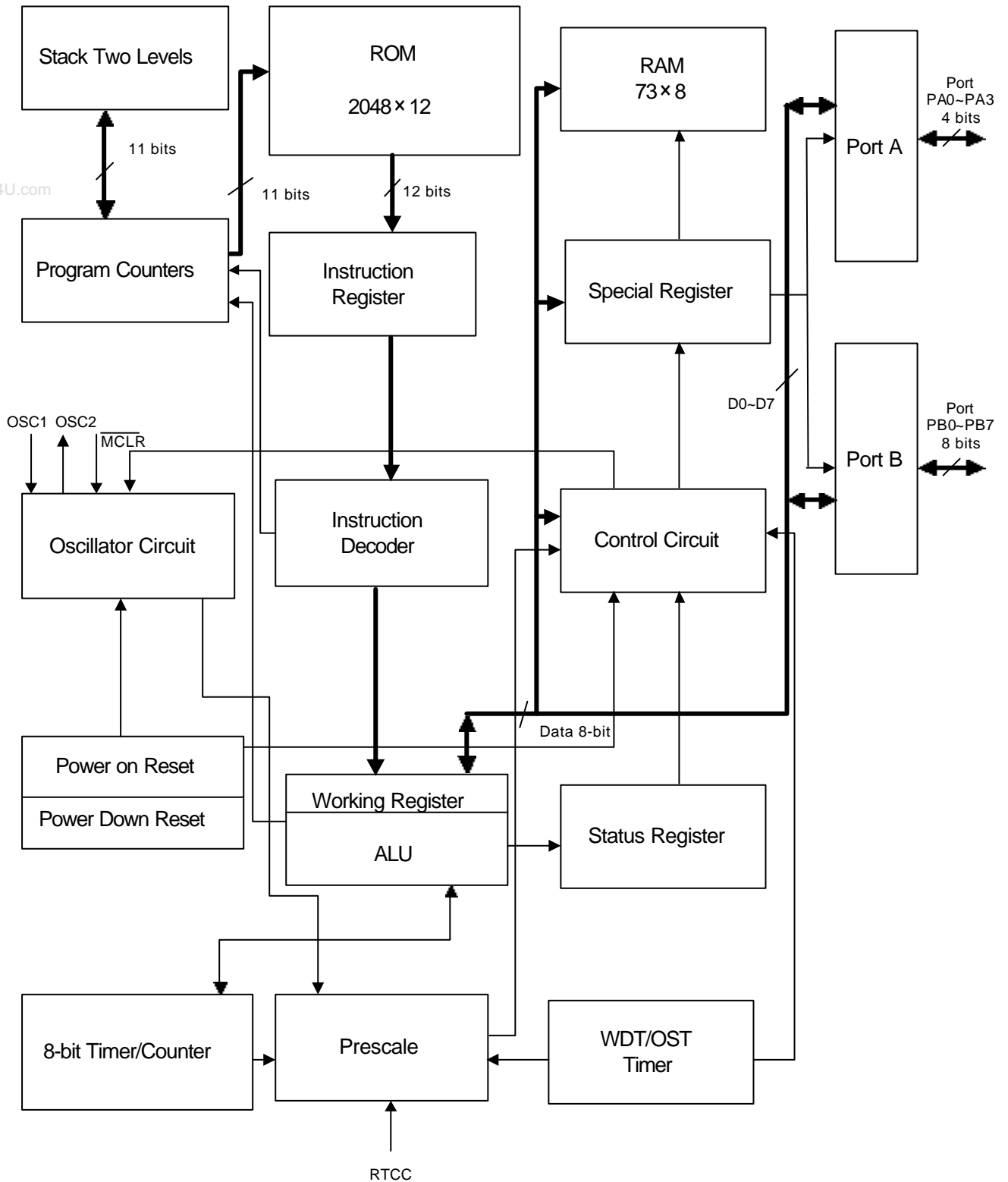


11. MCLR_B and RTCC Input Equivalent Circuit





12. Block Diagram

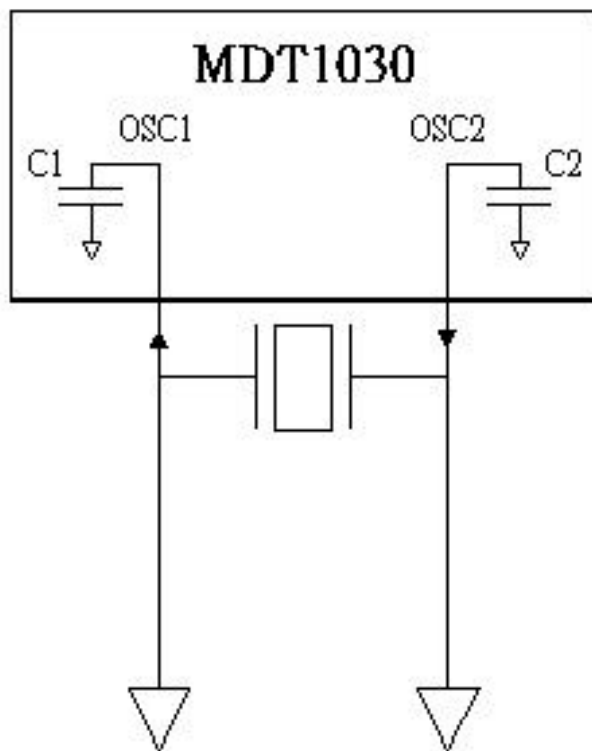


This specification are subject to be changed without notice. Any latest information please preview

13. Capacitor Selection For Crystal Oscillator

(a) With built-in Oscillation Capacitors (Default for HF,XT,LF)

@ $V_{dd} = 2.3V \sim 5.5 V$, $C1=C2=10P \sim 15P$



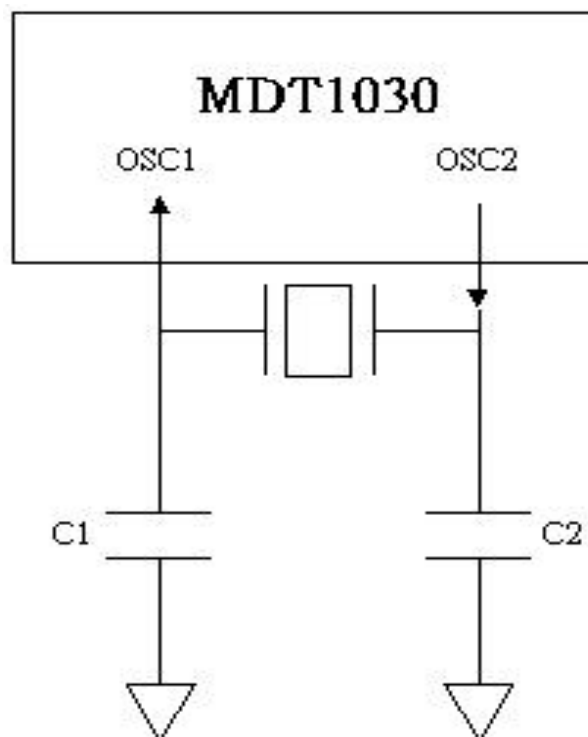
www.DataSheet4U.com

(b) Without built-in Oscillation Capacitors

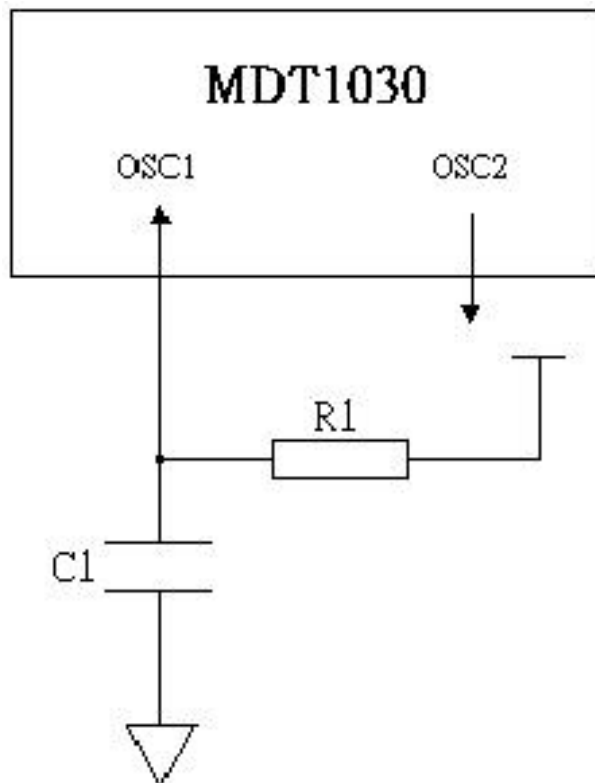
@ $V_{dd} = 3.0\text{ V} \sim 5.0\text{ V}$

Osc. Type	Resonator Freq.	C1	C2
HF	20 MHz	5 pF ~10 pF	10 pF~30 pF
	10 MHz	10 pF ~50 pF	20 pF ~100 pF
	4 MHz	10 pF ~50 pF	20 pF ~100 pF
XT	10 MHz	10 pF ~30 pF	10 pF ~50 pF
	4 MHz	10 pF ~50 pF	20 pF ~100 pF
	1 MHz	10 pF ~30 pF	20 pF ~50 pF
LF	1 MHz	3 pF ~5 pF	3 pF ~5 pF
	455 K	10 pF ~30 pF	20 pF ~50 pF
	32 K	10 pF ~20 pF	15 pF ~30 pF

www.DataSheet4U.com



To increase the stability of oscillator and the ability of anti-noise, the above values of the external capacitor range are recommended, but the higher capacitance will increase the start-up time. There do not have built-in Oscillation Capacitors for RC type.



www.DataSheet4U.com