

Low power consumption, Low ESR Cap. Compatible ME6206 Series

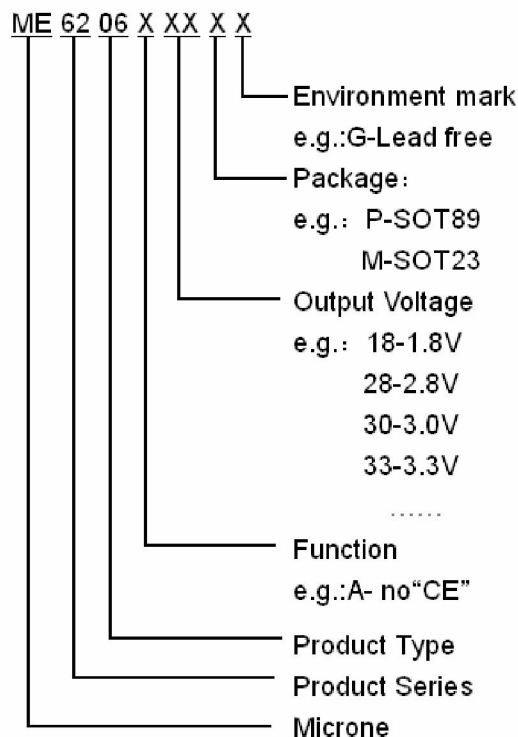
General Description

ME6206 series are highly precise, low power consumption, high voltage, positive voltage regulators manufactured using CMOS and laser trimming technologies. The series provides large currents with a significantly small dropout voltage. The series is compatible with low ESR ceramic capacitors. The current limiter's foldback circuit also operates as a short protect for the output current limiter and the output pin.

Features

- | Highly Accurate : $\pm 2\%$
- | Output voltage range : 1.5V~5.0V (selectable in 0.1V steps)
- | Low power consumption : 8 μ A(TYP.)
- | Large output current : 300mA
- | Input voltage: up to 6 V
- | Dropout voltage : 0.2V at 100mA and 0.40V at 200mA
- | Excellent Input Stability
- | Be available to regulator and reference voltage
- | Packages: SOT23-3 , SOT89-3 , SOT23 , TO-92

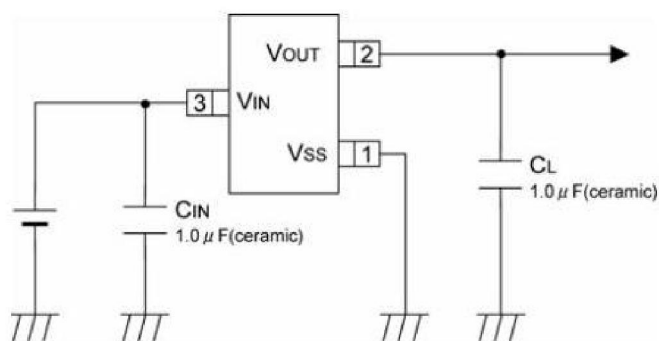
Selection Guide



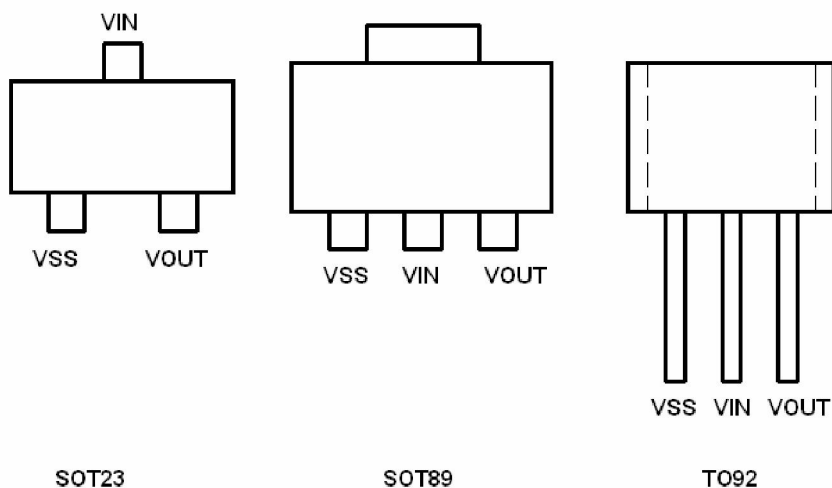
Typical Application

- | Battery powered equipment
- | Communication tools
- | Mobile phones
- | Portable games
- | Portable AV systems
- | Cameras, Video systems
- | Reference voltage sources

Typical Application Circuit



Pin Configuration



Pin Assignment

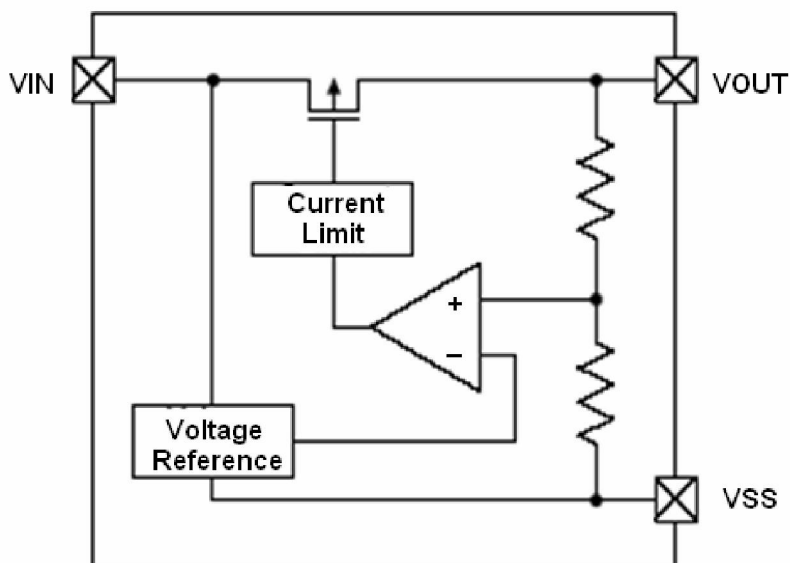
ME6206Axx

Pin					Name	Function
M3	P	P1	X	T		
SOT23-3	SOT89-3	SOT89-3	SOT23	TO-92		
1	1	2	1	1	Vss	Ground
2	3	1	2	3	Vout	Output
3	2	3	3	2	Vin	input

Absolute Maximum Ratings

Parameter	Symbol	Description	Units
Input Voltage	V_{IN}	6.5	V
Output Current	I_{out}	500	mA
Output Voltage	V_{out}	$V_{ss}-0.3 \sim V_{out}+0.3$	V
Power Dissipation	SOT23-3	P_d	300 mW
	SOT89-3	P_d	500 mW
	SOT23	P_d	300 mW
	TO-92	P_d	500 mW
Operating Ambient Temperature	T_{Opr}	-25 ~ +85	
Storage Temperature	T_{stg}	-40 ~ +125	

Block Diagram



ME6206A15

($V_{IN}=V_{out}+1V, C_{in}=C_{out}=1\mu, T_a=25^\circ C$ Unless otherwise stated)

PARAMETER	SYMBOL	CONDITION	MIX	TYP	MAX	UNIT
Output Voltage	$V_{OUT(E)}$ (Note 2)	$I_{OUT}=10mA,$ $V_{IN}=V_{out}+1V$	X 0.98	$V_{OUT(T)}$ (Note 1)	X 1.02	V
Input Voltage	V_{IN}				6	V
Maximum Output Voltage	$I_{OUT} (max)$	$V_{IN}=V_{out}+1V$		100		mA
Load Regulation	V_{OUT}	$V_{IN}=V_{out}+1V,$ $1mA I_{OUT} 80mA$		10		mV
Dropout Voltage (Note 3)	V_{dif1}	$I_{OUT} =20mA$		180		mV
	V_{dif2}	$I_{OUT} =50mA$		360		mV
Supply Current	I_{SS}	$V_{IN}=V_{out}+1V$		7		μA
Line Regulations	$\frac{V_{OUT}}{V_{IN} \cdot V_{OUT}}$	$I_{OUT} =10mA$ $V_{out}+1V V_{IN} 5V$		0.1		%/V
Power Supply Ripple Rejection Ratio	PSRR	$V_{in} = [V_{out}+1]V$ $+1Vp-pAC$ $I_{OUT} =10mA, f=1kHz$		45		dB
Short Circuit Current	I_{short}	$V_{in}=V_{out(T)}+1.5V$ $V_{out}=V_{SS}$		20		mA
Over Current Protection	I_{limit}			300		mA

ME6206A18

(VIN=Vout+1V,Cin=Cout=1u,Ta=25°C Unless otherwise stated)

PARAMETER	SYMBOL	CONDITION	MIX	TYP	MAX	UNIT
Output Voltage	V _{OUT} (E) (Note 2)	I _{OUT} =10mA, V _{IN} =Vout+1V	X 0.98	V _{OUT} (T) (Note 1)	X 1.02	V
Input Voltage	V _{IN}				6	V
Maximum Output Voltage	I _{OUT} (max)	V _{IN} =Vout+1V		120		mA
Load Regulation	V _{OUT}	V _{IN} =Vout+1V, 1mA I _{OUT} 80mA		12		mV
Dropout Voltage (Note 3)	V _{dif1}	I _{OUT} =20mA		180		mV
	V _{dif2}	I _{OUT} =50mA		360		mV
Supply Current	I _{SS}	V _{IN} =Vout+1V		7		μA
Line Regulations	$\frac{V_{OUT}}{V_{IN} \cdot V_{OUT}}$	I _{OUT} =10mA Vout+1V V _{IN} 5V		0.1		%/V
Power Supply Ripple Rejection Ratio	PSRR	Vin= [Vout+1]V +1Vp-pAC I _{OUT} =10mA,f=1kHz		45		dB
Short Circuit Current	I _{short}	Vin=Vout(T)+1.5V Vout=Vss		25		mA
Over Current Protection	I _{limit}			400		mA

ME6206A28

(VIN=Vout+1V,Cin=Cout=1u,Ta=25°C Unless otherwise stated)

PARAMETER	SYMBOL	CONDITION	MIX	TYP	MAX	UNIT
Output Voltage	V _{OUT} (E) (Note 2)	I _{OUT} =10mA, V _{IN} =Vout+1V	X 0.98	V _{OUT} (T) (Note 1)	X 1.02	V
Input Voltage	V _{IN}				6	V
Maximum Output Voltage	I _{OUT} (max)	V _{IN} =Vout+1V		300		mA
Load Regulation	V _{OUT}	V _{IN} =Vout+1V 1mA I _{OUT} 100mA		14		mV
Dropout Voltage (Note 3)	V _{dif1}	I _{OUT} =80mA		180		mV
	V _{dif2}	I _{OUT} =200mA		380		mV
Supply Current	I _{SS}	V _{IN} =Vout+1V		8		μA
Line Regulations	$\frac{V_{OUT}}{V_{IN} \cdot V_{OUT}}$	I _{OUT} =40mA Vout+1V V _{IN} 6V		0.03		%/V
Power Supply Ripple Rejection Ratio	PSRR	Vin= [Vout+1]V +1Vp-pAC I _{OUT} =10mA,f=1kHz		50		dB

Short Circuit Current	I_{short}	$V_{in}=V_{out}(T)+1.5V$ $V_{out}=V_{ss}$		30		mA
Over Current Protection	I_{limit}			500		mA

ME6206A30

($V_{IN}=V_{out}+1V, C_{in}=C_{out}=1\mu, T_a=25^\circ C$ Unless otherwise stated)

PARAMETER	SYMBOL	CONDITION	MIX	TYP	MAX	UNIT
Output Voltage	$V_{OUT}(E)$ (Note 2)	$I_{OUT}=10mA,$ $V_{IN}=V_{out}+1V$	X 0.98	$V_{OUT}(T)$ (Note 1)	X 1.02	V
Input Voltage	V_{IN}				6	V
Maximum Output Voltage	$I_{OUT} (max)$	$V_{IN}=V_{out}+1V$		300		mA
Load Regulation	V_{OUT}	$V_{IN}=V_{out}+1V$ 1mA I_{OUT} 100mA		14		mV
Dropout Voltage (Note 3)	V_{dif1}	$I_{OUT} =80mA$		180		mV
	V_{dif2}	$I_{OUT} =200mA$		380		mV
Supply Current	I_{SS}	$V_{IN}=V_{out}+1V$		8		μA
Line Regulations	$\frac{V_{OUT}}{V_{IN} \cdot V_{OUT}}$	$I_{OUT} =40mA$ $V_{out}+1V V_{IN} 6V$		0.03		%/V
Power Supply Ripple Rejection Ratio	PSRR	$V_{in}= [V_{out}+1]V$ +1Vp-pAC $I_{OUT} =10mA, f=1kHz$		50		dB
Short Circuit Current	I_{short}	$V_{in}=V_{out}(T)+1.5V$ $V_{out}=V_{ss}$		30		mA
Over Current Protection	I_{limit}			500		mA

ME6206A33

($V_{IN}=V_{out}+1V, C_{in}=C_{out}=1\mu, T_a=25^\circ C$ Unless otherwise stated)

PARAMETER	SYMBOL	CONDITION	MIX	TYP	MAX	UNIT
Output Voltage	$V_{OUT}(E)$ (Note 2)	$I_{OUT}=10mA,$ $V_{IN}=V_{out}+1V$	X 0.98	$V_{OUT}(T)$ (Note 1)	X 1.02	V
Input Voltage	V_{IN}				6	V
Maximum Output Voltage	$I_{OUT} (max)$	$V_{IN}=V_{out}+1V$		300		mA
Load Regulation	V_{OUT}	$V_{IN}=V_{out}+1V$ 1mA I_{OUT} 100mA		14		mV
Dropout Voltage (Note 3)	V_{dif1}	$I_{OUT} =80mA$		180		mV
	V_{dif2}	$I_{OUT} =200mA$		380		mV
Supply Current	I_{SS}	$V_{IN}=V_{out}+1V$		9		μA
Line Regulations	V_{OUT}	$I_{OUT} =40mA$		0.03		%/V

	$V_{IN} \bullet V_{OUT}$	Vout+1V V_{IN} 6V				
Power Supply Ripple Rejection Ratio	PSRR	Vin= [Vout+1]V +1Vp-pAC $I_{OUT} = 10mA, f=1kHz$		50		dB
Short Circuit Current	I_{short}	Vin=Vout(T)+1.5V Vout=Vss		30		mA
Over Current Protection	I_{limit}			500		mA

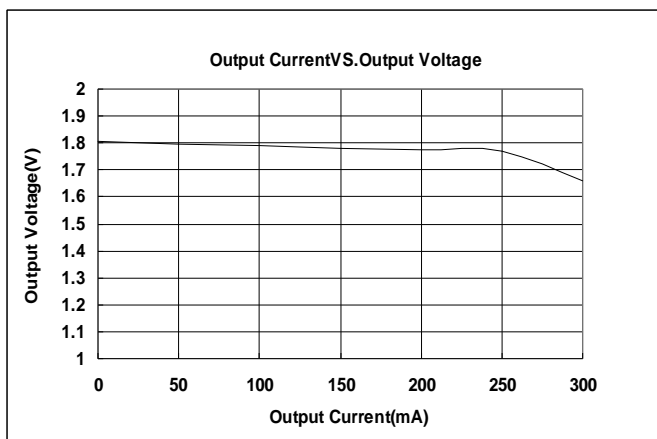
Note :

1. $V_{OUT}(T)$: Specified Output Voltage
2. $V_{OUT}(E)$: Effective Output Voltage (i.e. The output voltage when " $V_{OUT}(T)+1.0V$ " is provided at the Vin pin while maintaining a certain Iout value.)
3. V_{dif} : $V_{IN1} - V_{OUT}(E)'$
 V_{IN1} : The input voltage when $V_{OUT}(E)'$ appears as input voltage is gradually decreased.
 $V_{OUT}(E)'$ = A voltage equal to 98% of the output voltage whenever an amply stabilized Iout { $V_{OUT}(T)+1.0V$ } is input.

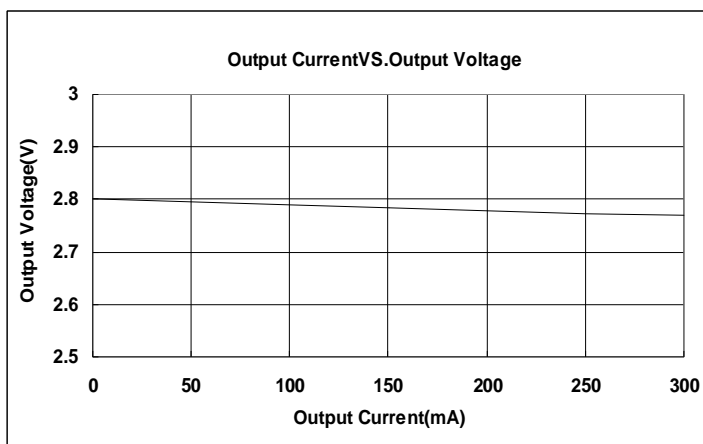
Type Characteristics

(1) Output Current VS. Output Voltage ($V_{IN}=V_{out}+1$, $T_a = 25\text{ }^\circ\text{C}$)

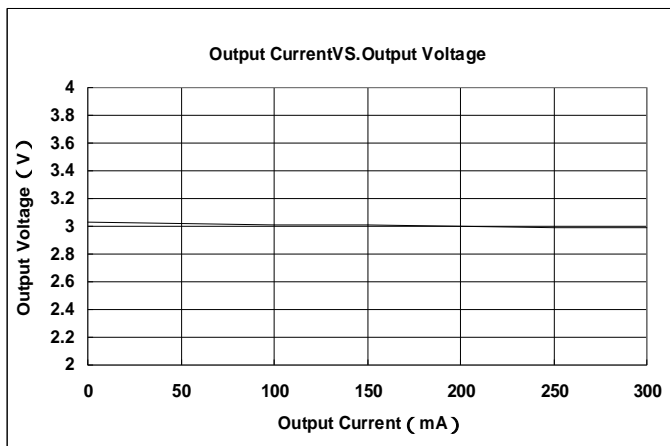
ME6206A18PG



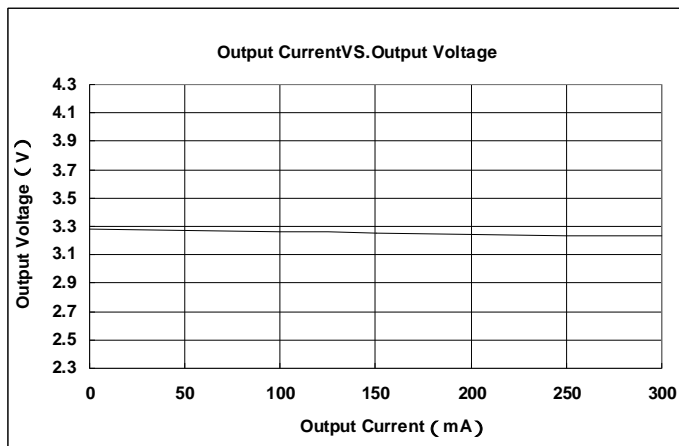
ME6206A28PG



ME6206A30PG

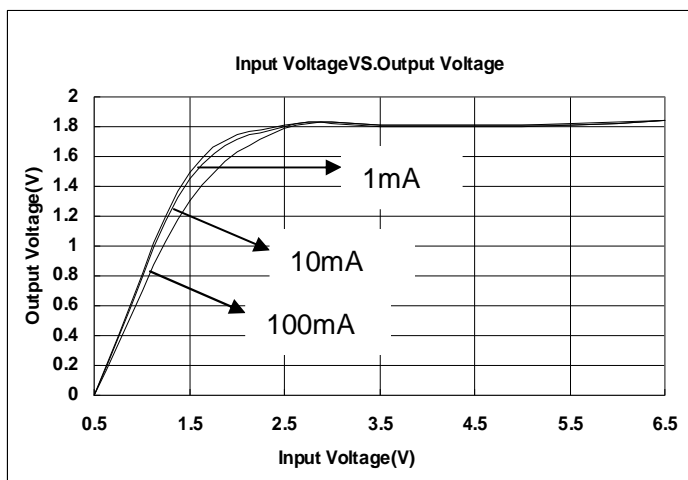


ME6206A33PG

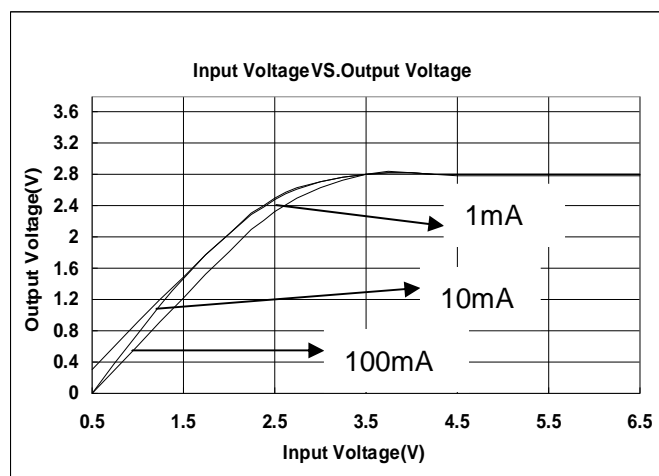


(2) Input Voltage VS. Output Voltage ($T_a = 25^\circ\text{C}$)

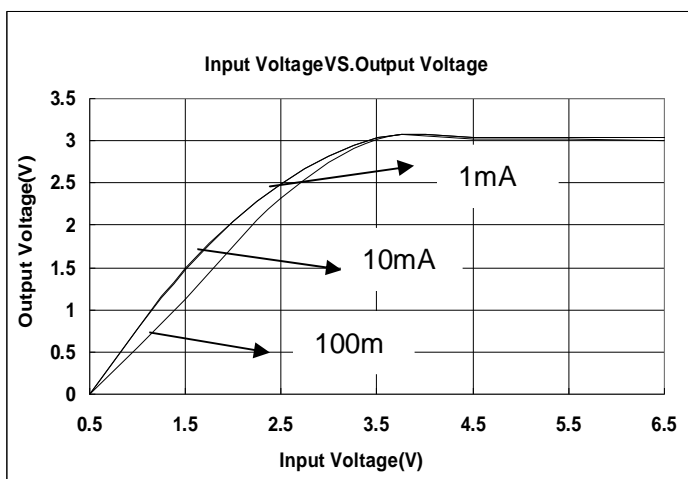
ME6206A18PG



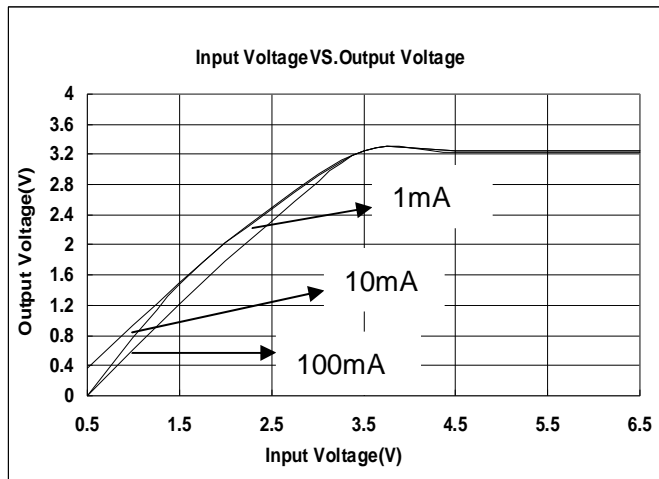
ME6206A28PG



ME6206A30PG

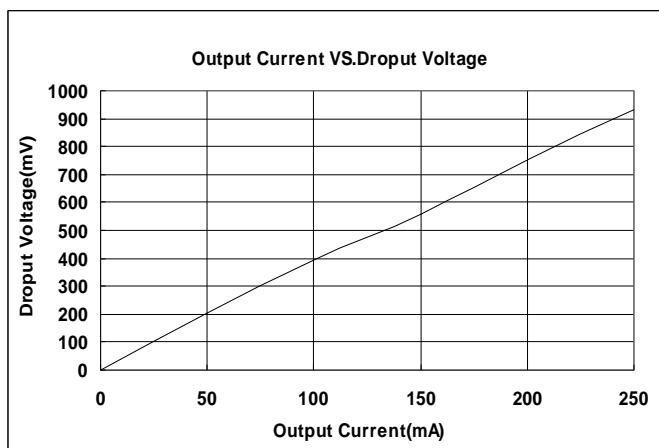


ME6206A33PG

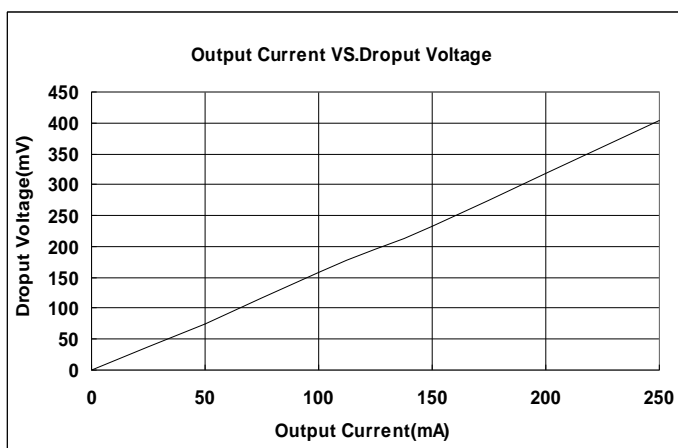


(3) Output Current VS. Dropout Voltage ($V_{IN}=V_{out}+1V, T_a = 25^\circ C$)

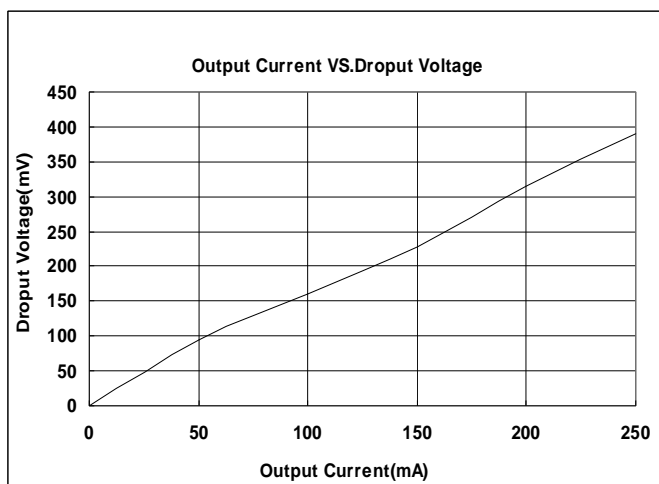
ME6206A18PG



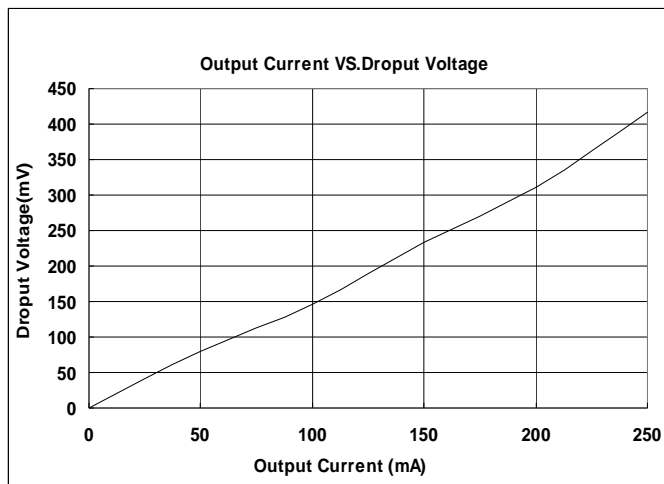
ME6206A28PG



ME6206A30PG

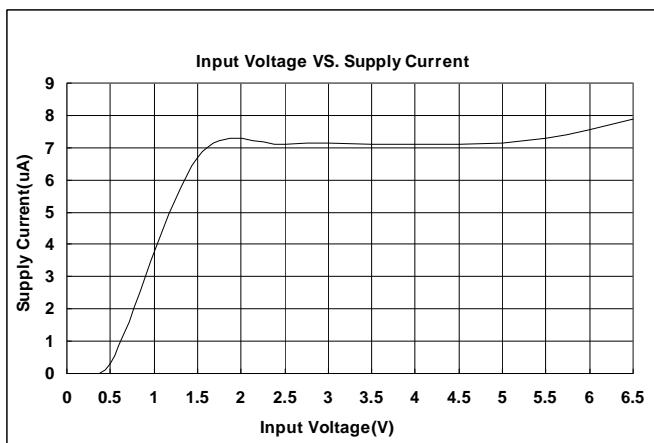


ME6206A33PG

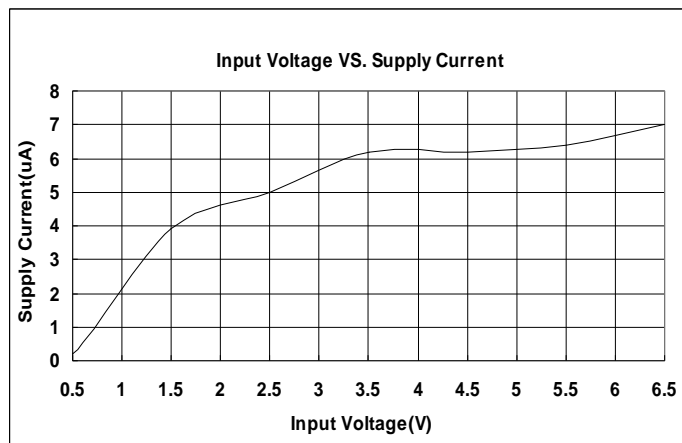


(4) Input Voltage VS. Supply Current (Ta = 25 °C)

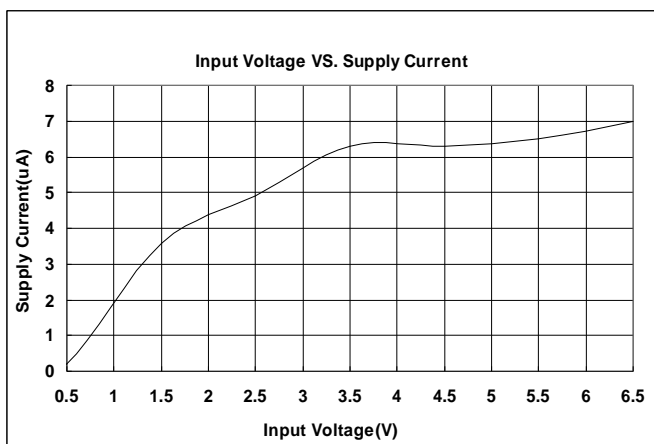
ME6206A18PG



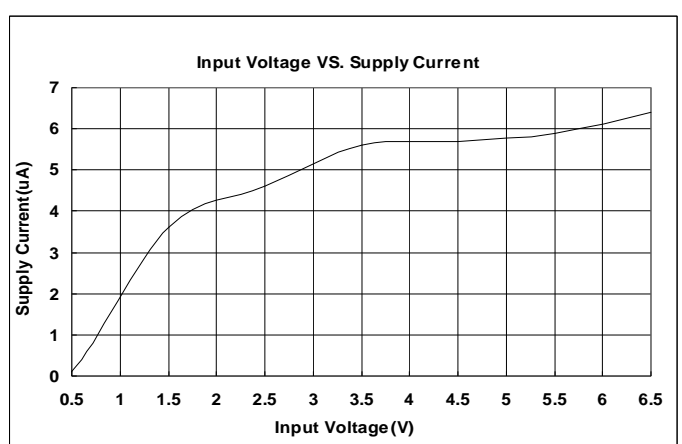
ME6206A28PG



ME6206A30PG

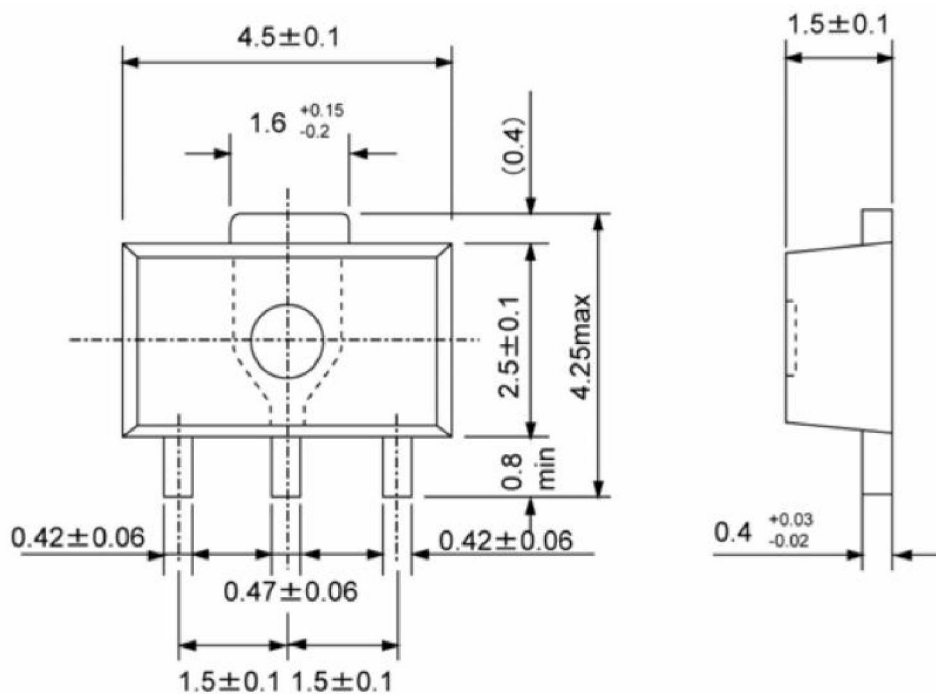


ME6206A33PG

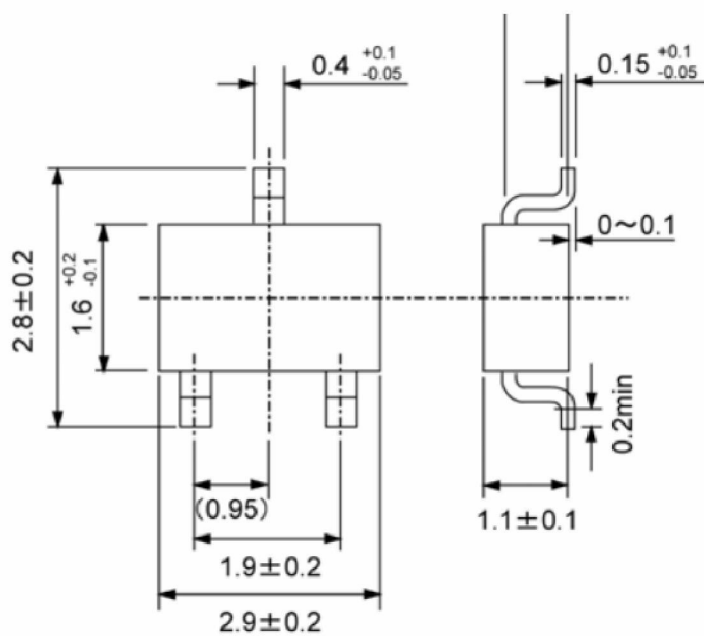


Packaging Information:

SOT89-3



SOT23-3



- | The information described herein is subject to change without notice.
- | Nanjing Micro One Electronics Inc is not responsible for any problems caused by circuits or diagrams described herein whose related industrial properties, patents, or other rights belong to third parties. The application circuit examples explain typical applications of the products, and do not guarantee the success of any specific mass-production design.
- | Use of the information described herein for other purposes and/or reproduction or copying without the express permission of Nanjing Micro One Electronics Inc is strictly prohibited.
- | The products described herein cannot be used as part of any device or equipment affecting the human body, such as exercise equipment, medical equipment, security systems, gas equipment, or any apparatus installed in airplanes and other vehicles, without prior written permission of Nanjing Micro One Electronics Inc.
- | Although Nanjing Micro One Electronics Inc exerts the greatest possible effort to ensure high quality and reliability, the failure or malfunction of semiconductor products may occur. The user of these products should therefore give thorough consideration to safety design, including redundancy, fire-prevention measures, and malfunction prevention, to prevent any accidents, fires, or community damage that may ensue.