

# MF1010S-1

FOR AMPS MOBILE TELEPHONE, Tx

MF1010S-1

## DESCRIPTION

This SAW filter for the transmitting RF circuit of AMPS mobile communication equipment operating at 824 MHz ~ 849 MHz.

## FEATURES

1. SMD package insures small size, lightweight.
2. Adjustment free.
3. Low insertion loss and high stop band attenuation.
4. Wide and sharp passband characteristics.
5. High stability and reliability.
6. Designed for reflow solderings.

## APPLICATION

- Mobile Cellular Telephone
- Portable Cellular Telephone
- Wireless equipment

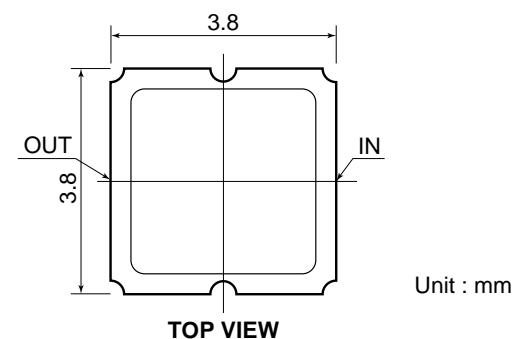
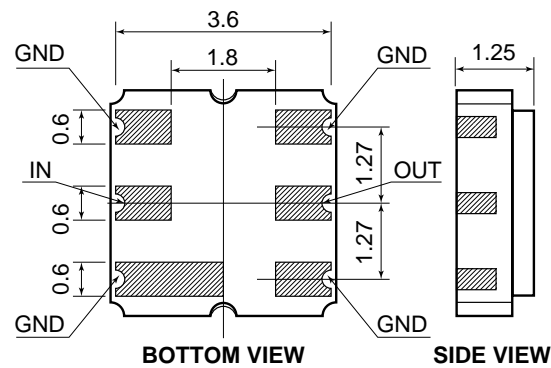
## ELECTRICAL PERFORMANCE

| Parameter                | MF1010S-1 |     |     | Units |
|--------------------------|-----------|-----|-----|-------|
|                          | Min       | Typ | Max |       |
| PASSBAND FREQUENCY       | 824 – 849 |     |     | MHz   |
| PASSBAND CHARECTERISTICS |           |     |     |       |
| Insertion Loss           |           | 3.2 | 3.8 | dB    |
| Ripple                   |           | 1.1 | 1.5 | dBp-p |
| VSWR                     |           | 2.1 | 3.0 |       |
| STOPBAND ATTENUATION     |           |     |     |       |
| 0 – 760 MHz              | 40        | 55  |     | dB    |
| 760 – 800 MHz            | 30        | 35  |     | dB    |
| 869 – 915 MHz            | 20        | 24  |     | dB    |
| 915 – 1200 MHz           | 40        | 50  |     | dB    |

## MAXIMUM RATINGS

| Rating                      | Value     | Unit |
|-----------------------------|-----------|------|
| Input Power                 | 50        | mW   |
| Operating Temperature Range | -20 to 75 | °C   |
| Storage Temperature Range   | -30 to 85 | °C   |

## PACKAGE OUTLINE DIMENSIONS



DIMENSIONS ARE IN MILLIMETERS  
±0.2 UNLESS OTHERWISE SPECIFIED

## MF1010S-1 TYPICAL CHARACTERISTICS

