

MF1118V-2

FOR DIGITAL MOBILE TELEPHONE, Tx

MF1118V-2

DESCRIPTION

This SAW filter for the RF circuit of digital mobile communication equipment operating at 1429 MHz ~ 1453 MHz.

FEATURES

1. SMD package insures small size, lightweight.
2. Adjustment free.
3. Low insertion loss and high stop band attenuation.
4. Wide and sharp passband characteristics.
5. High stability and reliability.
6. Designed for reflow solderings.

APPLICATION

- Digital mobile cellular telephone
- Portable digital cellular telephone
- Wireless equipment

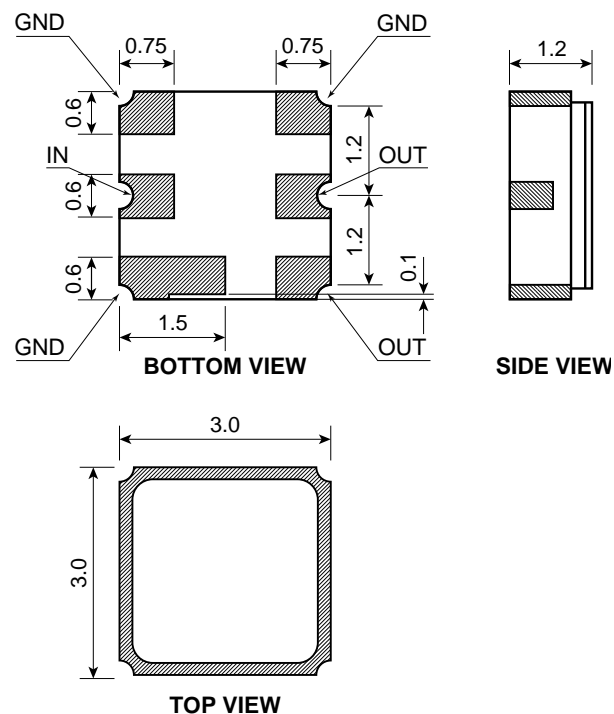
MAXIMUM RATINGS

| Rating | Value | Unit |
|-----------------------------|-----------|------|
| Input Power | 40 | mW |
| Operating Temperature Range | -20 to 75 | °C |
| Storage Temperature Range | -30 to 85 | °C |

ELECTRICAL PERFORMANCE

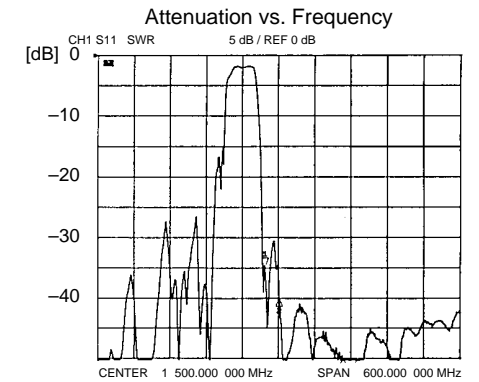
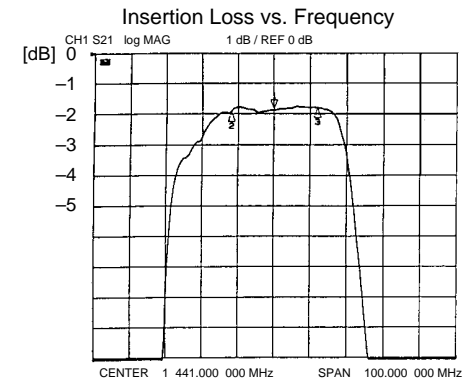
| Parameter | MF1118V-2 | | | Units |
|--------------------------|-------------|------|-----|-------|
| | Min | Typ | Max | |
| PASSBAND FREQUENCY | 1429 – 1453 | | | MHz |
| PASSBAND CHARACTERISTICS | | | | |
| Insertion Loss | | 2.3 | 3.0 | dB |
| Ripple | | 0.5 | 1.0 | dBp-p |
| VSWR | | 1.7 | 2.5 | |
| STOPBAND ATTENUATION | | | | |
| 0 – 1050 MHz | 40 | 45 | | dB |
| 1050 – 1360 MHz | 25 | 28 | | dB |
| 1477 – 1501 MHz | 17 | 25.5 | | dB |
| 1607 – 1631 MHz | 40 | 45 | | dB |
| 1785 – 1809 MHz | 37 | 46 | | dB |
| 1809 – 3000 MHz | 25 | 32 | | dB |

PACKAGE OUTLINE DIMENSIONS

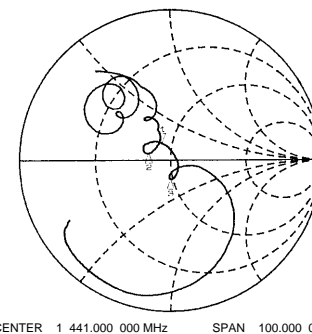


DIMENSIONS ARE IN MILLIMETERS
±0.2 UNLESS OTHERWISE SPECIFIED

MF1118V-2 TYPICAL CHARACTERISTICS

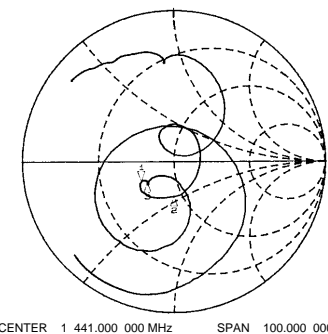


Input Reflection Coefficient vs. Frequency
CH1 S11 1 U FS



MARKER 1 : 1441 MHz
MARKER 2 : 1429 MHz
MARKER 3 : 1453 MHz

Output Reflection Coefficient vs. Frequency
CH1 S22 1 U FS



MARKER 1 : 1441 MHz
MARKER 2 : 1429 MHz
MARKER 3 : 1453 MHz