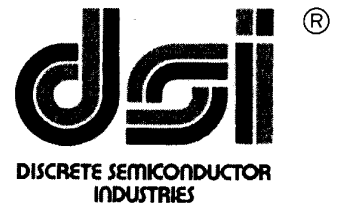


Technical Data Diode



maximum ratings

Voltage, Reverse (VR)	1200	V
Voltage, Reverse Peak (VRM)	1200	V
Current at VR = 0V (IO)	A	
Current Average Rectified (IF)	12	A
Current, Surge Peak (IZM)	A	
Current, Surge (IFM) at tp = 10 ms	200	A
Max. Power Dissipation (PT) at TC = °C	W	
Max. Thermal Resistance (Rth J-C)	2.0	°C/W
Max. Junction Temperature (TJ)	+ 175	°C

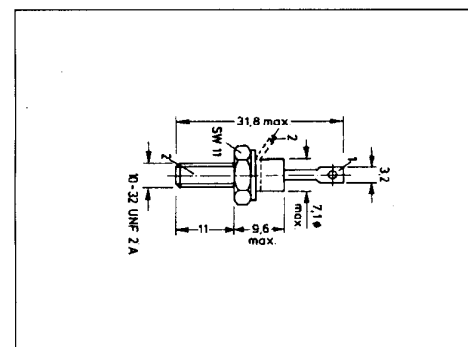
NO.	MF 12 – 1200
TYPE	Fast-Recovery
CASE	DO – 4
	CATHODE TO CASE

PERFORMANCE CHARACTERISTICS at TC = 25°C, unless otherwise noted

NO.	SYMBOL	CONDITIONS	MIN.	MAX.	UNITS
1.	VF	IF = 60 A (1)	-	2.0	V
2.	IR	VR = 1200 V, TC = 125° C	-	10	mA
3.	trr	IF = 1 A, di/dt = 25 A/μsec	-	500	ns
4.					
5.					
6.					
7.					
8.					
9.					
10.					
11.					
12.					
13.					
14.					
15.					
16.					
17.					
18.					

Notes (1) pulse-tested tp ≤ 300 μsec, duty cycle ≤ 2%
(2) typical value

DIMENSIONS
in mm



Marking MF 12-1200
Customer GENERAL PURPOSE