

### Features

- (1) Wide band: High attenuation.  
Band wide: 150kHz ~ 30MHz, 2 stage filter
- (2) Fast-on Terminals
- (3) Compact, thin type package  
Low profile metal case  
10A type: 26mm

### Safety standard

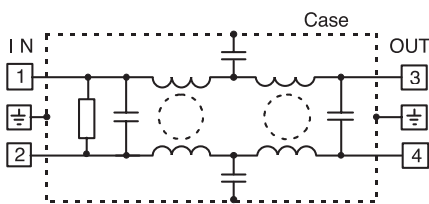
- UL1283, CSA Std. C22. 2 No. 8 (C-UL)
- VDE0565 Teil. 3
- EN133200
- (VDE0565 will expire on July 23, 2003.)

### Specifications

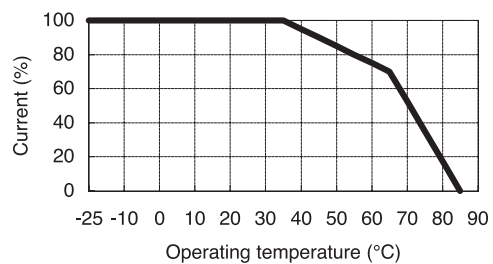
| Item | Model   | MF1206  | MF1210     | MF1216    |
|------|---|---|------------|-----------|
| 1    | Rated voltage (AC, DC)                          | 250V  |            |           |
| 2    | Rated current (AC, DC) (Note)                   | 6A  | 10A        | 16A       |
| 3    | Test voltage (terminal to case, AC 1 minute)    | 2500V (20mA) at 25°C, 70% RH  |            |           |
| 4    | Isolation resistance (terminal to case, 500VDC) | 100MΩ min. at 25°C, 70% RH  |            |           |
| 5    | Leakage current                                 | 125V, 60Hz  | 0.5mA max. |           |
|      |   | 250V, 60Hz  | 1mA max.   |           |
| 6    | DC resistance                                   | 140mΩ max.  | 50mΩ max.  | 34mΩ max. |
| 7    | Temperature rise                                | 40°C max.   |            |           |
| 8    | Operating temperature                           | -25 ~ +85°C   |            |           |
| 9    | Operating humidity                              | 30% ~ 95% RH (No dewdrop)   |            |           |
| 10   | Storage temperature                             | -40 ~ +85°C   |            |           |
| 11   | Storage humidity                                | 10% ~ 95% RH (No dewdrop)   |            |           |
| 12   | Vibration                                       | Sweep: 10 ~ 55 ~ 10 Hz (for one minute), Amplitude: 1,5 mm<br>X, Y and Z axes for 2 hours |            |           |
| 13   | Safety standard                                 | Approved by UL1283, CSA C22.2 No. 8 (C-UL), VDE0565 Teil 3 and EN133200 (VDE).            |            |           |
| 14   | Weight (typ)                                    | 190g  | 220g       | 310g      |

(Note) : Value at Ta ≤ 35°C. Refer to the derating curve shown below at Ta > 35°C.

### Circuit



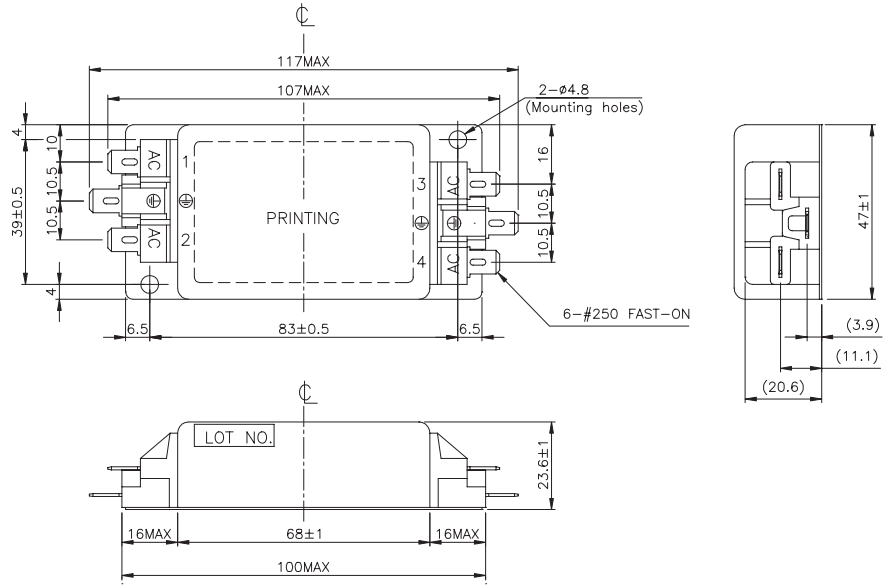
### Derating



- Request customer specification for further details of specifications, outline, characteristics, etc.  
Read the instruction manual before usage.
- Contact us about delivery before ordering.

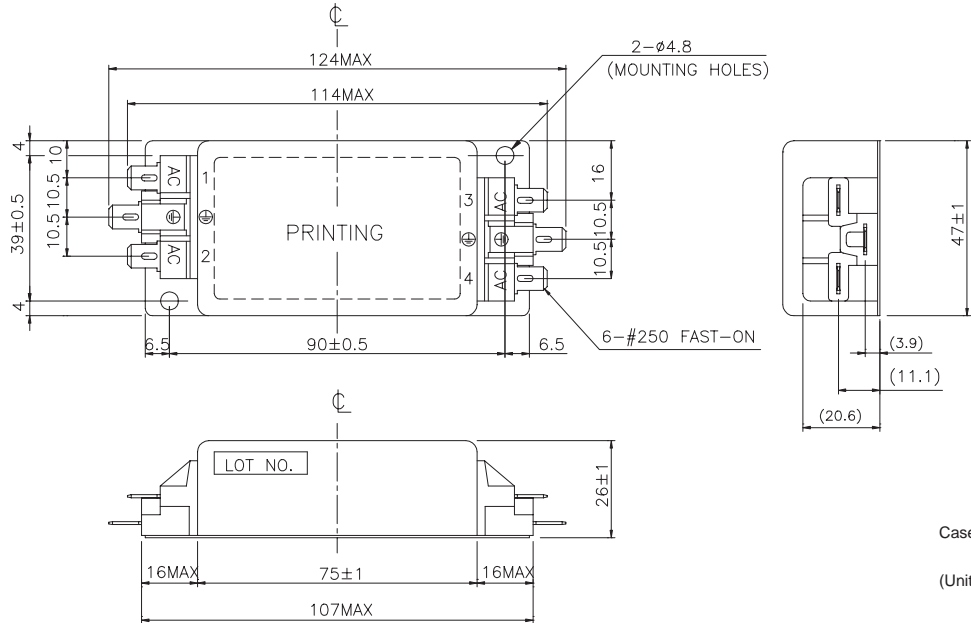
# MF-SERIES

## MF1206



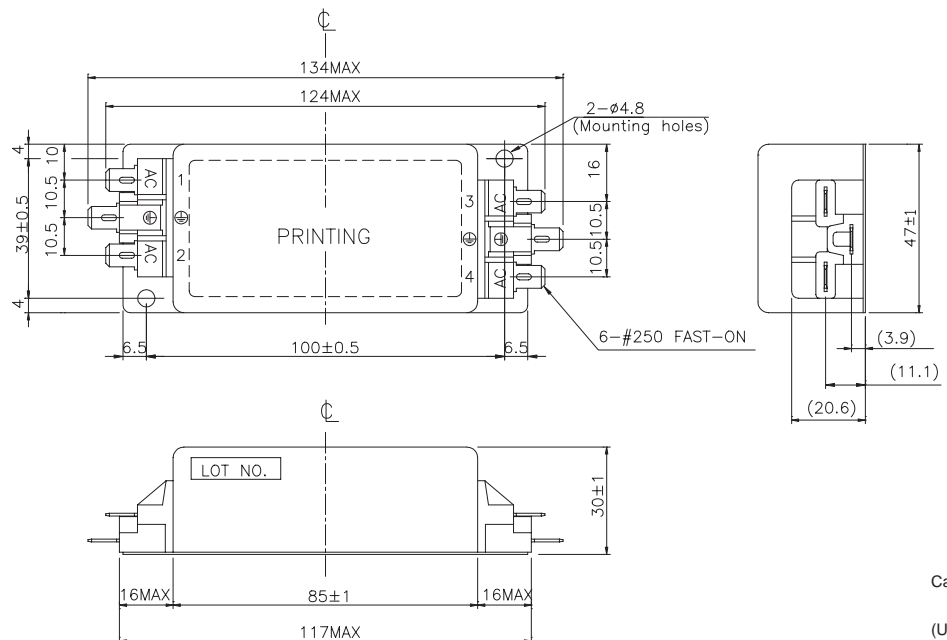
Case: Metal  
(Unit: mm)

## MF1210



Case: Metal  
(Unit: mm)

## MF1216



Case: Metal  
(Unit: mm)

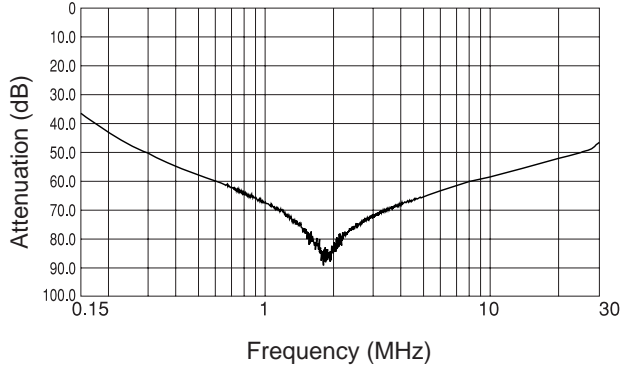
## CHARACTERISTICS

### ■ Typical Insertion Loss

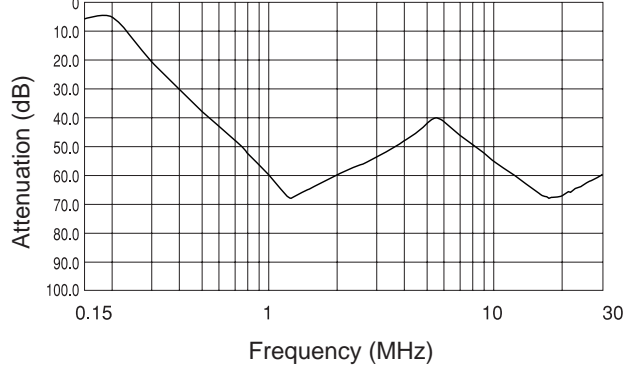
(1) Asymmetrical

(2) Symmetrical

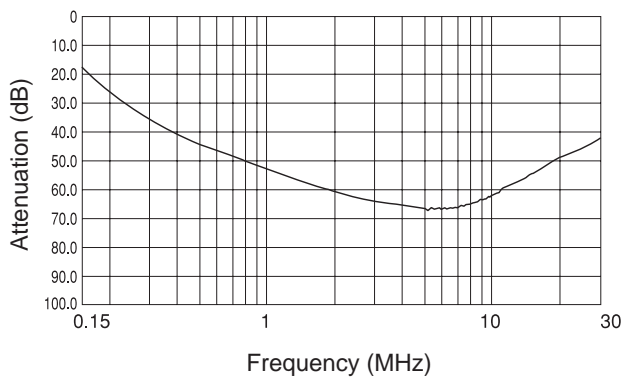
**MF1206**



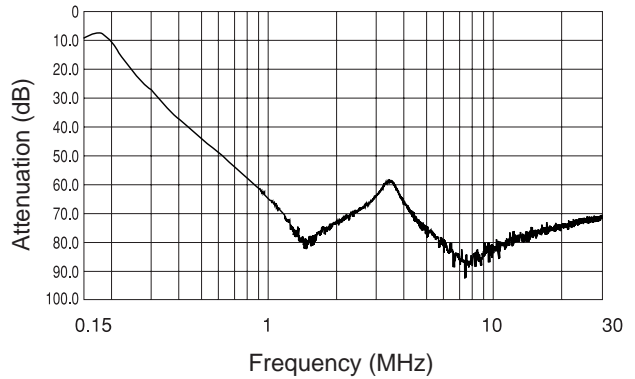
**MF1206**



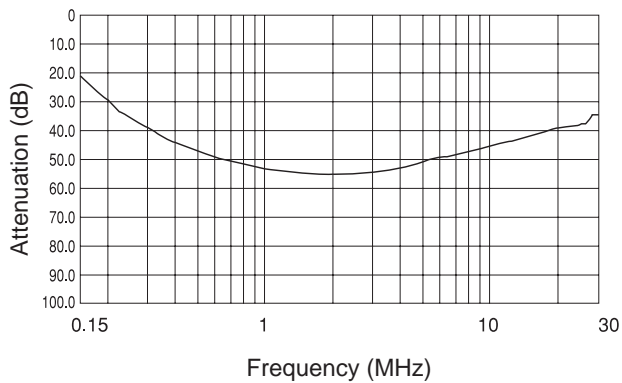
**MF1210**



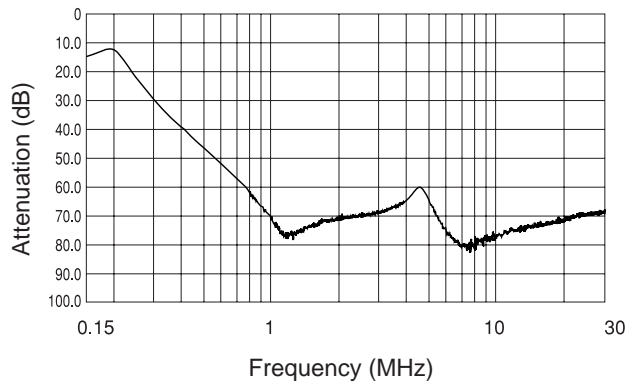
**MF1210**



**MF1216**



**MF1216**



Noise Filter