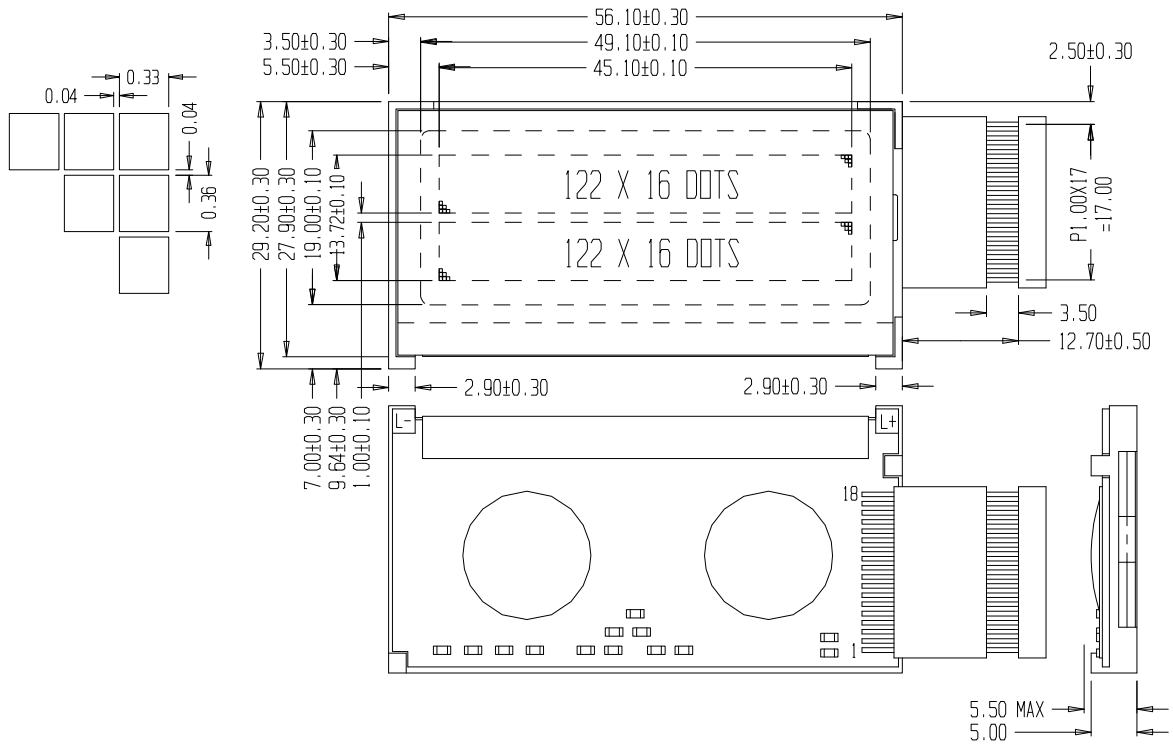


! Physical data

Item	Contents	Unit
LCD type	STN	---
LCD duty	1/32	---
LCD bias	1/5	---
Viewing direction	6	o'clock
Module size (WxHxT)	56.1 x 29.2 x 5.5MAX (2.21" x 1.15" x 0.22"MAX)	mm
Viewing area (WxH)	49.1 x 19 (1.93" x 0.75")	mm
Number of dots	122 x 32	dots
Dot size (WxH)	0.33 x 0.36 (0.013" x 0.014")	mm
Dot pitch (WxH)	0.37 x 0.40 (0.015" x 0.016")	mm

! External dimensions



! Block diagram

