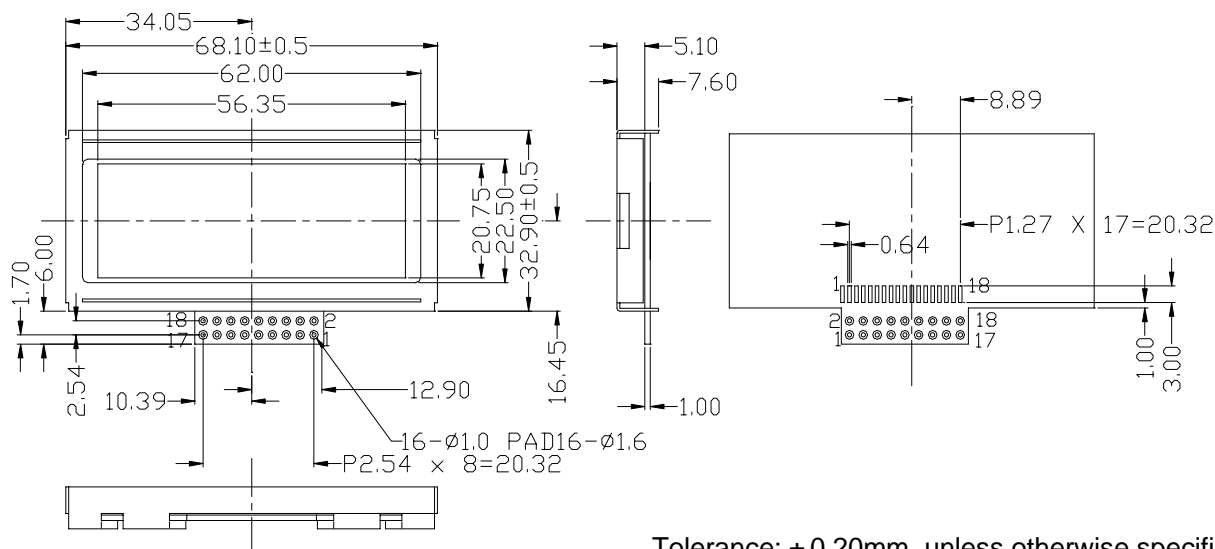


Standard LCD module

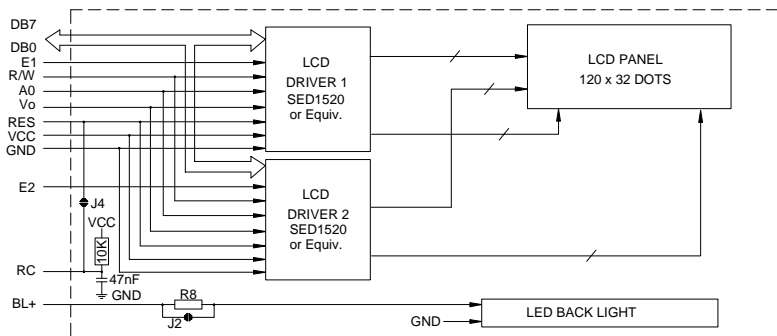
MG12032-01

OUTLINE DIMENSION

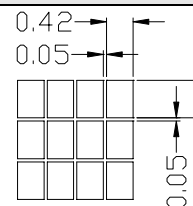


Tolerance: ± 0.20mm, unless otherwise specified.

BLOCK DIAGRAM



DISPLAY PATTERN



MECHANICAL SPECIFICATION

Item	Dimensions(W)X(H)	Unit
Overall Size	68.1x32.9	MM
View Area	62.0x22.5	MM
Dot Size	0.42x0.60	MM
Dot Pitch	0.47x0.65	MM

PIN ASSIGNMENT

Pin no	Symbol	Function
1	RST	Reset Signal
2	RC	Power-on-reset.
3	GND	Power Supply(GND)
4	VDD	Power Supply(+)
5	VO	Contrast Adjust
6	AO	Command data input
7	R/W	Data read / write
8	E1	Enable driver1
9	E2	Enable driver2
10	BL+	Back light anode
11-18	DB0-DB7	Data bus line

ABSOLUTE MAXIMUM RATING

Item	Symbol	Condition	Min	Max	Unit
Supply for logic voltage	VDD-VSS	25°C	-0.3	8.0	V
LCD driving supply voltage	VDD-VEE	25°C	-0.3	16.5	V
Input voltage	VI	25°C	-0.3	VDD+0.3	V

ELECTRICAL CHARACTERISTICS

Item	Symbol	Condition	Min	Typical	Max	Unit
Power supply voltage	VDD-VSS	25°C	2.7	---	5.5	V
LCD operation voltage	VDD-VO	0°C	5.3	5.7	6.1	V
		25°C	5.0	5.4	5.8	V
		50°C	4.7	5.1	5.5	V
LCM current consumption (No B/L)	Idd	Vdd=5V	---	1.0	2.5	mA
Back light current consumption	LED/edge	VB/L=4.2V	---	100	---	mA
	LED/array	VB/L=4.2V	---	---	---	mA

REMARKS:

- LCD options: STN, FSTN.
- Back light type: LED Back light feature.