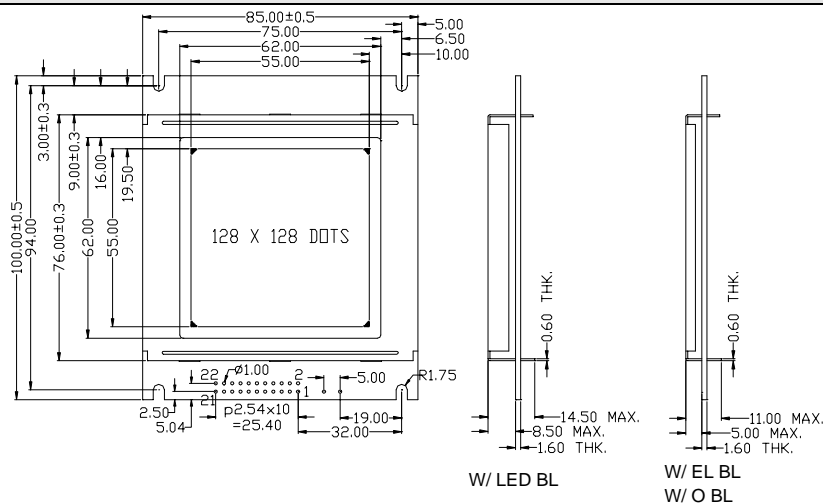
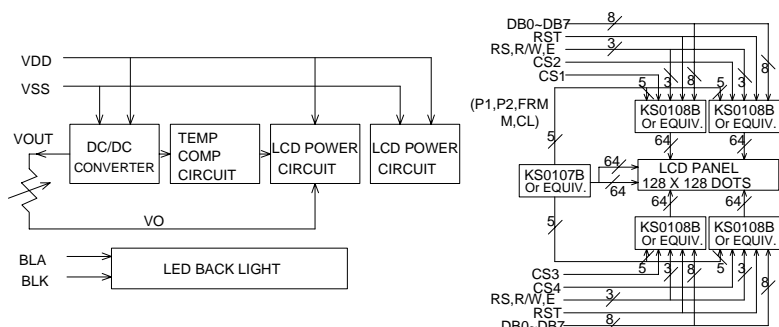


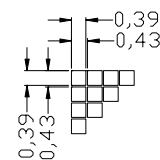
OUTLINE DIMENSION



BLOCK DIAGRAM



DISPLAY PATTERN



MECHANICAL SPECIFICATION

Item	Dimensions(W)X(H)	Unit
Overall Size	85.0x100.0	MM
View Area	62.0x62.0	MM
Dot Size	0.39x0.39	MM
Dot Pitch	0.43x0.43	MM

PIN ASSIGNMENT

Pin no	Symbol	Function
1	VSS	Power Supply(GND)
2	VDD	Power Supply(+)
3	VO	Contrast Adjust
4	RS	Data / Instruction signal
5	R/W	Read / write signal
6	E	Clock
7	RST	Reset signal
8-15	DB0~DB7	Data bus line
16	CS1	Chip selection for KS0108B(1)
17	CS2	Chip selection for KS0108B(2)
18	CS3	Chip selection for KS0108B(3)
19	CS4	Chip selection for KS0108B(4)
20	VOUT	Voltage booster output
21	BLA	Backlight anode
22	BLK	Backlight cathode

ABSOLUTE MAXIMUM RATING

Item	Symbol	Condition	Min	Max	Unit
Supply for logic voltage	V _{DD}	25°C	-0.3	7.0	V
LCD driving supply voltage	V _{DD} -V _O	25°C	0.3	19	V
Input voltage	V _I	25°C	-0.3	V _{DD} +0.3	V

ELECTRICAL CHARACTERISTICS

Item	Symbol	Condition	Min	Typical	Max	Unit
Supply voltage for logic	V _{DD}	---	4.5	5.0	5.5	V
Supply current for logic	I _{DD}	---	---	11.9	20	mA
Operation voltage for LCD	V _{DD} -V _O	0°C	12.7	13.4	14.1	V
		25°C	12.4	13.1	13.8	V
		50°C	11.9	12.6	13.3	V
Input voltage "H" level	V _{IH}	---	2.0	---	V _{DD}	V
Input voltage "L" level	V _{IL}	---	0	---	0.8	V
Supply voltage for back light	V _F	---	---	4.2	4.6	V
Supply current for back light	I _F	V _F =4.2V	---	410	800	mA

REMARKS:

- LCD options: STN, FSTN.
- Back light Options: LED\EL Back light feature.