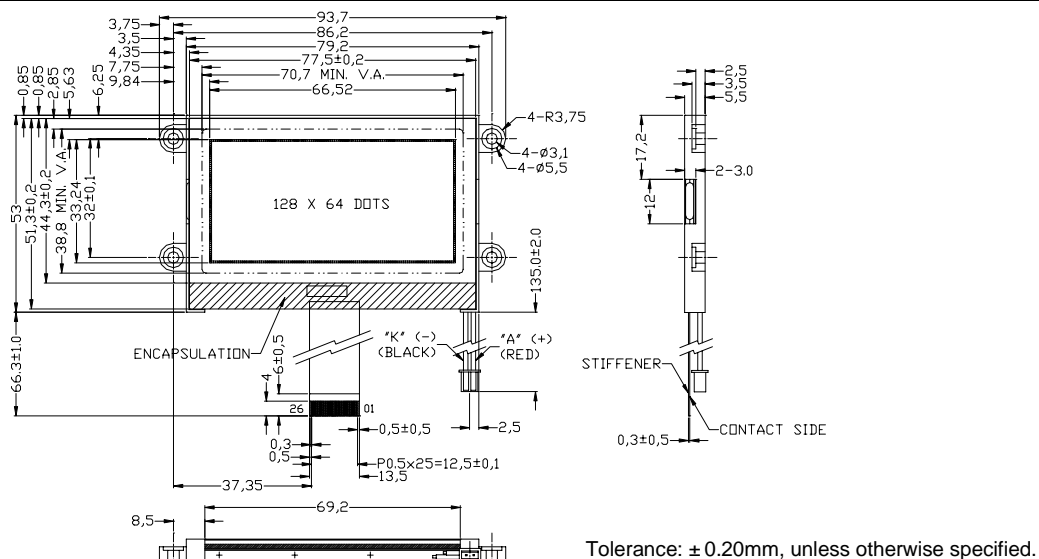
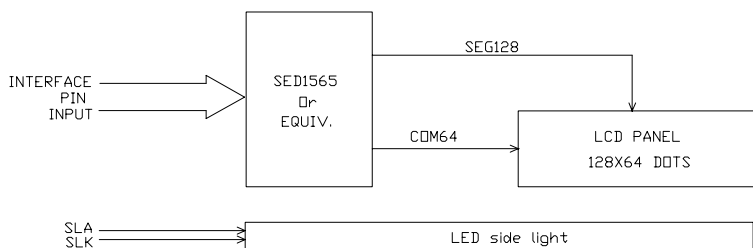


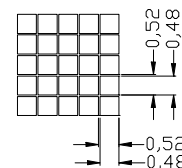
OUTLINE DIMENSION



BLOCK DIAGRAM



DISPLAY PATTERN



MECHANICAL SPECIFICATION

Item	Dimensions(W)X(H)	Unit
Overall Size	93.7x53.0	MM
View Area	70.7x38.8	MM
Dot Size	0.48x0.48	MM
Dot Pitch	0.52x0.52	MM

PIN ASSIGNMENT

Pin no	Symbol	Level	Description
1	/CS1	H-L	Chip select signal
2	/RESET	H-L	Reset
3	AO	H/L	Data / Instruction signal
4	/WR	H-L	Write signal (8080)
5	/RD	H-L	Read signal (8080)
6-13	D0-D7	H/L	Parallel data input
14	VDD	---	Power supply
15	VSS	---	Power supply
16	VOUT	---	DC/DC voltage converter
17	CAP3-	---	DC/DC voltage converter
18	CAP1+	---	DC/DC voltage converter
19	CAP1-	---	DC/DC voltage converter
20	CAP2-	---	DC/DC voltage converter
21	CAP2+	---	DC/DC voltage converter
22-26	V1-V5	---	LCD biasing voltages

ABSOLUTE MAXIMUM RATING

Item	Symbol	Condition	Min	Max	Unit
Supply for logic voltage	VDD	25°C	-0.3	7.0	V
LCD driving supply voltage	VLCD	25°C	-18	0.3	V
Input voltage	VI	25°C	-0.3	VDD+0.3	V

ELECTRICAL CHARACTERISTICS

Item	Symbol	Condition	Min	Typical	Max	Unit
Supply voltage for logic and for converter voltage	VDD	25°C	---	3.0±0.1	---	V
Current consumption	IDD	25°C	---	96.0	---	uA
Input voltage " H " level	VIH	VDD=3V	0.8VDD	---	VDD	V
Input voltage " L " level	VIL	VDD=3V	VSS	---	0.2VDD	V

REMARKS:

- LCD options: STN, FSTN.
- Back light type: LED Side light feature.