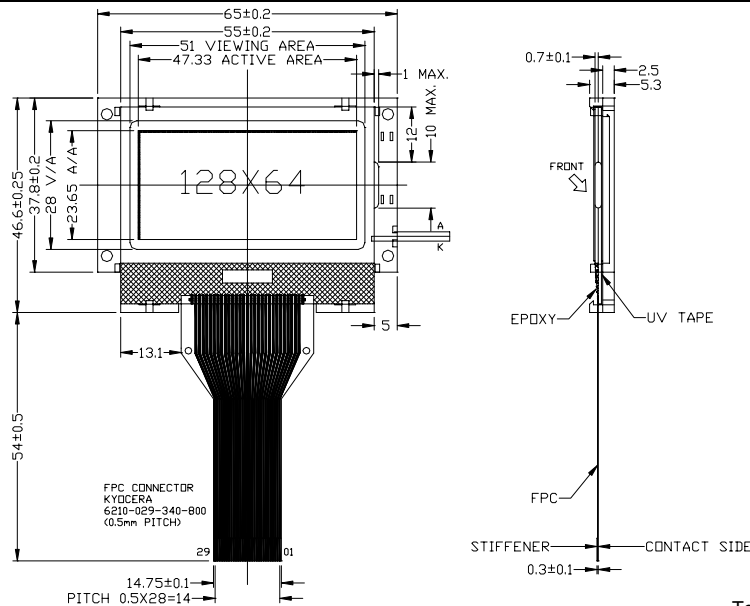
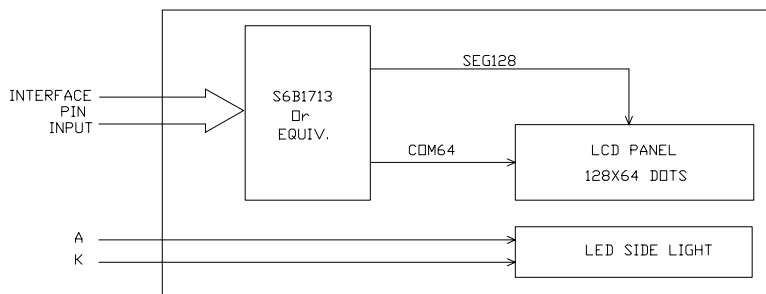
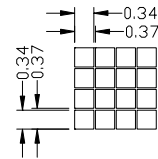


Standard LCD module
MG12864-18
OUTLINE DIMENSION


Tolerance: ±0.20mm, unless otherwise specified.

BLOCK DIAGRAM

DISPLAY PATTERN

MECHANICAL SPECIFICATION

Item	Dimensions(W)X(H)	Unit
Overall Size	65.0x46.6	MM
View Area	51.0x28.0	MM
Dot Size	0.34x0.34	MM
Dot Pitch	0.37x0.37	MM

PIN ASSIGNMENT

Pin no	Symbol	Description
1	CS	Chip select
2	RESET	Reset input pin
3	RS	Register select input pin
4	RW	Read/Write execution control pin
5	RD	Read/Write execution control pin
6-11	DB0-DB5	Data bus
12	DB6/SCLK	Serial input clock
13	DB7/SID	Serial input data
14	MI	Microprocessor interface selects input pin
15	PS	Parallel/Serial data input select input pin
16	VSS	Ground serial input data
17	VDD	Power supply serial input clock
18	VOUT	Voltage converter1/0 pin
19,20	- C3+,C3-	Positive/Negative connection for capacitor 3
21,22	C1+,C1-	Positive/Negative connection for capacitor 1
23,24	C2+,C2-	Positive/Negative connection for capacitor 2
25-29	V0-V4	Driving supply voltage

ABSOLUTE MAXIMUM RATING

Item	Symbol	Condition	Min	Max	Unit
Supply for logic voltage	VDD	25°C	-0.3	7.0	V
Supply voltage for LCD	VEE	25°C	-0.4	-12	V
Input voltage	VI	25°C	V _{DD} -0.3	V _{DD} +0.3	V

ELECTRICAL CHARACTERISTICS

Item	Symbol	Condition	Min	Typical	Max	Unit
Supply voltage for logic and for converter voltage	VDD	25°C	---	3.0±0.1	---	V
Current consumption	I _{DD}	25°C	---	70.0	---	uA
Input voltage " H " level	V _{IH}	V _{DD} =3V	0.8V _{DD}	---	V _{DD}	V
Input voltage " L " level	V _{IL}	V _{DD} =3V	V _{SS}	---	0.2V _{DD}	V

REMARKS:

- LCD options: STN, FSTN.
- Back light type: LED Side light feature.