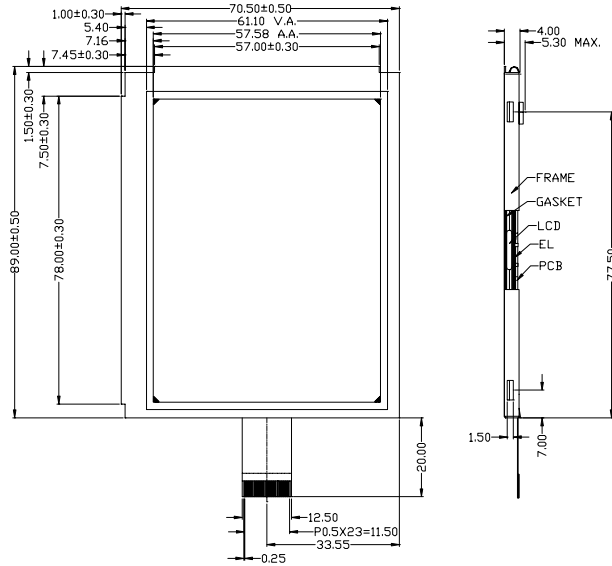
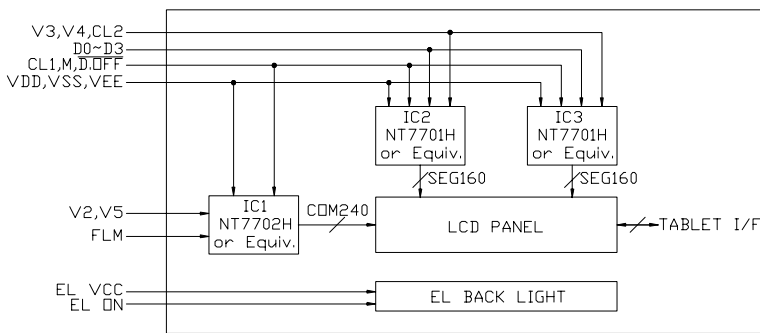


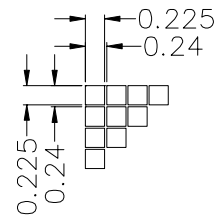
**OUTLINE DIMENSION**(The tolerance unless classified is +/-0.20mm)



**BLOCK DIAGRAM**



**DISPLAY PATTERN**



**MECHANICAL SPECIFICATION**

Item	Dimensions(W)X(H)	Unit
Overall Size	70.5x89.0	MM
View Area	61.1x80.55	MM
Dot Size	0.225x0.225	MM
Dot Pitch	0.24x0.24	MM

**PIN ASSIGNMENT**

Pin no	Symbol	Function
1-2	V5,V2	Supply voltage for LCD driver bias
3	VEE	Supply voltage for LCD driver
4	VDD	Supply voltage for logic
5	FLM	Frame signal
6	VSS	Ground
7	CL1	Latch pulse input for display data
8	VSS	Ground
9	M	AC signal input for LCD driving wave form
10	/D.OFF	Control input for output deselect level
11	CL2	Clock input for taking display data
12,13	V4,V3	Supply voltage for LCD driver voltage bias
14-17	D3-D0	Data bus 3-0
18	NC	No connection
19-22	TP(X2,Y1,X1,Y2)	Touch panel (X2,Y1,X1,Y2)
23,24	EL VCC,EL	EL light AC supply

**ABSOLUTE MAXIMUM RATING**

Item	Symbol	Condition	Min	Max	Unit
Supply for logic voltage	VDD	25	-0.3	7.0	V
LCD driving supply voltage	VDD-Vo	25	-0.3	30	V
Input voltage	VI	25	-0.3	VDD	V

**ELECTRICAL CHARACTERISTICS**

Item	Symbol	Condition	Min	Typical	Max	Unit
Supply voltage for logic	VDD	---	2.7	---	5.5	V
Supply current for logic	IDD	---	---	400	500	mA
Operation voltage for LCD	VDD-Vo	0	20.4	21.5	22.6	V
		25	19.6	20.7	21.8	V
		50	18.8	19.9	21.0	V
Input voltage H level	VIH	---	0.7VDD	---	VDD	V
Input voltage L level	VIL	---	0	---	0.3VDD	V
Supply voltage for EL	VF	---	---	100	150	V
Supply frequency for EL	Freq	VF=4.2V	---	400	1000	mA

**REMARKS:**

- LCD options:STN, FSTN.
- Back light Options:EL Back light feature, other Specs not available on catalog is under request.