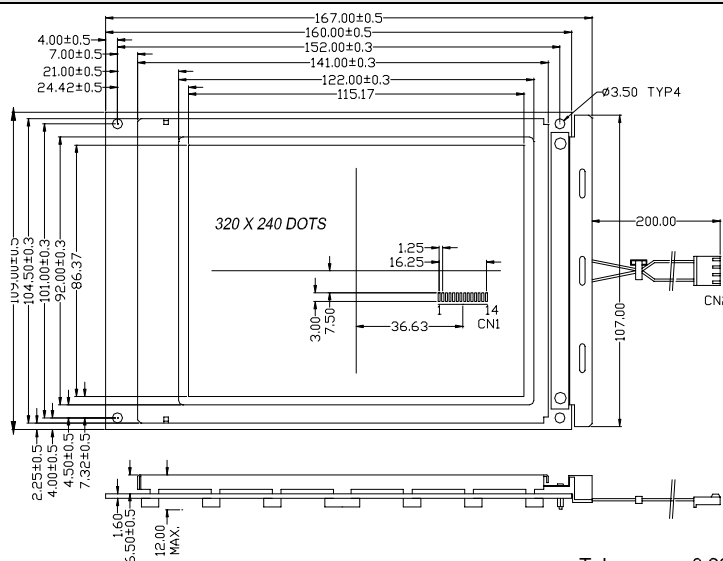
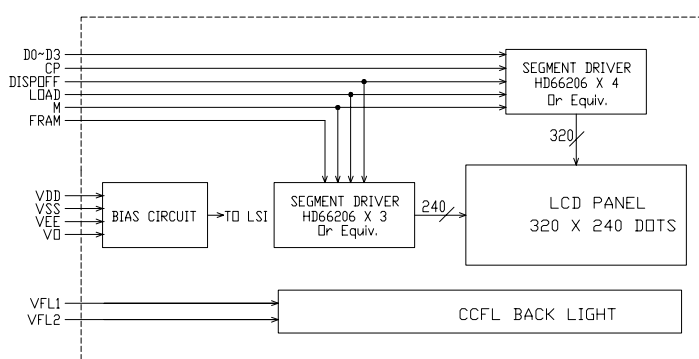
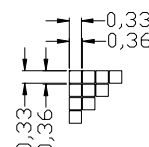


OUTLINE DIMENSION


Tolerance: ±0.20mm, unless otherwise specified.

BLOCK DIAGRAM

DISPLAY PATTERN

MECHANICAL SPECIFICATION

Item	Dimensions(W)X(H)	Unit
Overall Size	167.0x109.0	MM
View Area	122.0x92.0	MM
Dot Size	0.33x0.33	MM
Dot Pitch	0.36x0.36	MM

PIN ASSIGNMENT

CN1		
1-4	D0-D3	Data bit 0-3
5	DISPOFF	Display on/off
6	Frame	Frame signal
7	M	Frame inversion signal
8	LOAD	Latch pulse / row clock
9	CP	Pixel / data clock
10	VDD	Supply voltage for logic
11	VSS	Ground
12	VEE	LCD supply voltage
13	VO	Contrast adjust
14	FGND	Frame ground
CN2		
1	VFL1	Supply voltage for CCFL
2	NC	No connection
3	NC	No connection
4	VFL2	Supply voltage for CCFL

ABSOLUTE MAXIMUM RATING

Item	Symbol	Condition	Min	Max	Unit
Supply for logic voltage	VDD	25°C	-0.3	7.0	V
LCD driving supply voltage	VEE	25°C	15	30.0	V
Input voltage	VI	25°C	-0.3	VDD+0.3	V

ELECTRICAL CHARACTERISTICS

Item	Symbol	Condition	Min.	Typical	Max.	Unit
Supply voltage for logic	VDD	---	4.5	5.0	5.5	V
Supply current for logic	IDD	---	---	10	16	mA
Operation voltage for LCD	VEE	0°C	22.1	23.3	24.5	V
		25°C	21.2	22.4	23.6	V
		50°C	20.2	21.4	22.6	V
Input voltage "H" level	VIH	---	0.7VDD	---	VDD	V
Input voltage "L" level	VIL	---	0	---	0.3VDD	V
Supply voltage for CCFL	VF	---	---	290	---	Vrms
Supply current for CCFL	IF	VF=290Vrms	---	5m	---	Arms

REMARKS:

- LCD options: STN, FSTN.
- Back light type: CCFL Back light feature.