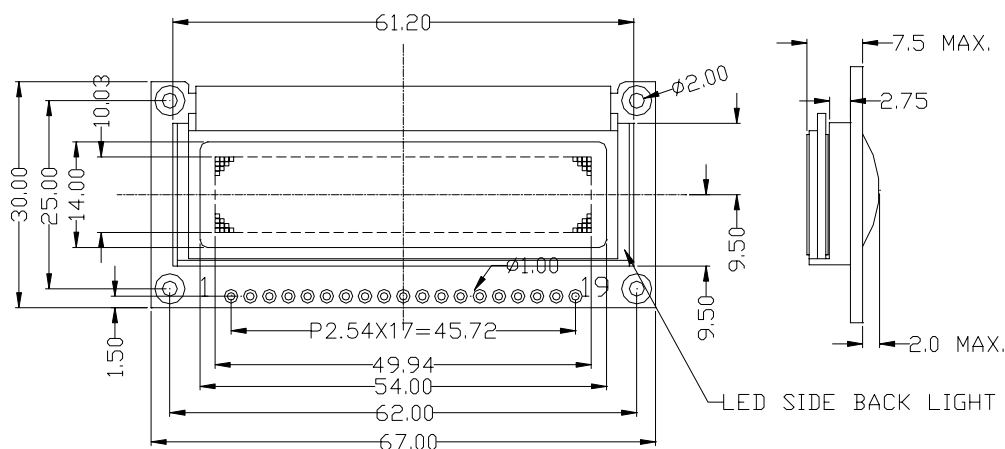
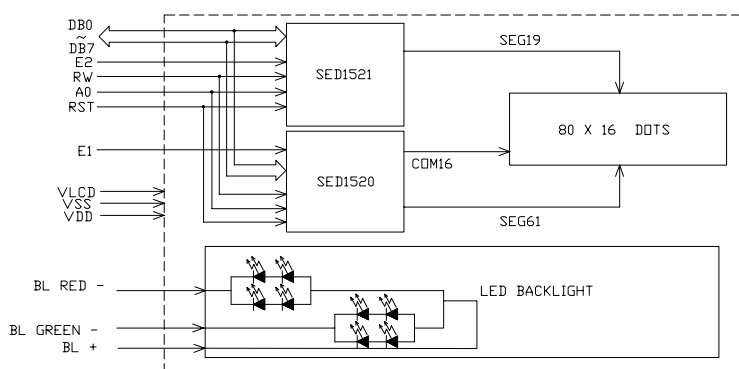


OUTLINE DIMENSION

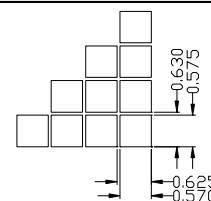


Tolerance: ± 0.20mm, unless otherwise specified.

BLOCK DIAGRAM



DISPLAY PATTERN



MECHANICAL SPECIFICATION

Item	Dimensions(W)X(H)	Unit
Overall Size	67.0x30.0	MM
View Area	54.0x14.0	MM
Dot Size	0.57x0.575	MM
Dot Pitch	0.625x0.630	MM

PIN ASSIGNMENT

Pin no	Symbol	Function
1	VDD	Supply voltage for logic
2	VSS	Power Supply(GND)
3	VLCD	Contrast adjust
4	RST	Reset the system
5	E1	Resd/write enable signal(master)
6	E2	Read/write enable signal(slave)
7	R/W	H:Read mode/ L:Write mode
8	A0	H:Data single/ L:Instruction single
9	DB0-DB7	Data bus line
10	BL RED-	Supply voltage for backlight red
18	BL green-	Supply voltage for backlight green
19	BL+	Supply voltage for backlight

ABSOLUTE MAXIMUM RATING

Item	Symbol	Condition	Min	Max	Unit
Supply for logic voltage	VDD	25°C	0	6.7	V
Supply voltage for LCD	VLCD	25°C	0	10.0	V
Input voltage	VI	25°C	0	VDD	V

ELECTRICAL CHARACTERISTICS

Item	Symbol	Condition	Min	Typical	Max	Unit
Supply voltage for logic	VDD	---	4.5	5.0	5.5	V
Supply current for logic	IDD	---	---	0.3	1.0	mA
Operation voltage for LCD	VDD-VLCD	0°C	5.2	5.5	5.8	V
		25°C	5.1	5.4	5.7	V
		50°C	4.9	4.2	5.5	V
Input voltage " H " level	VIH	---	0.8VDD	---	VDD	V
Input voltage " L " level	VIL	---	0	---	0.2VDD	V
Supply voltage for back light	VF	---	---	4.2	4.4	V
Supply current for back light	IF	VF=4.2V	---	100	150	mA

REMARKS:

- LCD options: STN, FSTN.
- Back light type: Dual color LED Back light feature.