

MGA-43528

High Linearity (1.93 – 1.995) GHz Power Amplifier Module



Data Sheet

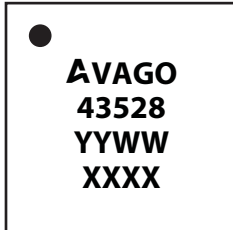
Description

Avago Technologies' MGA-43528 is a fully matched power amplifier for use in the (1.93 – 1.995) GHz band. High linear output power at 5V is achieved through the use of Avago Technologies' proprietary 0.25um GaAs Enhancement-mode pHEMT process. MGA-43528 is housed in a miniature 5.0mm x 5.0mm molded-chip-on-board (MCOB) module package. A detector is also included on-chip. The compact footprint coupled with high gain, high linearity and good efficiency makes the MGA-43528 an ideal choice as a power amplifier for small cell BTS PA applications.

Applications

- Final and driver stage high linearity amplifier for Picocell and Enterprise Femtocell basestations

Component Image

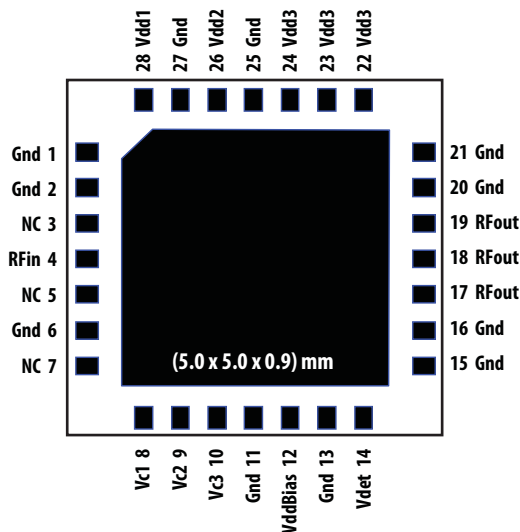


TOP VIEW

5.0 x 5.0 x 0.9 mm Package Outline

Note:
Package marking provides orientation and identification
"43528" = Device part number
"YYWW" = year and work week
"XXXX" = assembly lot number

Pin Configuration



Features

- High linearity performance : Max -50dBc ACLR1 [1] at 27.2Bm linear output power (biased with 5V supply)
- High gain : 41.9dB
- Good efficiency
- Fully matched input and output
- Built-in RF detector
- GaAs E-pHEMT Technology [2]
- Low cost small package size: (5.0 x 5.0 x 0.9) mm
- MSL3
- Lead free/Halogen free/RoHS compliance

Specifications

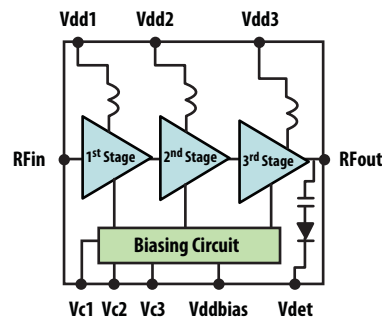
Freq=1.96GHz; Vdd= 5.0V, Idqtotal=400mA (typ) [1]

- PAE : 13.6%
- 27.2dBm linear Pout @ ACLR1 = -50dBc
- 41.9dB Gain
- Detector range : 20dB

Note:

1. W-CDMA Test model #1, 64DPCH downlink signal.
2. Enhancement mode technology employs positive Vgs, thereby eliminating the need of negative gate voltage associated with conventional depletion mode devices.

Functional Block Diagram



Attention: Observe precautions for handling electrostatic sensitive devices.

ESD Machine Model = 60 V
ESD Human Body Model = 430 V
Refer to Avago Application Note A004R:
Electrostatic Discharge, Damage and Control.

Absolute Maximum Rating^[1] $T_A = 25^\circ\text{C}$

Symbol	Parameter	Units	Absolute Max.
Vdd, VddBias	Supply voltages, bias supply voltage	V	6
Vc	Control Voltage	V	(Vdd)
P _{in,max}	CW RF Input Power	dBm	20
P _{diss}	Total Power Dissipation ^[3]	W	7.2
T _j	Junction Temperature	°C	150
T _{STG}	Storage Temperature	°C	-65 to 150

Thermal Resistance^[2,3]

$\theta_{jc} = 13^\circ\text{C/W}$

Notes:

1. Operation of this device in excess of any of these limits may cause permanent damage.
2. Thermal resistance measured using Infra-Red Measurement Technique at Vdd = 5.5 V operating voltage.
3. Board temperature (TB) is 25° C, for TB > 56.4° C derate the device power at 77 mW per °C rise in Board (package belly) temperature.

Electrical Specifications

$T_A = 25^\circ\text{C}$, Vdd = VddBias = 5.0V, Vc1 = 2.4V, Vc2 = 1.6V, Vc3 = 2.2V, Idqtotal = 400mA, RF performance at 1.96 GHz, W-CDMA Test model #1, 64DPCH downlink signal operation unless otherwise stated.

Symbol	Parameter and Test Condition	Units	Min.	Typ.	Max.
Vdd	Supply Voltage	V		5.0	
Idqtotal	Quiescent Supply Current	mA		400	600
Gain	Gain	dB	38	41.9	
OP1dB	Output Power at 1dB Gain Compression	dBm		37.2	
ACLR1 @ Pout = 27.2 dBm	W-CDMA Test model #1, 64DPCH downlink signal	dBc		-50	
PAE @ Pout = 27.2 dBm	Power Added Efficiency	%	11.5	13.6	
S11	Input Return Loss, 50 Ω source	dB		17.3	
DetR	Detector RF dynamic range	dB		20	

$T_A = 25^\circ\text{C}$, Vdd = VddBias = 5.5V, Vc1 = 2.4V, Vc2 = 1.6V, Vc3 = 2.2V, Idqtotal = 490mA, RF performance at 1.96 GHz, W-CDMA Test model #1, 64DPCH downlink signal operation unless otherwise stated.

Symbol	Parameter and Test Condition	Units	Typ.
Vdd	Supply Voltage	V	5.5
Idqtotal	Quiescent Supply Current	mA	490
Gain	Gain	dB	41.9
OP1dB	Output Power at 1dB Gain Compression	dBm	37.6
ACLR1 @ Pout = 27.9 dBm	W-CDMA Test model #1, 64DPCH downlink signal	dBc	-50
PAE @ Pout = 27.9 dBm	Power Added Efficiency	%	13.2
S11	Input Return Loss, 50 Ω source	dB	17.5
DetR	Detector RF dynamic range	dB	20

Product Consistency Distribution Charts [1]

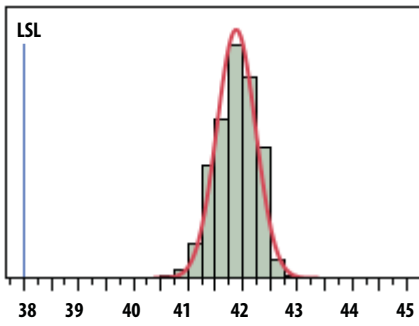


Figure 1. Gain at Pout=27.2dBm; LSL=38dB, Nominal = 41.9dB

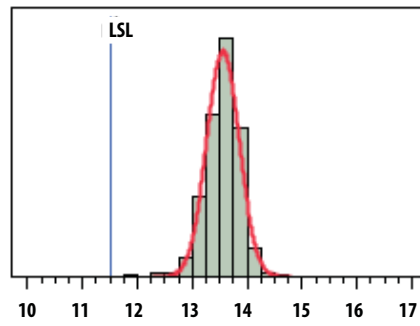


Figure 2. PAE at Pout=27.2dBm; LSL=11.5% Nominal = 13.6%

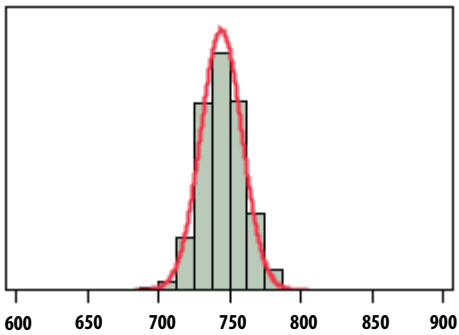


Figure 3. Idd_Total at Pout=27.2dBm, Nominal = 755mA

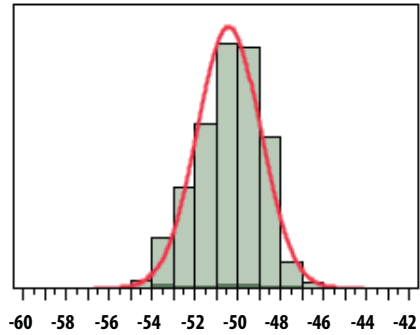


Figure 4. ACLR1 at Pout=27.2dBm, Nominal = -50.3dBc

Note:

1. Distribution data sample size is 2600 samples taken from 3 different wafer lots. TA = 25°C, Vdd=VddBias = 5.0V, Vc1=2.4V, Vc2=1.6V, Vc3=2.2V, RF performance at 1.96GHz unless otherwise stated. Future wafers allocated to this product may have nominal values anywhere between the upper and lower limits.

MGA-43528 typical over-temperature performance at $V_{c1}=2.4V$, $V_{c2}=1.6V$, $V_{c3}=2.2V$ as shown in Figure 30 unless otherwise stated

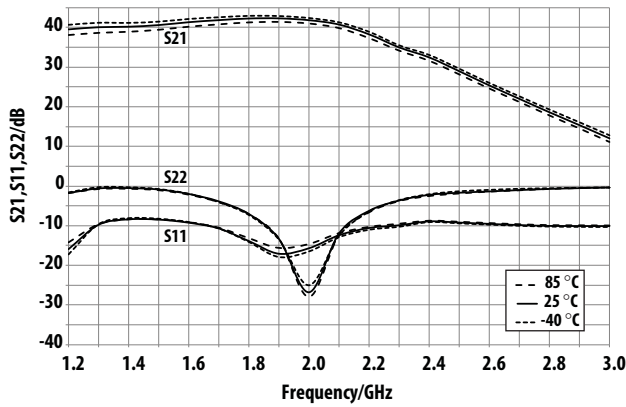


Figure 5. Small-signal performance Over-temperature $V_{dd}=V_{ddBias}=5.0V$ operating voltage

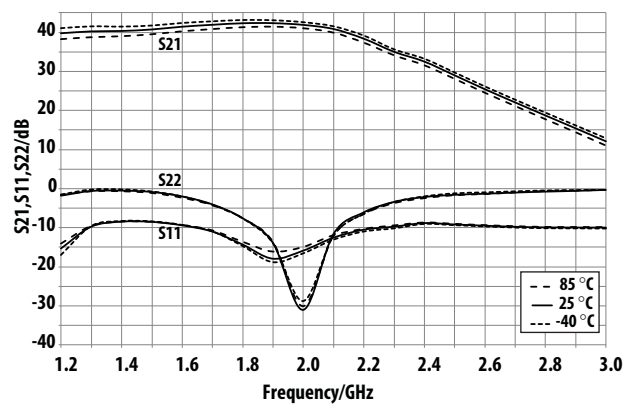


Figure 6. Small-signal performance Over-temperature $V_{dd}=V_{ddBias}=5.5V$ operating voltage

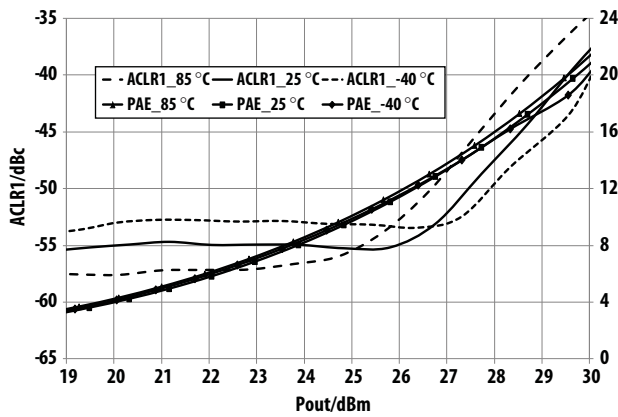


Figure 7. Over-temperature ACLR1, PAE vs P_{out} @ 1.93GHz $V_{dd}=V_{ddBias}=5.0V$ operating voltage

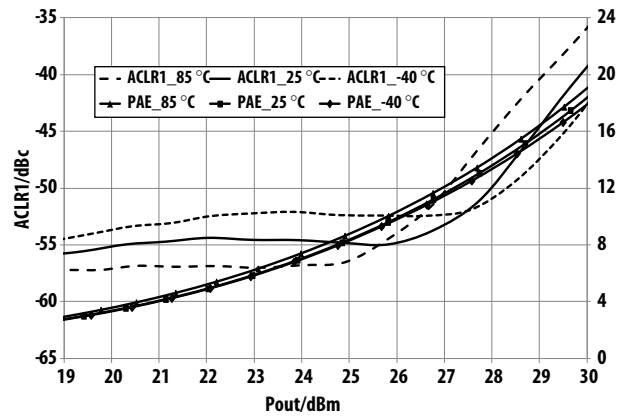


Figure 8. Over-temperature ACLR1, PAE vs P_{out} @ 1.93GHz $V_{dd}=V_{ddBias}=5.5V$ operating voltage

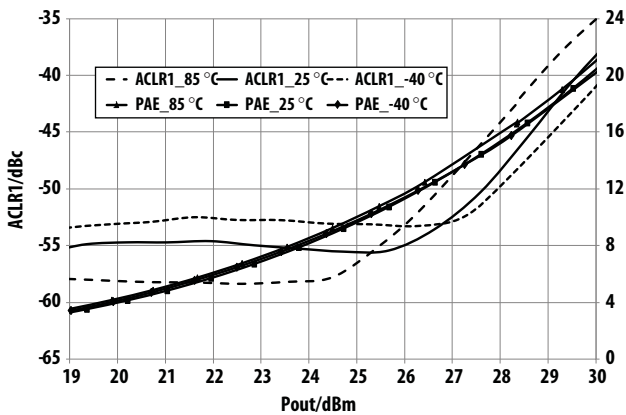


Figure 9. Over-temperature ACLR1, PAE vs P_{out} @ 1.96GHz $V_{dd}=V_{ddBias}=5.0V$ operating voltage

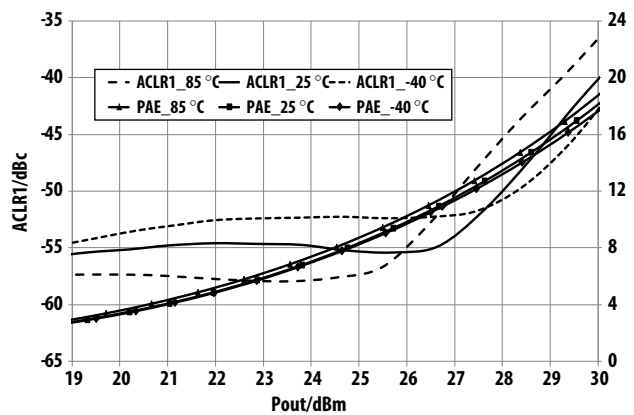
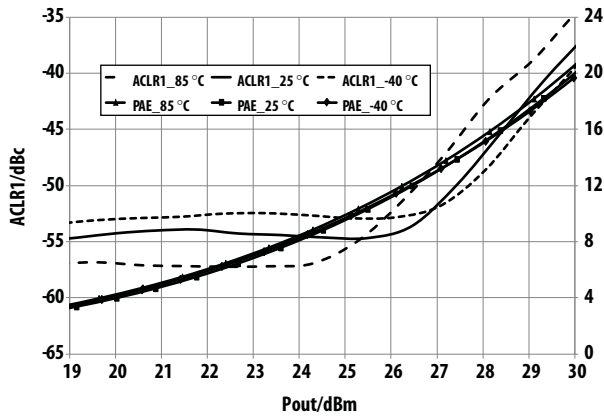
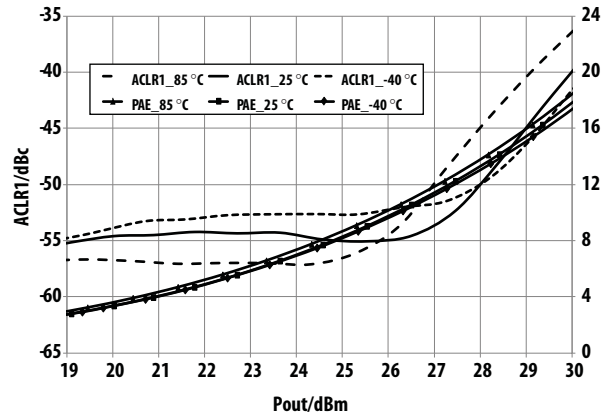


Figure 10. Over-temperature ACLR1, PAE vs P_{out} @ 1.96GHz $V_{dd}=V_{ddBias}=5.5V$ operating voltage

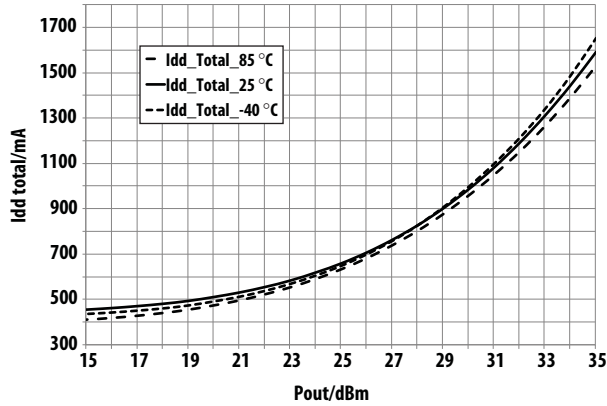
MGA-43528 typical over-temperature performance at Vc1=2.4V, Vc2=1.6V, Vc3=2.2V unless otherwise stated



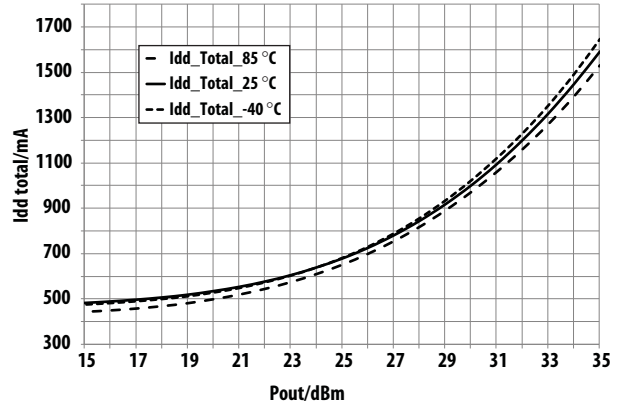
**Figure 11. Over-temperature ACLR1, PAE vs Pout @ 1.995GHz
Vdd=VddBias=5.0V operating voltage**



**Figure 12. Over-temperature ACLR1, PAE vs Pout @ 1.995GHz
Vdd=VddBias=5.5V operating voltage**



**Figure 13. Over-temperature Idd_total vs Pout @ 1.96GHz
Vdd=VddBias=5.0V operating voltage**



**Figure 14. Over-temperature Idd_total vs Pout @ 1.96GHz
Vdd=VddBias=5.5V operating voltage**

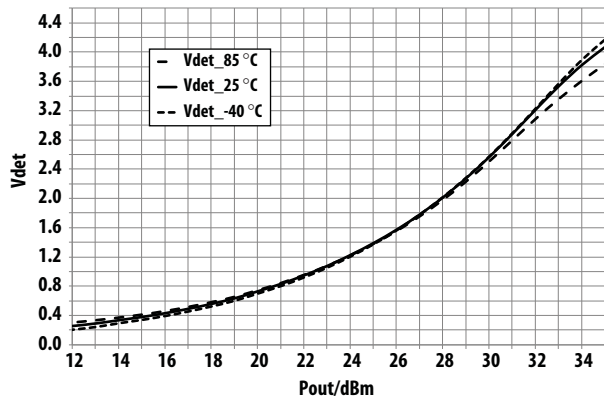


Figure 15. Over-temperature Vdet vs Pout @ 1.96GHz Vdd=VddBias=5.0V operating voltage

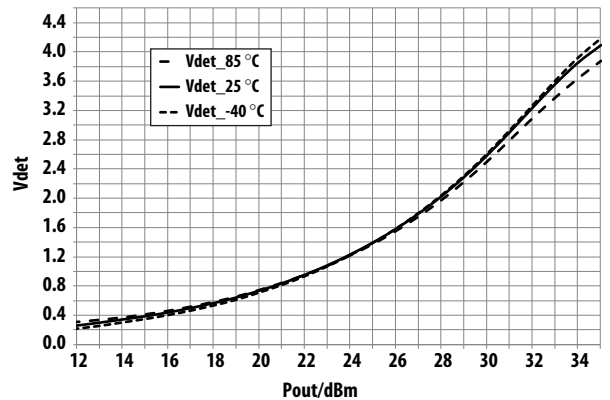
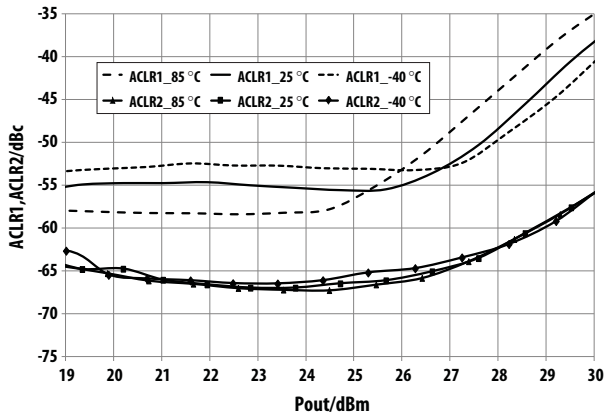
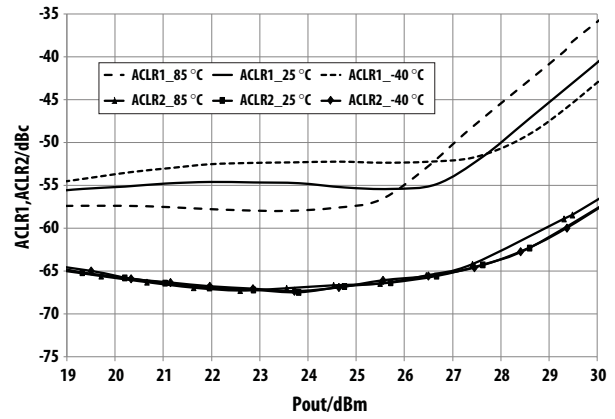


Figure 16. Over-temperature Vdet vs Pout @ 1.96GHz Vdd=VddBias=5.5V operating voltage

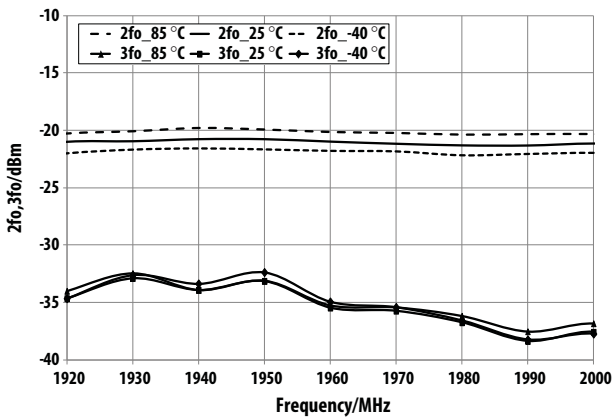
MGA-43528 typical over-temperature performance at Vc1=2.4V, Vc2=1.6V, Vc3=2.2V unless otherwise stated



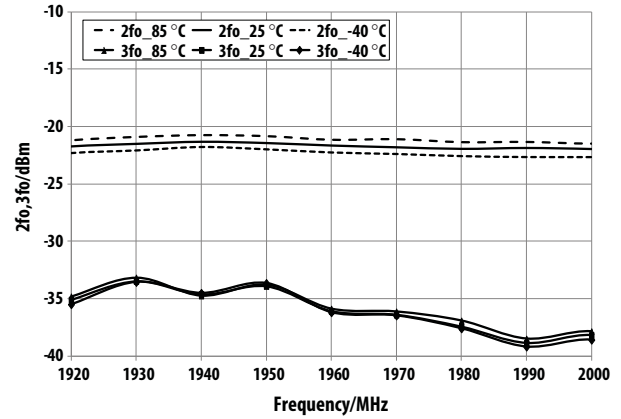
**Figure 17. Over-temperature ACLR1, ACLR2 Pout @ 1.96GHz
Vdd=VddBias=5.0V operating voltage**



**Figure 18. Over-temperature ACLR1, ACLR2 vs Pout @ 1.96GHz
Vdd=VddBias=5.5V operating voltage**



**Figure 19. Over-temperature 2nd, 3rd Harmonics vs Freq at Pout=27.2dBm,
Vdd=VddBias=5.0V operating voltage**



**Figure 20. Over-temperature 2nd, 3rd Harmonics vs Freq at Pout=27.2dBm,
Vdd=VddBias=5.5V operating voltage**

MGA-43528 typical over-temperature performance at Vc1=2.4V, Vc2=1.6V, Vc3=2.2V unless otherwise stated

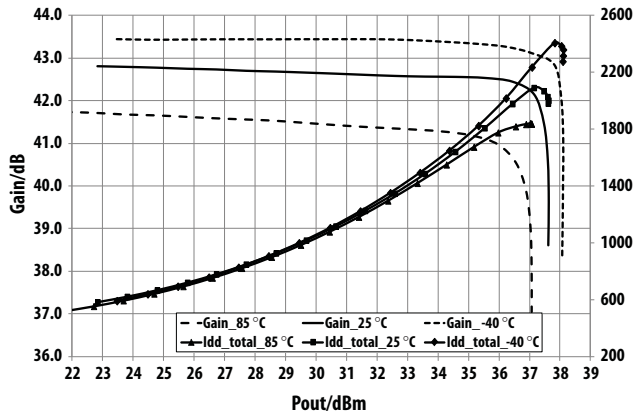


Figure 21. Over-temperature Gain, Idd_total vs Pout @ 1.96GHz
Vdd=VddBias=5.0V operating voltage

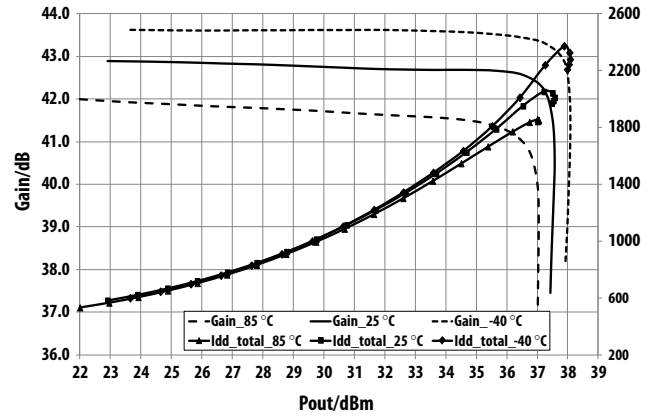


Figure 22. Over-temperature Gain, Idd_total vs Pout @ 1.93GHz
Vdd=VddBias=5.0V voltage

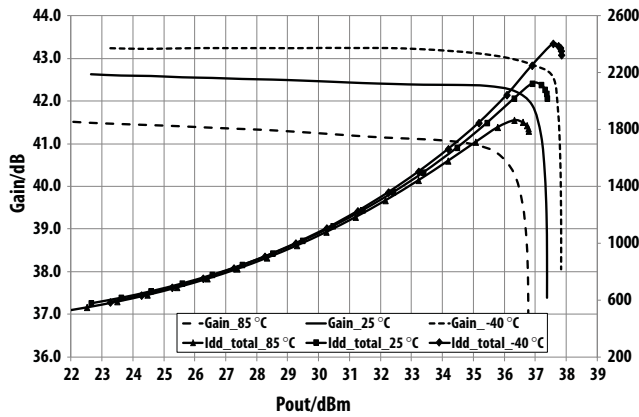


Figure 23. Over-temperature Gain, Idd_total vs Pout @ 1.995GHz
Vdd=VddBias=5.0V operating voltage

MGA-43528 typical 3GPP W-CDMA Test model #1 Spectrum Emission Mask performance at Vdd=VddBias=5.0V, Vc1=2.4V, Vc2=1.6V, Vc3=2.2V unless otherwise stated

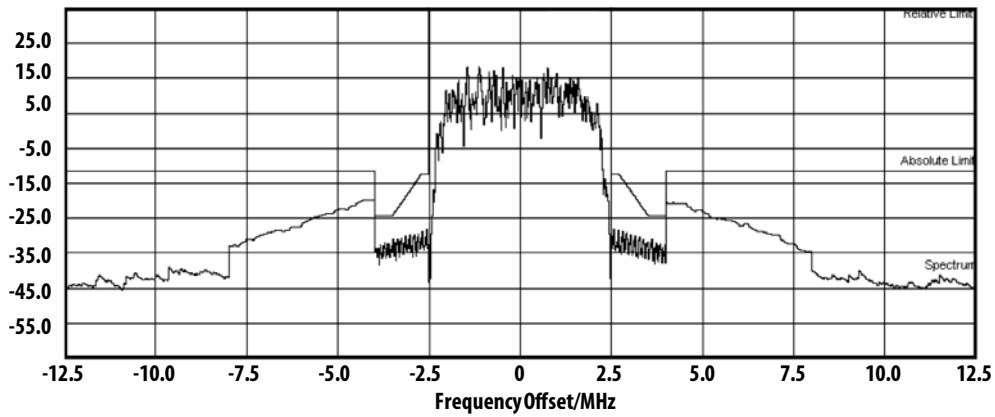


Figure 24. SEM at Pout=28dBm @ 1.93GHz

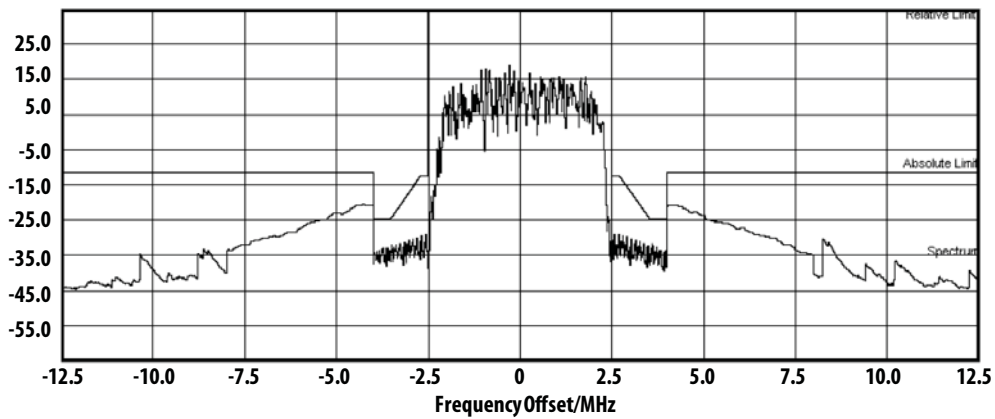


Figure 25. SEM at Pout=28dBm @ 1.96GHz

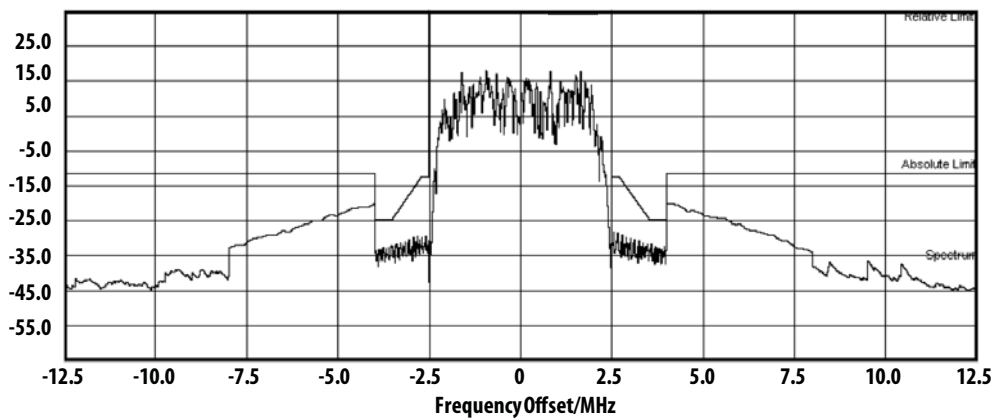


Figure 26. SEM at Pout=28dBm @ 1.995GHz

MGA-43528 typical LTE Downlink (E-TM1.1) 10MHz 50RB performance at Vdd=VddBias=5.0V, Vc1=2.4V, Vc2=1.6V, Vc3=1.9V unless otherwise stated

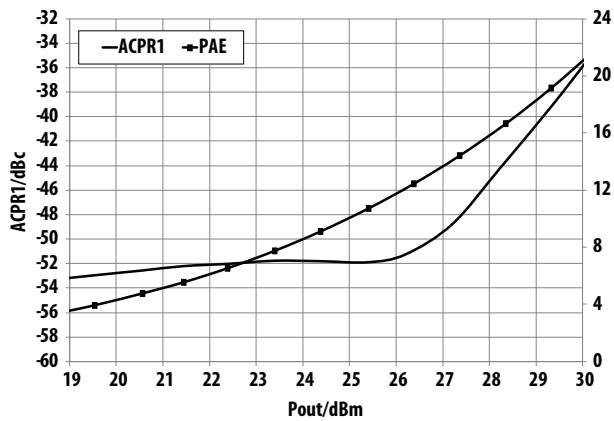


Figure 27. ACPR1, PAE vs Pout @ 1.93GHz

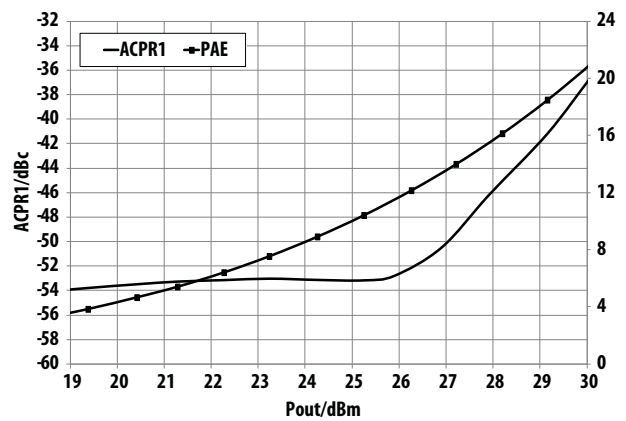


Figure 28. ACPR1, PAE vs Pout @ 1.96GHz

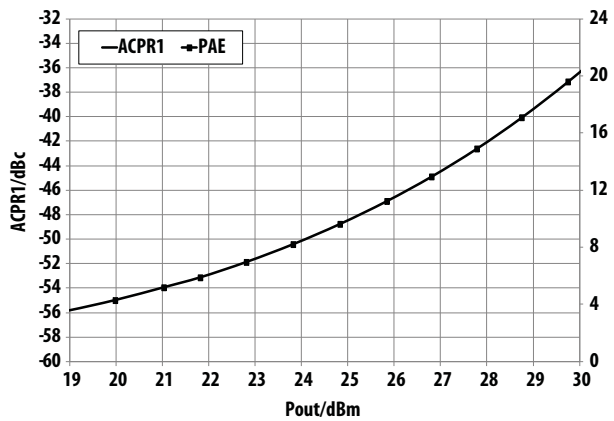


Figure 29. ACPR1, PAE vs Pout @ 1.995GHz

S-Parameter^[5] (Vdd=VddBias=5.0V, Vc1=2.4V, Vc2=1.6V, Vc3=2.2V, T_A=25 °C, 50ohm)

Freq	S11	S11	S21	S21	S12	S12	S22	S22
(GHz)	(dB)	(ang)	(dB)	(ang)	(dB)	(ang)	(dB)	(ang)
0.1	-0.32	175.23	-62.12	-18.03	-61.87	23.78	-0.38	175.18
0.2	-0.38	164.70	-52.48	-79.03	-66.95	-1.91	-0.73	173.05
0.3	-0.40	155.28	-43.73	-74.75	-70.02	42.24	-0.97	171.92
0.4	-0.37	145.17	-25.81	-68.05	-66.93	80.19	-1.11	171.22
0.5	-0.76	136.74	-20.16	-55.95	-68.15	56.92	-1.15	171.16
0.6	-0.64	125.22	-12.54	-97.25	-67.11	105.81	-1.05	167.66
0.7	-0.67	109.43	4.80	-127.32	-64.82	80.97	-1.43	166.90
0.8	-3.55	82.81	18.60	143.03	-65.84	42.57	-1.53	167.01
0.9	-3.85	95.70	12.33	55.55	-69.45	95.87	-1.40	166.13
1.0	-3.27	70.38	13.65	139.70	-68.39	89.04	-2.05	163.24
1.1	-8.79	21.48	33.82	86.70	-63.57	105.91	-1.92	167.70
1.2	-11.82	84.30	37.98	-5.72	-61.95	87.04	-1.00	168.26
1.3	-8.94	60.71	38.51	-64.14	-64.29	61.98	-0.33	161.94
1.4	-9.41	32.73	38.93	-107.65	-63.77	84.35	-0.26	154.31
1.5	-10.60	-0.94	39.61	-145.81	-62.03	93.31	-0.71	146.15
1.6	-12.04	-40.08	40.43	178.25	-58.65	95.29	-1.52	138.11
1.7	-13.05	-81.89	41.29	141.53	-56.87	83.21	-3.02	129.41
1.8	-14.18	-117.61	42.02	103.33	-54.84	70.36	-5.62	122.69
1.9	-17.84	-134.67	42.28	62.29	-52.33	49.84	-10.31	120.19
2.0	-17.75	-100.78	41.97	19.48	-53.33	34.80	-18.27	55.45
2.1	-11.42	-101.25	40.55	-24.36	-54.37	7.76	-9.24	-135.06
2.2	-8.12	-123.79	37.89	-65.92	-54.51	-6.74	-4.36	-142.68
2.3	-7.38	-144.23	34.11	-99.75	-56.16	-27.50	-2.25	-154.14
2.4	-7.20	-156.62	30.56	-123.03	-58.38	-32.80	-1.32	-162.80
2.5	-7.22	-167.62	27.45	-144.94	-63.09	-62.40	-0.84	-169.37
2.6	-7.65	-176.43	24.27	-165.44	-65.13	-26.75	-0.59	-174.38
2.7	-8.17	57.93	21.08	176.86	-65.97	-53.14	-0.44	-178.37
2.8	-8.65	174.17	17.97	160.96	-67.09	0.32	-0.35	178.33
2.9	-9.04	171.62	14.90	146.20	-67.33	-50.66	-0.29	175.37
3.0	-9.39	169.77	11.79	132.11	-69.50	18.57	-0.25	172.81
3.1	-9.65	168.70	8.51	118.43	-71.47	49.12	-0.22	170.34
3.2	-9.85	168.03	4.87	105.10	-68.50	92.90	-0.19	167.97
3.3	-9.95	167.89	0.52	92.43	-72.55	127.85	-0.19	165.70
3.4	-9.96	167.99	-5.47	82.57	-68.48	106.89	-0.18	163.46
3.5	-9.82	168.39	-15.63	98.57	-64.48	87.56	-0.16	161.16
3.6	-9.53	168.56	-14.55	56.95	-65.13	62.26	-0.18	158.83
3.7	-9.10	168.17	-10.79	55.00	-64.28	90.35	-0.20	156.58
3.8	-8.58	167.41	-12.92	57.55	-65.68	75.41	-0.22	154.35
3.9	-7.85	166.38	-10.15	-147.34	-63.83	62.25	-0.24	152.34
4.0	-6.88	162.75	-5.28	-161.63	-62.87	57.01	-0.22	150.18

S-Parameter^[5] (Vdd=VddBias=5.0V, Vc1=2.4V, Vc2=1.6V, Vc3=2.2V, T_A=25 °C, 50ohm) Continued.

Freq	S11	S11	S21	S21	S12	S12	S22	S22
(GHz)	(dB)	(ang)	(dB)	(ang)	(dB)	(ang)	(dB)	(ang)
4.1	-6.17	156.56	-5.11	-60.12	-62.23	60.24	-0.23	147.84
4.2	-5.67	151.09	-2.76	-162.33	-60.54	25.61	-0.33	145.49
4.3	-5.24	143.47	0.23	145.19	-65.83	28.57	-0.28	144.50
4.4	-4.77	137.32	-0.87	130.26	-64.65	69.93	-0.21	142.13
4.5	-4.80	127.75	-1.47	102.85	-63.28	49.76	-0.20	139.91
4.6	-5.16	121.60	-3.61	82.66	-62.73	46.52	-0.19	137.88
4.7	-5.44	117.07	-5.77	67.70	-64.31	34.41	-0.19	135.93
4.8	-5.66	113.10	-7.86	55.04	-64.04	62.51	-0.18	134.03
4.9	-5.86	109.67	-9.93	43.69	-62.93	37.49	-0.18	132.28
5.0	-5.95	107.76	-12.02	33.75	-63.71	28.36	-0.17	130.76
5.1	-5.94	106.98	-14.12	24.61	-63.79	41.23	-0.17	129.32
5.2	-6.09	104.73	-16.21	14.90	-65.15	33.13	-0.17	127.67
5.3	-6.23	102.84	-18.26	5.00	-62.10	57.07	-0.17	126.09
5.4	-6.36	101.15	-20.17	-5.69	-63.77	42.77	-0.17	124.54
5.5	-6.46	99.72	-21.69	-18.25	-64.95	38.89	-0.19	122.92
5.6	-6.57	98.51	-22.21	-34.49	-64.55	50.48	-0.22	121.19
5.7	-6.70	97.49	-20.55	-57.81	-64.27	37.53	-0.35	119.08
5.8	-6.80	96.65	-16.08	-101.69	-64.82	50.74	-0.89	118.03
5.9	-6.91	96.00	-15.67	67.84	-62.44	68.16	-0.84	122.29
6.0	-7.01	95.46	-19.42	150.39	-62.72	65.23	-0.34	121.26
7.0	-8.00	95.00	-24.18	86.85	-60.28	36.74	-0.16	108.75
8.0	-9.30	90.62	-25.18	42.64	-58.26	34.53	-0.20	94.77
9.0	-10.28	69.33	-27.57	-4.04	-55.74	5.41	-0.31	68.68
10.0	-8.83	49.01	-30.69	-41.90	-57.94	-18.02	-0.31	43.75
11.0	-7.53	45.60	-33.57	-70.43	-57.31	-23.67	-0.30	28.60
12.0	-7.93	46.29	-35.36	-97.18	-56.83	-30.16	-0.39	12.02
13.0	-9.80	34.95	-36.78	-130.00	-56.48	-32.58	-0.58	-14.26
14.0	-10.50	3.47	-38.47	-172.40	-53.41	-25.63	-0.52	-38.60
15.0	-9.38	-35.25	-40.91	133.94	-47.54	-32.80	-0.40	-54.35
16.0	-9.65	-103.06	-42.11	40.34	-43.56	-60.16	-0.48	-68.19
17.0	-7.84	137.29	-41.46	-79.68	-41.04	-101.45	-0.55	-76.71
18.0	-4.47	76.80	-43.83	-114.72	-43.14	-128.03	-0.35	-83.70
19.0	-3.86	44.16	-45.04	-155.19	-44.54	-150.40	-0.45	-94.59
20.0	-4.16	12.48	-46.01	-147.83	-43.53	-143.97	-0.82	-108.98

S-Parameter^[5] (Vdd=VddBias=5.5V, Vc1=2.4V, Vc2=1.6V, Vc3=2.2V, T_A=25 °C, 50ohm)

Freq	S11	S11	S21	S21	S12	S12	S22	S22
(GHz)	(dB)	(ang)	(dB)	(ang)	(dB)	(ang)	(dB)	(ang)
0.1	-0.31	175.25	-59.11	-31.72	-59.94	18.89	-0.39	175.22
0.2	-0.37	164.70	-53.56	-87.44	-67.07	32.62	-0.73	173.16
0.3	-0.39	155.23	-43.79	-73.62	-65.27	60.10	-0.95	171.99
0.4	-0.37	145.14	-25.46	-69.21	-67.79	124.24	-1.09	171.23
0.5	-0.76	136.65	-19.93	-57.08	-68.48	-12.27	-1.13	171.10
0.6	-0.65	125.11	-12.26	-98.38	-72.70	9.58	-1.04	167.70
0.7	-0.69	109.25	5.06	-128.49	-66.37	88.14	-1.40	166.88
0.8	-3.60	82.79	18.84	141.92	-66.68	64.82	-1.50	166.89
0.9	-3.89	95.32	12.66	55.07	-64.16	79.87	-1.39	165.97
1.0	-3.35	69.94	14.04	137.44	-66.20	100.05	-2.01	163.17
1.1	-8.93	21.64	33.98	84.80	-64.58	100.68	-1.90	167.28
1.2	-11.90	82.99	38.17	-7.11	-64.00	80.58	-1.00	167.82
1.3	-9.11	59.19	38.70	-65.56	-62.81	72.07	-0.35	161.54
1.4	-9.65	30.65	39.10	-109.06	-65.11	92.32	-0.30	153.96
1.5	-10.92	-4.32	39.77	-147.18	-65.32	107.70	-0.75	145.75
1.6	-12.28	-44.26	40.56	176.94	-59.67	93.96	-1.60	137.84
1.7	-13.15	-86.63	41.41	140.30	-57.76	82.21	-3.13	129.27
1.8	-14.23	-121.70	42.12	102.22	-55.24	61.87	-5.75	123.34
1.9	-18.06	-138.45	42.38	61.35	-52.72	53.87	-10.49	121.46
2.0	-18.04	-99.87	42.08	18.68	-52.83	27.70	-17.96	56.99
2.1	-11.36	-101.18	40.69	-25.14	-53.62	8.58	-9.22	-135.57
2.2	-8.04	-124.33	38.03	-66.86	-55.72	-10.14	-4.34	-142.82
2.3	-7.31	-144.79	34.23	-100.75	-57.41	-28.84	-2.25	-154.23
2.4	-7.12	-157.17	30.68	-124.03	-58.92	-29.15	-1.31	-162.87
2.5	-7.17	-168.10	27.54	-145.93	-63.78	-40.26	-0.84	-169.43
2.6	-7.61	-176.64	24.35	-166.36	-64.13	-45.96	-0.59	-174.45
2.7	-8.10	57.79	21.15	176.01	-64.71	-37.21	-0.45	-178.43
2.8	-8.57	174.17	18.04	160.22	-65.84	-33.50	-0.35	178.30
2.9	-8.94	171.56	14.97	145.52	-69.88	-97.04	-0.30	175.35
3.0	-9.27	169.77	11.86	131.50	-68.57	-14.49	-0.25	172.78
3.1	-9.50	168.60	8.57	117.89	-70.78	-92.21	-0.22	170.31
3.2	-9.69	167.81	4.93	104.62	-71.32	55.07	-0.19	167.93
3.3	-9.79	167.54	0.58	92.00	-74.88	88.94	-0.19	165.68
3.4	-9.79	167.46	-5.42	82.24	-66.48	58.89	-0.18	163.45
3.5	-9.65	167.67	-15.56	98.87	-71.76	93.16	-0.17	161.13
3.6	-9.37	167.67	-14.36	56.54	-66.00	89.46	-0.18	158.82
3.7	-8.97	167.03	-10.67	54.34	-63.83	67.57	-0.20	156.56
3.8	-8.48	166.20	-12.79	57.30	-64.68	68.16	-0.23	154.34
3.9	-7.78	165.22	-9.94	-148.35	-65.17	70.12	-0.24	152.31
4.0	-6.84	161.65	-5.21	-162.88	-64.34	69.66	-0.23	150.17

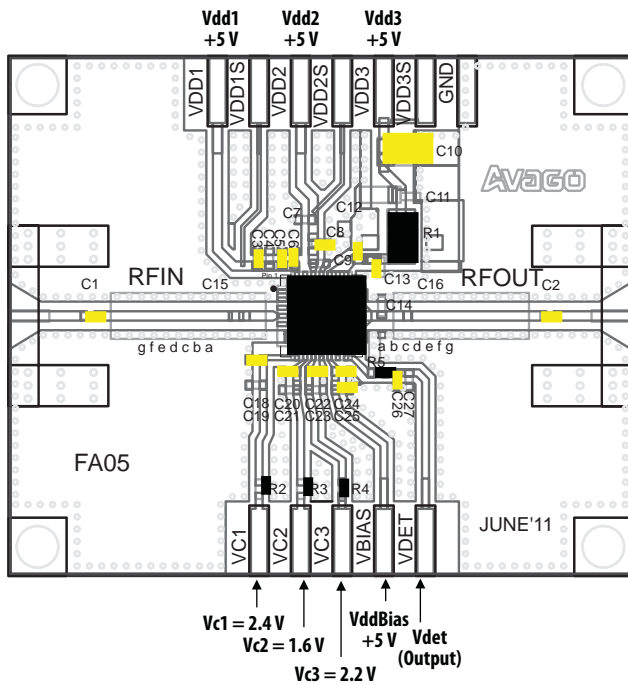
S-Parameter^[5] (Vdd=VddBias=5.5V, Vc1=2.4V, Vc2=1.6V, Vc3=2.2V, T_A=25 °C, 50ohm) Continued.

Freq	S11	S11	S21	S21	S12	S12	S22	S22
(GHz)	(dB)	(ang)	(dB)	(ang)	(dB)	(ang)	(dB)	(ang)
4.1	-6.16	155.60	-5.11	-60.94	-62.35	62.87	-0.23	147.81
4.2	-5.67	150.30	-2.63	-163.27	-61.37	18.23	-0.33	145.45
4.3	-5.25	142.91	0.19	144.63	-69.72	29.64	-0.28	144.46
4.4	-4.77	136.86	-0.83	129.87	-62.20	50.42	-0.21	142.08
4.5	-4.79	127.39	-1.45	102.40	-62.78	37.18	-0.20	139.88
4.6	-5.15	121.37	-3.59	82.30	-62.05	37.76	-0.20	137.85
4.7	-5.42	116.88	-5.75	67.39	-64.22	35.08	-0.19	135.90
4.8	-5.63	112.97	-7.83	54.81	-64.42	40.65	-0.18	133.99
4.9	-5.83	109.63	-9.90	43.53	-64.04	31.57	-0.18	132.25
5.0	-5.90	107.72	-11.99	33.60	-62.60	45.74	-0.17	130.71
5.1	-5.89	106.96	-14.09	24.52	-65.73	55.61	-0.17	129.27
5.2	-6.03	104.72	-16.17	14.78	-64.48	50.98	-0.17	127.64
5.3	-6.16	102.82	-18.21	4.91	-64.36	48.07	-0.17	126.06
5.4	-6.29	101.15	-20.12	-5.76	-65.09	46.72	-0.17	124.49
5.5	-6.39	99.72	-21.62	-18.41	-64.64	53.90	-0.19	122.87
5.6	-6.50	98.51	-22.14	-34.80	-63.47	44.02	-0.22	121.15
5.7	-6.61	97.43	-20.46	-58.12	-63.65	41.19	-0.35	119.04
5.8	-6.71	96.60	-16.04	-102.57	-63.02	60.60	-0.90	118.10
5.9	-6.82	95.91	-15.72	67.43	-63.18	61.73	-0.83	122.26
6.0	-6.92	95.37	-19.42	150.46	-62.87	52.91	-0.34	121.21
7.0	-7.90	94.46	-24.14	87.10	-61.33	47.84	-0.16	108.71
8.0	-9.25	89.54	-25.12	43.09	-58.74	31.66	-0.21	94.70
9.0	-10.26	67.70	-27.49	-3.53	-55.72	7.83	-0.32	68.56
10.0	-8.85	47.50	-30.58	-41.62	-57.84	-17.31	-0.32	43.61
11.0	-7.63	44.42	-33.45	-70.31	-57.89	-18.95	-0.31	28.45
12.0	-8.14	45.54	-35.33	-97.91	-57.37	-30.63	-0.41	11.84
13.0	-10.12	34.80	-36.75	-130.64	-56.43	-29.40	-0.60	-14.47
14.0	-10.87	3.26	-38.30	-173.09	-53.64	-28.22	-0.53	-38.81
15.0	-9.69	-35.76	-40.80	135.47	-47.66	-35.55	-0.41	-54.56
16.0	-9.89	-104.65	-42.00	40.06	-43.56	-60.53	-0.49	-68.38
17.0	-7.74	135.77	-41.55	-79.65	-40.88	-101.72	-0.56	-76.90
18.0	-4.39	76.12	-44.09	-111.55	-42.76	-128.56	-0.36	-83.92
19.0	-3.82	43.51	-45.42	-154.29	-44.91	-148.31	-0.46	-94.77
20.0	-4.15	11.74	-45.64	-147.49	-43.61	-145.55	-0.83	-109.16

Notes:

5. S-parameter is measured with deembedded reference plane at DUT RFin and RFout pins.

Demonstration Board Top View (Vdd=VddBias=5.0V, Vdd=VddBias=5.5V operating voltage)



Component	Value	Part Number
C1, C2	8.2 pF +/- 0.5 pF	GJM1555C1H8R2WB01D
C3, C8, C13, C25	0.1 μF +/- 10%	GRM155R71C104KA88D
C5, C9	82 pF +/- 5%	GRM1555C1H820JA01D
C6, C18, C20, C22	8.2 pF +/- 0.5 pF	GJM1555C1H8R2WB01D
C24	4.3 pF +/- 0.25 pF	GJM1555C1H3R6CB01D
C10	2.2 μF +/- 10%	GRM21BR71E225KA73L
C26	22 nF +/- 10%	CM05X7R223K16AHF
R1	0 Ω	RMC1/10 JPTP
R2, R3, R4, R5	0 Ω	RMC1/16S JPTH

Note:

For performance optimization control voltage for individual stages can be adjusted by varying R2, R3 and R4 resistor value.

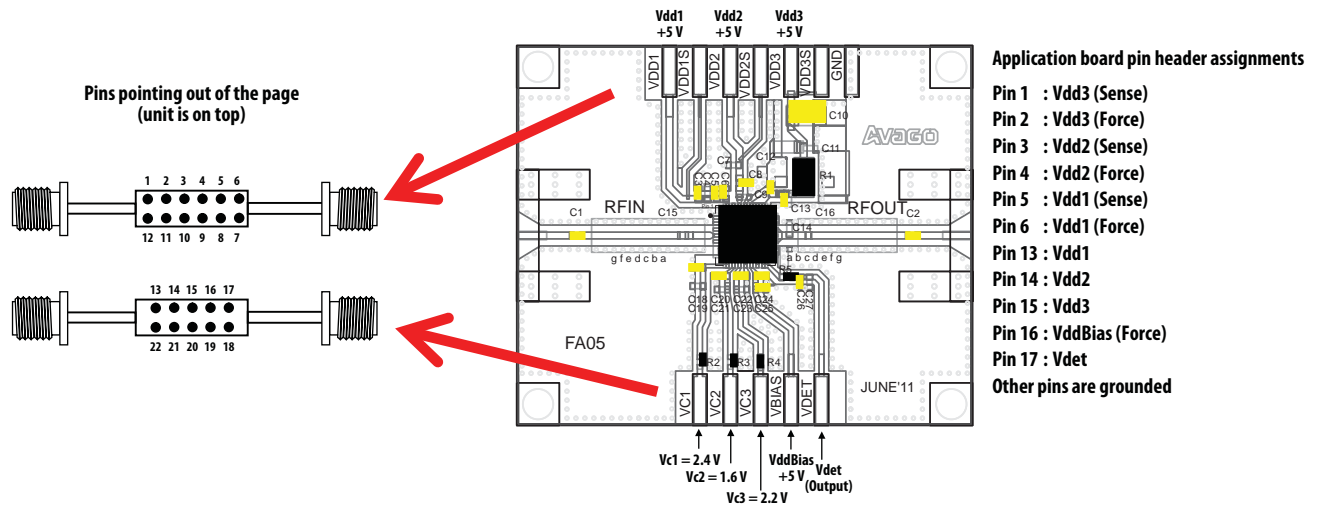


Figure 30. Demonstration board application circuit for MGA-43628 module

Application Schematic

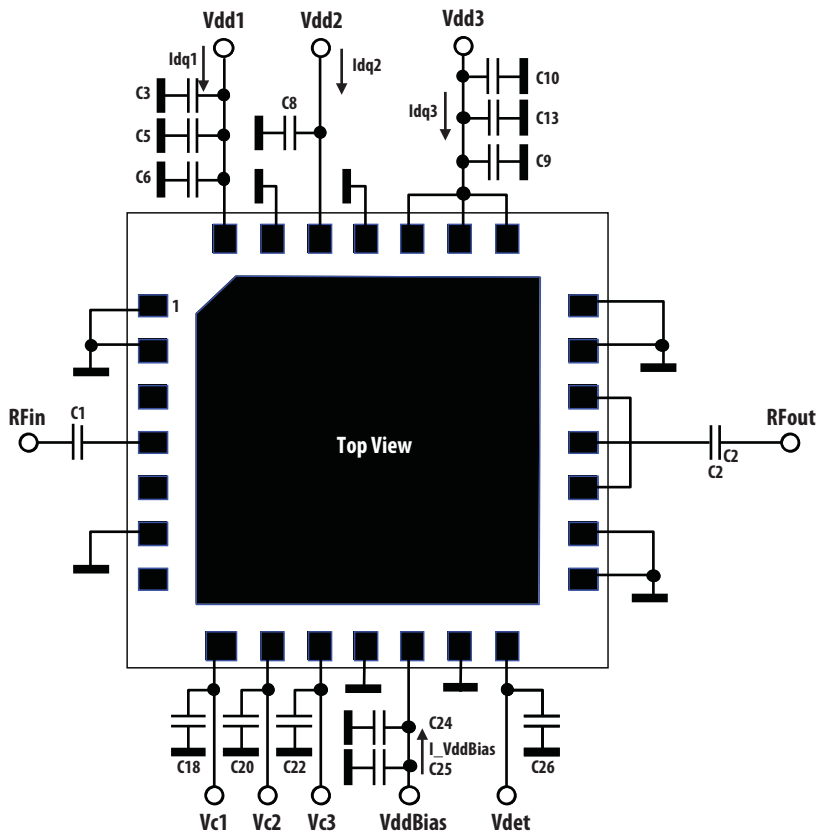


Figure 31. Application schematic in demonstration board

Notes

1. All capacitors on supply lines are bypass capacitors
2. C1 / C2 are RF coupling capacitors.
3. Idq1= 60.0mA, Idq2 = 110mA, Idq3 = 270.0mA, I_VddBias = 14.0mA. Idq1/2/3 are adjusted by voltages to CMOS-compatible control pins Vc1/2/3 respectively. These typical bias currents were obtained with Vc1/2/3 voltages in Figure 30 above. Adjustment of these currents enable optimum bias conditions to be achieved for best linearity and efficiency for a given modulation type.

MGA-43528 typical I_{c1} , I_{c2} , I_{c3} Vs V_c performance unless otherwise stated

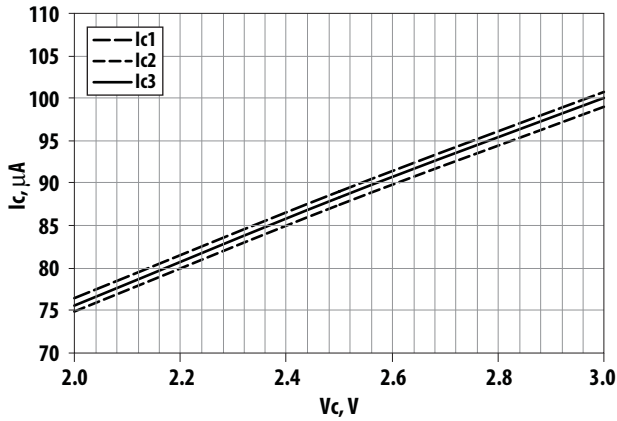


Figure 32. I_c Versus V_c at $V_{dd}=V_{ddBias}=5.0V$

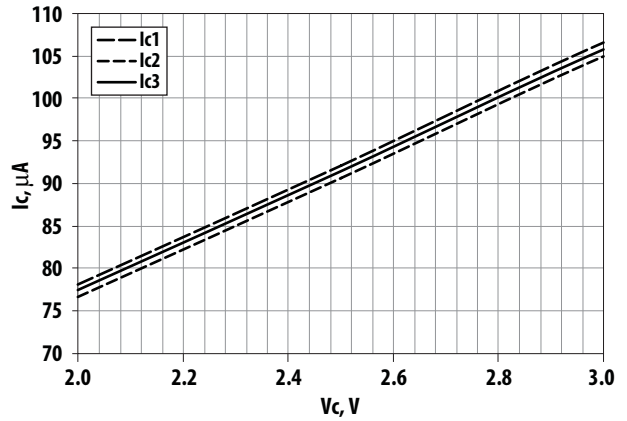
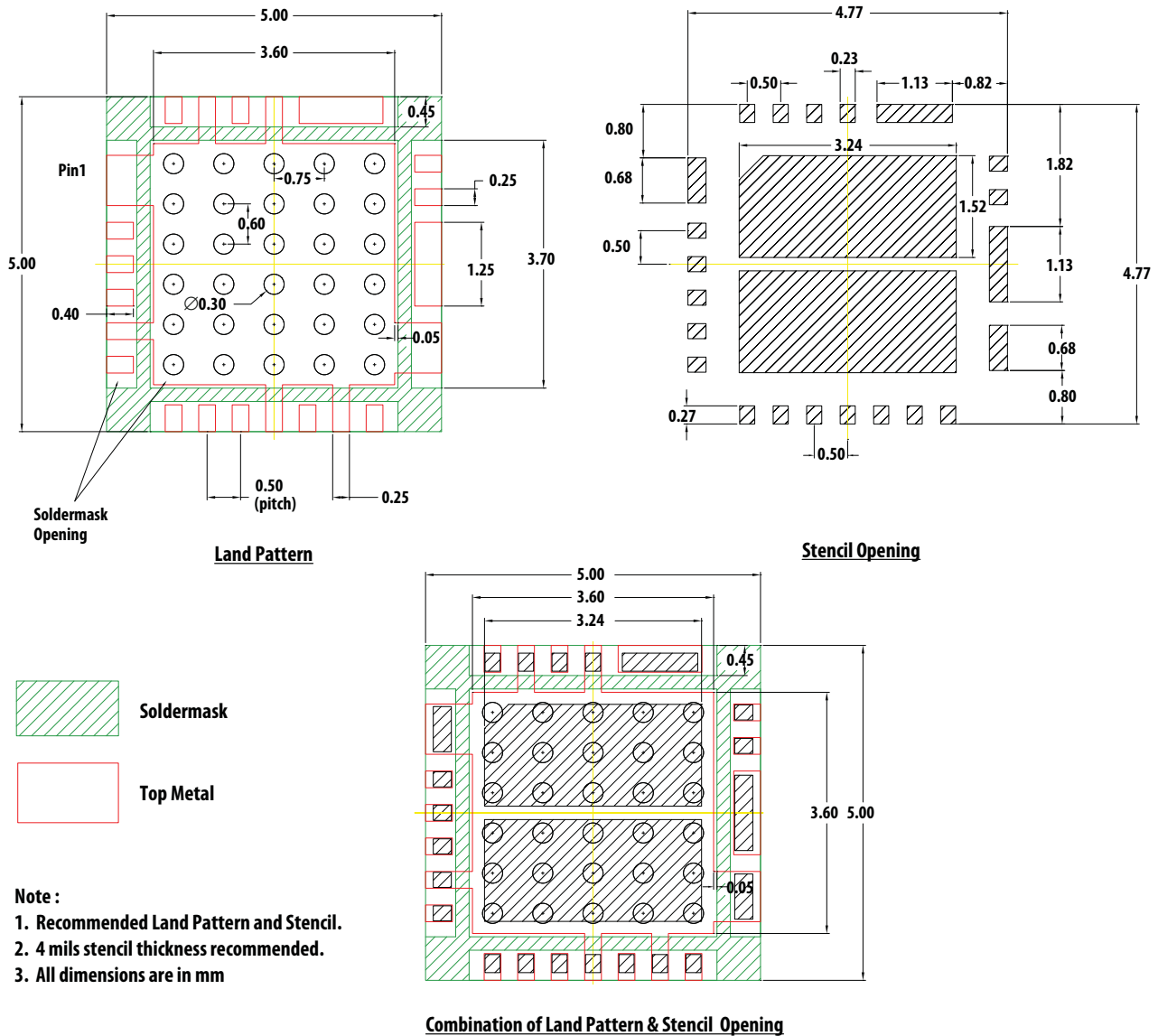
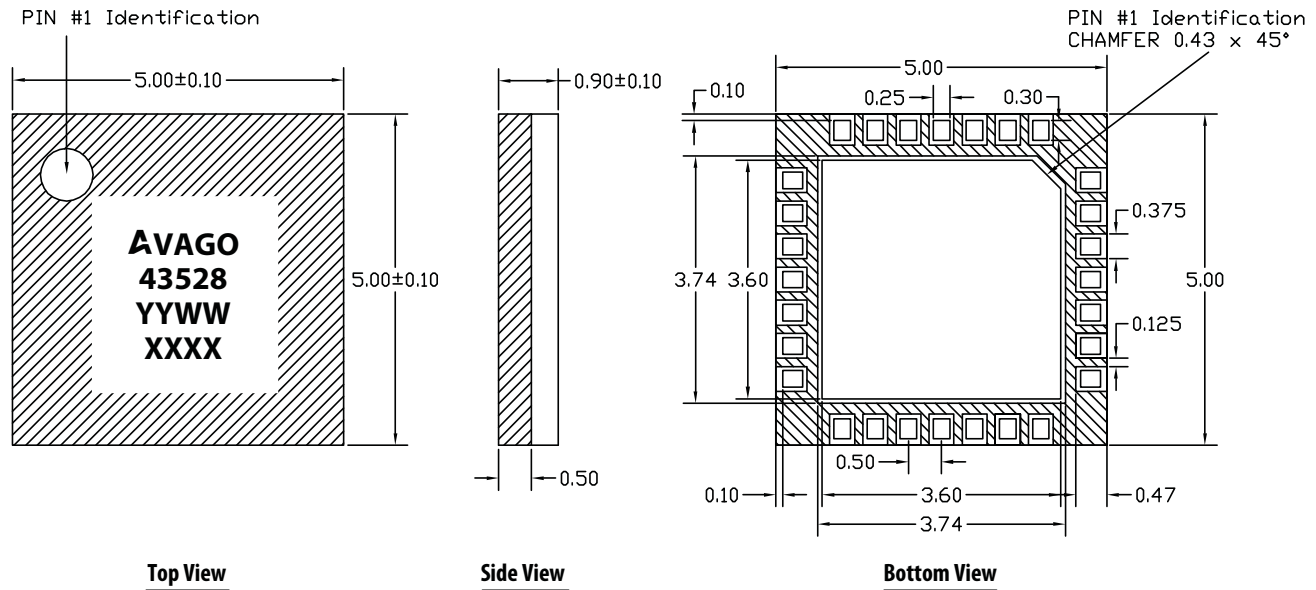


Figure 33. I_c Versus V_c at $V_{dd}=V_{ddBias}=5.5V$

PCB Land Pattern and Stencil Outline



MCOB (5.0 x 5.0 x 0.9) mm 28-Lead Package Dimensions



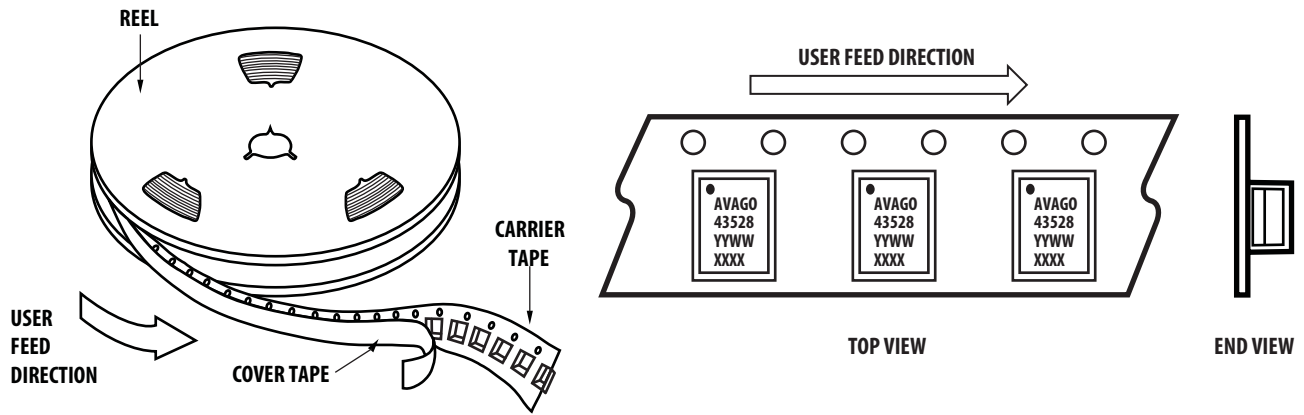
Note

1. All dimensions are in millimeters.
2. Dimensions are inclusive of plating.
3. Dimensions are exclusive of mold flash and metal burr.

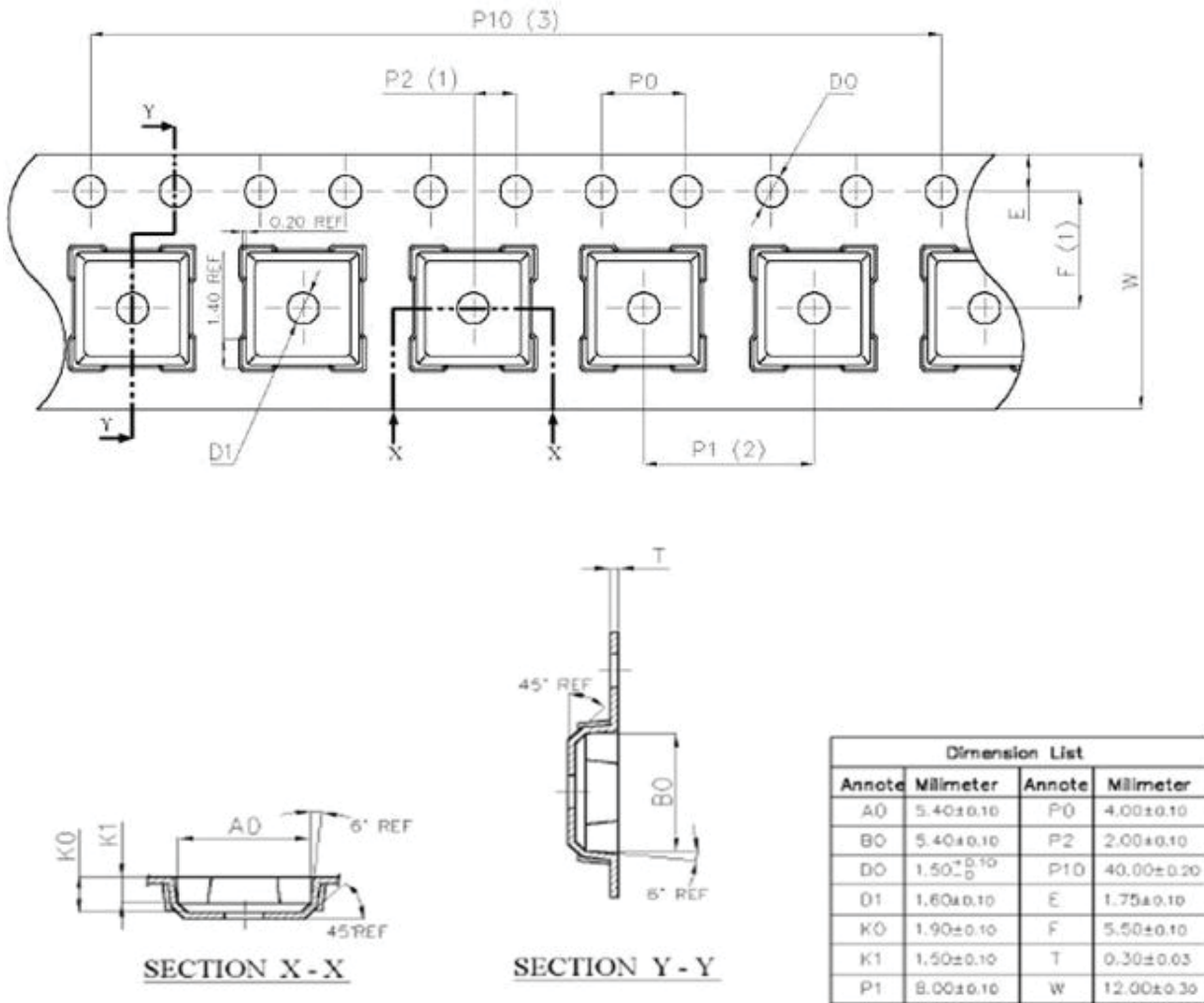
Part Number Ordering Information

Part Number	Qty	Container
MGA-43528-BLKG	100	Antistatic Bag
MGA-43528-TR1G	1000	7" Reel

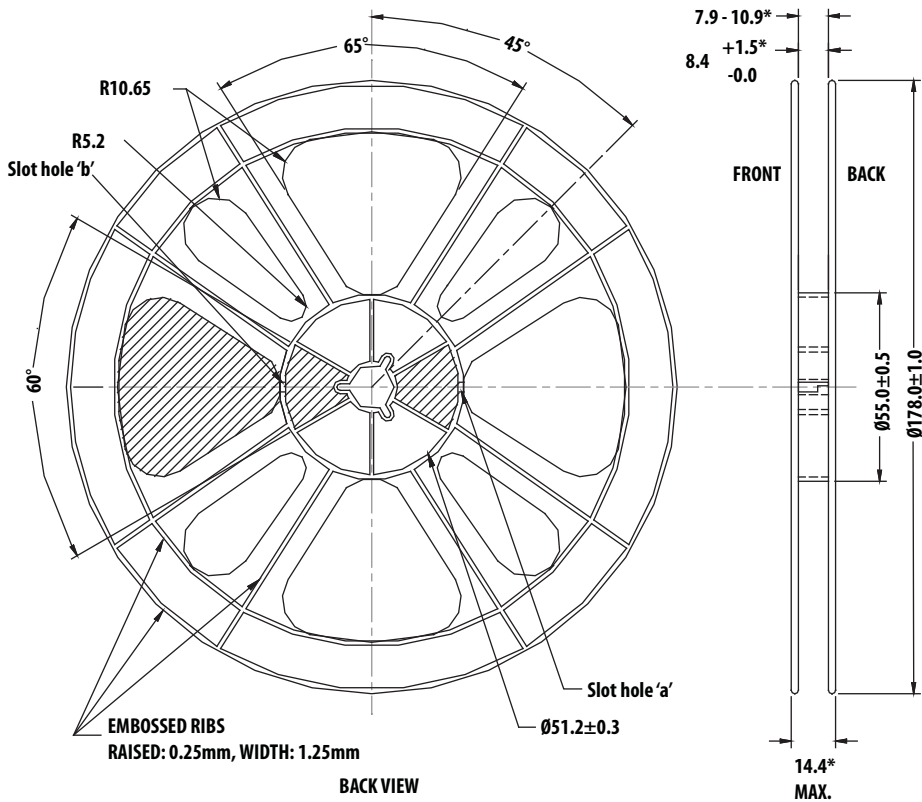
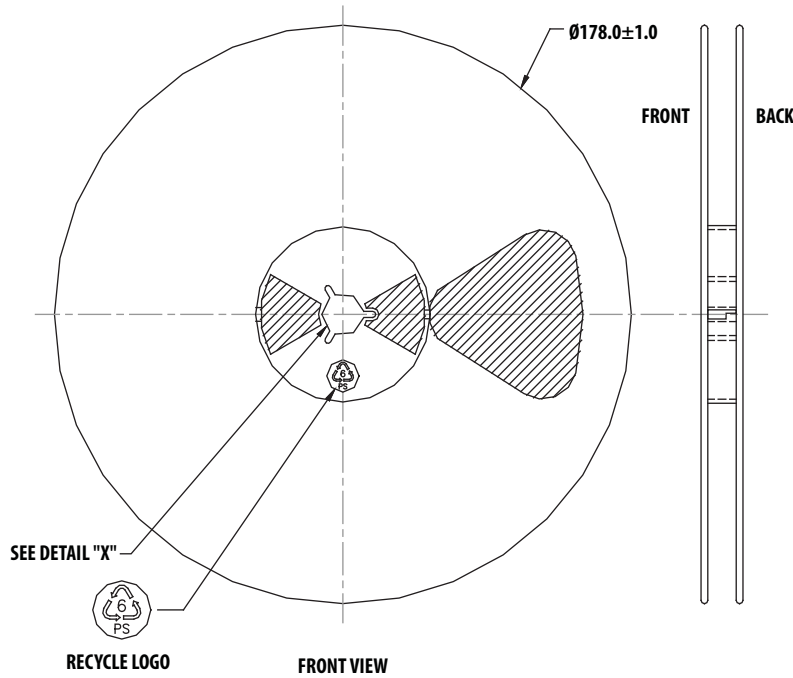
Device Orientation



Tape Dimensions



Reel Dimensions (7" reel)



For product information and a complete list of distributors, please go to our web site: www.avagotech.com

Avago, Avago Technologies, and the A logo are trademarks of Avago Technologies in the United States and other countries. Data subject to change. Copyright © 2005-2012 Avago Technologies. All rights reserved. AV02-3790EN - October 31, 2012

