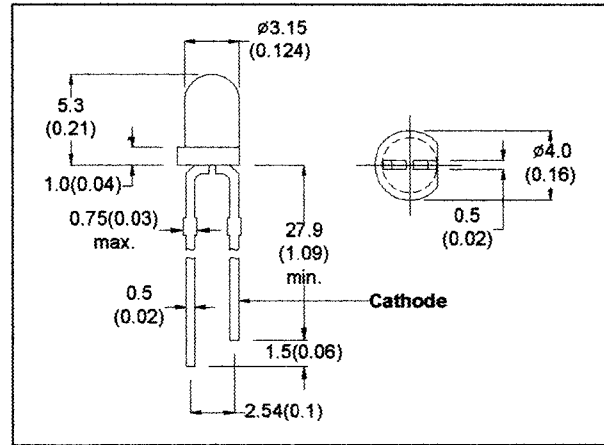


DESCRIPTION

MGB31 Series are green LED lamp with 3mm diameter epoxy package.

- MGB31C is green chip with green transparent lens.
- MGB31D is green chip with green diffused lens.
- MGB31TA is green chip with clear transparent lens.
- MGB31W is green chip with clear diffused lens.



- All Dimension in mm (inch)
- No Scale
- Tol : +/- 0.3mm

ABSOLUTE MAXIMUM RATINGS

Power Dissipation @Ta=25°C	90mW
Forward Current, DC (IF)	30mA
Reverse Voltage	5V
Operating & Storage Temperature Range	-55 to +100°C
Lead Soldering Temperature (1/16" from body)	260°C for 5 sec.

ELECTRO-OPTICAL CHARACTERISTICS (Ta=25°C)

PARAMETER	SYMBOL	MGB31C	MGB31D	MGB31TA	MGB31W	UNIT	CONDITIONS
Forward Voltage	MAX VF	3.0	3.0	3.0	3.0	V	IF=20mA
Reverse Breakdown Voltage	MIN BVR	5	5	5	5	V	IR=100 μ A
Luminous Intensity	MIN IV	150	30	150	30	mcd	IF=20mA
	TYP	250	50	250	50	mcd	
Peak Wavelength	TYP λ_p	570	570	570	570	nm	IF=20mA
Spectral Line Half Width	TYP $\Delta\lambda$	30	30	30	30	nm	IF=20mA
Viewing Angle	TYP 2θ 1/2	40	60	40	60	degree	IF=20mA

MICRO ELECTRONICS LTD.

38, Hung To Road, Microtron Building, Kwun Tong, Kowloon, Hong Kong.

Kwun Tong P.O. Box 69477 Hong Kong. Fax No. 2341 0321 Telex:43510 Micro Hx. Tel: 2343 0181-5

Aug-99