

MICRO ELECTRONICS

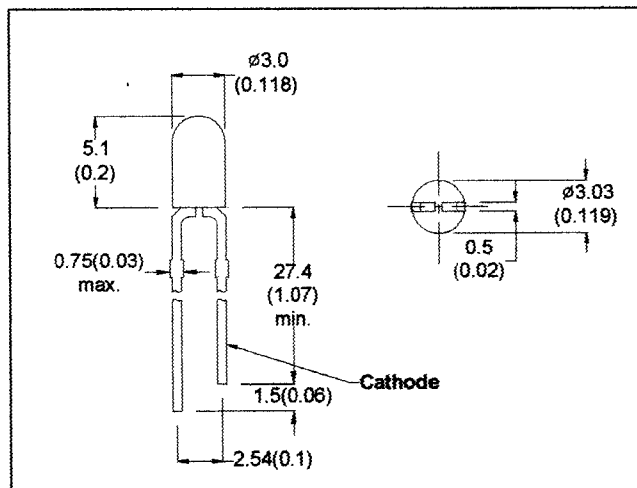
MOB33D
 MRB33D
 MSB33D
 MYB33D

φ 3mm FLANGELESS
 LED LAMPS

DESCRIPTION

This series of solid state indicators are 3mm diameter flangeless lamps

- MGB33D is green LED with a green diffused lens.
- MOB33D is orange LED with an orange diffused lens.
- MOB33DR is orange LED with a red diffused lens.
- MRB33D is red LED with a red diffused lens.
- MSB33D is red LED with a red diffused lens.
- MYB33D is yellow LED with a yellow diffused lens.



- All Dimension in mm (inch)
- No Scale
- Tol : +/- 0.3mm

ABSOLUTE MAXIMUM RATINGS

Power Dissipation @ Ta=25°C
 Forward Current, DC (IF)
 Reverse Voltage
 Operating & Storage Temperature Range
 Lead Soldering Temperature (1/16" from body)

	MGB33D	MOB33D	MOB33DR	MRB33D	MSB33D	MYB33D
Power Dissipation	90mW	80mW	45mW	60mW	45mW	60mW
Forward Current, DC (IF)	30mA	40mA	15mA	20mA	15mA	20mA
Reverse Voltage	5v	5V	5V	5V	5V	5V
Operating & Storage Temperature Range				-55 to +100°C		
Lead Soldering Temperature (1/16" from body)				260°C for 5 sec.		

ELECTRO-OPTICAL CHARACTERISTICS (Ta=25°C)

PARAMETER	SYMBOL	MGB33D	MOB33D	MOB33DR	MRB33D	MSB33D	MYB33D	UNIT	CONDITIONS
Forward Voltage	MAX VF	3.0	3.0	3.0	2.0	3.0	3.0	V	IF=20mA
Reverse Breakdown Voltage	MIN BVR	5	5	5	5	5	5	V	IR=100 μA
Luminous Intensity	MIN IV	20	15	15	1	1.2*	12	med	IF=20mA
	TYP	35	25	25	1.5	1.8*	20	med	
Peak Wavelength	TYP λp	570	630	640	660	700	585	nm	IF=20mA
Spectral Line Half Width	TYP Δλ	30	40	40	20	100	35	nm	IF=20mA
Viewing Angle	TYP 2θ 1/2	70	70	70	70	70	70	degree	IF=20mA

* IF = 10mA