



12:1 Ultra Wide Input Dual Outputs Metallic Case - 2 250 VDC Isolation



- Ultra wide input range
- Nominal power up to 6 W
- Nominal dual output voltage from 5V to 48V
- High efficiency over the entire range
- Soft start
- Galvanic isolation 2 250 VDC
- Integrated LC input filter
- Permanent short circuit protection
- External trim adjustment : -20/+10%
- No optocoupler for high reliability
- RoHS process

1-General

The MGDDI-06 ultra wide input series designates a full family of DC/DC power modules designed for use in distributed power architecture where variable input voltage for multiple battery and transient are prevalent making them ideal particularly for transportation/mass transit, railways or high-end industrial applications. These modules use a fixed frequency switching topology providing excellent reliability, low noise characteristics and very high efficiency over the entire input voltage range. Standard models are available with a permanent ultra wide input voltage range of 12-160 volts fully compatible with 24V/36V/72V/110V/125V battery applications. The serie includes dual output voltage choices individually isolated of 2 x 5 volts , 2 x 12 volts, 2 x 15 volts and 2 x 24 volts with easy configurability.

The MGDDI-06 serie is designed in compliance with safety standards EN60950. All the modules are designed with LC network filters to minimize reflected input current ripple according to ease EN55022 standard. The modules include a soft-start, an input undervoltage lock-out, a permanent short circuit protection and an output overvoltage limitation to ensure efficient module protections. The soft-start allows current limitation and eliminates inrush current during start-up. The short circuit protection completely protects the modules against short-circuits of any duration by a shut-down and restores to normal operation when the overload is removed.

5

2-Product Selection

Dual output model : MGDDI - 06 - -

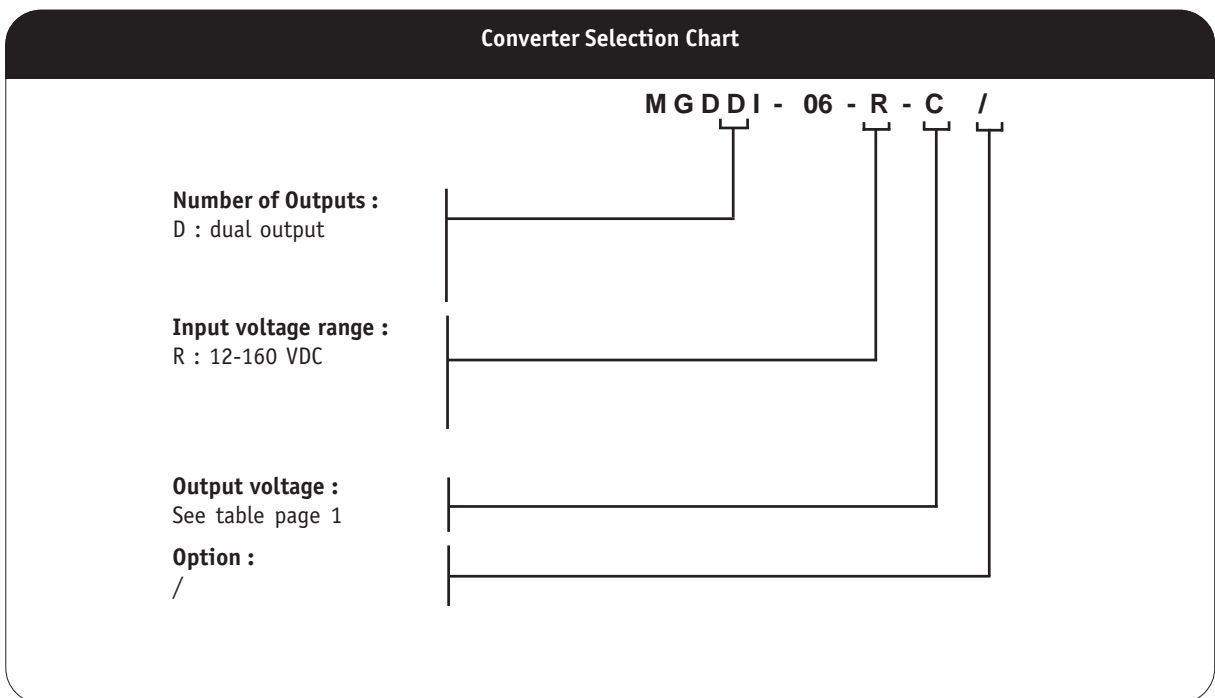
Input Voltage Range	Output
<p>Permanent</p> <p>R : 12-160 VDC</p>	<p>C : 2 x 5 VDC</p> <p>E : 2 x 12 VDC</p> <p>F : 2 x 15 VDC</p> <p>I : 2 x 24 VDC</p>

2- Product Selection (continued)

Input range	Output	Current per Output	Reference	Options
12-160 VDC	2 x 5 VDC	0,60 A	MGDDI-06-R-C	/
12-160 VDC	2 x 12 VDC	0,25 A	MGDDI-06-R-E	/
12-160 VDC	2 x 15 VDC	0,20 A	MGDDI-06-R-F	/
12-160 VDC	2 x 24 VDC	0,125 A	MGDDI-06-R-I	/

Using various parallel or series connections of outputs, and the 80/110% trim capability, allows to cover almost the complete range of output voltages from 4V to 52V as shown in the table below.

Reference	Parallel Connection	Series Connection
MGDDI-06-R-C	4 - 5,5 VDC	8 - 11 VDC
MGDDI-06-R-E	9,6 - 13,2 VDC	19,2 - 26,4 VDC
MGDDI-06-R-F	12 - 16,5 VDC	24 - 33 VDC
MGDDI-06-R-I	19,2 - 26,4 VDC	38,4 - 52,8 VDC



3- Electrical Specifications

Data are valid at +25°C, unless otherwise specified.

Parameter	Conditions	Limit or typical	Units	Dual Output MGDDI-06 - R
Input				
Nominal input voltage	Full temperature range	Nominal	VDC	48
Permanent input voltage range (Ui)	Full temperature range Full load	Min. - Max.	VDC	12-160
Undervoltage lock-out (UVLO)	Turn-on voltage (pin Uvlo open)	Maximum	VDC	11,8
	Turn-off voltage (pin Uvlo open)	Maximum	VDC	10,8
Start up time	Ui nominal within 3 ms	Maximum	ms	30
	Nominal output Full load : resistive			
Reflected ripple current	Ui nominal, full load at switching freq. BW = 20MHz with 47µF on Vi 4,7µF on Vif	Maximum	% Inom.	10
No load input power	Ui nominal No load	Maximum	W	0,5
Standby input power	Ui nominal	Maximum	W	0,15
Output				
Output voltage	Full temperature range	Nominal	VDC	2 x 5
	Ui min. to max.	Nominal	VDC	2 x 12
	75% load	Nominal	VDC	2 x 15
		Nominal	VDC	2 x 24
Set Point accuracy	Ambient temperature : +25°C Ui nominal, 75% load	Maximum	%	+/- 2
Total output power with both outputs	Full temperature range Ui min. to max.	Maximum	W	6
Output current per output				
5V output	Full temperature range	Nominal	A	0,60
12V output	Full load	Nominal	A	0,25
15V output	Ui min. to max.	Nominal	A	0,20
24V output		Nominal	A	0,125
Unbalanced output	Minimum load on V01 for V02 proper operation	Typical	W	2
Ripple output voltage **				
5V output	Ui nominal	Maximum	mVpp	100
12V output	Full load	Maximum	mVpp	240
15V output	BW = 20MHz	Maximum	mVpp	300
24V output		Maximum	mVpp	520
Output regulation * (Line + load + thermal)	Ui min. to max. 0% to full load	Maximum	%	+/- 1,5
Cross load output regulation	Ui nom V01 at nominal load V02 25%	Maximum	%	+10/-2
Output voltage trim	As a function of output voltage	Minimum	%	80
		Maximum	%	110
Maximum admissible capacitive load				
5V output	Ui nominal	Maximum	µF	680
12V output	Full load			
15V output	Per output	Maximum	µF	330
24V output		Maximum	µF	220
		Maximum	µF	110
Efficiency	Ui nominal Full load	Typical	%	up to 83

Note * : Regulation is measured with both outputs in parallel configuration.

Note ** : The ripple output voltage is the periodic AC component imposed on the output voltage, an aperiodic and random component (noise) has also to be considered. This noise can be reduced by adding 1 external decoupling capacitor connected between Gin and Gout. These capacitance should be layed-out as close as possible from the converter. The ripple output voltage is measured by connecting a ceramic chip capacitor Co across Vo and Go pins (C=100µF if Vo<5Vdc C=10µF if Vo>5Vdc)

4- Switching Frequency

Parameter	Conditions	Limit or typical	Specifications
Switching frequency	Full temperature range Ui min. to max. No load to full load	Nominal, fixed	270 KHz

5- Isolation

Parameter	Conditions	Limit or typical	Specifications
Electric strength voltage * (Case not connected)	Input to output	Functional	2 250 VDC
	Between outputs	Functional	300 VDC
Isolation resistance	Input to case 500 VDC	Minimum	100 MOhm
	Output to case 500 VDC	Minimum	100 MOhm

*DC-DC converters are defined as component power supplies. As components they cannot comply with the provisions of any safety requirements without global conditions of acceptability (mechanical, conductors,). GAIA Converter DC/DC converter provides functional input-output insulation and functional insulation between outputs. The customer will be responsible to sustain all relevant end-user safety standards and regulations (IEC/EN/UL 60950-1).

6- Protection Functions

Characteristics	Protection Device	Recovery	Limit or typical	Specifications
Input undervoltage lock-out (UVLO)	Turn-on, turn-off circuit with hysteresis cycle	Automatic recovery	Turn-on nominal Turn-off nominal	See section 3
Output current limitation protection (OCP)	Hiccup circuitry with auto-recovery	Automatic recovery	Typical	130%

7- Reliability Data

Characteristics	Conditions	Temperature	Specifications
Mean Time Between Failure (MTBF) According to MIL-HDBK-217F	Ground fixed (Gf)	Case at 40°C Case at 70°C	1 100 000 Hrs 500 000 Hrs
	Ground mobile (Gm)	Case at 40°C Case at 70°C	Consult factory
Mean Time Between Failure (MTBF) According to IEC-62380-TR	Railway, Payphone	Ambient at 25°C 100% time on	Consult factory

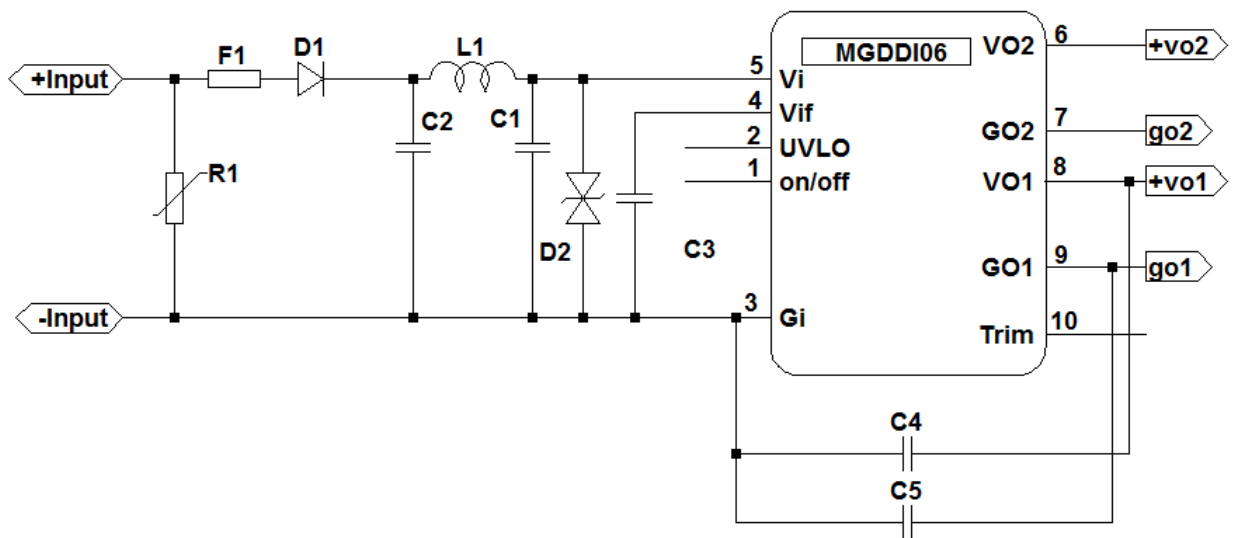
8- Electromagnetic Interference

Electromagnetic interference requirements according to EN55022 class A and class B can be easily achieved as indicated in the following table and following schematics :

Electromagnetic Interference according to EN55022		
Conducted noise emission	Configuration	With a common mode capacitor $C_c = 10nF$ and external filter
	Models	Class B
Radiated noise emission	Configuration	With a common mode capacitor $C_c = 10 nF$ and external filter
	Models	Class B

8-1 Module Compliance with EN55022 class B Standard

Electromagnetic interference requirements according to EN55022 class B or EN50121 can be easily achieved using the following schematics :



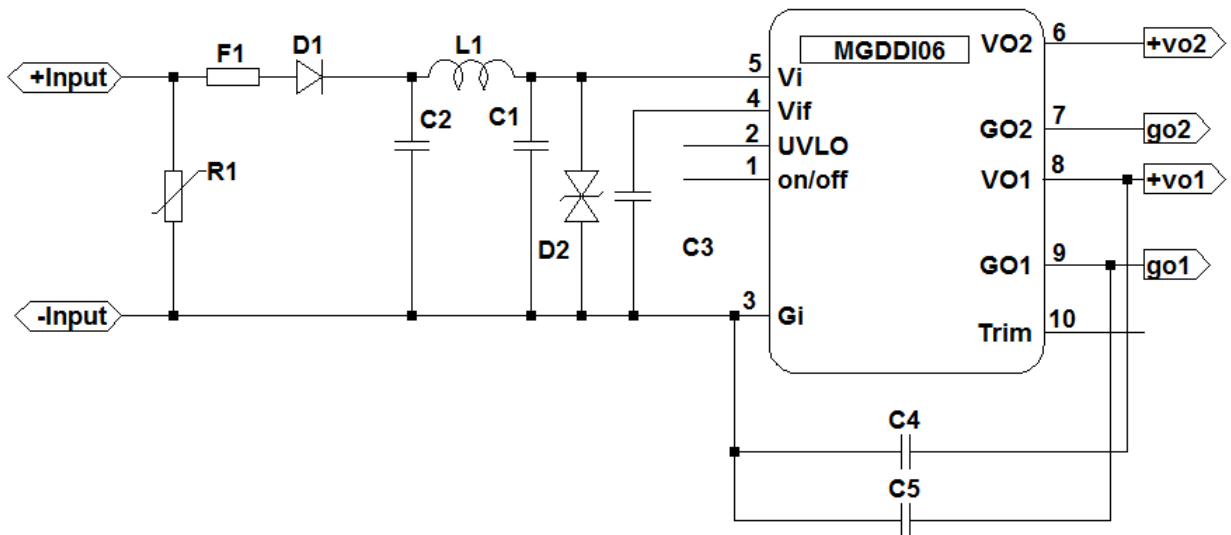
Please consult EN50155 Transient/EMI Filter design note for further details on components.

9- Surge Susceptibility EN61000-4-5 & EN50155

Surge susceptibility requirements according to EN50155, EN61000-4-5 and electromagnetic interference requirements of EN55022 class A can easily be achieved using :

- an input limiter filter : see following schematics of discret components, to sustain the following surge levels :

Characteristics	Standards	Levels
Spikes Line to line	EN 61000-4-5	Level 4 with 4 000 V waveform 50 μ s, impedance 2 Ohm
	EN 50155	Level 1 800 V waveform 50 μ s, impedance 100 and 5 Ohm Level 8 400 V waveform 0.1 μ s, impedance 100 Ohm
Spikes Line to earth	EN 61000-4-5	Level 4 with 4 000 V waveform 50 μ s, impedance 12 Ohm
	EN 50155	Level 1 800 V waveform 50 μ s, impedance 100 and 5 Ohm Level 8 400 V waveform 0.1 μ s, impedance 100 Ohm



5

Please consult EN50155 Transient/EMI Filter design note for further details on components.

10- Thermal Characteristics

Characteristics	Conditions	Limit or typical	Performances
Operating ambient temperature range	Ambient temperature	Minimum Maximum	- 40°C see below
Operating case temperature range at full load	Case temperature	Minimum Maximum	- 40°C 100°C
Storage temperature range	Non functioning	Minimum Maximum	- 40°C + 115°C

The following discussion will help designer to determine the thermal characteristics and the operating temperature.

Heat can be removed from the baseplate via three basic mechanisms :

- Radiation transfert : radiation is counting for less than 5% of total heat transfert in majority of case, for this reason the presence of radiant cooling is used as a safety margin and is not considered.
- Conduction transfert : in most of the applications, heat will be conducted from the baseplate into an attached heatsink or heat conducting member; heat is conducted thru the interface.
- Convection transfert : convecting heat transfer into air refers to still air or forced air cooling.

In majority of the applications, we will consider that heat will be removed from the baseplate either with :

- heatsink,
- forced air cooling,
- both heatsink and forced air cooling.

To calculate the maximum admissible ambient temperature the following method can be used.

Knowing the power used P_{out} and the efficiency η :

- determine the power dissipated by the module P_{diss} that should be evacuated :

$$P_{diss} = P_{out} / (\eta - 1) \quad (A)$$

- then determine the thermal dissipation :

$$T_{diss} = R_{th}(b-a) \times P_{diss} \quad (B)$$

where **$R_{th}(b-a)$** is the thermal resistance from the baseplate to ambient.

This thermal $R_{th}(b-a)$ resistance is the summ of :

- **the thermal resistance of baseplate to heatsink ($R_{th}(b-h)$)**. The interface between baseplate and heatsink can be nothing or a conducting member, a thermal compound, a thermal pad.... The value of $R_{th}(b-h)$ can range from 0.4°C/W for no interface down to 0.1°C/W for a thermal conductive member interface.
- **the thermal resistance of heatsink to ambient air ($R_{th}(h-a)$)**, which is depending of air flow and given by heatsink supplier.

The table hereafter gives some example of thermal resistance for different heat transfert configurations.

Heat transfert	Thermal resistance heatsink to air $R_{th}(h-a)$	Conditions	Global resistance
Free air cooling only	$R_{th}(c)$: no Heatsink baseplate only	Ambient 60°C, converter on PCB	20°C/W
	$R_{th}(tot)$ with heatsink ABL BGA-STD-050	Ambient 60°C, converter on PCB	14°C/W

11- Environmental Qualifications

The modules have been subjected to the following environmental qualifications.

Characteristics	Conditions	Severity	Test procedure
Climatic Qualifications			
Life at high temperature	Duration Temperature Status of unit	1 000 Hrs 95°C case unit operating	IEC 68-2-2
Humidity steady	Damp heat Temperature Duration Status of unit	93 % relative humidity 40°C 56 days unit not operating	IEC 68-2-3 Test Ca
Temperature cycling	Number of cycles Temperature change Transfert time Steady state time Status of unit	200 -40°C / +71°C 40 min. 20 min. unit not operating	IEC 68-2-14 Test N
Temperature shock	Number of shocks Temperature change Transfert time Steady state time Status of unit	50 -40°C / +105°C 10 sec. 20 min. unit not operating	IEC 68-2-14 Test Na
Mechanical Qualifications			
Vibration (Sinusoidal)	Number of cycles Frequency : amplitude Frequency : acceleration Amplitude /acceleration Duration Status of unit	10 cycles in each axis 10 to 60 Hz / 0.7 mm 60 to 2000 Hz / 10 g 0.7 mm/10 g 2h 30 min. per axis unit not operating	IEC 68-2-6 Test Fc
Shock (Half sinus)	Number of shocks Peak acceleration Duration Shock form Status of unit	3 shocks in each axis 100 g 6 ms 1/2 sinusoidal unit not operating	IEC 68-2-27 Test Ea
Bump (Half sinus)	Number of bumps Peak acceleration Duration Status of unit	2 000 bumps in each axis 25 g 6 ms unit not operating	IEC 68-2-29 Test Eb
Electrical Immunity Qualifications			
Electrical discharge susceptibility	Number of discharges Air discharge level Contact discharge level Air discharge level Contact discharge level	10 positive & 10 negative discharges 4 kV : sanction A 2 Kk : sanction A 8 Kk : sanction B 4 kV : sanction B	EN55082-2 with : EN61000-4-2 IEC 801-2
Electrical field susceptibility	Antenna position Electromagnetic field Wave form signal Frequency range	at 1 m 10 V/m AM 80%, 1 kHz 26 MHz to 1 GHz	EN55082-2 with : EN61000-4-3 IEC801-3
Electrical fast transient susceptibility	Burst form Wave form signal Impedance Level 1 Level 3	5/50 ns 5 kHz with 15 ms burst duration period 300 ms 50 Ohm 0,5 kV : sanction A 2 kV : sanction B	EN55082-2 with : EN61000-4-4 IEC801-4
Surge Susceptibility	Surge form Impedance Level 4	1,2/50 µs 2 Ohm 4 kV : with transient protection (see section surge)	EN61000-4-5 EN50155

12- Description of Protections

The MGDDI-06 series includes 2 types of protection devices.

12-1 Input Undervoltage Lockout (UVLO)

An input undervoltage protection will inhibit the module when input voltage drops below the lock-out turn-off threshold (see section 3 for value) and restores to normal operation automatically when the input voltage rises the lock-out turn-on threshold.

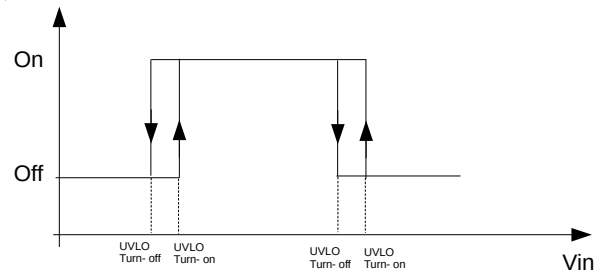
The UVLO voltage can be adjusted using a resistor (R_{uvlo}) connected between pin 2 and G_i . This value can be adjusted in order to allow converter to stop properly accordingly to the input bus (or battery) voltage value. The R_{uvlo} can be determined using the following formula :

$$R_{uvlo} (K\Omega) = [200.3 - V_{uvlo}] / [V_{uvlo} - 11.8]$$

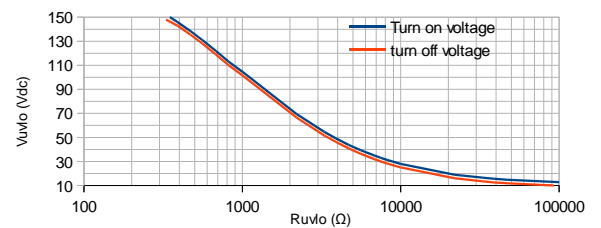
R_{uvlo} = trimming resistance

V_{uvlo} = desire turn-on voltage

Without resistor, the turn on voltage is 11.8V and turn off voltage is 10.8V



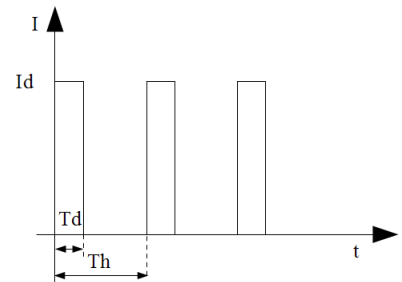
UVLO Voltage trimming



12-2 Output Over Current Limitation Protection (OCP)

The MGDDI-06 Series incorporates a overcurrent protection circuit. The overcurrent protection detects short circuit or over current and protects the module according to the hiccup graph . The maximum detection current I_d is depending on input voltage V_{in} , temperature, and is higher than 105 % maximum nominal output current.

When OCP is triggered, the converter falls in hiccup mode by testing periodically if the overload is still present. The module restart automatically to normal operation when overcurrent is removed. T_d (detection time) and T_h (hiccup period) are depending on V_{in} and temperature. In hiccup mode the average current is around 25 % of I_{nom} .



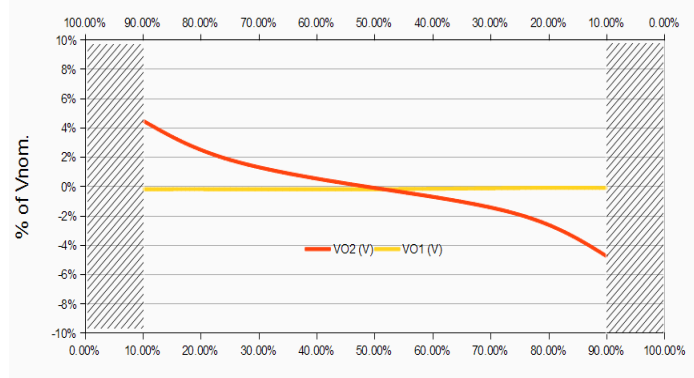
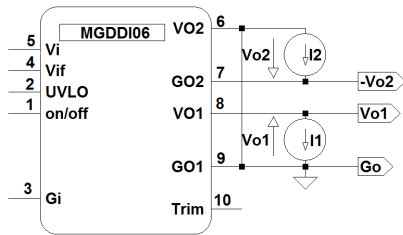
13- Description of Functions

13-1 Connection of Outputs

The outputs of MGDDI-06 can be connected in various configurations such as :

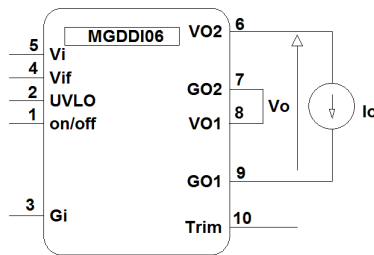
- connections in series
- connection in parallel
- connection in symmetry
- connection in independance

Please note that regulation is achieved through output V01/G01 referenced as primary output. When connected in symetrie or independant configurations with unbalanced loads, V01/G01 has to be loaded at 0,5W minimum to insure proper operating of the converter. The V02/G02 output referenced as secondary output may stay unloaded, but in that case its regulation may drift up as shown in curve below. There is no minimum load when the two outputs are connected in parallel or balanced serie.



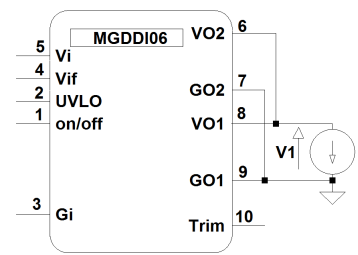
13-1-1 Connection of Outputs in Series

Outputs connected in series allow to achieve 10V, 24V, 30V or 48V output voltages up to 6W total power. These values can be extended using trim adjustment.



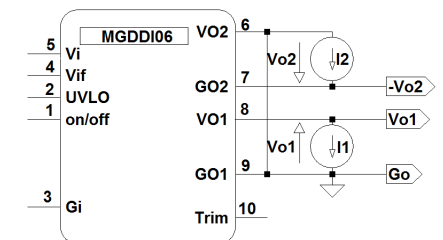
13-1-2 Connection of Outputs in Parallel

Outputs connected in parallel allow to achieve single output 5V, 12V, 15V or 24V up to 6W power. These values can be extended using trim adjustment.



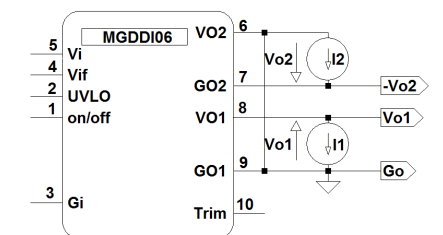
13-1-3 Connection of Outputs in Symmetry

Outputs connected in symetrie allow to achieve +/-5V, +/-12V, +/-15V or +/-24V voltages (+/-3W each) with possible unbalanced load up to 5W on primary output, 1W on secondary output and vice versa.



13-1-4 Connection of Outputs in Independance

Outputs connected independantly with floating DC between each other can be achieved for 2x5V, 2x12V, 2x15V or 2x24V voltages (3W each) with possible unbalanced load up to 5W on primary output 1W on secondary output and vice versa.



5

13- Description of Functions (continued)

13-2 Trim Function

The output voltage Vo1 may be trimmed in a range of 80%/110% of the nominal output voltage (100%/110% for 3,3 Vdc output voltage) via a single external trimpot or fixed resistor.

The VO2 output will be automatically trimmed in the same value than VO1, whatever the outputs combination is.

Trim Up Function

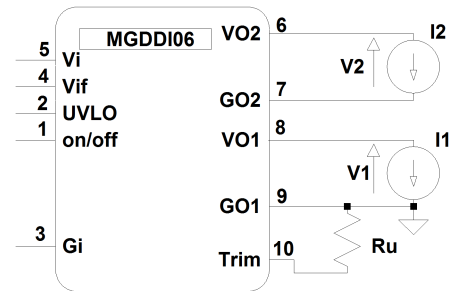
Do not attempt to trim the module higher than 110% of nominal output voltage as the overvoltage protection may occur.

Also do not exceed the maximum rated output power when the module is trimmed up.

The trim up resistance must be calculated with the following formula :

$$R_U (k \Omega) = 4,7 \cdot \frac{VO_{nom} - 1,225}{VO - VO_{nom}} - 0,27$$

Ru is trim resistor value in KOhm
 VO_{nom} is nominal output voltage
 VO is desired trimmed output voltage



Trim Down Function

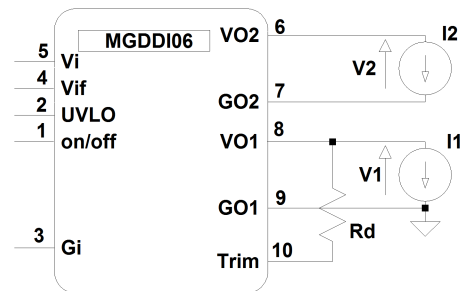
Do not trim down more than -20% of nominal output voltage otherwise the module may be damaged.

The available output power is reduced by the same percentage that output voltage is trimmed down.

The trim down resistance must be calculated with the following formula :

$$R_D (k \Omega) = 4,7 \cdot \left(\frac{VO_{nom}}{1,225} - 1 \right) \cdot \frac{VO - 1,225}{VO_{nom} - VO} - 0,27$$

Rd is trim resistor value in KOhm
 VO_{nom} is nominal output voltage
 VO is desired trimmed output voltage



5

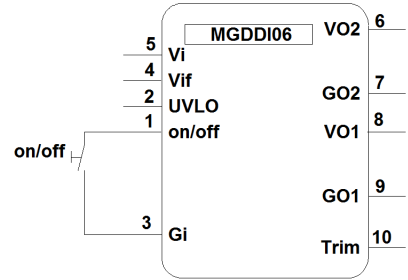
13- Description of Functions (continued)

13-3 On/Off Function

The control pin 1 (On/Off) can be used for applications requiring On/Off operation. This may be done with an open collector transistor, a switch, a relay or an optocoupler. Several converters may be disabled with a single switch by connecting all On/Off pins together.

- The converter is disabled by pulling low the pin 1.
- No connection or high impedance on pin 1 enables the converter.

By releasing the On/Off function, the converter will restart within the start up time specifications given in table section 3



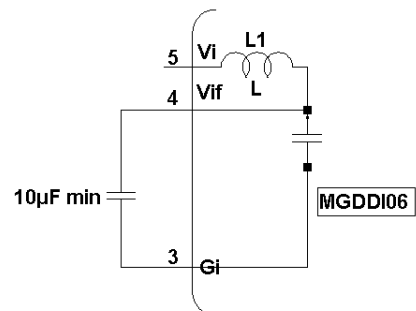
Parameter	Unit	Min.	Typ.	Max.	Notes, conditions
On/Off module enable voltage	Vdc	2.5	/	3.3	Open, the switch must not sink more than 50µA
On/Off module disable voltage	Vdc	0	/	0.5	The switch must be able to sink 0,5mA
On/Off module enable delay	ms	/	/	30	The module restarts with the same delay after alarm mode removed
On/Off module disable delay	µs	/	/	100	Vi nominal, full load

13-4 Input Filter Compensation (VIF)

The «VIF» pin is a direct access to the capacitor of the LC input filter and allows to increase the C value to enhance the converter's stability and performance and to reduce the input current ripple for improved EMI performance.

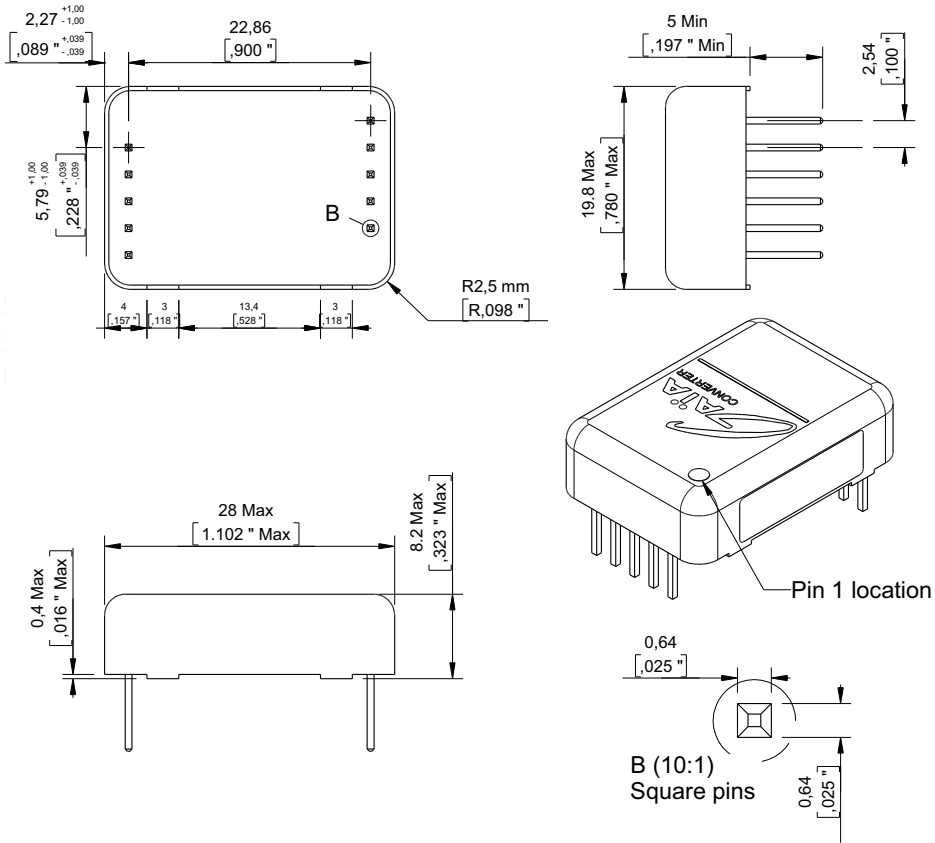
It is recommended to provide for at least 10µF/low ESR ceramic capacitors.

These capacitors should have the proper voltage rating and should be connected between «VIF» and «Gin» as close as possible from the converter, using large copper traces.



14- Dimensions

Dimension are given in mm. Tolerance : +/- 0,2 mm (+/- 0.01 ") unless otherwise indicated.
 All dimensions specified "Min" or "Max" are subjected to tolerance Min^{+0,5/-0mm} and Max^{+0/-0,5mm}.
 Weight : 12 grams (0.4 Ozs) max.



15- Materials

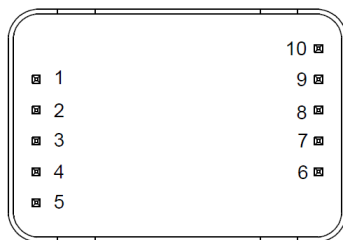
Case : Metallic black anodized coating.
 Pins : Flash gold plating over nickel underplate.

16- Product Marking

Upper face : Company logo.
 Side face : Module reference, option, date code : year and week of manufacturing.

17- Connections

The MGDI-06 series has been designed for on-board mounting.
 it is recommended not to lay-out any component under the module.



Bottom view

Pin	Dual
1	On/Off
2	UVLO
3	- Input (Gi)
4	VIF
5	+ Input (Vi)
6	+ Output 2 (Vo2)
7	- Output 2 (Go2)
8	+ Output 1 (Vo1)
9	- Output 1 (Go1)
10	Vtrim



For more detailed specifications and applications information, contact :

International Headquarters

GAIA Converter - France
ZI de la Morandière
33185 LE HAILLAN - FRANCE
Tel. : + (33)-5-57-92-12-80
Fax : + (33)-5-57-92-12-89

North American Headquarters

GAIA Converter Canada, Inc
4038 Le Corbusier Blvd
LAVAL, QUEBEC - CANADA H7L 5R2
Tel. : (514)-333-3169
Fax : (514)-333-4519

Represented by :