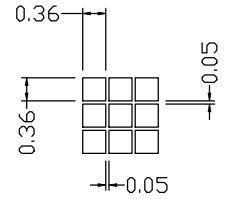
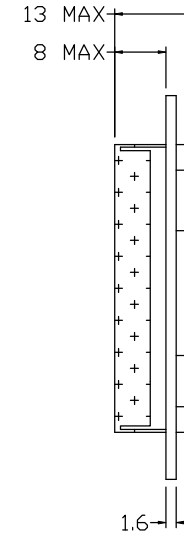
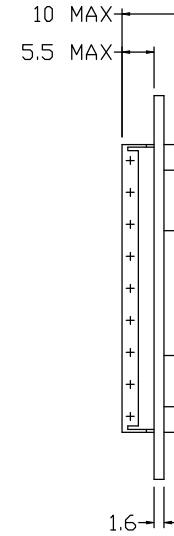
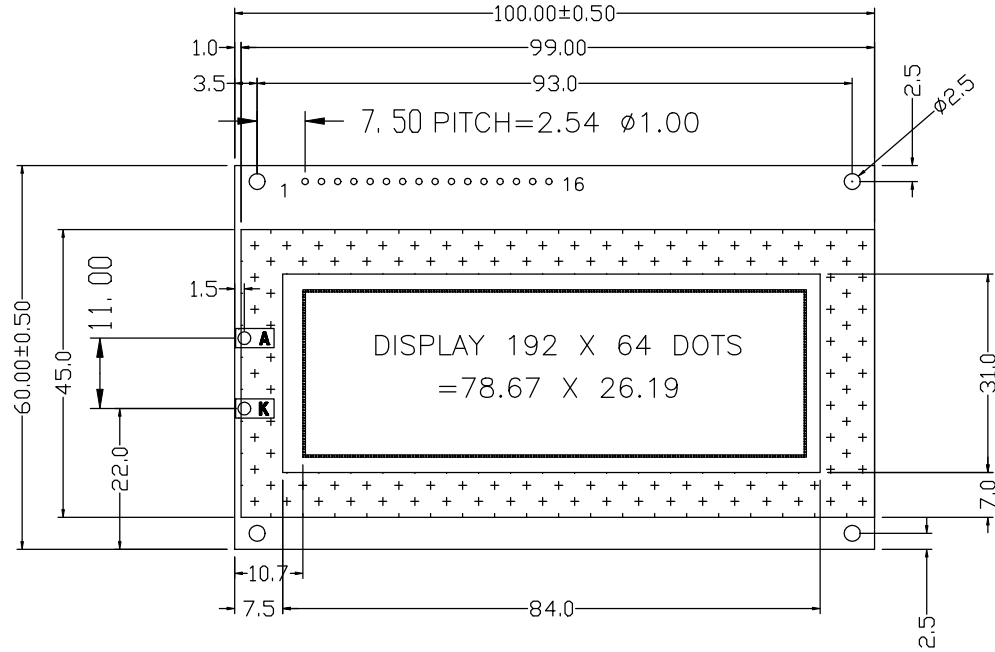


MGL(S)-19264

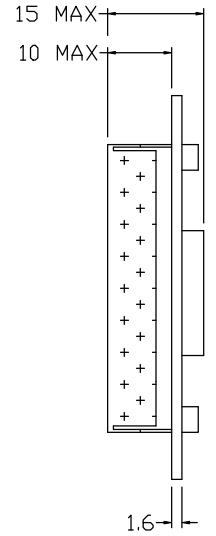
192 X 64 DOTS



A & K
INSIDE ϕ 1mm
OUTSIDE ϕ 2mm



WITH LED03



WITH LED04

| 16 PIN CONNECTION | 1 | 2 | 3 | 4 | 5 | 6 | 7 | 8 | 9 | 10 | 11 | 12 | 13 | 14 | 15 | 16 |
|-------------------|------|------|-----|-----|----|-----|-----|---|-----|-----|-----|-----|-----|-----|-----|-----|
| | /CSA | /CSB | VSS | VDD | V0 | D/I | R/W | E | DB0 | DB1 | DB2 | DB3 | DB4 | DB5 | DB6 | DB7 |

