

Specification of LCD Module type

MGLS – 240128

1. General Description

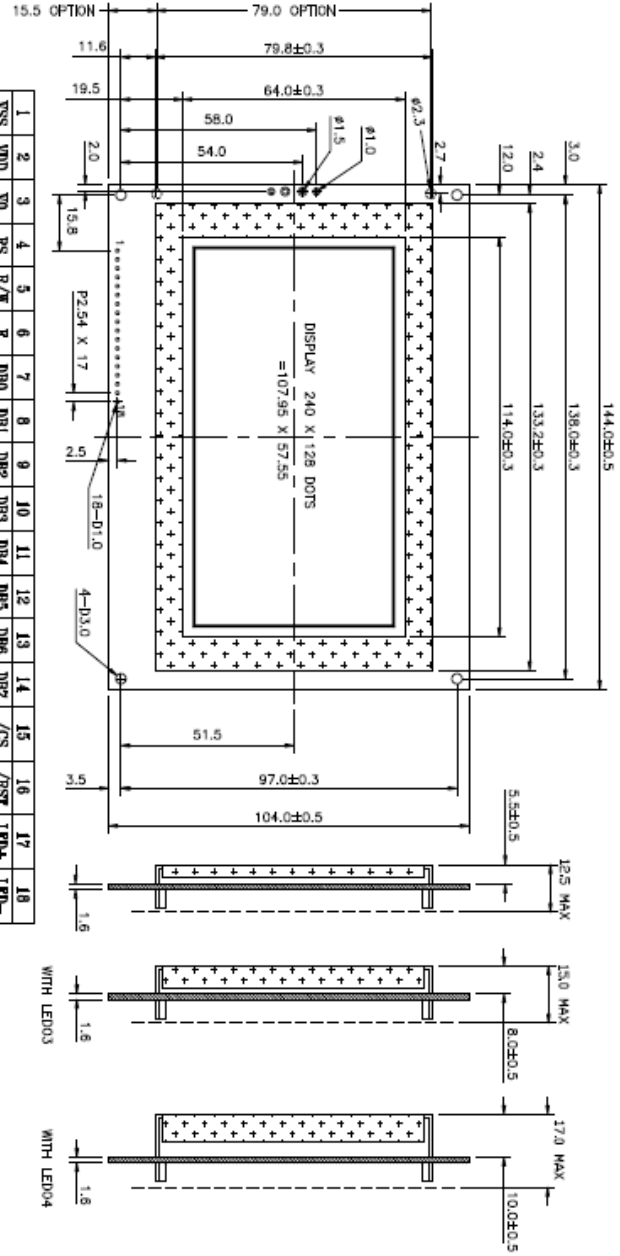
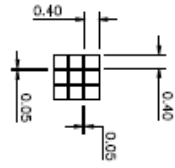
- Small Form Factor Full Graphics 240 x 128 pixels
- Optional Integral Controller/Driver type T6963C.....not available on all resolutions(application note available on request)
- STN, FSTN** Positive and Negative mode**
- Optional LED Backlight (note including Backlight will increase height of module (see drawing)
- Variety of Backlight colours Green, White**, Blue**, Red**, Amber **
- Temperature Ranges 0 to 50°C, -20 to 70°C**
- View angle 6 o'clock other options on special request**

** Items marked are non standard options, and may carry factory MOQ. Please check with your local sales office for availability of the options.

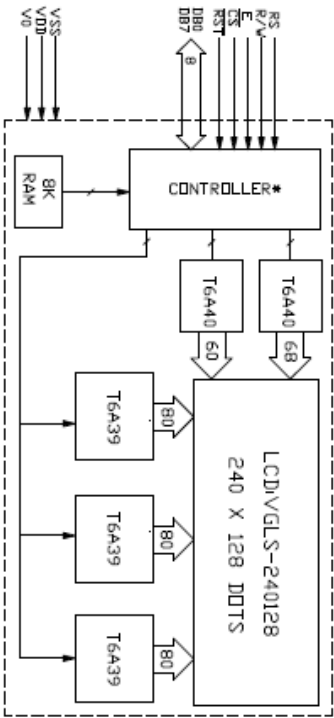
2. Mechanical Specifications

Table 1

Parameter	Specifications	Unit
Outline Dimensions	144.0 (W) x 104.0 (H) x 15.0 (D) max NOTE Depth (D) is lower without Backlight	mm
View Area VA	114.0 (W) x 64.0 (H)	mm
Format	240 (W) x 64 (H) Pixels	
Pixel Size	0.40 (W) x 0.40 (H)	mm
Pixel Spacing	0.05 (W) x 0.05 (H)	mm
Pixel Pitch	0.45 (W) x 0.45 (H)	mm
Active Area	107.95 (W) x 57.55 (H)	mm



1	2	3	4	5	6	7	8	9	10	11	12	13	14	15	16	17	18
YSS	VDD	V0	RS	R/W	Z	DB0	DB1	DB2	DB3	DB4	DB5	DB6	DB7	/CS	/RST	LED+	LED-



* HD61830 OR EQUIVALENT

3. Interface Signals

Table 2

Pin No	Symbol	Description
1	GND	Ground
2	Vdd	Logic Voltage
3	Vo	LCD Bias Voltage (Contrast)
4	RS	Register Select
5	R/W	Read/Write Signal 'High' for Read mode 'Low' for Write mode
6	E	Enable Start signal for Read/Write
7	DB0	Data input/output LSB
8	DB1	Data input/output
9	DB2	Data input/output
10	DB3	Data input/output
11	DB4	Data input/output
12	DB5	Data input/output
13	DB6	Data input/output
14	DB7	Data input/output MSB
15	/CS	Chip Select
16	/RST	Reset
17	LED+	Anode
18	LED-	Cathode

Typical ordering code MGLS 240128 LV LED03

This is STN Display (S), Transflective, Green Mode , Yellow Green LED Edge style Backlight , Standard Temperature Range (LV), 6 o'clock View.

Full part number and full specification will be confirmed dependant on the option selected i.e.

Display type, LED Type and Colour, Temperature Range etc

END