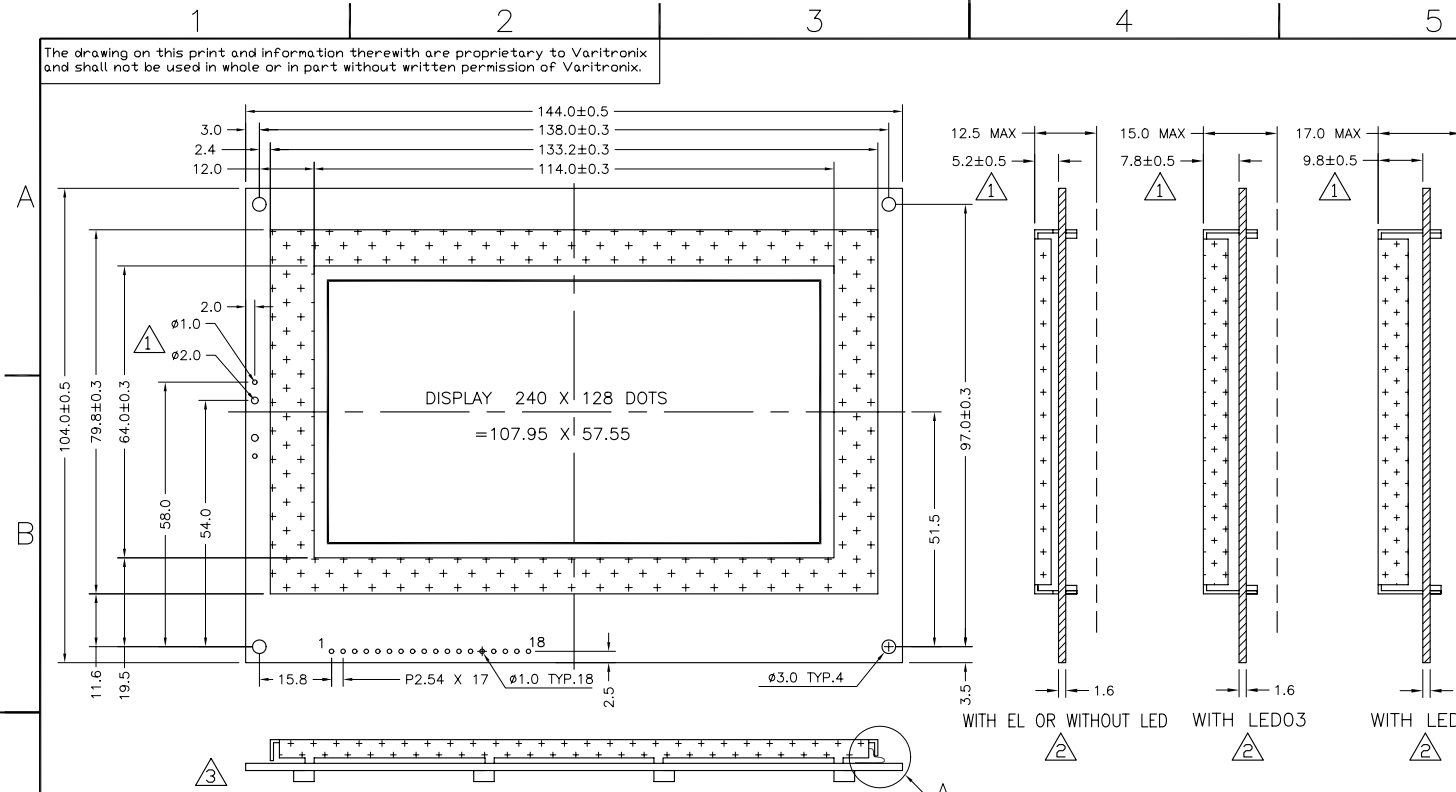
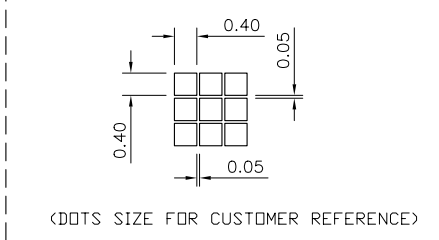


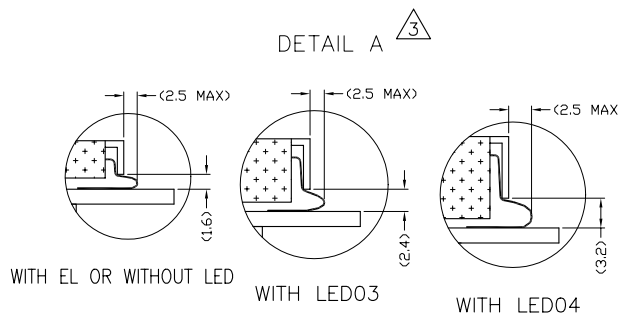
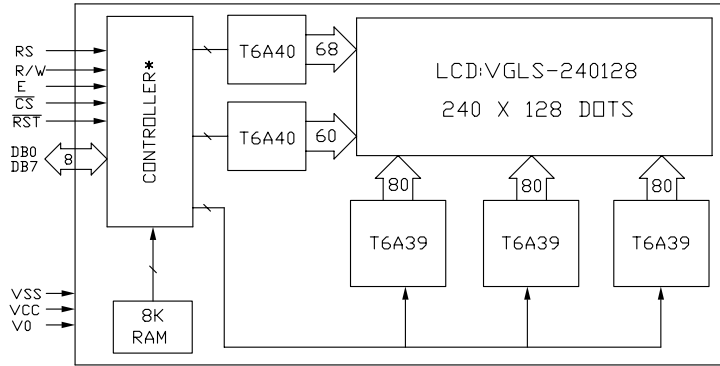
The drawing on this print and information therewith are proprietary to Varitronix and shall not be used in whole or in part without written permission of Varitronix.



ISSUE	AMENDMENT	DATE
①	UPDATE DIMENSION ADD THE NOTES	03.02.19
②	UPDATE DRAWING	03.05.20
③④	ADD BOTTOM VIEW AND DETAIL DRAWING A UPDATE IC AND ADD LED05	05.09.02



TITLE: LCM Module Specification			
PROJECT NO: MGLS240128			
TOLERANCE UNLESS OTHERWISE SPECIFIED:	X.X ±0.3	X.XX ±0.1	ANGULAR: ± 1°
DIMENSIONS IN MM	MATERIAL: N/A FINISH: N/A		
SCALE: DO NOT IN SCALE	OVERALL THK: N/A		
THIRD ANGLE PROJECTION			
	NAME	SIGN	DATE
DRAWN:	XB LONG		
CHECKED:	ZB TANG		
APPROVED:	CHARM		
ITEM NO.: MGLS240128-XX			
DESCRIPTION: MGLS240128			
FILE NO: MGLS240128-XX R3 REV: 3			
SHEET 1 OF 2			



③ * LC7981 OR EQUIVALENT

1	2	3	4	5	6	7	8	9	10	11	12	13	14	15	16	17	18
VSS	VCC	V0	RS	R/W	E	DB0	DB1	DB2	DB3	DB4	DB5	DB6	DB7	/CS	/RST	LED+	LED-

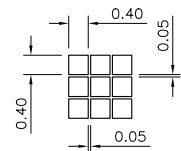
- NOTES:**
- ◇ : SPECIAL CHARACTERISTIC
 - + : SAFETY CHARACTERISTIC
 - ▽ : CRITICAL DIMENSION
 - (...) : REFERENCE DIMENSION

VARITRONIX LIMITED

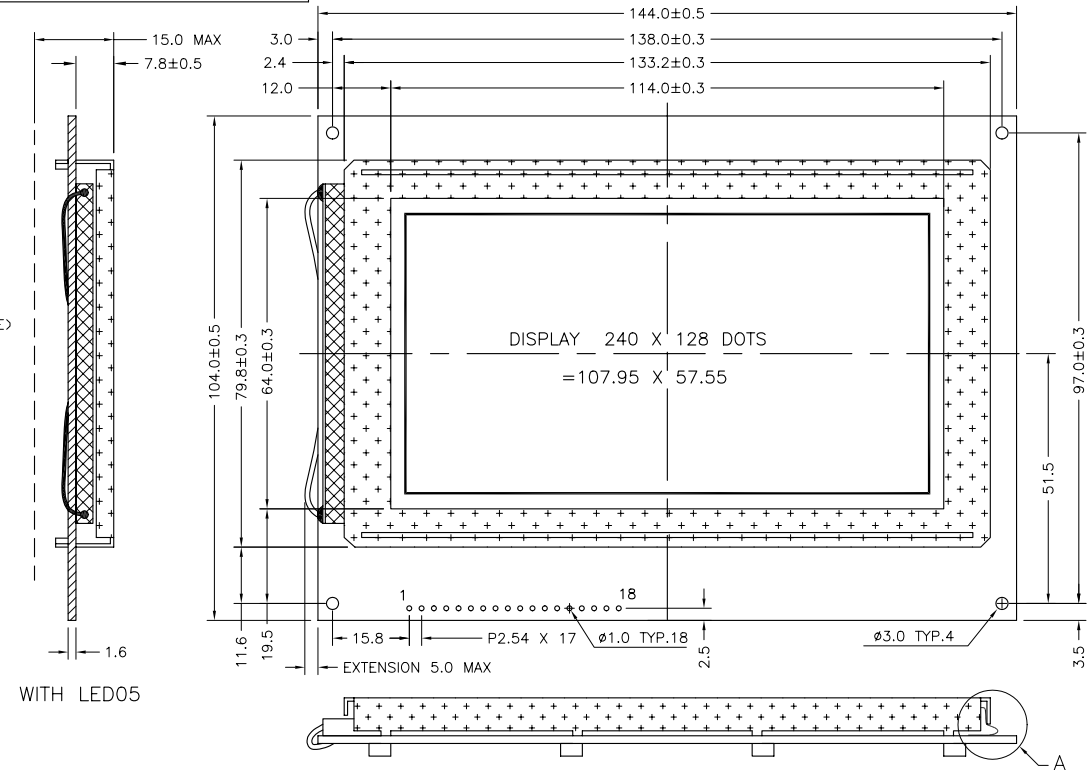
The drawing on this print and information therewith are proprietary to Varitronix and shall not be used in whole or in part without written permission of Varitronix.

ISSUE	AMENDMENT	DATE
1	UPDATE DIMENSION ADD THE NOTES	03.02.19
2	UPDATE DRAWING	03.05.20
3 ⁴	ADD BOTTOM VIEW AND DETAIL DRAWING A UPDATE IC AND ADD LED05	05.09.02

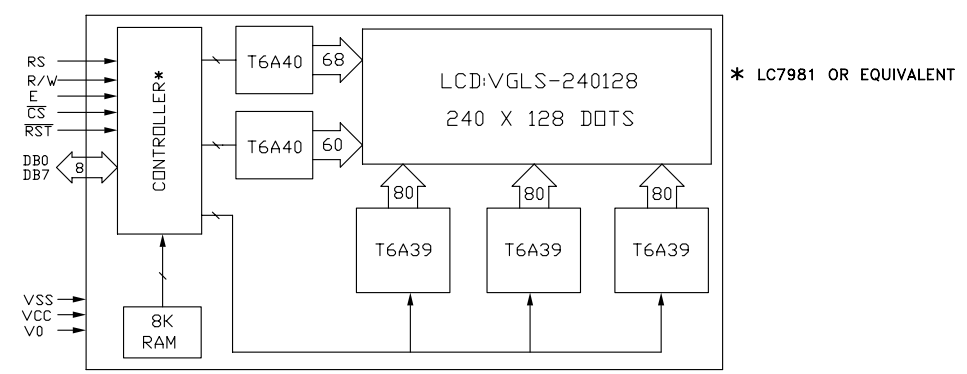
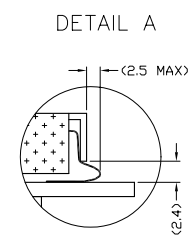
A
B
C
D



(DOTS SIZE FOR CUSTOMER REFERENCE)



WITH LED05



* LC7981 OR EQUIVALENT

1	2	3	4	5	6	7	8	9	10	11	12	13	14	15	16	17	18
VSS	VCC	V0	RS	R/W	E	DB0	DB1	DB2	DB3	DB4	DB5	DB6	DB7	/CS	/RST	LED+	LED-

NOTES:
 1. ◇ : SPECIAL CHARACTERISTIC
 2. + : SAFETY CHARACTERISTIC
 3. ▽ : CRITICAL DIMENSION
 4. (...): REFERENCE DIMENSION



TITLE: LCM Module Specification		
PROJECT NO: MGLS240128		
TOLERANCE UNLESS OTHERWISE SPECIFIED:	X.X ±0.3	X.XX ±0.1
DIMENSIONS IN MM	ANGULAR: ± 1°	
MATERIAL: N/A	FINISH: N/A	
SCALE: DO NOT ON SCALE	OVERALL THK: N/A	
THIRD ANGLE PROJECTION		
	NAME	SIGN
DRAWN:	XB LONG	
CHECKED:	ZB TANG	
APPROVED:	CHARM	
ITEM NO.: MGLS240128-XX		
DESCRIPTION: MGLS240128		
FILE NO:	MGLS240128-XX R3	REV: 3
SHEET	2	OF 2

A
B
C
D