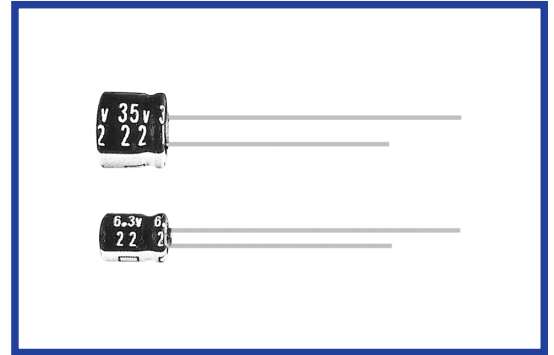


**MH5 SERIES**

105°C 5mm Height

◆FEATURES

•RoHS compliance.

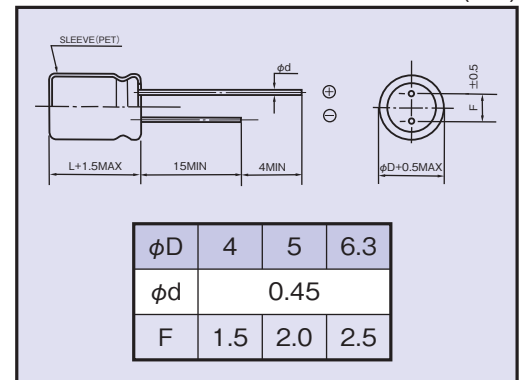


◆SPECIFICATIONS

Items	Characteristics							
Category Temperature Range	-40~+105°C							
Rated Voltage Range	6.3~50Vdc							
Capacitance Tolerance	±20% (20°C, 120Hz)							
Leakage Current(MAX)	I=0.01CV or 3µA whichever is greater. (After 2 minutes application of rated voltage) I=Leakage Current(µA)    C=Capacitance(µF)    V=Rated Voltage(Vdc)							
(tanδ) Dissipation Factor(MAX)	Rated Voltage (Vdc)	6.3	10	16	25	35	50	(20°C, 120Hz)
	tanδ	0.28	0.24	0.20	0.16	0.13	0.12	
Endurance	After applying rated voltage with rated ripple current for 1000 hours at 105°C, the capacitors shall meet the following requirements.							
	Capacitance Change	Within ±25% of the initial value.						
	Dissipation Factor	Not more than 200% of the specified value.						
	Leakage Current	Not more than the specified value.						
Low Temperature Stability Impedance Ratio(MAX)	Rated Voltage (Vdc)	6.3	10	16	25	35	50	(120Hz)
	Z(-25°C)/Z(20°C)	3	3	2	2	2	2	
	Z(-40°C)/Z(20°C)	8	5	4	3	3	3	

◆DIMENSIONS

(mm)



◆MULTIPLIER FOR RIPPLE CURRENT

Frequency (Hz)	60(50)	120	500	1k	10k≤	
Coefficient	0.47~1µF	0.50	1.00	1.20	1.30	1.50
	2.2~4.7µF	0.65	1.00	1.20	1.30	1.50
	10~47µF	0.80	1.00	1.20	1.30	1.50
	100µF	0.80	1.00	1.10	1.15	1.20

◆STANDARD SIZE Size φD×L(mm), Rated Ripple Current (mA r.m.s./105°C, 120Hz)

Vdc	Cap (µF)	Size (φD×L)	Rated Ripple Current	
6.3	22	4×5	23	
	33	5×5	30	
	47	5×5	37	
	100	6.3×5	57	
10	22	5×5	28	
	33	5×5	34	
	47	6.3×5	52	
	100	6.3×5	62	
16	10	4×5	20	
	22	5×5	31	
	33	6.3×5	48	
	47	6.3×5	56	
	100	6.3×5	62	
	25	6.3×5	56	
25	10	5×5	22	
	22	6.3×5	44	
	33	6.3×5	48	
	47	6.3×5	56	
	35	4.7	4×5	17
		10	5×5	24
22		6.3×5	48	
0.47		4×5	4	
1		4×5	8	
2.2		4×5	13	
50	3.3	4×5	14	
	4.7	5×5	18	
	10	6.3×5	28	

◆OPTION

	Code
PET Sleeve	EFC

◆PART NUMBER

□□□	MH5	□□□□□	M	□□□	□□	D×L
Rated Voltage	Series	Capacitance	Capacitance Tolerance	Option	Lead Forming	Case Size