



## MH7807/MH8807 oscillator/clock drivers

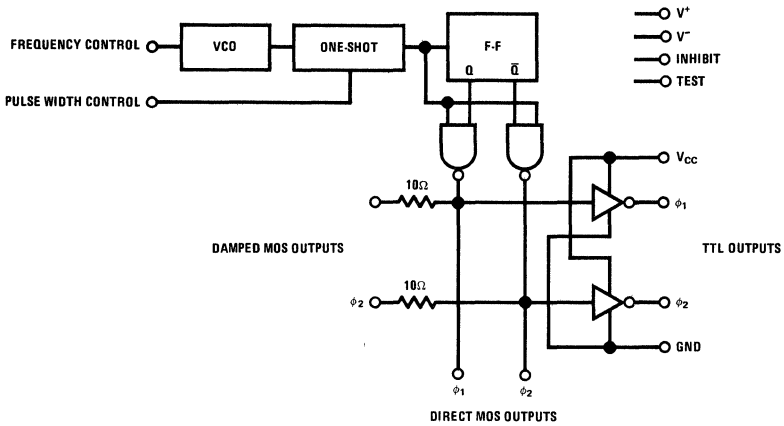
### general description

The MH7807/MH8807 is a complete self-contained two-phase oscillators and clock driver subsystems for MOS micro-computer, calculator and shift register systems.

### features

- No external timing components
- Two non-overlapping outputs
- Both frequency and pulse width are voltage controlled
- Frequency adjustable from 400 kHz to 2 MHz
- Pulse width adjustable from 300 ns to 2 $\mu$ s
- Low power for battery operation
- TTL outputs for verification and synchronization
- Both direct and damped MOS outputs

### logic diagram



### connection diagram

