



Features

- Differential to single ended conversion
- No transformers required
- Minimum installation space
- Off-Hook detection and LED indicator drive
- Relay drive output
- Battery and ringing feed to line
- Logic interface: $\overline{\text{MUTE}}$, $\overline{\text{OFHK}}$, RC
- Mute of incoming audio
- Dial pulse detection
- Voltage surge protection

Applications

Line Interface for:

- PABX
- Intercoms
- Key Systems

| Ordering Information | |
|----------------------|--------------------|
| MH88500IN | 20 Pin SIL Package |
| 0°C to 70°C | |

Description

The Mitel MH88500IN Subscriber Line Interface Circuit provides a complete interface between the telephone line and a speech switch requiring only single bidirectional switch per crosspoint. The functions provided by the MH88500IN include bidirectional differential to single ended conversion in the speech path, line battery feed, ringing feed and loop and dial pulse detection. The device is fabricated as a thick film hybrid in a 20-pin 'single-in-line' package allowing optimum circuit board packing density.

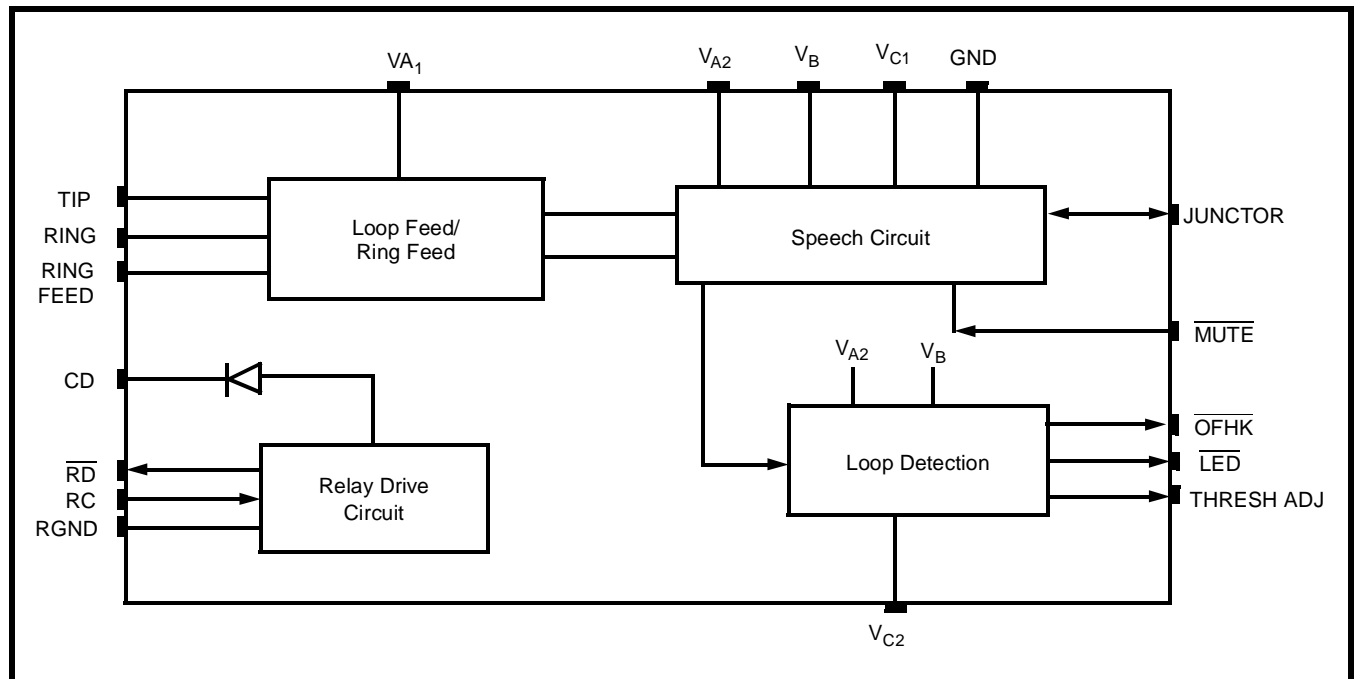


Figure 1 - Functional Block Diagram

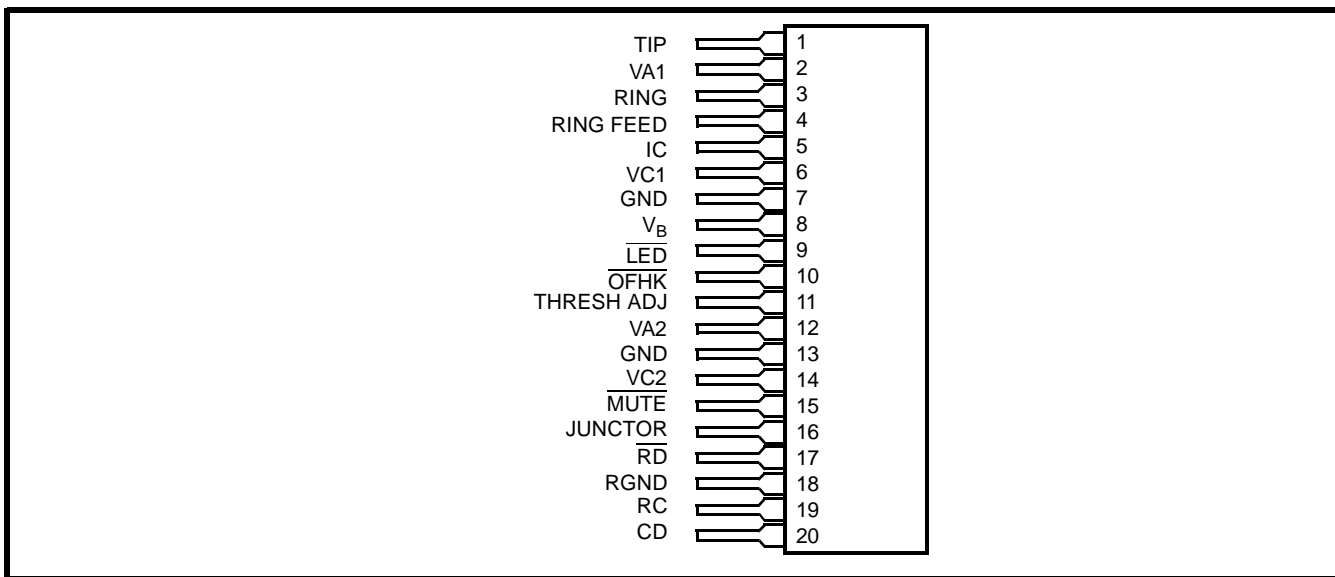


Figure 2 - Pin Connections

Pin Description

| Pin # | Name | Description |
|-------|-------------------|--|
| 1 | TIP | Tip Lead. Connects to the “Tip” lead (A-wire) of the telephone line. |
| 2 | V_{A1} | Positive Line Feed Supply Voltage. Normally connected to V_{A2} . |
| 3 | RING | Ring Lead. Connects to the “Ring” lead (B-wire) of the telephone line. |
| 4 | RING FEED | Negative Line Feed Voltage and Ringing Input. Normally connected to Ring Relay. |
| 5 | IC | Internal Connection. Leave open circuit. Use for testing only. |
| 6 | V_{C1} | Sense Input. Normally connected to negative line feed voltage supply. |
| 7 | GND | Analog ground (0V). Internally connected to pin 13. |
| 8 | V_B | Negative Analog Supply Voltage. |
| 9 | \overline{LED} | LED Drive Output. Drives an \overline{LED} directly. Off-Hook condition, logic low. |
| 10 | \overline{OFHK} | Logic Low Output. Indicates closed loop condition (Off-Hook and dial pulsing). |
| 11 | THRESH ADJ | Allows adjustment of \overline{OFHK} detection threshold. |
| 12 | V_{A2} | Positive Power Supply Voltage. Normally connected to V_{A1} . |
| 13 | GND | Analog Ground (0V). Internally connected to pin 7. |
| 14 | V_{C2} | Loop Detector Voltage Supply. Connected to negative line feed voltages supply. |
| 15 | \overline{MUTE} | Input mutes the incoming audio. Active low. |
| 16 | JUNCTOR | Receive/transmit audio speech path. (referenced to 0V GND) |
| 17 | \overline{RD} | Relay Drive Output. Open collector sinks current when RC high. Diode clamp protected. |
| 18 | RGND | Ground for Relay Drive Circuit. |
| 19 | RC | Ring Control Input. Active high. |
| 20 | CD | Clamping Diode. Normally connected to relay positive voltage. |

Functional Description

Speech Circuit

The speech circuit converts the bidirectional TIP and RING line pair to a bidirectional single ended junctor line. Figure 3 illustrates a typical connection between two SLIC's through two crosspoint switches. This configuration gives optimum transhybrid loss as seen from Figure 4 given that the output impedance of the Junctor line is 604Ω.

The $\overline{\text{MUTE}}$ input mutes signals coming from TIP and RING to the junctor line while allowing the signal from the junctor to the tip-ring pair to be transmitted.

Loop Detection

The loop detection circuit determines whether a low enough impedances is across TIP and RING to be recognized as an off-hook condition.

(Threshold impedance = 5.4kΩ with no adjustment)
This threshold level can be adjusted by the use of external resistors as shown in Figure 6. $\overline{\text{OFHK}}$ has low output drive capability so it may drive CMOS operating with different power supplies.

Line Feed/Ring Feed Circuit

The line feed circuit provides loop current and the ability to apply ringing onto TIP and RING. The impedance from RING FEED to GND is 600Ω which gives the loop current as:

$$IL = \frac{\text{Voltage at RING FEED pin}}{\text{Telephone Impedance} + 600} \quad \text{Amps}$$

The positive supply for the line feed circuit is V_{A1} through the loop current is determined from RING FEED and GND.

Relay Drive Circuit

The relay drive circuit switches ringing onto RING FEED (Fig.7). The diode is present to suppress voltage transients during relay switches caused by the inductive coils of the relay. Ringing voltage includes AC ringing (90V typically) an dDC line feed voltage (-24V typically).

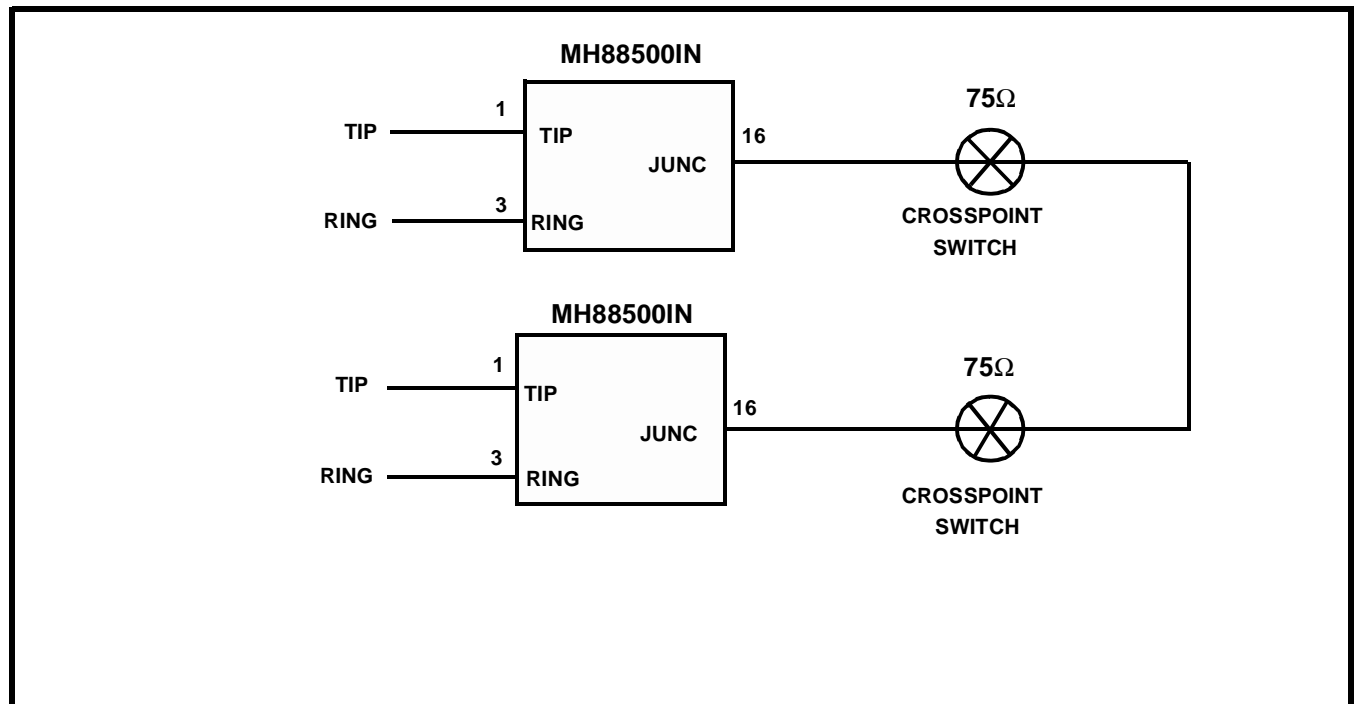


Figure 3 - SLIC Crosspoint Switch Connection

Absolute Maximum Ratings†

| | Parameter | Symbol | Min | Max | Units |
|---|--|------------------|-----|------|-------|
| 1 | Voltage Supplies - V_{Ref} to GND | V_{A1}, V_{A2} | | | V |
| | | V_B | -18 | +18 | V |
| | | V_{C1}, V_{C2} | -35 | | V |
| 2 | Clamp Diode Breakdown Voltage- V_{Ref} to RGND | V_{CD} | | +15 | V |
| 3 | Operating Temperature | T_{AMB} | 0 | +70 | °C |
| 4 | Storage Temperature | T_{STG} | -40 | +100 | °C |
| 5 | Power Dissipation | P_D | | 1.2 | Watt |

† Exceeding these values may cause permanent damage. Functional operation under these conditions is not implied.

AC Electrical Characteristics†

Voltages are with respect to ground (V_{SS}), $T_A = 25^\circ\text{C}$, unless otherwise stated.
Test conditions unless noted, $V_{A1}=V_{A2}=+7\text{V}$, $V_B=8\text{V}$, $V_{C2}=-24\text{V}(\pm 5\%)$.

| | Characteristics | Sym | Min | Typ† | Max | Units | Test Conditions | |
|----|---|-----------------|--------------|----------|-----|-----------|---|--------|
| 1 | Junctor to differential output (tip-ring) gain. | A_{JL} | 0.8 | 1.0 0 | 1.2 | V/V dB | 1kHz, 400mV _{RMS} source on pin 16. Note 2 | |
| 2 | Differential Input (tip-ring) to junctor gain | A_{LJ} | 0.8 | 1.0 0 | 1.2 | V/V dB | 1kHz, 1V _{RMS} Source on pins 1&3. Note 1,2 | |
| 3 | On/Off Hook Detection Threshold | Loop Resist | R_{Thresh} | 4.0 | 5.4 | 6.0 | k Ω | Note 1 |
| | | Loop Current | I_{Thresh} | 3.6 | 4.0 | 5.3 | mA | Note 1 |
| 4 | Trans Hybrid Loss | | | 55 | | dB | Notes 1,2. See Figure 2 | |
| 5 | Passband Linearity | | | ± 1 | | dB | Notes 1,2 | |
| 6 | Power Supply Rejection Ratio (VC to Junctor) | PSRR | | 40 | | dB | Notes 1,2 | |
| 7 | Common Mode Rejection Ratio (Tip and Ring to Junctor) | CMRR | | 40 | | dB | Notes 1,2 | |
| 8 | Low Frequency Cutoff (3dB) | Junctor to Line | F_{LLJ} | 53 | | Hz | Notes 1,2 | |
| | | Line to Junctor | F_{LJL} | 20 | | Hz | Notes 1,2 | |
| 9 | High Frequency Cutoff (3dB) | Line to Junctor | F_{HLJ} | 800 | | kHz | Notes 1,2 | |
| | | Junctor to Line | F_{HJL} | 500 | | kHz | Notes 1,2 | |
| 10 | Longitudinal Balance | | | 65 | | dB | Note 1 | |
| 11 | Tip (or Ring) to ground AC input impedance | Z_I | | 300 | | Ω | | |
| 12 | Junctor output impedance | Z_{OJ} | | 604 | | Ω | | |

† Exceeding these values may cause permanent damage. Functional operation under these conditions is not implied.

‡ Typical figures are at 25°C with nominal $\pm 5\text{V}$ supplies and are for design aid only: not guaranteed and not subject to production testing.

Note 1: 754 Ω connected between JUNCTOR (pin 16) and 0V.

Note 2: 604 Ω connected between TIP (pin 1) and RING (pin 3).

DC Electrical Characteristics

| | | Characteristics | Sym | Min | Typ [‡] | Max | Units | Test Conditions |
|----|---------------------------------|---------------------------|------------------|------|------------------|-----|---------|---|
| 1 | S U P P L Y | Operating Supply Voltages | V_{A1}, V_{A2} | | | +13 | V | |
| | | | V_B | -13 | -24 | | V | |
| 2 | S U P P L Y | Operating Supply Currents | V_{C1}, V_{A2} | -30 | | -20 | V | |
| | | | I_{A1} | | 7 | | mA | |
| 3 | I N P U T S | High Level Input Voltage | I_{A2} | | 8 | | mA | |
| | | | I_B | | 6 | | mA | |
| 4 | I N P U T S | Low Level Input Voltage | I_{C1} | .2 | | | mA | |
| | | | I_{C2} | .1 | | | mA | |
| 5 | I N P U T S | High Level Input Current | V_{IH} | 4.2 | | | V | |
| | | | V_{IH} | 3 | | | V | |
| 6 | I N P U T S | Low Level Input Current | V_{IL} | .8 | | | V | |
| | | | V_{IL} | 1 | | | V | |
| 7 | O U T P U T S | High Level Output Voltage | I_{IH} | -28 | | | μ A | |
| | | | I_{IH} | 700 | | | μ A | |
| 8 | O U T P U T S | Low Level Output Voltage | I_{IL} | 100 | | | μ A | |
| | | | I_{IL} | 1 | | | μ A | |
| 9 | O U T P U T S | Sink Current | I_{LED} | 2 | 6 | | mA | $V_{OFHK}, -6V$ $CD=RC=5V, RGD=0V$ $V_{RRD} < 1.5V$ |
| | | | I_{RD} | 65 | 100 | | mA | |
| 10 | O U T P U T S | Diode Clamp Current | I_{RLY} | 65 | 100 | | mA | $RC=RGND=0V,$ $CD=5V V_{RRD} < 1.5V$ |
| 11 | O U T P U T S | High Level Output Voltage | V_{OH} | 6 | | | V | \overline{LED} Unconnected |
| 12 | O U T P U T S | Low Level Output Voltage | V_{OL} | -6.5 | | | V | \overline{LED} Unconnected |
| 13 | O U T P U T S | High Level Output Current | I_{OH} | 10 | | | μ A | |
| 14 | O U T P U T S | Low Level Output Current | I_{OL} | 10 | | | μ A | |

‡ Typical figures are at 25°C with nominal ± 5V supplies and are for design aid only: not guaranteed and not subject to production testing.

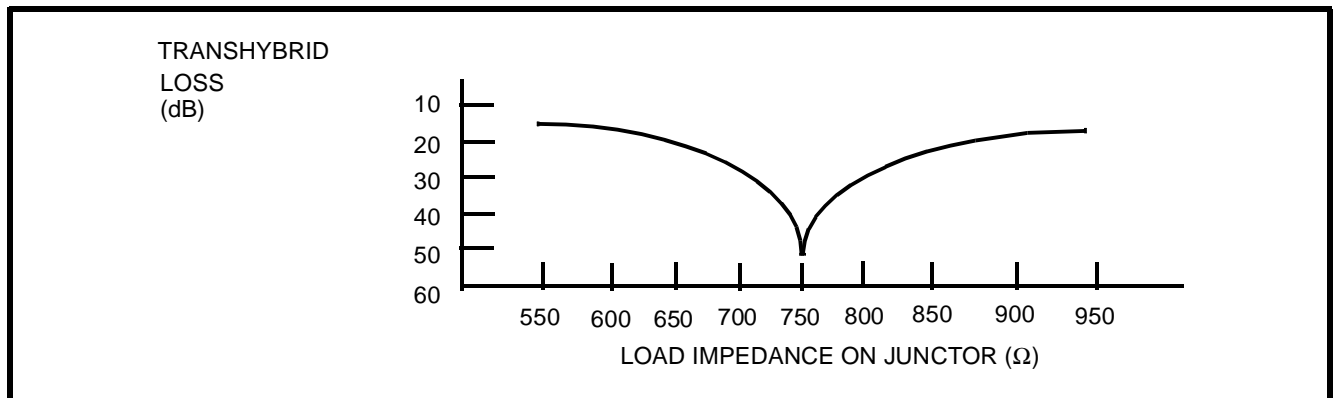


Figure 4 - Return Loss VS Junctor Load Impedance

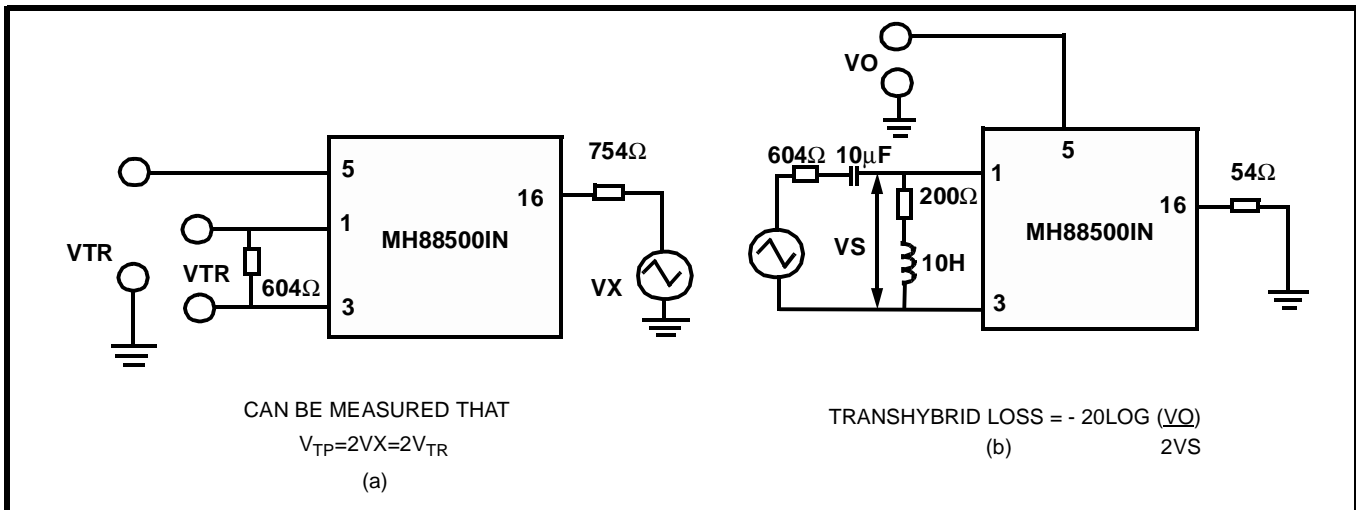


Figure 5 - Transhybrid Loss Test Circuit

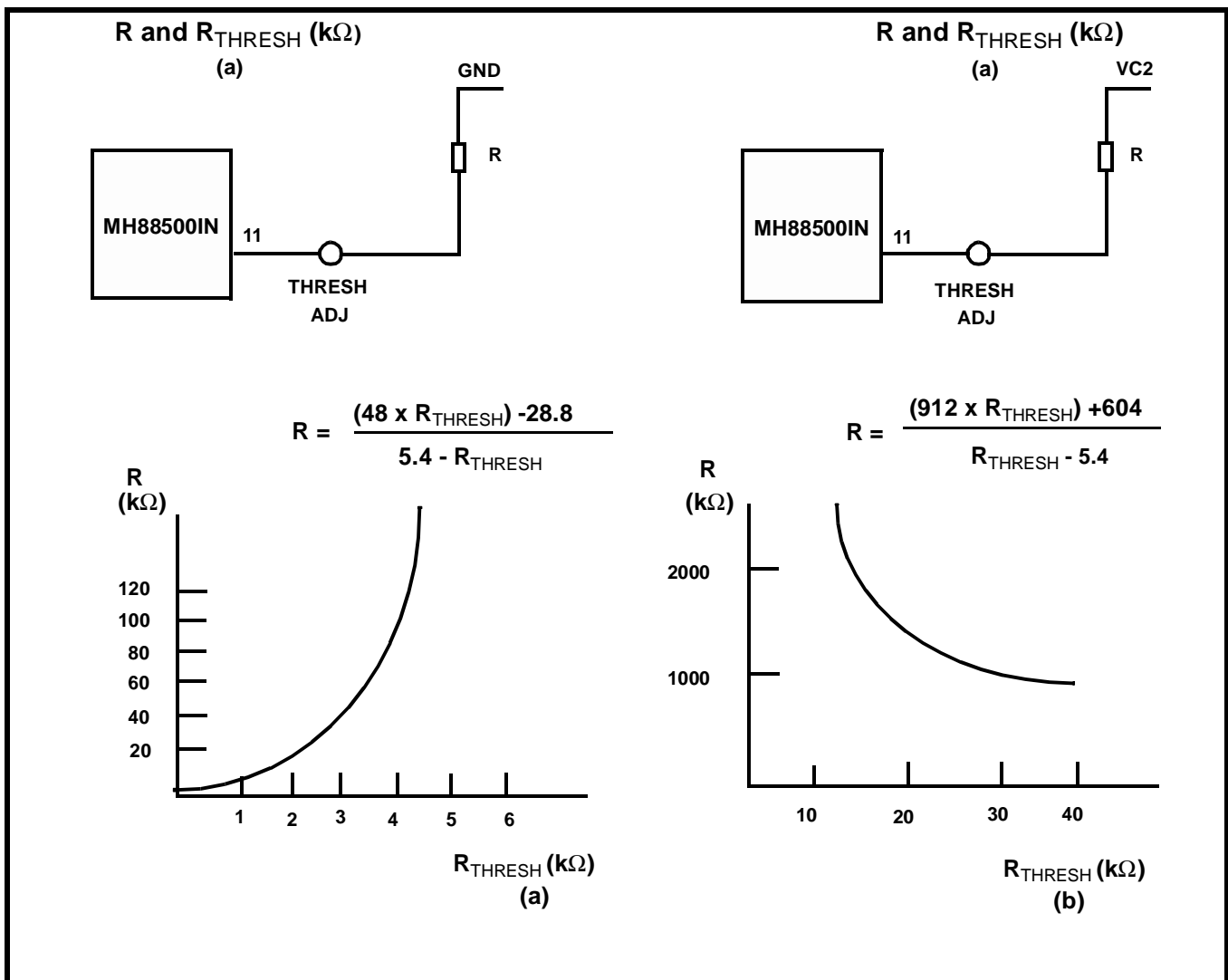


Figure 6 - Off-Hook Threshold Adjust

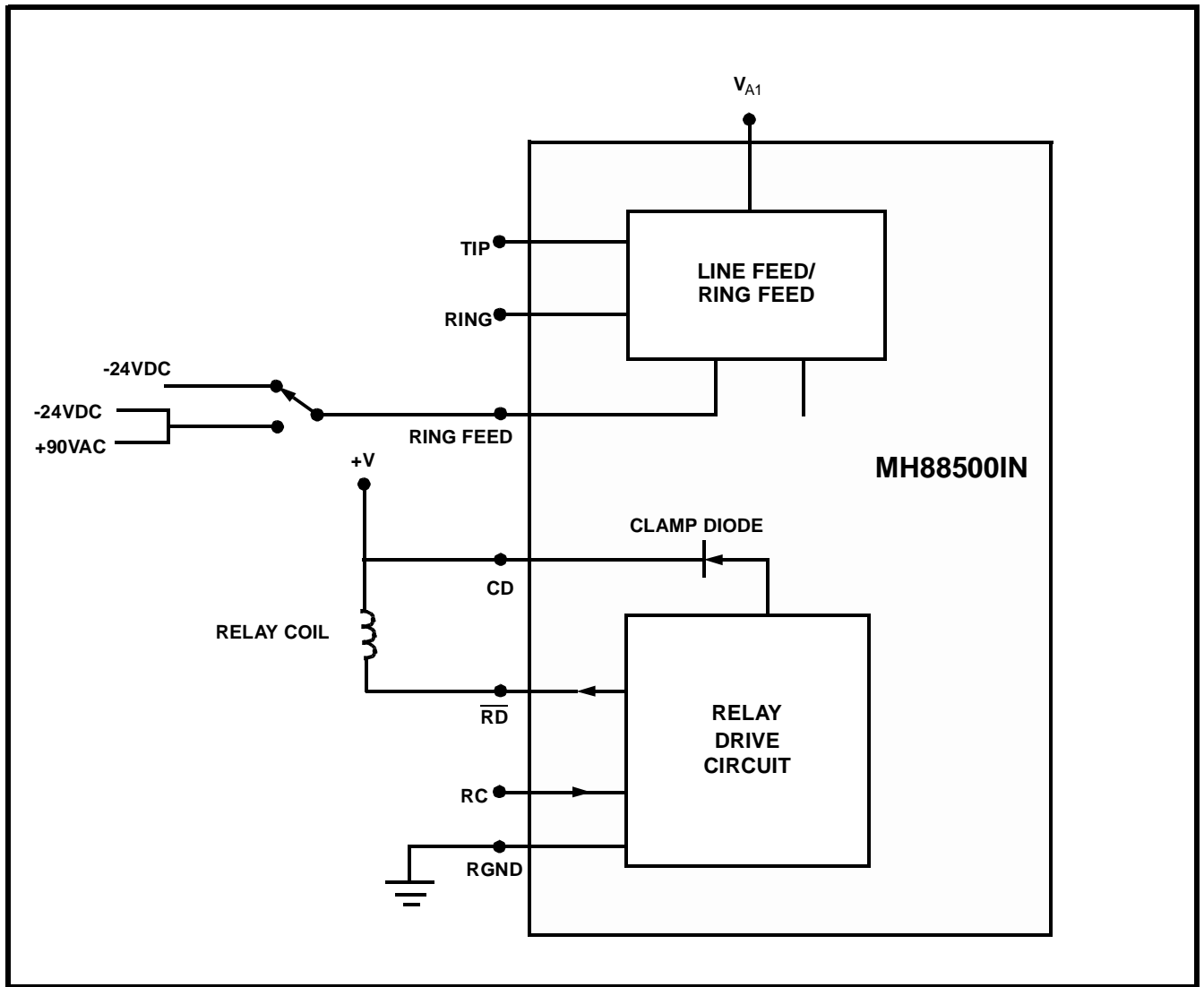


Figure 7 - Relay Drive Circuit

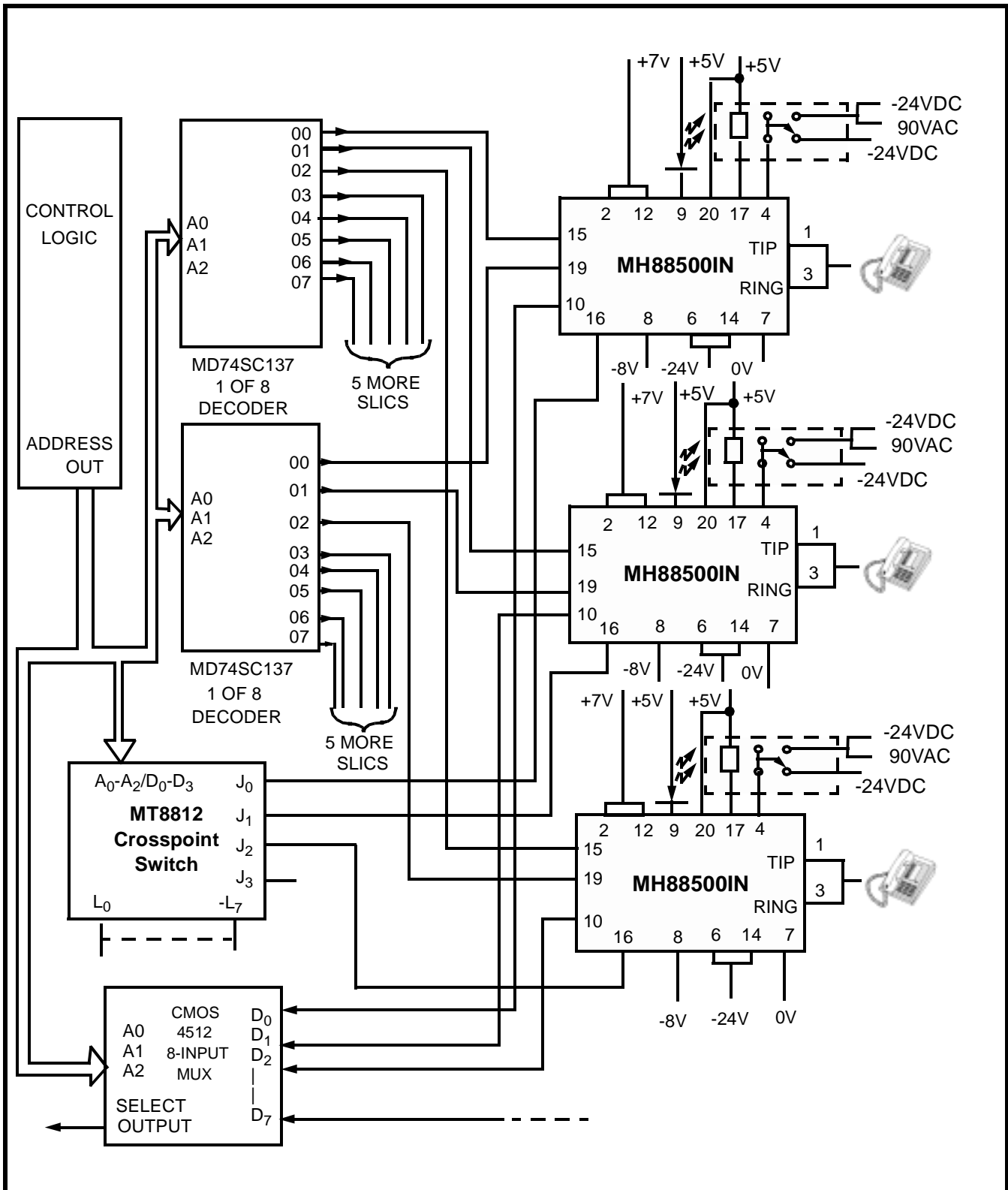


Figure 8 - PABX Typical Application

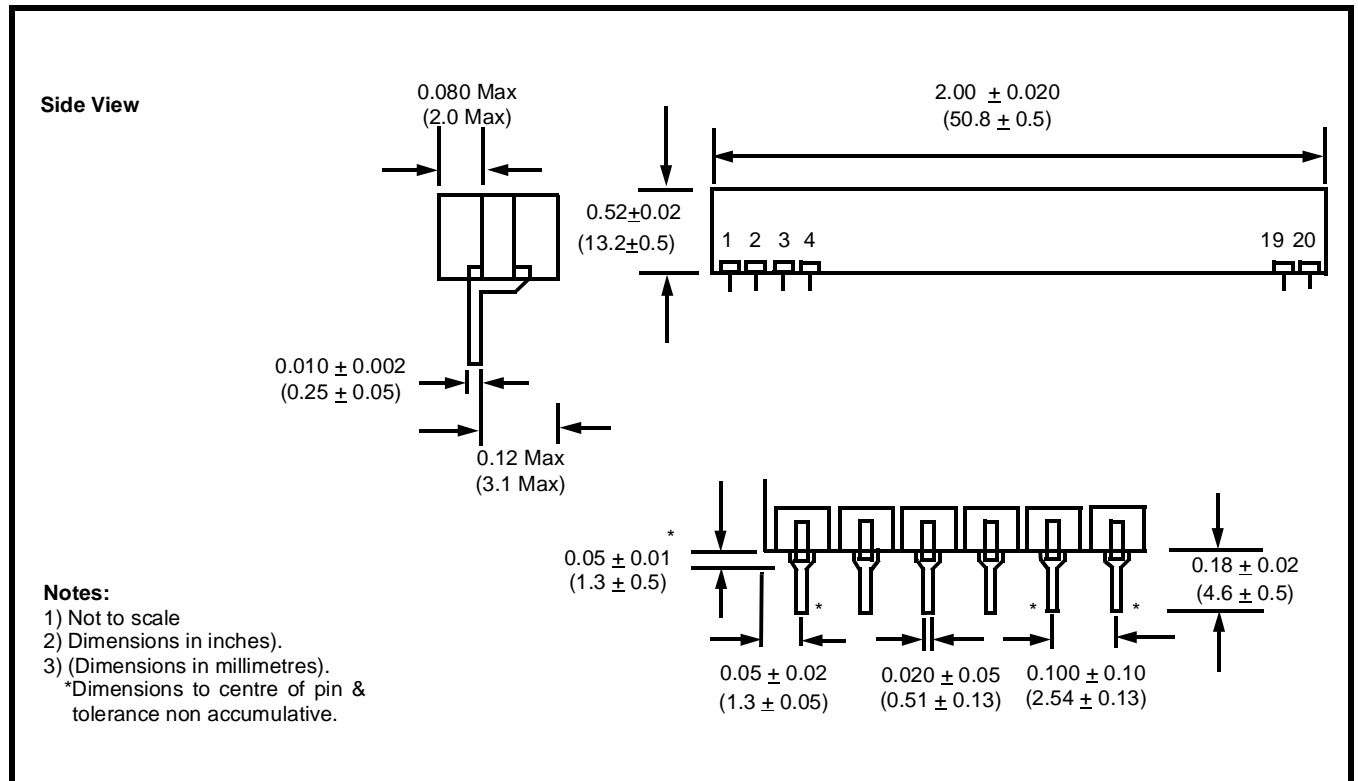


Figure 9 -Mechanical Data

Notes: