



**MULTI-INNO TECHNOLOGY CO., LTD.**

[www.multi-inno.com](http://www.multi-inno.com)

## LCD MODULE SPECIFICATION

**Model : MI0570ET-5**

**For Customer's Acceptance:**

Customer	
Approved	
Comment	

Revision	1.2
Engineering	
Date	2011-11-28
Our Reference	



# CONTENTS

- GENERAL INFORMATION
- EXTERNAL DIMENSIONS
- ABSOLUTE MAXIMUM RATINGS
- ELECTRICAL CHARACTERISTICS
- BACKLIGHT CHARACTERISTICS
- ELECTRO-OPTICAL CHARACTERISTICS
- INTERFACE DESCRIPTION
- BLOCK DIAGRAM
- APPLICATION NOTES
- RELIABILITY TEST
- INSPECTION CRITERION
- PRECAUTIONS FOR USING LCD MODULES
- PRIOR CONSULT MATTER

**■ GENERAL INFORMATION**

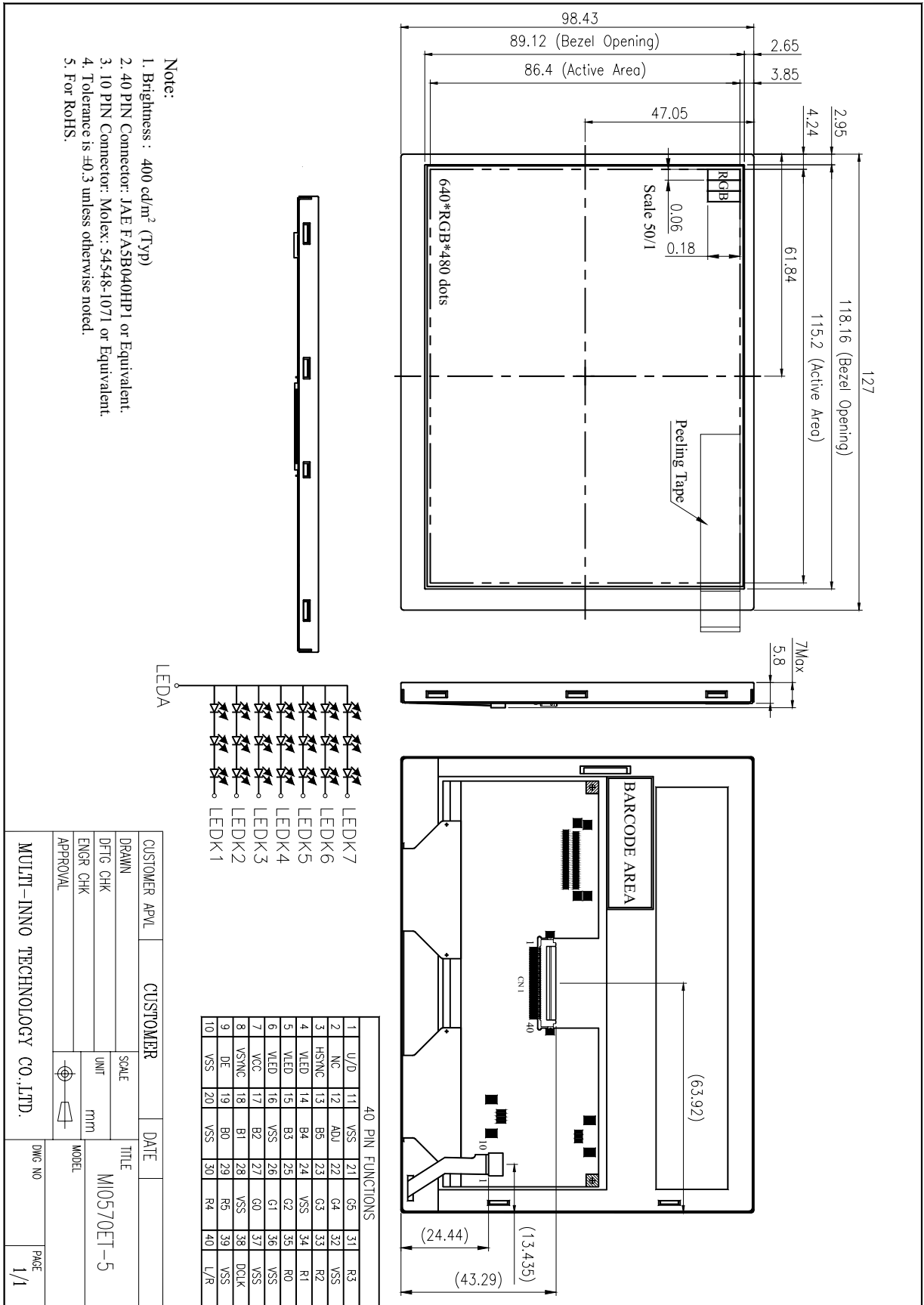
Item	Contents	Unit
LCD type	TFT	/
Size	5.7	Inch
Viewingdirection	6:00	O' Clock
Gray scale inversion direction	12:00	O'Clock
LCM (W × H × D )	127.00×98.43 ×7.00	mm <sup>3</sup>
Active area (W×H)	115.20×86.40	mm <sup>2</sup>
Dot pitch (W×H)	0.06×0.18	mm <sup>2</sup>
Number of dots	640 (RGB) × 480	/
Backlight type	21 LEDs	/
Driver IC	Gate:HX8628A Source:HX8250-A	/
Interface type	RGB 18 bits	/
Color depth	262K	/
Color configuration	R.G.B stripe	/
Surface treatment	Clear	/
Input voltage	3.3	V
With/Without TSP	Without TSP	/
Weight	110	g

Note 1:Viewing direction for best image quality is different from TFT definition, there is a 180 degree shift.

Note 2 : RoHS compliant;

Note 3: LCM weight tolerance: ± 5% .

EXTERNAL DIMENSIONS



**■ABSOLUTE MAXIMUM RATINGS**

Parameter	Symbol	Min	Max	Unit
Power supply voltage	VCC	-0.3	5.0	V
Logic input voltage	VI	-0.3	VCC+0.3	V
Operating temperature	T <sub>OP</sub>	-20	70	°C
Storage temperature	T <sub>ST</sub>	-30	80	°C
Humidity	RH	-	90%(Max60°C)	RH

**■ELECTRICAL CHARACTERISTICS**

## DC CHARACTERISTICS

Parameter	Symbol	Min	Typ	Max	Unit
Power supply voltage for LCD	VCC	3.0	3.3	3.6	V
Power supply current for LCD	ICC	-	111	140	mA
Power supply voltage for LED	V <sub>LED</sub>	4.5	5	5.5	V
Power supply current for LCD	I <sub>LED</sub>	-	333	400	mA
Ripple voltage	V <sub>RF</sub>	-	-	100	mVp-p
Input voltage ' H ' level	V <sub>IH</sub>	0.7VCC	-	VCC	V
Input voltage ' L ' level	V <sub>IL</sub>	0	-	0.3VCC	V
ADJ frequency	-	19K	20K	21K	Hz
ADJ input voltage	V <sub>IH</sub>	3.0	-	3.3	V
	V <sub>IL</sub>	0	-	0.3	V
LED life time	-	-	50,000	-	Hr

Note 1: The "LED life time" is defined as the module brightness decrease to 50% original brightness that the ambient temperature is 25°C and ADJ = 3.3V.

**■ELECTRO-OPTICAL CHARACTERISTICS**

Item	Symbol	Condition	Min	Typ	Max	Unit	Remark	Note	
Response time	Tr+Tf	θ=0° ∅=0° Ta=25°C	-	50	-	ms	FIG 1.	4	
Contrast ratio	Cr		200	300	-	---	FIG 2.	1	
Luminance uniformity	δ WHITE		70	80	-	%	FIG 2.	3	
Surface Luminance	Lv		360	400	-	cd/m <sup>2</sup>	FIG 2.	2	
Viewing angle range	θ	∅ = 90°	50	60	-	deg	FIG 3.	6	
		∅ = 270°	30	40	-	deg	FIG 3.		
		∅ = 0°	60	70	-	deg	FIG 3.		
		∅ = 180°	60	70	-	deg	FIG 3.		
CIE (x, y) chromaticity	Red	x	0.565	0.615	0.665	FIG 2.	5		
		y	0.310	0.360	0.410				
	Green	x	0.295	0.345	0.395				
		y	0.490	0.540	0.590				
	Blue	x	0.098	0.148	0.198				
		y	0.056	0.106	0.156				
	White	x	0.259	0.309	0.359				
		y	0.270	0.320	0.370				
Image sticking	-	tis	2 hours	-	-	2	Sec	-	8

Note 1. Contrast Ratio(CR) is defined mathematically as For more information see FIG 2.

$$\text{Contrast Ratio} = \frac{\text{Average Surface Luminance with all white pixels (P1, P2, P3, P4, P5)}}{\text{Average Surface Luminance with all black pixels (P1, P2, P3, P4, P5)}}$$

Note 2. Surface luminance is the LCD surface from the surface with all pixels displaying white. For more information see FIG 2.

$$L_v = \text{Average Surface Luminance with all white pixels (P1, P2, P3, P4, P5)}$$

Note 3. The uniformity in surface luminance , δ WHITE is determined by measuring luminance at each test position 1 through 5, and then dividing the maximum luminance of 5 points luminance by minimum luminance of 5 points luminance. For more information see FIG 2.

$$\delta \text{ WHITE} = \frac{\text{Minimum Surface Luminance with all white pixels (P1, P2, P3, P4, P5)}}{\text{Maximum Surface Luminance with all white pixels (P1, P2, P3, P4, P5)}}$$

Note 4. Response time is the time required for the display to transition from White to black(Rise Time, Tr) and from black to white(Decay Time, Tf). For additional information see FIG 1. The test equipment is Autronic-Melchers's ConoScope. Series.

Note 5. CIE (x, y) chromaticity, The x, y value is determined by measuring luminance at each test position 1 through 5, and then make average value.

Note 6. Viewing angle is the angle at which the contrast ratio is greater than 2. For TFT module the contrast ratio is greater than 10. The angles are determined for the horizontal or x axis and the vertical or y axis with respect to the z axis which is normal to the LCD surface. For more information see FIG 3.

Note 7. For viewing angle and response time testing, the testing data is base on Autronic-Melchers's ConoScope. Series Instruments For contrast ratio, Surface Luminance, Luminance uniformity, CIE The test data is base on TOPCON's BM-5 photo detector.

Note 8: Definition of Image sticking (tis):

Continuously display the test pattern shown in the figure below for 2 hours. Then display a completely white screen. The previous image shall not persist more than 2 sec at 25 °C

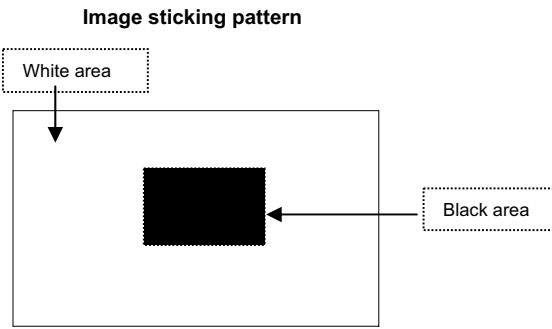


FIG. 1 The definition of Response Time

The response time is defined as the following figure and shall be measured by switching the input signal for “black” and “white”.

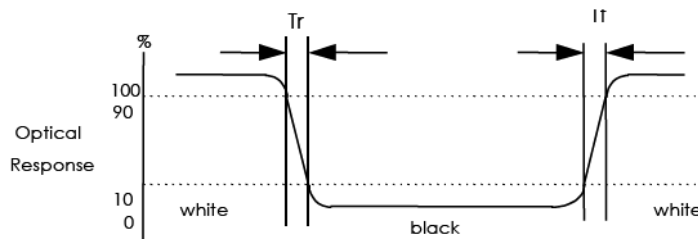


FIG. 2 Measuring method for Contrast ratio, surface luminance, Luminance uniformity , CIE (x, y) chromaticity

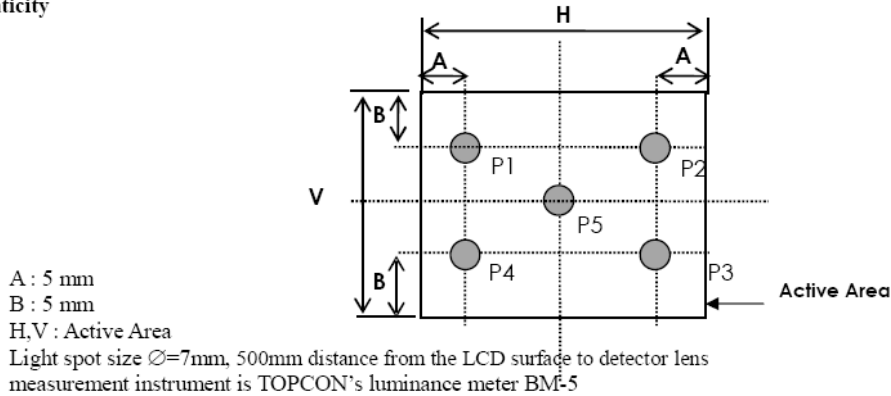
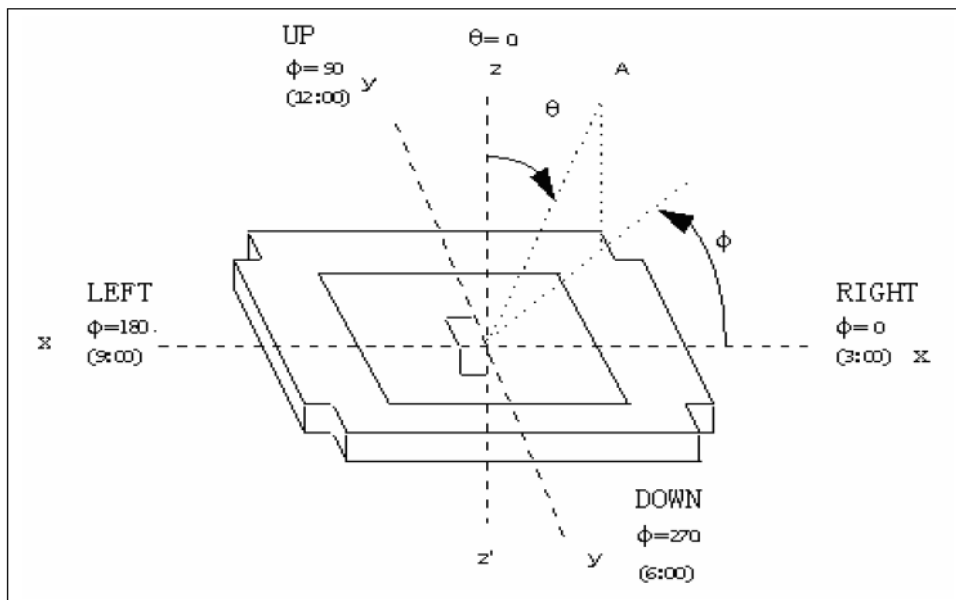


FIG. 3 The definition of viewing angle





**■ INTERFACE DESCRIPTION**

Pin NO.	SYMBOL	DESCRIPTION
1	U/D	Up or Down Display Control
2	NC	No Connection
3	Hsync	Horizontal SYNC.
4	VLED	Power Supply for LED Driver circuit
5	VLED	Power Supply for LED Driver circuit
6	VLED	Power Supply for LED Driver circuit
7	Vcc	Power Supply for LCD
8	Vsync	Vertical SYNC.
9	DE	Data Enable
10	VSS	Power Ground
11	VSS	Power Ground
12	ADJ	Brightness control for LED B/L
13	B5	Blue Data 5 (MSB)
14	B4	Blue Data 4
15	B3	Blue Data 3
16	Vss	Power Ground
17	B2	Blue Data 2
18	B1	Blue Data 1
19	B0	Blue Data 0 (LSB)
20	Vss	Power Ground
21	G5	Green Data 5 (MSB)
22	G4	Green Data 4
23	G3	Green Data 3
24	Vss	Power Ground
25	G2	Green Data 2
26	G1	Green Data 1
27	G0	Green Data 0 (LSB)
28	Vss	Power Ground
29	R5	Red Data 5 (MSB)
30	R4	Red Data 4
31	R3	Red Data 3
32	Vss	Power Ground
33	R2	Red Data 2
34	R1	Red Data 1
35	R0	Red Data 0
36	VSS	Power Ground
37	VSS	Power Ground
38	DCLK	Clock Signals ; Latch Data at the Falling Edge
39	Vss	Power Ground
40	L/R	Left or Right Display Control

Remarks :

- 1) ADJ is brightness control Pin. The larger of the pulse duty is, the higher of the brightness.
- 2) ADJ signal is 0~3.3V.Operation frequency is 20KHz
- 3) VSS PIN must be grounding, can not be floating.

4) U/D and L/R control Function

L/R	U/D	Function
1	0	Normally display
0	0	Left and Right opposite
1	1	Up and Down opposite
0	1	Left and Right opposite , Up and Down opposite

5)If DE signal is fixed low, SYNC mode is used. Otherwise, DE mode is used.

8.1 Power Signal Sequence

Remarks:

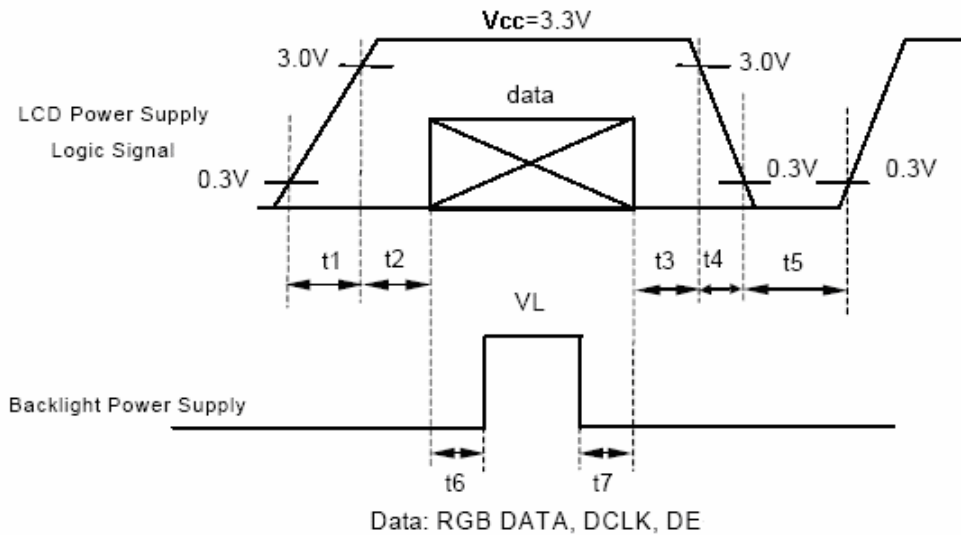
\*1) Power Signal sequence:

$t1 \leq 10ms$  :  $1 \text{ sec} \leq t5$

$50ms \leq t2$  :  $200ms \leq t6$

$0 < t3 \leq 50ms$ :  $200ms \leq t7$

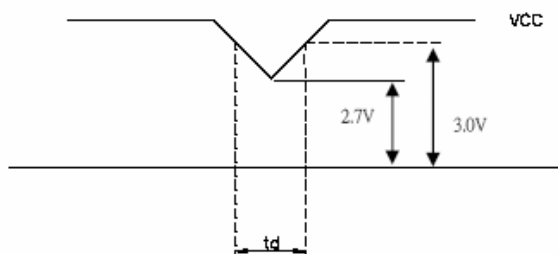
$0 < t4 \leq 10ms$



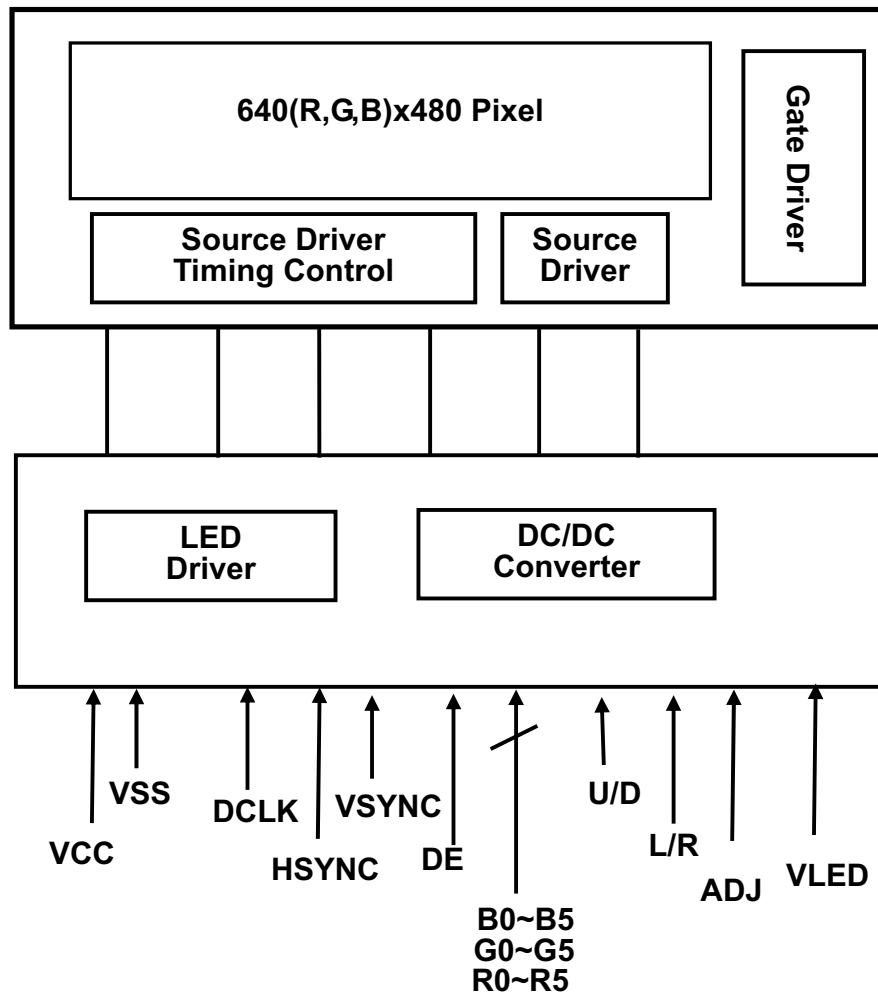
\*2) VCC-dip condition:

(1)  $2.7V \leq VCC < 3.0V, t_d \leq 10ms$

(2)  $VCC > 3.0V$ , VCC-dip condition should be the same with VCC-turn-on condition .



## ■ BLOCK DIAGRAM



## ■ APPLICATION NOTES

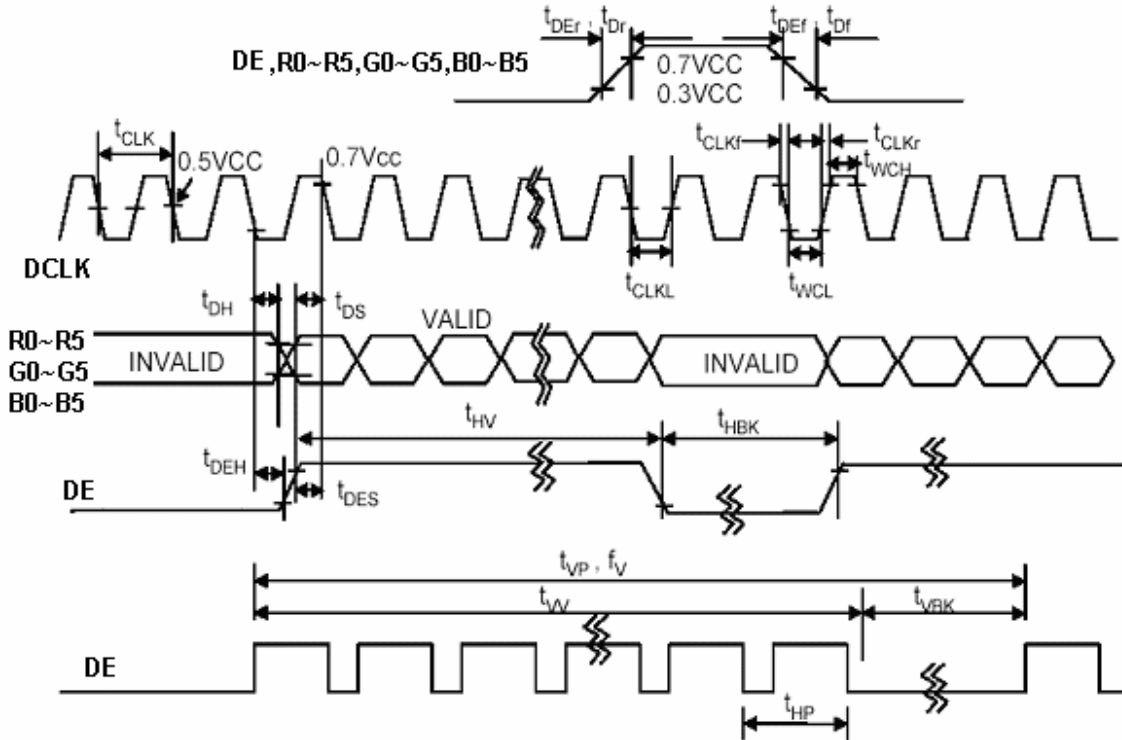
### 1. INTERFACE SPECIFICATIONS

#### 1.1 DE mode Input signal characteristics

Signal	Parameter	Symbol	MIN.	TYP.	MAX.	Unit	Remarks
DCLK	Period	$t_{CLK}$	33	40	43	ns	
	Frequency	$f_{CLK}$	23	25	30	MHz	
	Low Level Width	$t_{WCL}$	6	-	-	ns	
	High Level Width	$t_{WCH}$	6	-	-	ns	
	Rise, Fall Time	$t_{CLKr}, t_{CLKf}$	-	-	3	ns	
	Duty <sup>(1)</sup>	-	0.45	0.50	0.55	-	
DE (Data Enable)	Setup Time	$t_{DES}$	5	-	-	ns	
	Hold Time	$t_{DEH}$	10	-	-	ns	
	Rise, Fall Time	$t_{DEr}, t_{DEf}$	-	-	16	ns	
	Horizontal Period	$t_{HP}$	750	800	900	$t_{CLK}$	
	Horizontal Valid	$t_{HV}$	640	640	640	$t_{CLK}$	
	Horizontal Blank	$t_{HBK}$	110	160	260	$t_{CLK}$	
	Vertical Period	$t_{VP}$	515	525	560	$t_{HP}$	
	Vertical Valid	$t_{W}$	480	480	480	$t_{HP}$	
	Vertical Blank	$t_{VBK}$	35	45	80	$t_{HP}$	
	Vertical Frequency	$f_v$	55	60	65	Hz	
Data R,G,B	Setup Time	$t_{DS}$	5	-	-	ns	
	Hold Time	$t_{DH}$	10	-	-	ns	
	Rise, Fall Time	$t_{Dr}, t_{Df}$	-	-	3	ns	

Note: (1)  $t_{CLKL} / t_{CLK}$ .

1.1.1 DE mode timing waveform



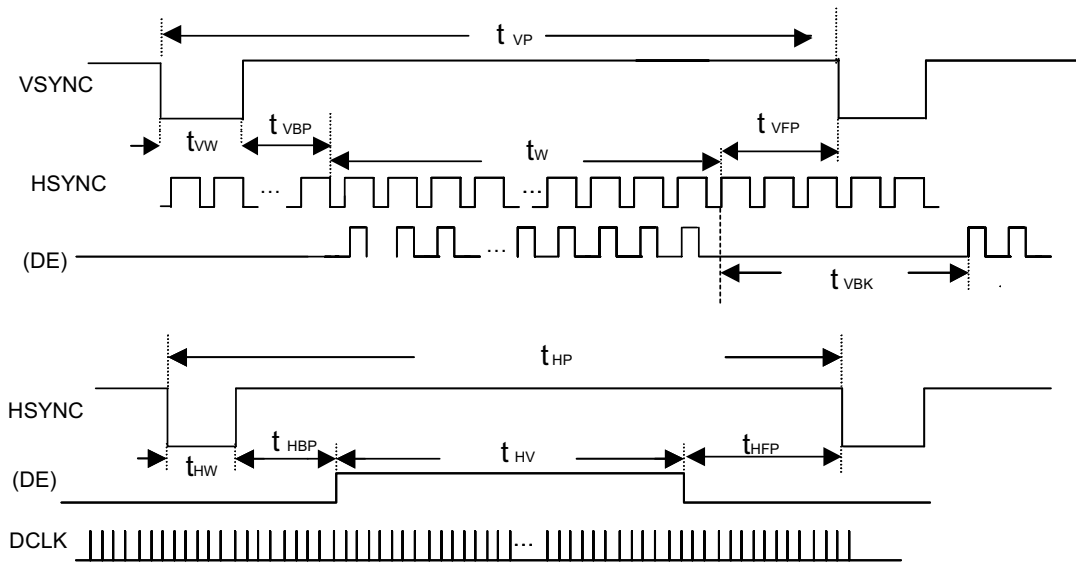
1.2 SYNC mode Input signal characteristics

Parameter	Symbol	MIN.	TYP.	MAX.	Unit	Remarks
Clock Period	$t_{CLK}$	33	40	43	ns	
Clock Frequency	$f_{CLK}$	23	25	30	MHz	
Clock Low Level Width	$t_{WCL}$	6	-	-	ns	
Clock High Level Width	$t_{WCH}$	6	-	-	ns	
Clock Rise, Fall Time	$t_{CLKr}, t_{CLKf}$	-	-	3	ns	
HSYNC Period	$t_{HP}$	750	800	900	$t_{CLK}$	
HSYNC Pulse Width	$t_{HW}$	5	30	-	$t_{CLK}$	
HSYNC Front Porch	$t_{HFP}$	1	16	116	$t_{CLK}$	
HSYNC Back Porch	$t_{HBP}$	1	114	139	$t_{CLK}$	
HSYNC Width + Back Porch	$t_{HW} + t_{HBP}$	144	144	144	$t_{CLK}$	
Horizontal Blank	$t_{HBK}$	1	160	260	$t_{CLK}$	
Horizontal Valid	$t_{HV}$	640	640	640	$t_{CLK}$	
VSYNC Period	$t_{VP}$	515	525	560	$t_{HP}$	
VSYNC Pulse Width	$t_{VW}$	1	3	5	$t_{HP}$	
VSYNC Front Porch	$t_{VFP}$	1	10	45	$t_{HP}$	
VSYNC Back Porch	$t_{VBP}$	30	32	34	$t_{HP}$	
VSYNC Width + Back Porch	$t_{VW} + t_{VBP}$	35	35	35	$t_{CLK}$	
Vertical Blank	$t_{VBK}$	35	45	80	$t_{HP}$	
Valid data Width	$t_{W}$	480	480	480	$t_{HP}$	
Data Setup Time	$t_{DS}$	5	-	-	ns	
Data Hold Time	$t_{DH}$	10	-	-	ns	

Note: (1)  $t_{HBK} = t_{HFP} + t_{HW} + t_{HBP}$

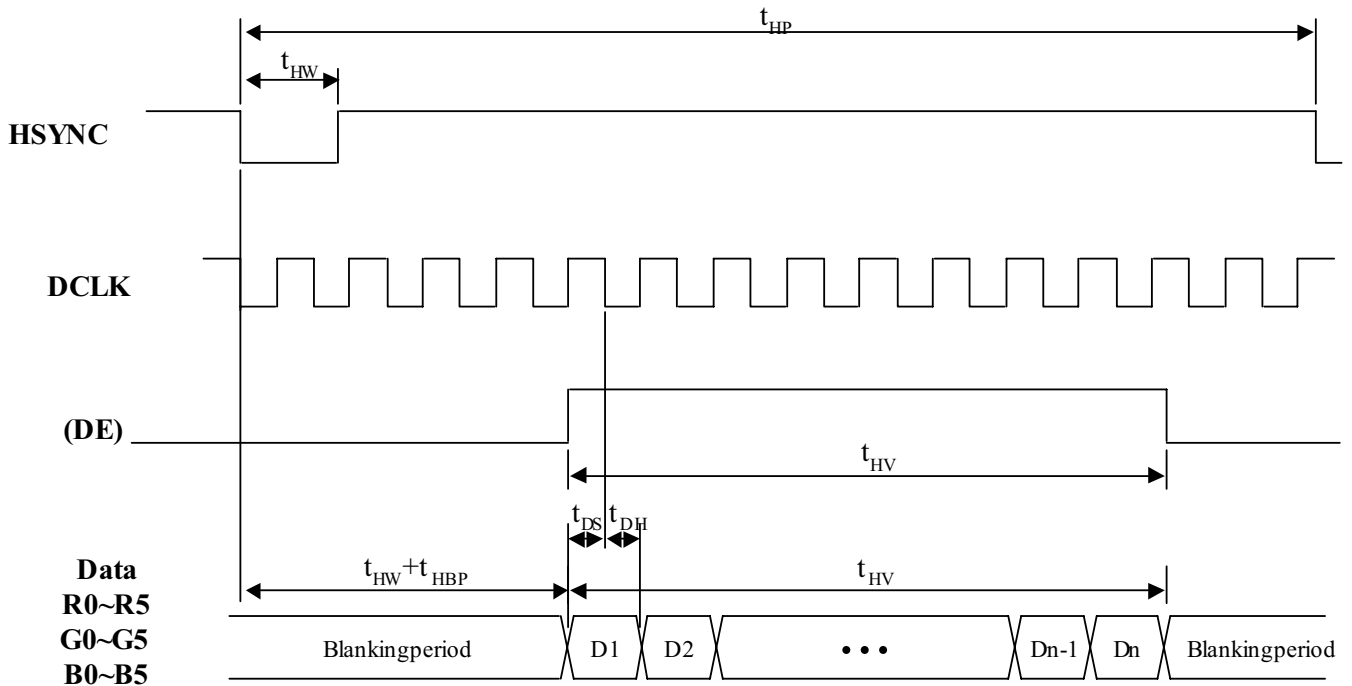
## 1.2.1 SYNC mode timing waveform

### 1.2.1.1 Input vertical timing



Remark : If SYNC mode is used, please fix DE signal to low, DE timing waveform is for reference only.

### 1.2.1.2 Input horizontal timing



Remark : If SYNC mode is used, please fix DE signal to low, DE timing waveform is for reference only.

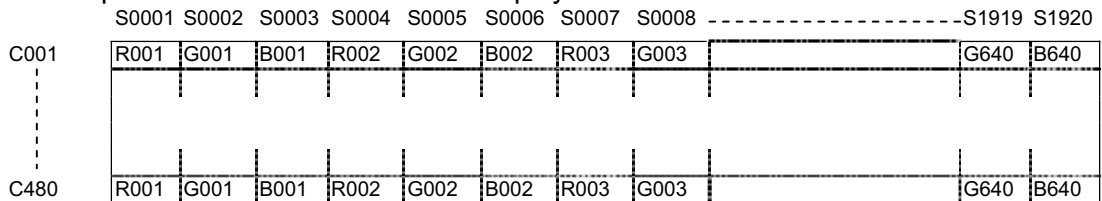


1.3 Color Data Assignment

COLOR	INPUT	R DATA						G DATA						B DATA					
		DATA	R5	R4	R3	R2	R1	R0	G5	G4	G3	G2	G1	G0	B5	B4	B3	B2	B1
		MSB					LSB	MSB					LSB	MSB					LSB
BASIC COLOR	BLACK	0	0	0	0	0	0	0	0	0	0	0	0	0	0	0	0	0	0
	RED(63)	1	1	1	1	1	1	0	0	0	0	0	0	0	0	0	0	0	0
	GREEN(63)	0	0	0	0	0	0	1	1	1	1	1	1	0	0	0	0	0	0
	BLUE(63)	0	0	0	0	0	0	0	0	0	0	0	0	1	1	1	1	1	1
	CYAN	0	0	0	0	0	0	1	1	1	1	1	1	1	1	1	1	1	1
	MAGENTA	1	1	1	1	1	1	0	0	0	0	0	0	1	1	1	1	1	1
	YELLOW	1	1	1	1	1	1	1	1	1	1	1	1	0	0	0	0	0	0
	WHITE	1	1	1	1	1	1	1	1	1	1	1	1	1	1	1	1	1	1
RED	RED(0)	0	0	0	0	0	0	0	0	0	0	0	0	0	0	0	0	0	0
	RED(1)	0	0	0	0	0	1	0	0	0	0	0	0	0	0	0	0	0	0
	RED(2)	0	0	0	0	1	0	0	0	0	0	0	0	0	0	0	0	0	0
	:	:	:	:	:	:	:	:	:	:	:	:	:	:	:	:	:	:	:
	:	:	:	:	:	:	:	:	:	:	:	:	:	:	:	:	:	:	:
	RED(62)	1	1	1	1	1	0	0	0	0	0	0	0	0	0	0	0	0	0
	RED(63)	1	1	1	1	1	1	0	0	0	0	0	0	0	0	0	0	0	0
GREEN	GREEN(0)	0	0	0	0	0	0	0	0	0	0	0	0	0	0	0	0	0	0
	GREEN(1)	0	0	0	0	0	0	0	0	0	0	0	1	0	0	0	0	0	0
	GREEN(2)	0	0	0	0	0	0	0	0	0	0	1	0	0	0	0	0	0	0
	:	:	:	:	:	:	:	:	:	:	:	:	:	:	:	:	:	:	:
	:	:	:	:	:	:	:	:	:	:	:	:	:	:	:	:	:	:	:
	GREEN(62)	0	0	0	0	0	0	1	1	1	1	1	0	0	0	0	0	0	0
	GREEN(63)	0	0	0	0	0	0	1	1	1	1	1	1	0	0	0	0	0	0
BLUE	BLUE(0)	0	0	0	0	0	0	0	0	0	0	0	0	0	0	0	0	0	0
	BLUE(1)	0	0	0	0	0	0	0	0	0	0	0	0	0	0	0	0	0	1
	BLUE(2)	0	0	0	0	0	0	0	0	0	0	0	0	0	0	0	0	1	0
	:	:	:	:	:	:	:	:	:	:	:	:	:	:	:	:	:	:	:
	:	:	:	:	:	:	:	:	:	:	:	:	:	:	:	:	:	:	:
	BLUE(62)	0	0	0	0	0	0	0	0	0	0	0	0	1	1	1	1	1	0
	BLUE(63)	0	0	0	0	0	0	0	0	0	0	0	0	1	1	1	1	1	1

Remarks:(1) Definition of Gray Scale  
 color(n):n is series of Gray Scale  
 The more n value is, the bright Gray Scale.  
 (2)Data:1-High,0-Low

Correspondence between Data and Display Position


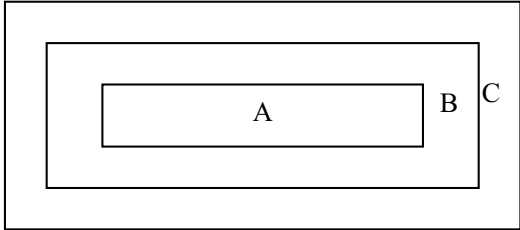



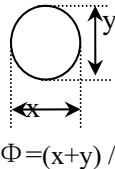
**■ RELIABILITY TEST**

No.	Test Item	Test Condition
1	High Temperature Storage	$80 \pm 2^{\circ}\text{C}/240$ hours
2	Low Temperature Storage	$-30 \pm 2^{\circ}\text{C}/240$ hours
3	High Temperature Operating	$70 \pm 2^{\circ}\text{C}/240$ hours
4	Low Temperature Operating	$-20 \pm 2^{\circ}\text{C}/240$ hours
5	Temperature Cycle storage	$-30 \pm 2^{\circ}\text{C} \sim 25 \sim 80 \pm 2^{\circ}\text{C} \times 200$ cycles (30min.) (5min.) (30min.)
6	Damp proof Test operating	$60^{\circ}\text{C} \pm 5^{\circ}\text{C} \times 90\% \text{RH}/240$ hours
7	Vibration Test (no-operation)	Frequency: 0~55Hz Amplitude: 1.5mm Sweep time: 11min 6 cycles for each direction of X.Y.Z
8	ESD test (No operation)	150pF, 330Ω Air: $\pm 12\text{KV}$ ; Contact: $\pm 6\text{KV}$ 10 time/point; 4 point/panel face



**■ INSPECTION CRITERION**


 <p style="text-align: center;">OUTGOING QUALITY STANDARD</p>	<p style="text-align: center;">PAGE 1 OF 6</p>						
<p>TITLE:FUNCTIONAL TEST &amp; INSPECTION CRITERIA</p>							
<p>This specification is made to be used as the standard acceptance/rejection criteria for Wider Screen TFT-LCD module product.</p> <p><b>1. Sample plan</b></p> <p>Sampling plan according to GB/T2828.1-2003/ISO 2859-1 : 1999 and ANSI/ASQC Z1.4-1993, normal level 2 and based on:</p> <p style="padding-left: 40px;">Major defect: AQL 0.65</p> <p style="padding-left: 40px;">Minor defect: AQL 1.5</p> <p><b>2. Inspection condition</b></p> <p>Viewing distance for cosmetic inspection is about 30cm with bare eyes, and under an environment of 20~40W light intensity, all directions for inspecting the sample should be within 45° against perpendicular line.</p> <p><b>3. Definition of Inspection Item.</b></p> <p>3.1 Definition of inspection zone in LCD.</p> <div style="text-align: center; margin: 20px 0;">  </div> <p>Zone A: character/Digit area          Zone B: viewing area except Zone A (ZoneA+ZoneB=minimum Viewing area)          Zone C: Outside viewing area (invisible area after assembly in customer’s product)          ZoneB+ZoneC= Around opaque <u>edge</u> area on TP.</p> <p>Fig.1 Inspection zones in an LCD.</p> <p>Note: As a general rule, visual defects in Zone C are permissible, when it is no trouble for quality and assembly of customer’s product.</p> <p><b>3.2 Definition of some visual defect</b></p> <table border="1" data-bbox="236 1816 1385 2098"> <tr> <td data-bbox="236 1816 459 1912">Bright dot.</td> <td data-bbox="459 1816 1385 1912">Dots appear bright and unchanged in size in which LCD panel is displaying under black pattern.</td> </tr> <tr> <td data-bbox="236 1912 459 1995">Dark dot.</td> <td data-bbox="459 1912 1385 1995">Dots appear dark and unchanged in size in which LCD panel is displaying under pure red, green, blue picture, or pure whiter picture.</td> </tr> <tr> <td data-bbox="236 1995 459 2098">Dark / Bright Lines.</td> <td data-bbox="459 1995 1385 2098">Lines on display which appear dark/bright and usually result from the contamination.</td> </tr> </table>		Bright dot.	Dots appear bright and unchanged in size in which LCD panel is displaying under black pattern.	Dark dot.	Dots appear dark and unchanged in size in which LCD panel is displaying under pure red, green, blue picture, or pure whiter picture.	Dark / Bright Lines.	Lines on display which appear dark/bright and usually result from the contamination.
Bright dot.	Dots appear bright and unchanged in size in which LCD panel is displaying under black pattern.						
Dark dot.	Dots appear dark and unchanged in size in which LCD panel is displaying under pure red, green, blue picture, or pure whiter picture.						
Dark / Bright Lines.	Lines on display which appear dark/bright and usually result from the contamination.						

 OUTGOING QUALITY STANDARD		PAGE 2 OF 6																				
TITLE:FUNCTIONAL TEST & INSPECTION CRITERIA																						
<b>4. Major Defect</b>																						
Item No	Items to be inspected	Inspection Standard			Classification of defects																	
4.1	All functional defects	1) No display 2) Display abnormally 3) Open or missing segment 4) Short circuit 5) Excess power consumption 6) Back-light no lighting, flickering and abnormal lighting.			Major																	
4.2	Missing	Missing component																				
4.3	Outline dimension	Overall outline dimension beyond the drawing is not allowed.																				
4.4	Crack	Creaks tend to break are not allowed.																				
<b>5. Minor Defect</b>																						
Item No	Items to be inspected	Inspection Standard			Classification of defects																	
5.1	Bright dot defect.  $\Phi = (x+y) / 2$	<table border="1"> <thead> <tr> <th rowspan="2">Zone Size(mm)</th> <th colspan="3">Acceptable Qty</th> </tr> <tr> <th>A</th> <th>B</th> <th>C</th> </tr> </thead> <tbody> <tr> <td><math>\Phi \leq 0.15</math></td> <td colspan="2">Acceptable (clustering of spot not allowed)</td> <td rowspan="3">Acceptable</td> </tr> <tr> <td><math>0.15 &lt; \Phi \leq 0.25</math></td> <td colspan="2">N ≤ 6.</td> </tr> <tr> <td><math>0.25 &lt; \Phi \leq 0.50</math></td> <td colspan="2">N ≤ 2</td> </tr> </tbody> </table>			Zone Size(mm)	Acceptable Qty			A	B	C	$\Phi \leq 0.15$	Acceptable (clustering of spot not allowed)		Acceptable	$0.15 < \Phi \leq 0.25$	N ≤ 6.		$0.25 < \Phi \leq 0.50$	N ≤ 2		Minor
		Zone Size(mm)	Acceptable Qty																			
			A	B	C																	
		$\Phi \leq 0.15$	Acceptable (clustering of spot not allowed)		Acceptable																	
$0.15 < \Phi \leq 0.25$	N ≤ 6.																					
$0.25 < \Phi \leq 0.50$	N ≤ 2																					
5.2	Dark dot defect.	<table border="1"> <thead> <tr> <th rowspan="2">Zone Size(mm)</th> <th colspan="3">Acceptable Q'ty</th> </tr> <tr> <th>A</th> <th>B</th> <th>C</th> </tr> </thead> <tbody> <tr> <td><math>\Phi \leq 0.15</math></td> <td colspan="2">Acceptable</td> <td rowspan="3">Acceptable</td> </tr> <tr> <td><math>0.15 &lt; \Phi \leq 0.30</math></td> <td colspan="2">N ≤ 6</td> </tr> <tr> <td><math>0.30 &lt; \Phi \leq 0.50</math></td> <td colspan="2">N ≤ 4</td> </tr> </tbody> </table>			Zone Size(mm)	Acceptable Q'ty			A	B	C	$\Phi \leq 0.15$	Acceptable		Acceptable	$0.15 < \Phi \leq 0.30$	N ≤ 6		$0.30 < \Phi \leq 0.50$	N ≤ 4		
		Zone Size(mm)	Acceptable Q'ty																			
			A	B	C																	
$\Phi \leq 0.15$	Acceptable		Acceptable																			
$0.15 < \Phi \leq 0.30$	N ≤ 6																					
$0.30 < \Phi \leq 0.50$	N ≤ 4																					
5.3	Bright / Dark line.	$0.01 < W \leq 0.10, \quad 0.30 < L \leq 1.50,$ $N \leq 1$		Acceptable																		
Note: 1. Total defective dots shall not exceed 6 pcs. 2. Minimum distance between defective dots is more than 5mm. 3. 2 Adjacent dark sub pixel defect or bright sub pixel defect is not more than 1pair. 4. W: Width, L: Length, N: Count.																						


	<b>OUTGOING QUALITY STANDARD</b>	PAGE 3 OF 6
TITLE:FUNCTIONAL TEST & INSPECTION CRITERIA		

Item No	Items to be inspected	Inspection Standard	Classification of defects																										
5.4	Linear defect Foreign material under polarizer,	<table border="1" style="width:100%; border-collapse: collapse;"> <thead> <tr> <th colspan="2" style="text-align: center;">Size( m)</th> <th colspan="3" style="text-align: center;">Acceptable Qty</th> </tr> <tr> <th rowspan="2" style="text-align: center;">L(Length)</th> <th rowspan="2" style="text-align: center;">W(Width)</th> <th colspan="3" style="text-align: center;">Zone</th> </tr> <tr> <th style="text-align: center;">A</th> <th style="text-align: center;">B</th> <th style="text-align: center;">C</th> </tr> </thead> <tbody> <tr> <td style="text-align: center;">Ignore</td> <td style="text-align: center;"><math>W \leq 0.05</math></td> <td colspan="2" style="text-align: center;">Acceptable</td> <td rowspan="3" style="text-align: center; vertical-align: middle;">Acceptable</td> </tr> <tr> <td style="text-align: center;"><math>L \leq 5.0</math></td> <td style="text-align: center;"><math>0.05 &lt; W \leq 0.15</math></td> <td colspan="2" style="text-align: center;"><math>N \leq 5</math></td> </tr> <tr> <td style="text-align: center;"><math>5.0 \leq L</math></td> <td style="text-align: center;"><math>0.15 \leq W</math></td> <td colspan="2" style="text-align: center;">0</td> </tr> </tbody> </table>	Size( m)		Acceptable Qty			L(Length)	W(Width)	Zone			A	B	C	Ignore	$W \leq 0.05$	Acceptable		Acceptable	$L \leq 5.0$	$0.05 < W \leq 0.15$	$N \leq 5$		$5.0 \leq L$	$0.15 \leq W$	0		Minor
	Size( m)		Acceptable Qty																										
L(Length)	W(Width)	Zone																											
		A	B	C																									
Ignore	$W \leq 0.05$	Acceptable		Acceptable																									
$L \leq 5.0$	$0.05 < W \leq 0.15$	$N \leq 5$																											
$5.0 \leq L$	$0.15 \leq W$	0																											
5.4	Circular Defect, Foreign material under polarizer, <div style="text-align: center; margin-top: 10px;"> <p><math>\Phi = (x+y) / 2</math></p> </div>	<table border="1" style="width:100%; border-collapse: collapse;"> <thead> <tr> <th rowspan="2" style="text-align: center;">Zone Size(mm)</th> <th colspan="3" style="text-align: center;">Acceptable Q'ty</th> </tr> <tr> <th style="text-align: center;">A</th> <th style="text-align: center;">B</th> <th style="text-align: center;">C</th> </tr> </thead> <tbody> <tr> <td style="text-align: center;"><math>\Phi \leq 0.25</math></td> <td colspan="2" style="text-align: center;">Acceptable</td> <td rowspan="3" style="text-align: center; vertical-align: middle;">Acceptable</td> </tr> <tr> <td style="text-align: center;"><math>0.25 &lt; \Phi \leq 0.50</math></td> <td colspan="2" style="text-align: center;"><math>N \leq 4</math></td> </tr> <tr> <td style="text-align: center;"><math>0.50 \leq \Phi</math></td> <td colspan="2" style="text-align: center;">0</td> </tr> </tbody> </table>	Zone Size(mm)	Acceptable Q'ty			A	B	C	$\Phi \leq 0.25$	Acceptable		Acceptable	$0.25 < \Phi \leq 0.50$	$N \leq 4$		$0.50 \leq \Phi$	0		Minor									
	Zone Size(mm)	Acceptable Q'ty																											
A		B	C																										
$\Phi \leq 0.25$	Acceptable		Acceptable																										
$0.25 < \Phi \leq 0.50$	$N \leq 4$																												
$0.50 \leq \Phi$	0																												
5.5	Polarizer defect.	<p>5.4.1 Polarizer Position</p> <p>(i) Shifting in position should not exceed the glass outline dimension.</p> <p>(ii) Incomplete covering of the viewing area due to shifting is not allowed.</p> <p>5.4.2 Dirt on polarizer</p> <p>Dirt which can be wiped easily should be accepted.</p> <p>5.4.3 Polarizer Nick &amp; Dent</p> <table border="1" style="width:100%; border-collapse: collapse; margin-top: 10px;"> <thead> <tr> <th rowspan="3" style="text-align: center;">Sizes(mm)</th> <th colspan="3" style="text-align: center;">Acceptable Qty</th> </tr> <tr> <th colspan="3" style="text-align: center;">Zone</th> </tr> <tr> <th style="text-align: center;">A</th> <th style="text-align: center;">B</th> <th style="text-align: center;">C</th> </tr> </thead> <tbody> <tr> <td style="text-align: center;"><math>\Phi &lt; 0.25</math></td> <td colspan="2" style="text-align: center;">Acceptable</td> <td rowspan="3" style="text-align: center; vertical-align: middle;">Acceptable</td> </tr> <tr> <td style="text-align: center;"><math>0.25 \leq \Phi \leq 0.5</math></td> <td colspan="2" style="text-align: center;"><math>N \leq 4</math></td> </tr> <tr> <td style="text-align: center;"><math>\Phi &gt; 0.5</math></td> <td colspan="2" style="text-align: center;">0</td> </tr> </tbody> </table>	Sizes(mm)	Acceptable Qty			Zone			A	B	C	$\Phi < 0.25$	Acceptable		Acceptable	$0.25 \leq \Phi \leq 0.5$	$N \leq 4$		$\Phi > 0.5$	0		Minor						
Sizes(mm)	Acceptable Qty																												
	Zone																												
	A	B	C																										
$\Phi < 0.25$	Acceptable		Acceptable																										
$0.25 \leq \Phi \leq 0.5$	$N \leq 4$																												
$\Phi > 0.5$	0																												



 OUTGOING QUALITY STANDARD		PAGE 4 OF 6																															
TITLE:FUNCTIONAL TEST & INSPECTION CRITERIA																																	
5. Minor Defect																																	
Item No	Items to be inspected	Inspection Standard			Classification of defects																												
5.6	Polarizer defect	5.4.4 Air bubbles between glass & polarizer: <table border="1" data-bbox="472 618 1169 954" style="margin-left: 40px;"> <thead> <tr> <th rowspan="3">Size(mm)</th> <th colspan="3">Acceptable Qty</th> </tr> <tr> <th colspan="3">Zone</th> </tr> <tr> <th>A</th> <th>B</th> <th>C</th> </tr> </thead> <tbody> <tr> <td><math>\Phi \leq 0.3</math></td> <td colspan="3">Acceptable</td> </tr> <tr> <td><math>0.3 &lt; \Phi \leq 1.0</math></td> <td colspan="3">3</td> </tr> <tr> <td><math>1.0 &lt; \Phi \leq 1.5</math></td> <td colspan="3">1</td> </tr> <tr> <td><math>\Phi &gt; 1.5</math></td> <td colspan="3">0</td> </tr> </tbody> </table>			Size(mm)	Acceptable Qty			Zone			A	B	C	$\Phi \leq 0.3$	Acceptable			$0.3 < \Phi \leq 1.0$	3			$1.0 < \Phi \leq 1.5$	1			$\Phi > 1.5$	0			Minor		
		Size(mm)	Acceptable Qty																														
Zone																																	
A	B		C																														
$\Phi \leq 0.3$	Acceptable																																
$0.3 < \Phi \leq 1.0$	3																																
$1.0 < \Phi \leq 1.5$	1																																
$\Phi > 1.5$	0																																
		5.4.5 Polarizer scratch <p>(i) If the Polarizer scratch can be seen after cover assembling or in the operating condition, judge by the line defect of 5.4.</p> <p>(ii) If the Polarizer scratch can be seen only in non-operating condition or some special angle, judge by the following.</p> <table border="1" data-bbox="432 1330 1145 1682" style="margin-left: 40px;"> <thead> <tr> <th colspan="2">Size(mm)</th> <th colspan="3">Acceptable Qty</th> </tr> <tr> <th rowspan="2">L(Length)</th> <th rowspan="2">W(Width)</th> <th colspan="3">Zone</th> </tr> <tr> <th>A</th> <th>B</th> <th>C</th> </tr> </thead> <tbody> <tr> <td>Ignore</td> <td><math>W \leq 0.02</math></td> <td colspan="3">Ignore</td> </tr> <tr> <td><math>1.0 &lt; L \leq 5.0</math></td> <td><math>0.02 &lt; W \leq 0.2</math></td> <td colspan="3">N<math>\leq</math>4.</td> </tr> <tr> <td><math>5.0 &lt; L</math></td> <td><math>0.2 &lt; W</math></td> <td colspan="3">0</td> </tr> </tbody> </table>			Size(mm)		Acceptable Qty			L(Length)	W(Width)	Zone			A	B	C	Ignore	$W \leq 0.02$	Ignore			$1.0 < L \leq 5.0$	$0.02 < W \leq 0.2$	N $\leq$ 4.			$5.0 < L$	$0.2 < W$	0			Minor
Size(mm)		Acceptable Qty																															
L(Length)	W(Width)	Zone																															
		A	B	C																													
Ignore	$W \leq 0.02$	Ignore																															
$1.0 < L \leq 5.0$	$0.02 < W \leq 0.2$	N $\leq$ 4.																															
$5.0 < L$	$0.2 < W$	0																															

OUTGOING QUALITY STANDARD		PAGE 5 OF 6									
TITLE:FUNCTIONAL TEST & INSPECTION CRITERIA											
5. Minor Defect											
5.7	Glass defect	(i) Crack Cracks are not allowed.	Minor								
		(ii) TFT chips on corner	Minor								
		<table border="1"> <thead> <tr> <th>X</th> <th>Y</th> <th>Z</th> <th>Acceptable</th> </tr> </thead> <tbody> <tr> <td><math>\leq 3.0</math></td> <td><math>\leq 3.0</math></td> <td>Not more than the thickness of glass.</td> <td><math>N \leq 3.</math></td> </tr> </tbody> </table>	X	Y	Z	Acceptable	$\leq 3.0$	$\leq 3.0$	Not more than the thickness of glass.	$N \leq 3.$	
X	Y	Z	Acceptable								
$\leq 3.0$	$\leq 3.0$	Not more than the thickness of glass.	$N \leq 3.$								
		Chips on the corner of terminal shall not be allowed to extend into the ITO pad or expose perimeter seal.									
		(iii) Usual surface cracks	Minor								
		<table border="1"> <thead> <tr> <th>X</th> <th>Y</th> <th>Z</th> <th>Acceptable</th> </tr> </thead> <tbody> <tr> <td><math>\leq 1.5</math></td> <td><math>\leq 1.5</math></td> <td>Not more than the thickness of glass.</td> <td><math>N \leq 4.</math></td> </tr> </tbody> </table>	X	Y	Z	Acceptable	$\leq 1.5$	$\leq 1.5$	Not more than the thickness of glass.	$N \leq 4.$	
X	Y	Z	Acceptable								
$\leq 1.5$	$\leq 1.5$	Not more than the thickness of glass.	$N \leq 4.$								
		It is only applicable to the upper glass of LCD.									

 OUTGOING QUALITY STANDARD		PAGE 6 OF 6	
TITLE:FUNCTIONAL TEST & INSPECTION CRITERIA			
6. Module Cosmetic Criteria			
Item No	Items to be inspected	Inspection Standard	Classification of defects
1	Difference in Spec.	None allowed	Major
2	Pattern peeling	No substrate pattern peeling and floating	Major
3	Soldering defects	No soldering missing No soldering bridge No cold soldering	Major Major Minor
4	Resist flaw on Printed Circuit Boards	visible copper foil ( $\varnothing 0.5\text{mm}$ or more) on substrate pattern.	Minor
5	Accretion of metallic Foreign matter	No accretion of metallic foreign matters (Not exceed $\varnothing 0.2\text{mm}$ ).	Minor Minor
6	Stain	No stain to spoil cosmetic badly.	Minor
7	Plate discoloring	No plate fading, rusting and discoloring.	Minor
8	Solder amount	a. Soldering side of PCB Solder to form a 'Filet' all around the lead. Solder should not hide the lead form perfectly. (too much)	Minor
	1. Lead parts	b. Components side (In case of 'Through Hole PCB')	
		Solder to reach the Components side of PCB.	
	2. Flat packages	Either 'Toe' (A) or 'Seal' (B) of the lead to be covered by 'Filet'.  Lead form to be assume over solder.	Minor
	3. Chips	$(3/2) H \geq h \geq (1/2) H$	Minor
9	Solder splash ball/Solder splash	a. The spacing between solder ball and the conductor or solder pad $h \geq 0.13\text{mm}$ . The diameter of solder ball $d \leq 0.15\text{mm}$ .	Minor  Minor  Major  Minor
		b. The quantity of solder balls or solder. Splashes isn't beyond 5 in $600\text{mm}^2$ .	
		c. Solder balls/Solder splashes do not violate minimum electrical clearance.	
		d. Solder balls/Solder splashes must be entrapped / encapsulated or attached to the metal surface.	
		Note: Entrapped/encapsulated/attached is intended to mean that normal service environment of the product will not cause a solder ball to become dislodged.	

## ■ PRECAUTIONS FOR USING LCD MODULES

### 1 Handling Precautions

- 1.1 The display panel is made of glass and polarizer. As glass is fragile. It tends to become or chipped during handling especially on the edges. Please avoid dropping or jarring. Do not subject it to a mechanical shock by dropping it or impact.
- 1.2 If the display panel is damaged and the liquid crystal substance leaks out, be sure not to get any in your mouth. If the substance contacts your skin or clothes, wash it off using soap and water.
- 1.3 Do not apply excessive force to the display surface or the adjoining areas since this may cause the color tone to vary. Do not touch the display with bare hands. This will stain the display area and degraded insulation between terminals (some cosmetics are determined to the polarizer).
- 1.4 The polarizer covering the display surface of the LCD module is soft and easily scratched. Handle this polarizer carefully. Do not touch, push or rub the exposed polarizers with anything harder than an HB pencil lead (glass, tweezers, etc.). Do not put or attach anything on the display area to avoid leaving marks on it. Condensation on the surface and contact with terminals due to cold will damage, stain or dirty the polarizer. After products are tested at low temperature they must be warmed up in a container before coming in to contact with room temperature air.
- 1.5 If the display surface becomes contaminated, breathe on the surface and gently wipe it with a soft dry cloth. If it is heavily contaminated, moisten cloth with one of the following solvents
  - Isopropyl alcohol
  - Ethyl alcoholDo not scrub hard to avoid damaging the display surface.
- 1.6 Solvents other than those above-mentioned may damage the polarizer. Especially, do not use the following.
  - Water
  - Ketone
  - Aromatic solventsWipe off saliva or water drops immediately, contact with water over a long period of time may cause deformation or color fading. Avoid contact with oil and fats.
- 1.7 Exercise care to minimize corrosion of the electrode. Corrosion of the electrodes is accelerated by water droplets, moisture condensation or a current flow in a high-humidity environment.
- 1.8 Install the LCD Module by using the mounting holes. When mounting the LCD module make sure it is free of twisting, warping and distortion. In particular, do not forcibly pull or bend the I/O cable or the backlight cable.
- 1.9 Do not attempt to disassemble or process the LCD module.
- 1.10 NC terminal should be open. Do not connect anything.
- 1.11 If the logic circuit power is off, do not apply the input signals.
- 1.12 Electro-Static Discharge Control, Since this module uses a CMOS LSI, the same careful attention should be paid to electrostatic discharge as for an ordinary CMOS IC. To prevent destruction of the elements by static electricity, be careful to maintain an optimum work environment.
  - Before removing LCM from its packing case or incorporating it into a set, be sure the module and your body have the same electric potential. Be sure to ground the body when handling the LCD modules.
  - Tools required for assembling, such as soldering irons, must be properly grounded. Make certain the AC power source for the soldering iron does not leak. When using an electric screwdriver to attach LCM, the screwdriver should be of ground potentiality to minimize as much as possible any transmission of electromagnetic waves produced sparks coming from the commutator of the motor.
  - To reduce the amount of static electricity generated, do not conduct assembling

and other work under dry conditions. To reduce the generation of static electricity be careful that the air in the work is not too dry. A relative humidity of 50%-60% is recommended. As far as possible make the electric potential of your work clothes and that of the work bench the ground potential.

- The LCD module is coated with a film to protect the display surface. Exercise care when peeling off this protective film since static electricity may be generated.

1.13 Since LCM has been assembled and adjusted with a high degree of precision, avoid applying excessive shocks to the module or making any alterations or modifications to it.

- Do not alter, modify or change the shape of the tab on the metal frame.
- Do not make extra holes on the printed circuit board, modify its shape or change the positions of components to be attached.
- Do not damage or modify the pattern writing on the printed circuit board.
- Absolutely do not modify the zebra rubber strip (conductive rubber) or heat seal connector.
- Except for soldering the interface, do not make any alterations or modifications with a soldering iron.
- Do not drop, bend or twist the LCM.



## 2 Handling precaution for LCM

2.1 LCM is easy to be damaged. Please note below and be careful for handling.

### 2.2 Correct handling:

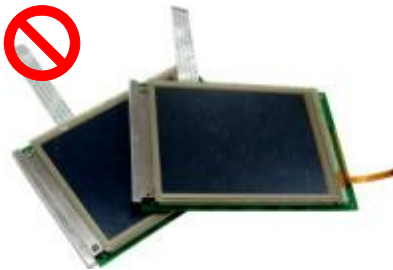


As above picture, please handle with anti-static gloves around LCM edges.

### 2.3 Incorrect handling:



Please don't touch IC directly.



Please don't stack LCM.



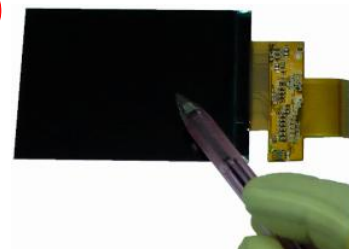
Please don't hold the surface of panel.



Please don't stretch interface of output, such as FPC cable.



Please don't hold the surface of IC.



Please don't operate with sharp stick such as pens.

### 3 Storage Precautions

3.1 When storing the LCD modules, the following precaution are necessary.

- 3.1.1 Store them in a sealed polyethylene bag. If properly sealed, there is no need for the desiccant.
- 3.1.2 Store them in a dark place. Do not expose to sunlight or fluorescent light, keep the temperature between 0°C and 35°C, and keep the relative humidity between 40%RH and 60%RH.
- 3.1.3 The polarizer surface should not come in contact with any other objects (We advise you to store them in the anti-static electricity container in which they were shipped).

#### 3.2 Others 其它

- 3.2.1 Liquid crystals solidify under low temperature (below the storage temperature range) leading to defective orientation or the generation of air bubbles (black or white). Air bubbles may also be generated if the module is subject to a low temperature.
- 3.2.2 If the LCD modules have been operating for a long time showing the same display patterns, the display patterns may remain on the screen as ghost images and a slight contrast irregularity may also appear. A normal operating status can be regained by suspending use for some time. It should be noted that this phenomenon does not adversely affect performance reliability.
- 3.2.3 To minimize the performance degradation of the LCD modules resulting from destruction caused by static electricity etc., exercise care to avoid holding the following sections when handling the modules.
  - 3.2.3.1 - Exposed area of the printed circuit board.
  - 3.2.3.2 - Terminal electrode sections.

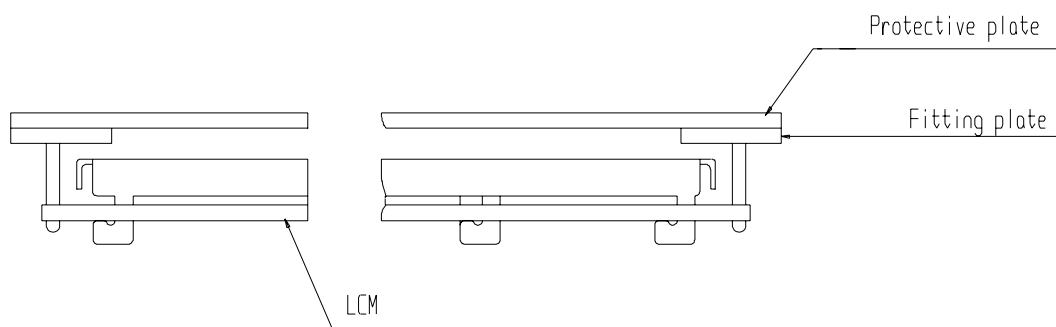
### 4 USING LCD MODULES

#### 4.1 Installing LCD Modules

The hole in the printed circuit board is used to fix LCM as shown in the picture below.

Attend to the following items when installing the LCM.

4.1.1 Cover the surface with a transparent protective plate to protect the polarizer and LC cell.



4.1.2 When assembling the LCM into other equipment, the spacer to the bit between the LCM and the fitting plate should have enough height to avoid causing stress to the module surface, refer to the individual specifications for measurements. The measurement tolerance should be  $\pm 0.1$ mm.

### 4.3 Precaution for soldering the LCM

	Manual soldering	Machine drag soldering	Machine press soldering
No RoHS Product	290°C ~350°C. Time : 3-5S.	330°C ~350°C. Speed : 15-17 mm/s.	300°C ~330°C. Time : 3-6S. Press: 0.8~1.2Mpa
RoHS Product	340°C ~370°C. Time : 3-5S.	350°C ~370°C. Speed : 15-17 mm/s.	330°C ~360°C. Time : 3-6S. Press: 0.8~1.2Mpa

- 4.3.1 If soldering flux is used, be sure to remove any remaining flux after finishing to soldering operation (This does not apply in the case of a non-halogen type of flux). It is recommended that you protect the LCD surface with a cover during soldering to prevent any damage due to flux spatters.
- 4.3.2 When soldering the electroluminescent panel and PC board, the panel and board should not be detached more than three times. This maximum number is determined by the temperature and time conditions mentioned above, though there may be some variance depending on the temperature of the soldering iron.
- 4.3.3 When remove the electroluminescent panel from the PC board, be sure the solder has completely melted, the soldered pad on the PC board could be damaged.

### 4.4 Precautions for Operation

- 4.4.1 Viewing angle varies with the change of liquid crystal driving voltage (VLCD). Adjust VLCD to show the best contrast.
- 4.4.2 It is an indispensable condition to drive LCD's within the specified voltage limit since the higher voltage then the limit cause the shorter LCD life. An electrochemical reaction due to direct current causes LCD's undesirable deterioration, so that the use of direct current drive should be avoided.
- 4.4.3 Response time will be extremely delayed at lower temperature than the operating temperature range and on the other hand at higher temperature LCD's show dark color in them. However those phenomena do not mean malfunction or out of order with LCD's, which will come back in the specified operating temperature.
- 4.4.4 If the display area is pushed hard during operation, the display will become abnormal. However, it will return to normal if it is turned off and then back on.
- 4.4.5 A slight dew depositing on terminals is a cause for electro-chemical reaction resulting in terminal open circuit. Usage under the maximum operating temperature, 50%RH or less is required.
- 4.4.6 Input logic voltage before apply analog high voltage such as LCD driving voltage when power on. Remove analog high voltage before logic voltage when power off the module. Input each signal after the positive/negative voltage becomes stable.
- 4.4.7 Please keep the temperature within the specified range for use and storage. Polarization degradation, bubble generation or polarizer peel-off may occur with high temperature and high humidity.

### 4.5 Safety

- 4.5.1 It is recommended to crush damaged or unnecessary LCDs into pieces and wash them off with solvents such as acetone and ethanol, which should later be burned.
- 4.5.2 If any liquid leaks out of a damaged glass cell and comes in contact with the hands, wash off thoroughly with soap and water.

#### 4.6 Limited Warranty

Unless agreed between Multi-Inno and the customer, Multi-Inno will replace or repair any of its LCD modules which are found to be functionally defective when inspected in accordance with Multi-Inno LCD acceptance standards (copies available upon request) for a period of one year from date of production. Cosmetic/visual defects must be returned to Multi-Inno within 90 days of shipment. Confirmation of such date shall be based on data code on product. The warranty liability of Multi-Inno limited to repair and/or replace on the terms set forth above. Multi-Inno will not be responsible for any subsequent or consequential events.

#### 4.7 Return LCM under warranty

4.7.1 No warranty can be granted if the precautions stated above have been disregarded. The typical examples of violations are :

4.7.1.1 - Broken LCD glass.

4.7.1.2 - PCB eyelet is damaged or modified.

4.7.1.3 -PCB conductors damaged.

4.7.1.4 - Circuit modified in any way, including addition of components.

4.7.1.5 - PCB tampered with by grinding, engraving or painting varnish.

4.7.1.6 - Soldering to or modifying the bezel in any manner.

4.7.2 Module repairs will be invoiced to the customer upon mutual agreement. Modules must be returned with sufficient description of the failures or defects. Any connectors or cable installed by the customer must be removed completely without damaging the PCB eyelet, conductors and terminals.

### ■ PACKING SPECIFICATION

Please consult our technical department for detail information.

### ■ PRIOR CONSULT MATTER

- 1 For Multi-Inno standard products, we keep the right to change material, process ... for improving the product property without prior notice to our customer.
- 2 For OEM products, if any changes are needed which may affect the product property, we will consult with our customer in advance.
- 3 If you have special requirement about reliability condition, please let us know before you start the test on our samples.