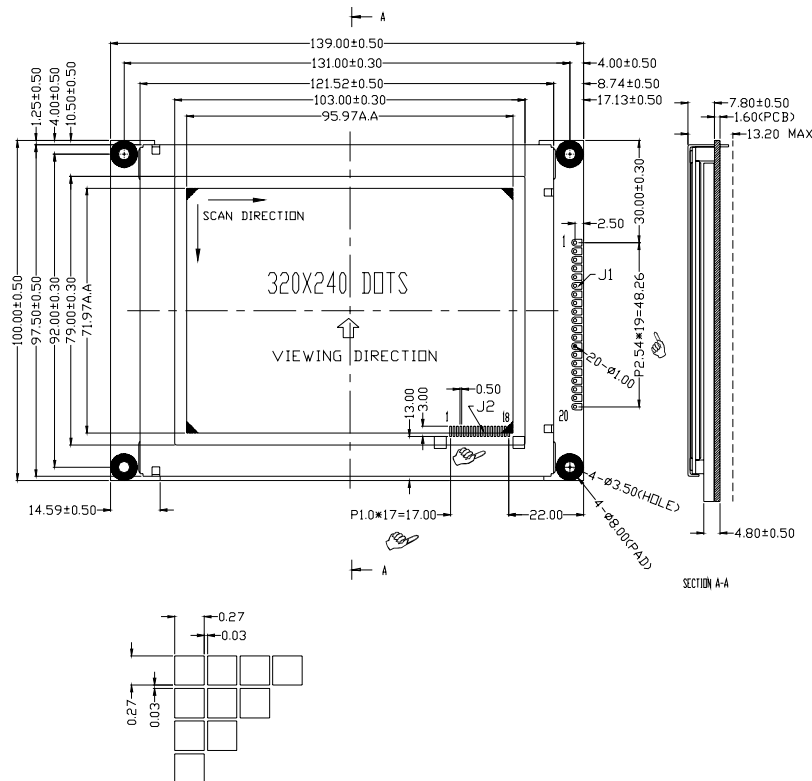




■ GENERAL INFORMATION

Item	Contents	Unit
LCD type	STN	/
Viewing direction	6:00	O° Clock
Glass area (W×H)	139×100	mm ²
Viewing area (W×H)	103.0×79.0	mm ²
Active area (W×H)	95.97×71.97	mm ²
Number of Dots	320×240	/
Dot size (W×H)	0.27×0.27	mm ²
Dot pitch (W×H)	0.30×0.30	mm ²
Driver IC	S6B2086	/
Backlight Type	LED	/
Interface Type	Parallel	/
Input voltage	5.0	V

■ EXTERNAL DIMENSIONS



J1 (WITH CONTROLLER)

1	2	3	4	5	6	7	8	9	10	11	12	13	14	15	16	17	18	19	20
VSS	VDD	VD	WR	RD	CS	AO	RES	DO	DI	D2	D3	D4	D5	D6	D7	NC	VOUT	LEDA	LEDK

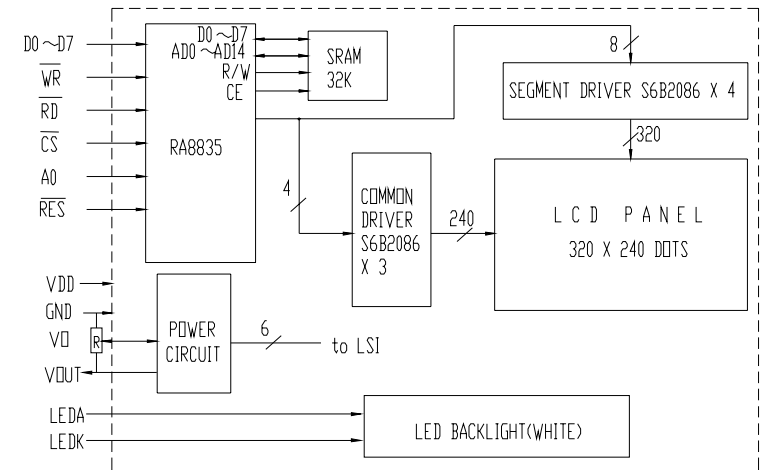
J1 (NO CONTROLLER)

1	2	3	4	5	6	7	8	9	10	11	12	13	14	15	16	17	18	19	20
FRAME	LOAD	CP	M	VD	VDD	VSS	VEE	DO	DI	D2	D3	DISPOFF	NC	NC	NC	NC	VOUT	LEDA	LEDK

J2 (WITH CONTROLLER)

1	2	3	4	5	6	7	8	9	10	11	12	13	14	15	16	17	18
VSS	VDD	VD	AO	WR	RD	DO	DI	D2	D3	D4	D5	D6	D7	CS	RES	VOUT	SEL1

BLOCK DIAGRAM



- NOTES: 1. OPERATING TEMPERATURE: -20°C TO 70°C
 STORAGE TEMPERATURE: -30°C TO 80°C
 2. LCD MODEL: STN/BLUE/NEGATIVE/TRANSMISSIVE
 3. 1/240 DUTY, 1/17 BAIS, VLCD=23V, VDD=5V
 4. VIEWING ANGLE: 6:00 O'CLOCK
 5. BACKLIGHT: WHITE LED, IF=140mA VF=5V