

## 75V Dual Phase, Advanced COT Buck Controller with Selectable Droop Feature and Phase Shedding

### Features

- Input Voltage Range: 8V to 75V
- Input Down to 2V when  $V_{DD} = 5V$  from External Supply
- Adjustable Output Voltage from 0.6V to 28V
- Adaptive Constant On-Time Control:
  - High Delta V operation
  - Any Capacitor™ stable
- 0.6V Internal Reference with  $\pm 1\%$  Accuracy
- Ripple Injection from Third Node Allows Greater than 50% Duty Cycles
- HyperLight Load® and Automatic Phase Shedding
- Ability to Interface with External MCU
- Accurate Current Balancing Between Phases
- Accurate 180° Phasing of Outputs
- 100 kHz to 1 MHz Switching Frequency per Phase
- High-Voltage Internal 5V LDO for Single-Supply Operation
- Secondary LDO to Improve System Efficiency
- Supports Start-up to Pre-Bias Output
- Remote Sense Amplifier for Tight Output Regulation
- **Droop Feature to Support Adaptive Voltage Positioning (AVP) for Improved Load Transient Response**
- Precision Enable Function for Low Standby Current
- External Programmable Soft Start to Reduce Inrush Current
- Lossless  $R_{DS(ON)}$  Current Sensing with NTC Temperature Compensation or Resistor Sensing Method
- Programmable Current Limit and Hiccup Mode Short-Circuit Protection
- Thermal Shutdown with Hysteresis
- $-40^{\circ}\text{C}$  to  $+125^{\circ}\text{C}$  Junction Temperature Range
- Compact Size 5 mm x 5 mm, 32-Pin VQFN Package
- AEC-Q100 Qualified (VAO Suffix)

### Applications

- Distributed Power Systems
- Communications/Networking Infrastructure
- Printers, Scanners, Graphic and Video Cards
- FPGA, CPU, Memory, GPU Core Supplies
- Automotive POL

### General Description

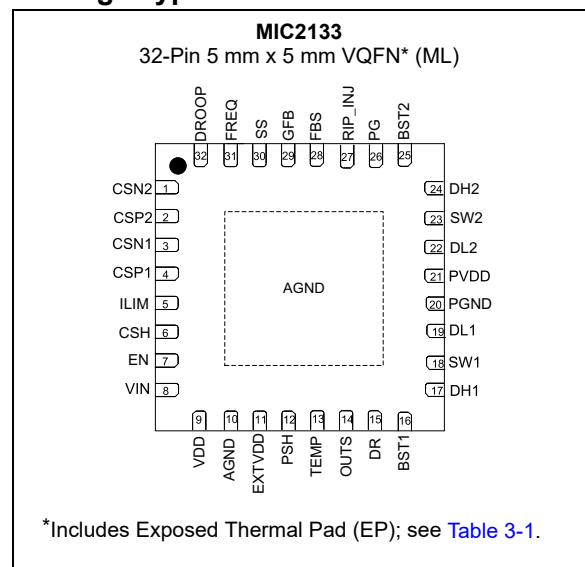
The MIC2133 is a constant on-time, dual phase, synchronous buck controller featuring a unique adaptive on-time control architecture with HyperLight Load and phase shedding features enabled. The MIC2133 operates over an input supply range from 8V to 75V. The output voltage is adjustable down to 0.6V with an ensured accuracy of  $\pm 1\%$  at the FBS pin. The device operates with programmable switching frequency from 100 kHz to 1 MHz per phase.

The Hyper Speed Control architecture supports an ultra-fast transient response under medium to heavy loads. The soft start is also programmable externally with a capacitor, thus, enabling safe start-ups into heavy loads. The MIC2133 has a remote sense amplifier for accurate output voltage control.

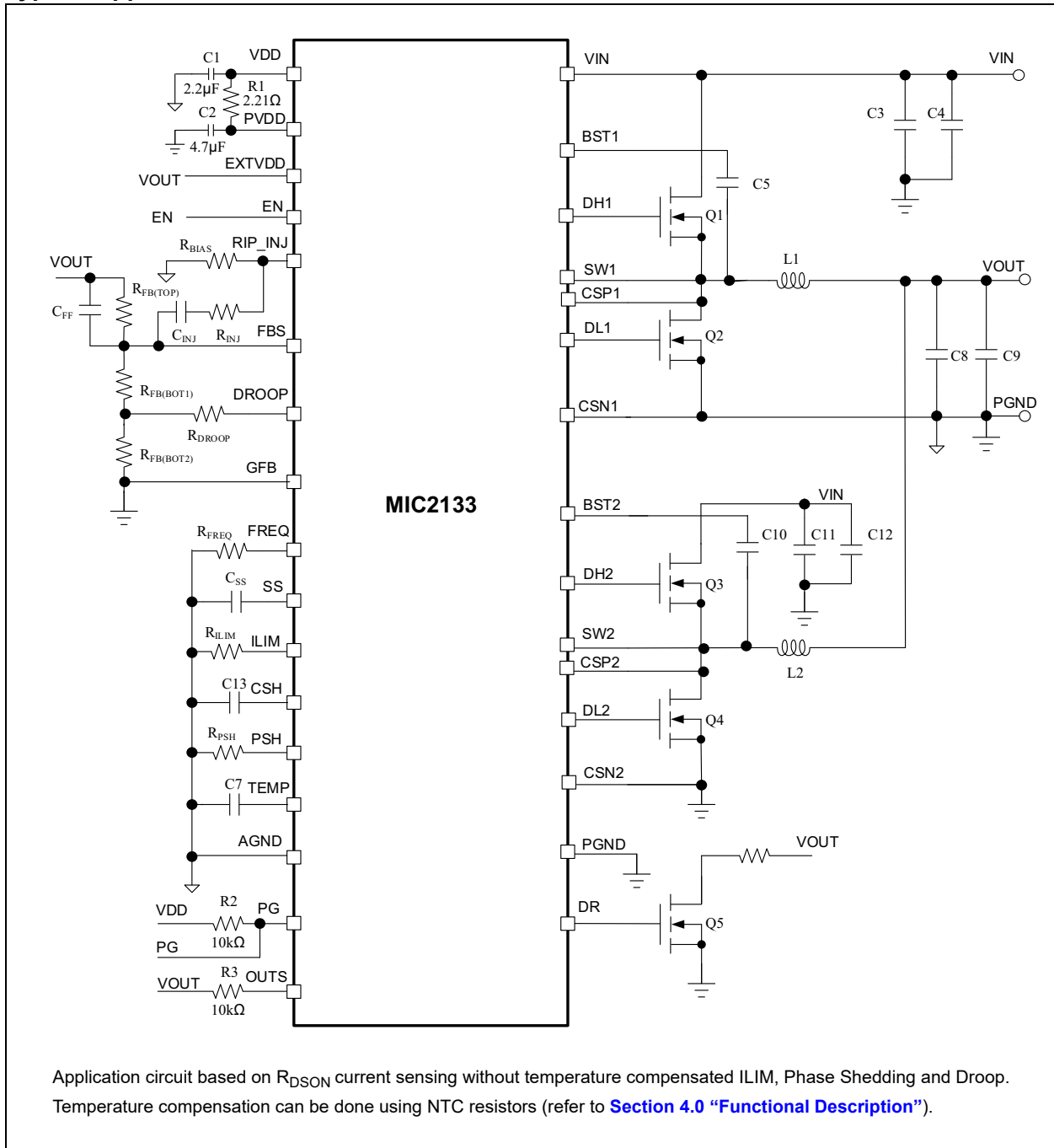
MIC2133 offers a full suite of protection features to ensure protection of the IC during Fault conditions. These include undervoltage lockout to ensure proper operation, programmable soft start to reduce inrush current, overvoltage discharge, Hiccup mode short-circuit protection and thermal shutdown.

MIC2133 is available in a 5 mm x 5 mm, 32-pin VQFN package with a  $-40^{\circ}\text{C}$  to  $+125^{\circ}\text{C}$  operating junction temperature range.

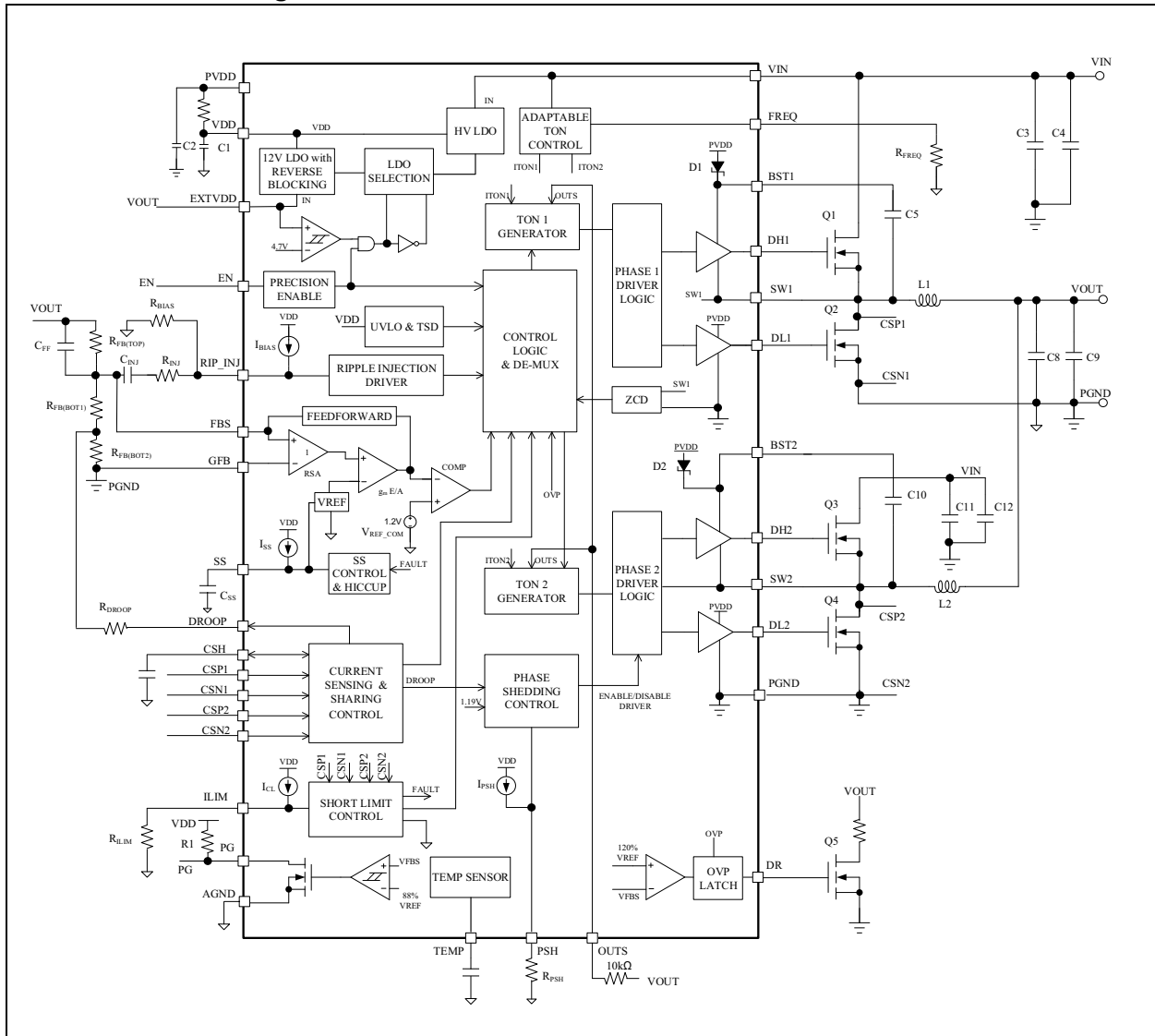
### Package Type



## Typical Application Circuit



## Functional Block Diagram



## 1.0 ELECTRICAL CHARACTERISTICS

### Absolute Maximum Ratings†

|   |   |
|---|---|
| $V_{IN}$ to AGND  | -0.3V to +76V                             |
| $V_{DD}$ , OUTS to AGND   | -0.3V to +6V                              |
| $PV_{DD}$ to PGND   | -0.3V to +6V                              |
| EN to AGND  | -0.3V to ( $V_{IN} + 0.3V$ )              |
| SW1, SW2, CSP1, CSP2 to PGND  | -0.3V to ( $V_{IN} + 0.3V$ )              |
| BST1 to SW1, BST2 to SW2  | -0.3V to 6V                               |
| DH1 to SW1, DH2 to SW2  | $V_{SW1,2} - 0.3V$ to $V_{BST1,2} + 0.3V$ |
| $I_{LIM}$ , FREQ, SS, RIP_INJ, FBS, DROOP, PG, CSH, PSH, TEMP, DR to AGND | -0.3V to ( $V_{DD} + 0.3V$ )              |
| EXTVDD to AGND  | -0.3V to +14V                             |
| CSN1, CSN2, GFB, PGND to AGND   | -0.3V to +0.3V                            |
| Maximum Junction Temperature ( $T_J$ )                                    | +150°C                                    |
| Storage Temperature ( $T_S$ )   | -65°C to +150°C                           |
| Lead Temperature ( $T_{LEAD}$ )   | +300°C                                    |
| ESD Rating <sup>(1)</sup> (HBM)   | 2000V                                     |
| ESD Rating <sup>(1)</sup> (MM)  | 200V                                      |
| ESD Rating <sup>(1)</sup> (CDM)   | 2000V                                     |

### Operating Ratings‡

|   |                 |
|---|-----------------|
| Supply Voltage ( $V_{IN}$ )   | 8V to 75V       |
| $PV_{DD}$ , $V_{DD}$ Pin Voltage  | 4.5V to 5.5V    |
| OUTS Pin Voltage  | 0.6V to 5.5V    |
| EXTVDD Pin Voltage  | 0V to 13V       |
| SW1, SW2, CSP1, CSP2 Pin Voltage  | 0V to $V_{IN}$  |
| $I_{LIM}$ , FREQ, SS, RIP_INJ, FBS, DROOP, PG, CSH, PSH, TEMP, DR to AGND | 0V to $V_{DD}$  |
| DL1, DL2 to AGND  | 0V to $V_{DD}$  |
| DH1 to SW1, DH2 to SW2  | 0V to $V_{DD}$  |
| Enable Input Voltage ( $V_{EN}$ )   | 0V to $V_{IN}$  |
| Junction Temperature ( $T_J$ )  | -40°C to +125°C |

† **Notice:** Stresses above those listed under “**Absolute Maximum Ratings**” may cause permanent damage to the device. This is a stress rating only and functional operation of the device at those or any other conditions above those indicated in the operational sections of this specification is not intended. Exposure to maximum rating conditions for extended periods may affect device reliability.

‡ **Notice:** The device is not ensured to function outside its operating ratings.

**Note 1:** Specification for packaged product only.

**2:**  $P_{D(MAX)} = (T_{J(MAX)} - T_A) / \theta_{JA}$ , where  $\theta_{JA}$  depends upon the printed circuit layout.

## ELECTRICAL CHARACTERISTICS<sup>(1)</sup>

**Electrical Characteristics:**  $V_{IN} = 12V$ ;  $V_{OUT} = 5V$ ;  $f_{SW} = 500$  kHz/phase;  $V_{BST} - V_{SW} = 5V$ ;  $T_A = +25^\circ C$ ; unless noted. **Boldface** values indicate  $-40^\circ C \leq T_J \leq +125^\circ C$ .

| Parameters   | Symbol           | Min.         | Typ. | Max.         | Units   | Conditions  |
|--|------------------|--------------|------|--------------|---------|---|
| <b>Power Supply Input</b>                            |                  |              |      |              |         |   |
| Input Voltage Range                                  | $V_{IN}$         | <b>8</b>     | —    | <b>75</b>    | V       | —   |
| Quiescent Supply Current                             | $I_Q$            | —            | 5000 | <b>8000</b>  | $\mu A$ | $V_{FBS} = +1.5V$   |
| Shutdown Current                                     | $I_{SD}$         | —            | 25   | <b>50</b>    | $\mu A$ | $V_{EN} = 0V$   |
| <b>V<sub>DD</sub> and EXT<sub>VDD</sub></b>          |                  |              |      |              |         |   |
| V <sub>DD</sub> Voltage Range                        | $V_{DD}$         | <b>4.7</b>   | 5.1  | <b>5.4</b>   | V       | $V_{IN} = 8V$ to $75V$ , $I_{VDD} = 20$ mA ( <b>Note 5</b> )    |
| V <sub>DD</sub> Undervoltage Lockout Upper Threshold | $V_{DDUV\_R}$    | 3.7          | 4.2  | 4.5          | V       | $V_{DD}$ rising   |
| V <sub>DD</sub> UVLO Hysteresis                      | $V_{DDUV\_HYS}$  | —            | 600  | —            | mV      | Hysteresis  |
| V <sub>DD</sub> Regulation                           | $\Delta V_{DD}$  | —            | 1    | <b>2.5</b>   | %       | $V_{IN} = 24V$ , $I_{VDD}$ from 1 mA to 40 mA ( <b>Note 5</b> ) |
| V <sub>DD</sub> Regulator Dropout Voltage            | $V_{DROP\_VDD}$  | —            | 0.8  | 1.05         | V       | $V_{IN} = 5.5V$ , $I_{VDD} = 25$ mA                             |
| EXT <sub>VDD</sub> Switchover Voltage                | $V_{SO\_EVDD}$   | <b>4.5</b>   | 4.7  | <b>4.9</b>   | V       | $V_{IN} = 24V$ , EXT <sub>VDD</sub> rising, $I_{VDD} = 40$ mA   |
| EXT <sub>VDD</sub> Switchover Voltage Hysteresis     | $V_{SO\_HYS}$    | —            | 250  | —            | mV      | Hysteresis  |
| EXT <sub>VDD</sub> Dropout Voltage                   | $V_{DROP\_EVDD}$ | —            | 250  | —            | mV      | $V_{EXTVDD} = 5V$ , $I_{VDD} = 40$ mA                           |
| EXT <sub>VDD</sub> Leakage Current                   | $I_{LK\_EVDD}$   | —            | 0.1  | —            | $\mu A$ | $V_{EXTVDD} = 14V$ , $V_{EN} = 0V$                              |
| <b>Soft Start</b>                                    |                  |              |      |              |         |   |
| Soft Start Source Current                            | $I_{SS}$         | 0.8          | 1.2  | 1.7          | $\mu A$ | —   |
| <b>DC-DC Regulator</b>                               |                  |              |      |              |         |   |
| Output Voltage Adjustable Range                      | $V_{OUT}$        | 0.6          | —    | 28           | V       | <b>Note 2</b>   |
| <b>Reference and Remote Sensing Amplifier</b>        |                  |              |      |              |         |   |
| Feedback Regulation Voltage                          | $V_{FBS-GFB}$    | <b>0.593</b> | 0.6  | <b>0.606</b> | V       | Measured with EA in servo loop                                  |
| FBS Bias Current                                     | $I_{FBS}$        | —            | 2    | —            | nA      | $V_{FBS} = +0.6V$ ( <b>Note 2</b> )                             |
| GFB Bias Current                                     | $I_{GFB}$        | —            | 12   | —            | $\mu A$ | —   |
| Remote Sense Amplifier Gain                          | $G_{RSA}$        | —            | 1.00 | —            | V/V     | —   |
| <b>Enable</b>  |                  |              |      |              |         |   |
| Enable Upper Threshold Voltage                       | $V_{EN\_TH}$     | <b>1.05</b>  | 1.2  | <b>1.36</b>  | V       | Enable Rising   |
| Enable Hysteresis                                    | $V_{EN\_HYS}$    | —            | 65   | —            | mV      | —   |
| Enable Bias Current                                  | $I_{EN}$         | —            | 100  | <b>200</b>   | nA      | $V_{EN} = 12V$  |

**Note 1:** Specification for packaged product only.

**2:** Ensured by design and characterization. Not production tested.

**3:** Measured in Test mode.

**4:** The maximum duty cycle is limited by the fixed mandatory off-time of typically 360 ns.

**5:** Limited by maximum junction temperature  $T_J = +125^\circ C$ .

## ELECTRICAL CHARACTERISTICS<sup>(1)</sup> (CONTINUED)

**Electrical Characteristics:**  $V_{IN} = 12V$ ;  $V_{OUT} = 5V$ ;  $f_{SW} = 500$  kHz/phase;  $V_{BST} - V_{SW} = 5V$ ;  $T_A = +25^\circ C$ ; unless noted. **Boldface** values indicate  $-40^\circ C \leq T_J \leq +125^\circ C$ .

| Parameters  | Symbol          | Min.         | Typ.        | Max.         | Units           | Conditions   |
|---|-----------------|--------------|-------------|--------------|-----------------|--|
| <b>On Timer</b>                                   |                 |              |             |              |                 |  |
| Nominal Switching Frequency per Phase             | $f_{SWNOM\_PH}$ | <b>400</b>   | 500         | <b>600</b>   | kHz             | $V_{IN} = 12V$ , $V_{OUTS} = 5V$ , $R_{FREQ} = 40.2$ k $\Omega$  |
| Minimum Switching Frequency per Phase             | $f_{SWMIN\_PH}$ | —            | 100         | —            | kHz             | $V_{IN} = 12V$ , $V_{OUTS} = 5V$ , $R_{FREQ} = 200$ k $\Omega$   |
| Maximum Switching Frequency per Phase             | $f_{SWMAX\_PH}$ | —            | 800         | —            | kHz             | $V_{IN} = 12V$ , $V_{OUTS} = 5V$ , $R_{FREQ} = 25.5$ k $\Omega$  |
| Minimum On-Time                                   | $T_{ONMIN}$     | —            | 60          | —            | ns              | Measured in application ( <b>Note 2</b> )  |
| Minimum Off-Time                                  | $T_{OFFMIN}$    | —            | 360         | —            | ns              | $V_{FBS} = 0V$   |
| Maximum Duty Cycle                                | $D_{MAX}$       | —            | 85          | —            | %               | $f_{SW} = 400$ kHz per phase ( <b>Note 4</b> )   |
| Minimum Duty Cycle                                | $D_{MIN}$       | —            | 0           | —            | %               | $V_{FBS} = +1V$ ( <b>Note 2</b> )  |
| <b>Current Limit</b>                              |                 |              |             |              |                 |  |
| ILIM Source Current                               | $I_{CL}$        | <b>8.3</b>   | 9.6         | <b>10.56</b> | $\mu A$         | —  |
| ILIM Source Current Tempco                        | $TC_{ICL}$      | —            | 0           | —            | ppm/ $^\circ C$ | <b>Note 2</b>  |
| Nominal Current Limit Threshold Voltage per Phase | $V_{ILIM\_TH}$  | 139          | 156         | 174          | mV              | $R_{ILIM} = 60.4$ k $\Omega$   |
|   |                 | —            | 47          | —            | mV              | $R_{ILIM} = 105$ k $\Omega$  |
|   |                 | —            | 250         | —            | mV              | $R_{ILIM} = 21$ k $\Omega$   |
| Negative Current Limit Threshold Voltage          | $V_{ILIM\_NTH}$ | 60           | 75          | 90           | mV              | $R_{ILIM} = 60.4$ k $\Omega$   |
| <b>Zero-Crossing Detection</b>                    |                 |              |             |              |                 |  |
| Zero-Crossing Detection Threshold                 | $V_{ZCD\_TH}$   | <b>-10</b>   | -4          | <b>-0.6</b>  | mV              | —  |
| <b>Current Sharing Amplifier</b>                  |                 |              |             |              |                 |  |
| CSH Operating Point                               | $V_{CSH\_OP}$   | <b>1.154</b> | <b>1.19</b> | <b>1.244</b> | V               | $V_{CSN1} = V_{CSN2} = V_{CSP1} = V_{CSP2} = 0V$   |
| Current Sense Amplifier(s) Gain                   | $G_{CSA}$       | —            | 8           | —            | V/V             | As reflected on CSH pin and DROOP pin  |
| Current Sense Input Voltage Range                 | $V_{CS}$        | <b>-120</b>  | —           | <b>+120</b>  | mV              | $-40^\circ C \leq T_J \leq +125^\circ C$   |
| Phase to Phase Current Balance                    | $\Delta I_{PH}$ | —            | 5           | —            | %               | Using equal sense resistors on the bottom, equal inductances, $f_{SW} = 500$ kHz, $V_{IN} = 12V$ , $V_{OUT} = 5V$ , $V_{CSP1} - V_{CSN1} = -120$ mV, $V_{CSP2} - V_{CSN2} = -120$ mV |

**Note 1:** Specification for packaged product only.

**2:** Ensured by design and characterization. Not production tested.

**3:** Measured in Test mode.

**4:** The maximum duty cycle is limited by the fixed mandatory off-time of typically 360 ns.

**5:** Limited by maximum junction temperature  $T_J = +125^\circ C$ .

## ELECTRICAL CHARACTERISTICS<sup>(1)</sup> (CONTINUED)

**Electrical Characteristics:**  $V_{IN} = 12V$ ;  $V_{OUT} = 5V$ ;  $f_{SW} = 500$  kHz/phase;  $V_{BST} - V_{SW} = 5V$ ;  $T_A = +25^\circ C$ ; unless noted. **Boldface** values indicate  $-40^\circ C \leq T_J \leq +125^\circ C$ .

| Parameters   | Symbol           | Min.      | Typ. | Max.       | Units       | Conditions  |
|--|------------------|-----------|------|------------|-------------|---|
| <b>Adaptive Voltage Positioning (AVP), i.e., DROOP</b> |                  |           |      |            |             |   |
| $V_{DROOP}$ at No Load                                 | $V_{DRP\_NLOAD}$ | —         | 10   | —          | mV          | Measure DROOP voltage ~ 0V when $V_{CSP1} - V_{CSN1} = 0V$ , $V_{CSP2} - V_{CSN2} = 0V$           |
| $V_{DROOP}$ at Maximum Positive Range                  | $V_{DRP(PMAX)}$  | —         | 0.96 | —          | V           | Measure DROOP voltage ~1.2V when $V_{CSP1} - V_{CSN1} = -120$ mV, $V_{CSP2} - V_{CSN2} = -120$ mV |
| <b>Ripple Injection</b>                                |                  |           |      |            |             |   |
| Ripple Injection Pulse Width                           | $t_{PW(RI)}$     | —         | 100  | 120        | ns          | —   |
| Ripple Injection Prepositioning Current                | $I_{BIAS}$       | —         | 4.8  | 6          | $\mu A$     | Force $V_{RIPINJ} = 0V$ , $V_{SS} = 0V$ , measure current   |
| Injection Driver ON Resistance                         | $R_{DSON(INJ)}$  | —         | 50   | —          | $\Omega$    | —   |
| <b>Internal MOSFET Drivers</b>                         |                  |           |      |            |             |   |
| DHx On-Resistance, High State                          | $R_{ON\_DHH}$    | —         | 2.5  | 4.5        | $\Omega$    | $I_{SOURCE} = 0.1A$   |
| DHx On-Resistance, Low State                           | $R_{ON\_DHL}$    | —         | 1.6  | 3.2        | $\Omega$    | $I_{SINK} = 0.1A$   |
| DLx On-Resistance, High State                          | $R_{ON\_DLH}$    | —         | 2.5  | 4.5        | $\Omega$    | $I_{SOURCE} = 0.1A$   |
| DLx On-Resistance, Low State                           | $R_{ON\_DLL}$    | —         | 0.8  | 1.5        | $\Omega$    | $I_{SINK} = 0.1A$   |
| <b>SW, VIN and BST Leakage</b>                         |                  |           |      |            |             |   |
| BST Leakage  | $I_{LEAK(BST)}$  | —         | —    | 10         | $\mu A$     | $V_{BST} = 75V$   |
| VIN Leakage  | $I_{LEAK(VIN)}$  | —         | —    | 60         | $\mu A$     | $V_{IN} = 70V$  |
| SW Leakage   | $I_{LEAK(SW)}$   | —         | —    | 20         | $\mu A$     | $V_{SW} = 70V$  |
| <b>Power Good (PG)</b>                                 |                  |           |      |            |             |   |
| PG Threshold from Low to High                          | $V_{PG\_TH}$     | <b>83</b> | 88   | <b>94</b>  | $\%V_{OUT}$ | $V_{FBS}$ rising  |
| PG Threshold Hysteresis                                | $V_{PG\_HYS}$    | —         | 7    | —          | $\%V_{OUT}$ | $V_{FBS}$ falling   |
| PG Delay   | $t_D$ PG         | —         | 100  | —          | $\mu s$     | $V_{FBS}$ rising  |
| PG Low State Voltage                                   | $V_{PG\_L}$      | —         | 70   | <b>200</b> | mV          | $V_{FBS} < 90\% \times V_{NOM}$ , $I_{PG} = 1$ mA   |
| PG Leakage Current                                     | $I_{LEAK(PG)}$   | —         | —    | <b>500</b> | nA          | $V_{PG} = 5.5V$   |

- Note 1:** Specification for packaged product only.  
**2:** Ensured by design and characterization. Not production tested.  
**3:** Measured in Test mode.  
**4:** The maximum duty cycle is limited by the fixed mandatory off-time of typically 360 ns.  
**5:** Limited by maximum junction temperature  $T_J = +125^\circ C$ .

## ELECTRICAL CHARACTERISTICS<sup>(1)</sup> (CONTINUED)

**Electrical Characteristics:**  $V_{IN} = 12V$ ;  $V_{OUT} = 5V$ ;  $f_{SW} = 500$  kHz/phase;  $V_{BST} - V_{SW} = 5V$ ;  $T_A = +25^\circ C$ ; unless noted. **Boldface** values indicate  $-40^\circ C \leq T_J \leq +125^\circ C$ .

| Parameters                                | Symbol           | Min.        | Typ.    | Max.       | Units           | Conditions   |
|---|------------------|-------------|---------|------------|-----------------|--|
| <b>Phase Shedding</b>                     |                  |             |         |            |                 |  |
| Phase Shedding Exit Threshold             | $V_{PSH\_EXIT}$  | <b>170</b>  | 244     | <b>300</b> | mV              | $V_{PSH} = 0.96V$ , $V_{DROOP}$ ramp-up ( <b>Note 3</b> )  |
| Phase Shedding Entry Threshold            | $V_{PSH\_ENTRY}$ | <b>135</b>  | 195     | <b>240</b> | mV              | $V_{PSH} = 0.96V$ , $V_{DROOP}$ ramp-down ( <b>Note 3</b> )  |
| DROOP High-to-Low Transition Time         | $t_{TRAN\_HL}$   | —           | 30      | —          | $\mu s$         | MIC2133 sheds the secondary; moving $V_{PSH\_TH}$ from high to 0 mV, the delay of the action is measured |
| PSH Current                               | $I_{PSH}$        | <b>9</b>    | 10      | <b>11</b>  | $\mu A$         | —  |
| PSH Current Tempco                        | $TC_{IPSH}$      | —           | 0       | —          | ppm/ $^\circ C$ | <b>Note 2</b>  |
| <b>Output Overvoltage Protection (DR)</b> |                  |             |         |            |                 |  |
| OVP Threshold                             | $V_{OVP\_TH}$    | <b>0.64</b> | 0.67    | <b>0.7</b> | V               | OVP is activated after UVLO goes high and $V_{FBS}$ soft start   |
| OVP Deglitch Timer                        | $t_{DEGLITCH}$   | —           | 12      | —          | $\mu s$         | —  |
| DR Output High $R_{DSON}$                 | $R_{ON\_DRH}$    | —           | 30      | —          | $\Omega$        | $I_{DR} = 10$ mA   |
| DR Output Low $R_{DSON}$                  | $R_{ON\_DRL}$    | —           | 25      | —          | $\Omega$        | $I_{DR} = 10$ mA   |
| DR Rise Time                              | $t_{R\_DR}$      | —           | 160     | —          | ns              | $C_{LOAD} = 1$ nF ( <b>Note 2</b> )  |
| <b>Temperature Sense</b>                  |                  |             |         |            |                 |  |
| Thermal Sense Gain                        | $G_{TS}$         | —           | 6       | —          | mV/ $^\circ C$  | —  |
| Thermal Sense Offset Voltage              | $V_{OS\_TS}$     | —           | 1.8     | —          | V               | $V_{IN} = V_{DD} = 5V$ ( <b>Note 2</b> )   |
| Thermal Sense Nonlinearity                | $T_{SNL}$        | —           | $\pm 6$ | —          | $^\circ C$      | TEMP = $-40^\circ C$ to $+125^\circ C$ , ensured by design and measured at characterization              |
| <b>Thermal Shutdown</b>                   |                  |             |         |            |                 |  |
| Thermal Shutdown Threshold                | $T_{SD}$         | —           | 160     | —          | $^\circ C$      | $T_J$ Rising ( <b>Note 2</b> )   |
| Thermal Shutdown Hysteresis               | $T_{SD\_HYS}$    | —           | 20      | —          | $^\circ C$      | <b>Note 2</b>  |

**Note 1:** Specification for packaged product only.

**2:** Ensured by design and characterization. Not production tested.

**3:** Measured in Test mode.

**4:** The maximum duty cycle is limited by the fixed mandatory off-time of typically 360 ns.

**5:** Limited by maximum junction temperature  $T_J = +125^\circ C$ .



## TEMPERATURE SPECIFICATIONS

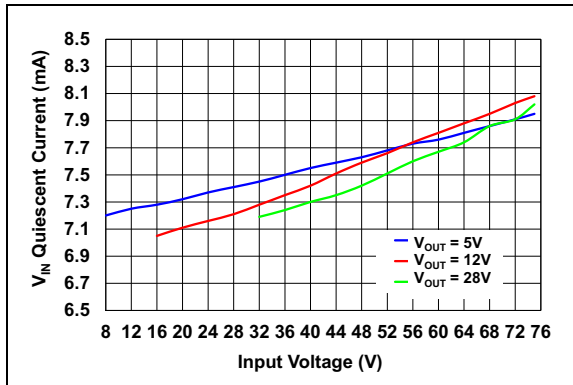
| Parameters                                    | Symbol          | Min. | Typ. | Max. | Units | Conditions             |
|---|-----------------|------|------|------|-------|------------------------|
| <b>Temperature Ranges</b>                     |                 |      |      |      |       |                        |
| Operating Junction Temperature Range          | $T_J$           | -40  | —    | +125 | °C    | <a href="#">Note 1</a> |
| Maximum Junction Temperature                  | $T_{J(ABSMAX)}$ | —    | —    | +150 | °C    | —                      |
| Storage Temperature                           | $T_S$           | -65  | —    | +150 | °C    | —                      |
| Lead Temperature                              | $T_{LEAD}$      | —    | —    | +300 | °C    | Soldering, 10s         |
| <b>Package Thermal Resistance</b>             |                 |      |      |      |       |                        |
| Thermal Resistance, 5 mm x 5 mm, 32-Lead VQFN | $\theta_{JC}$   | —    | 2    | —    | °C/W  | Junction to Case       |
| Thermal Resistance, 5 mm x 5 mm, 32-Lead VQFN | $\theta_{JA}$   | —    | 34   | —    | °C/W  | Junction to Ambient    |

**Note 1:** The maximum allowable power dissipation is a function of ambient temperature, the maximum allowable junction temperature and the thermal resistance from junction to air (i.e.,  $T_A$ ,  $T_J$ ,  $\theta_{JA}$ ). Exceeding the maximum allowable power dissipation will cause the device operating junction temperature to exceed the maximum +125°C rating. Sustained junction temperatures above +125°C can impact the device reliability.

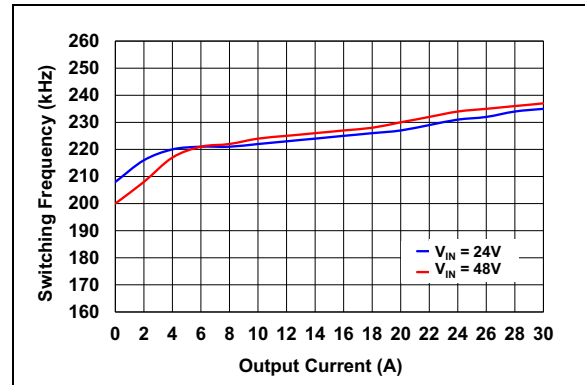
## 2.0 TYPICAL PERFORMANCE CURVES

**Note:** The graphs and tables provided following this note are a statistical summary based on a limited number of samples and are provided for informational purposes only. The performance characteristics listed herein are not tested or guaranteed. In some graphs or tables, the data presented may be outside the specified operating range (e.g., outside specified power supply range) and, therefore, outside the warranted range.

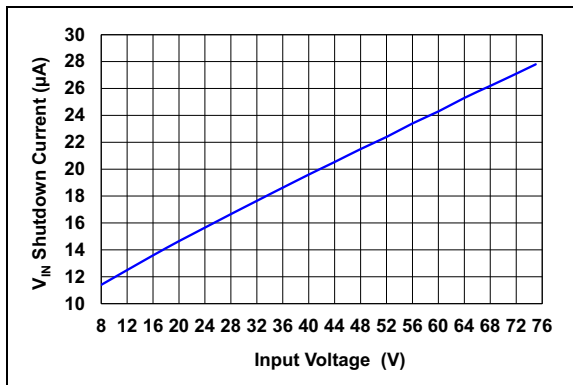
**Note:** Unless otherwise indicated,  $V_{IN} = 12V$ ;  $V_{OUT} = 5V$ ;  $f_{SW} = 500\text{ kHz/phase}$ ;  $V_{BST} - V_{SW} = 5V$ ;  $T_A = +25^\circ\text{C}$ .



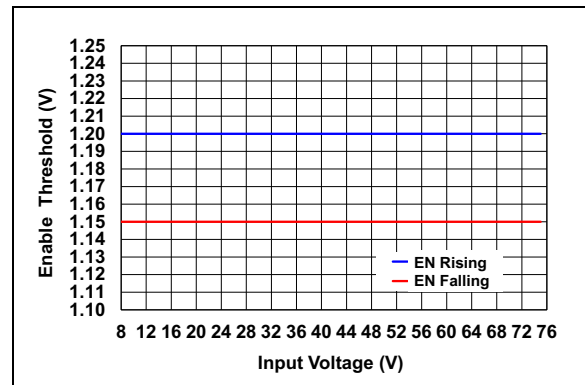
**FIGURE 2-1:**  $V_{IN}$  Quiescent Current vs. Input Voltage.



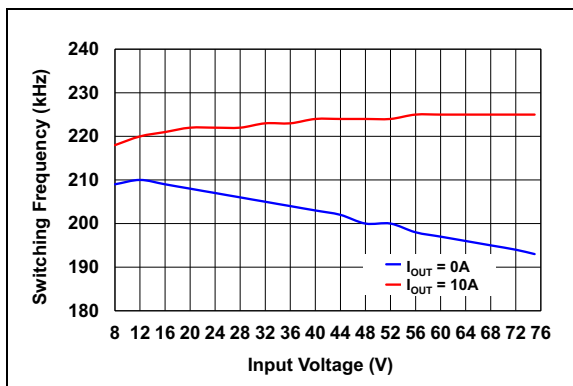
**FIGURE 2-4:** Switching Frequency vs. Output Current.



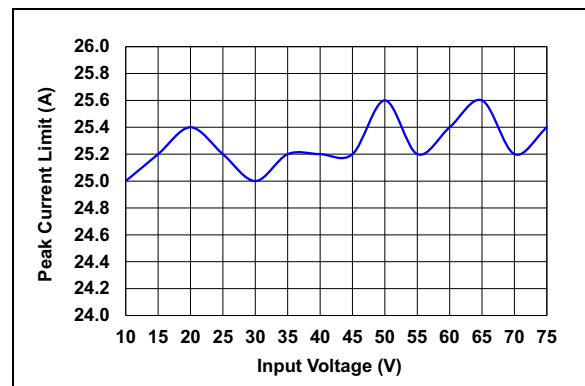
**FIGURE 2-2:**  $V_{IN}$  Shutdown Current vs. Input Voltage.



**FIGURE 2-5:** Enable Threshold vs. Input Voltage.

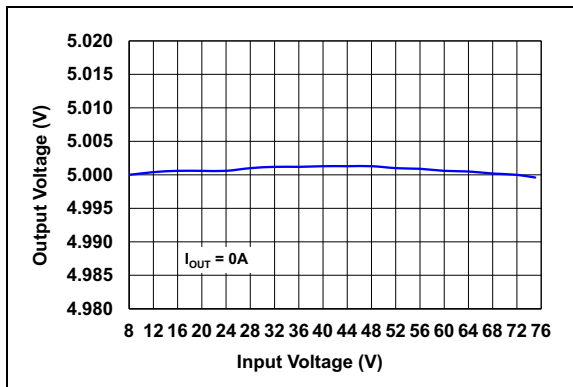


**FIGURE 2-3:** Switching Frequency vs. Input Voltage.

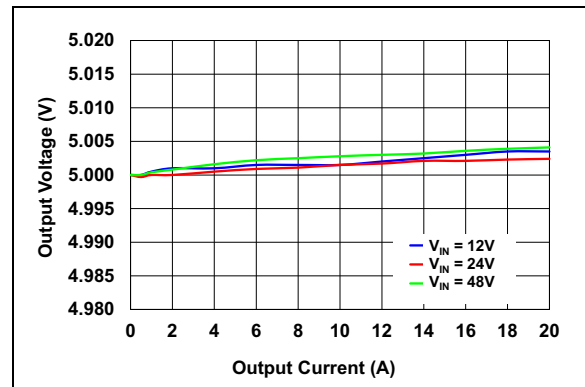


**FIGURE 2-6:** Peak Current Limit vs. Input Voltage.

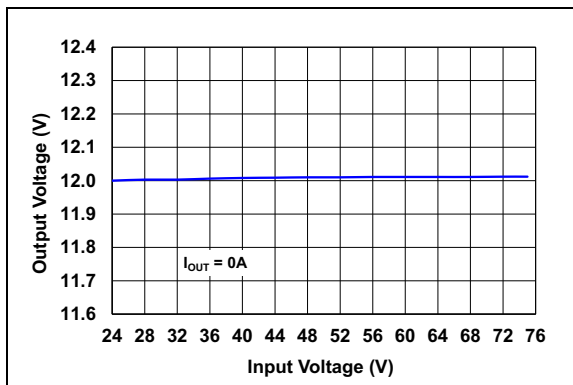
**Note:** Unless otherwise indicated,  $V_{IN} = 12V$ ;  $V_{OUT} = 5V$ ;  $f_{SW} = 500$  kHz/phase;  $V_{BST} - V_{SW} = 5V$ ;  $T_A = +25^\circ C$ .



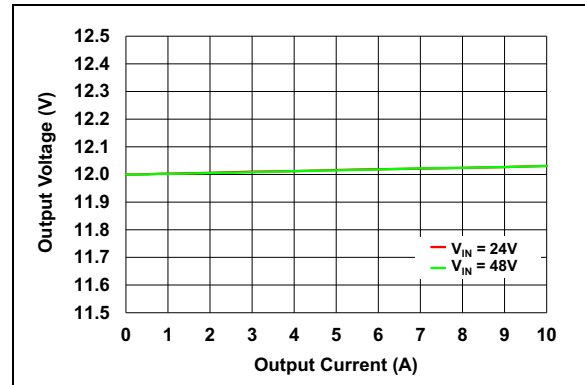
**FIGURE 2-7:** Line Regulation  
( $V_{OUT} = 5V$ ).



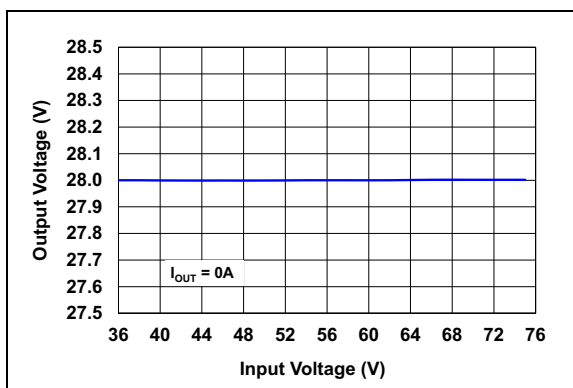
**FIGURE 2-10:** Load Regulation  
( $V_{OUT} = 5V$ ).



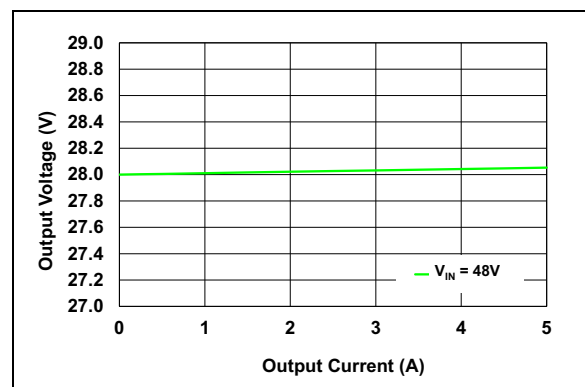
**FIGURE 2-8:** Line Regulation  
( $V_{OUT} = 12V$ ).



**FIGURE 2-11:** Load Regulation  
( $V_{OUT} = 12V$ ).

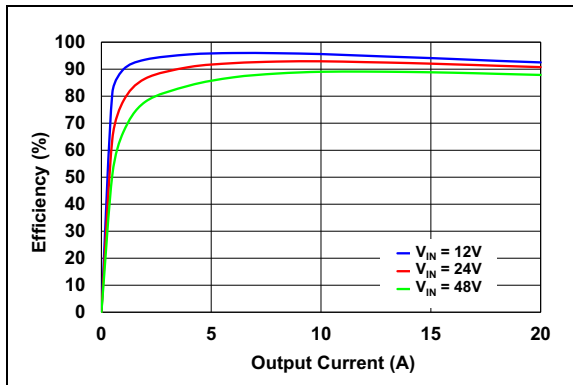


**FIGURE 2-9:** Line Regulation  
( $V_{OUT} = 28V$ ).

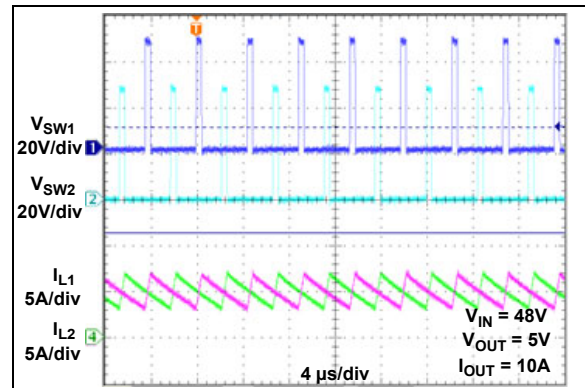


**FIGURE 2-12:** Load Regulation  
( $V_{OUT} = 28V$ ).

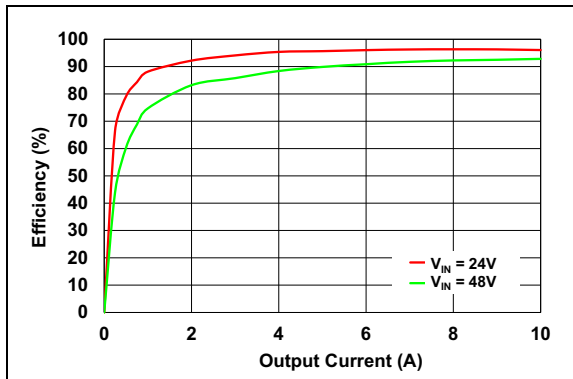
**Note:** Unless otherwise indicated,  $V_{IN} = 12V$ ;  $V_{OUT} = 5V$ ;  $f_{SW} = 500$  kHz/phase;  $L_1 = L_2 = 4.7$   $\mu$ H;  $R_{LIM} = 63.4$  k $\Omega$ ; HS-FETs (Q1,Q3) = N-ch 80V 30A 24 m $\Omega$ ; LS-FETs (Q2,Q4) = N-ch 80V 46A 16 m $\Omega$ ;  $V_{BST} - V_{SW} = 5V$ ;  $T_A = +25^\circ$ C.



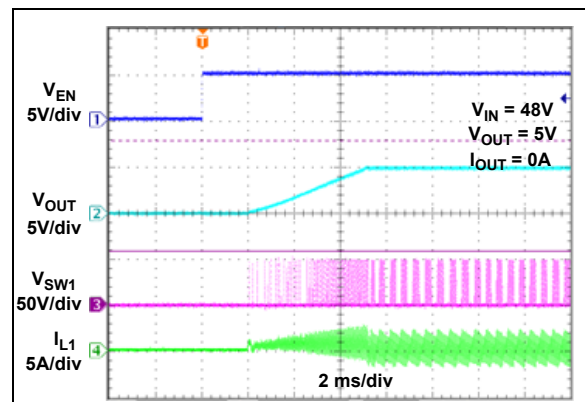
**FIGURE 2-13:** Efficiency vs. Output Current ( $V_{OUT} = 5V$ ).



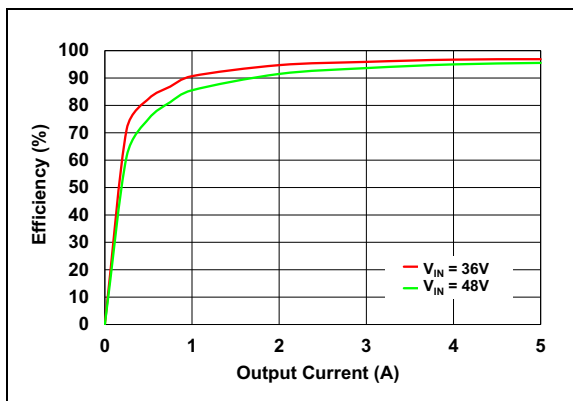
**FIGURE 2-16:** Switching Waveforms Phasing ( $V_{OUT} = 5V$ ,  $I_{OUT} = 10A$ ).



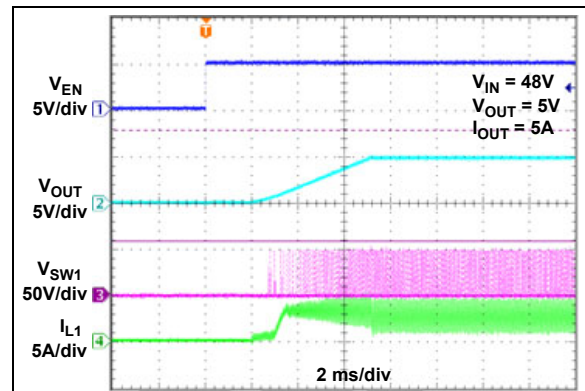
**FIGURE 2-14:** Efficiency vs. Output Current ( $V_{OUT} = 12V$ ).



**FIGURE 2-17:** Soft Start with Enable ( $V_{OUT} = 5V$ ,  $I_{OUT} = 0A$ ).

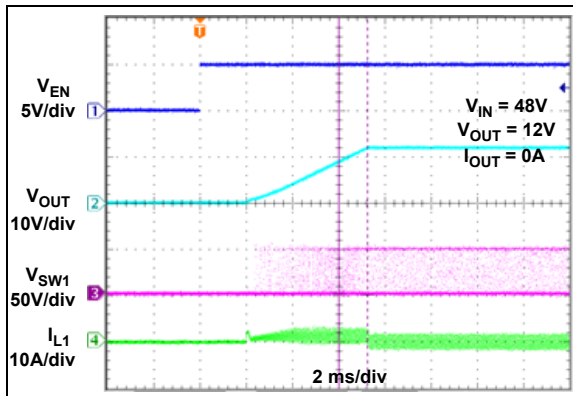


**FIGURE 2-15:** Efficiency vs. Output Current ( $V_{OUT} = 28V$ ).

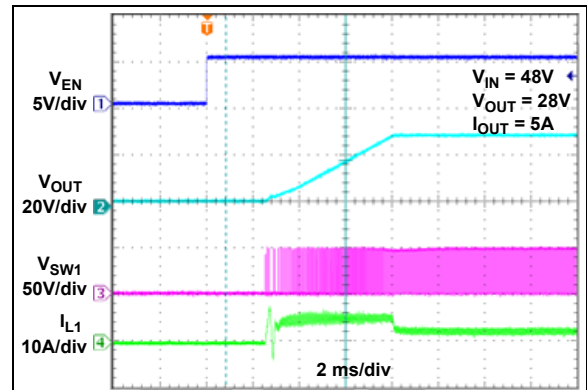


**FIGURE 2-18:** Soft Start with Enable ( $V_{OUT} = 5V$ ,  $I_{OUT} = 5A$ ).

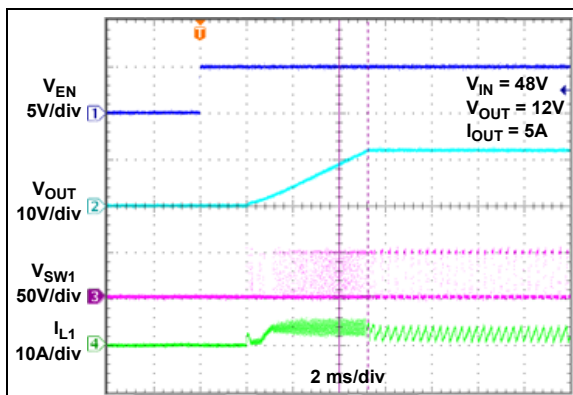
**Note:** Unless otherwise indicated,  $V_{IN} = 12V$ ;  $V_{OUT} = 5V$ ;  $f_{SW} = 500$  kHz/phase;  $L_1 = L_2 = 4.7$   $\mu$ H;  $R_{LIM} = 63.4$  k $\Omega$ ; HS-FETs (Q1,Q3) = N-ch 80V 30A 24 m $\Omega$ ; LS-FETs (Q2,Q4) = N-ch 80V 46A 16 m $\Omega$ ;  $V_{BST} - V_{SW} = 5V$ ;  $T_A = +25^\circ$ C.



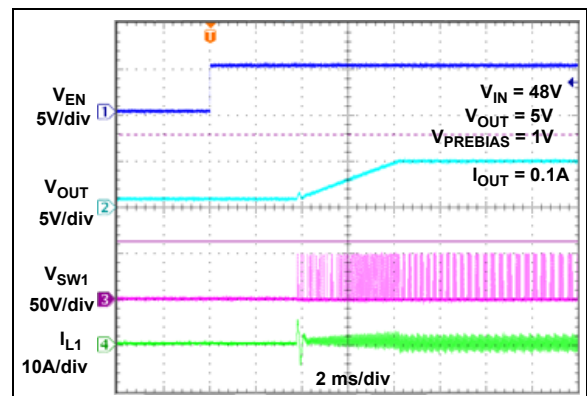
**FIGURE 2-19:** Soft Start with Enable ( $V_{OUT} = 12V$ ,  $I_{OUT} = 0A$ ).



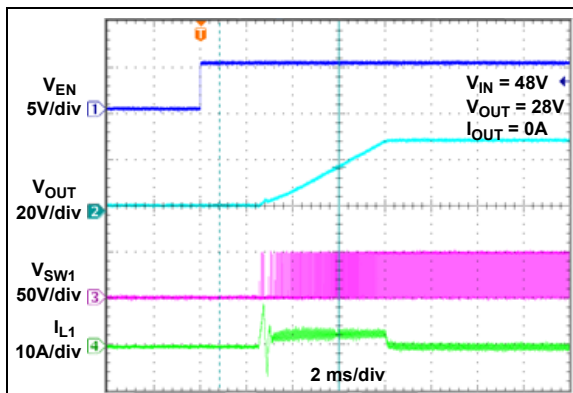
**FIGURE 2-22:** Soft Start with Enable ( $V_{OUT} = 28V$ ,  $I_{OUT} = 5A$ ).



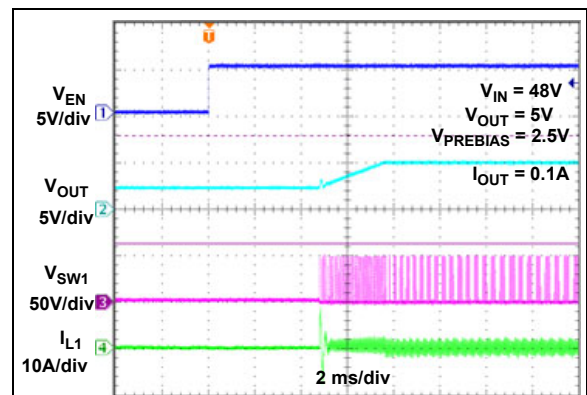
**FIGURE 2-20:** Soft Start with Enable ( $V_{OUT} = 12V$ ,  $I_{OUT} = 5A$ ).



**FIGURE 2-23:** Pre-Bias Start-Up ( $V_{PREBIAS} = 1V$ ,  $I_{OUT} = 0.1A$ ).

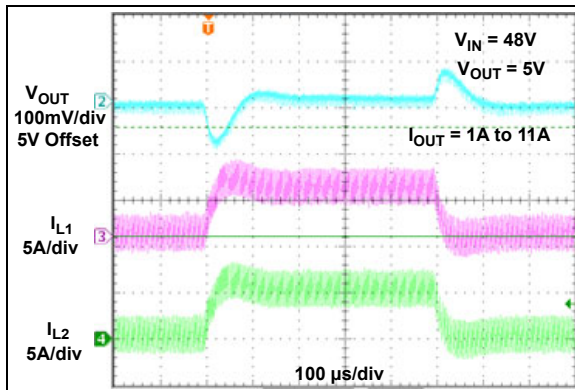


**FIGURE 2-21:** Soft Start with Enable ( $V_{OUT} = 28V$ ,  $I_{OUT} = 0A$ ).

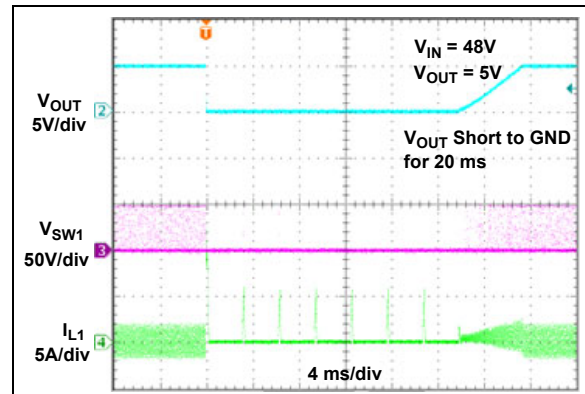


**FIGURE 2-24:** Pre-Bias Start-Up ( $V_{PREBIAS} = 2.5V$ ,  $I_{OUT} = 0.1A$ ).

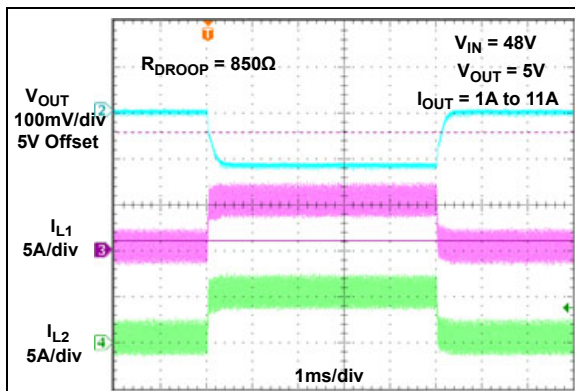
**Note:** Unless otherwise indicated,  $V_{IN} = 12V$ ;  $V_{OUT} = 5V$ ;  $f_{SW} = 500$  kHz/phase;  $L_1 = L_2 = 4.7$   $\mu H$ ;  $R_{LIM} = 63.4$  k $\Omega$ ; HS-FETs (Q1,Q3) = N-ch 80V 30A 24 m $\Omega$ ; LS-FETs (Q2,Q4) = N-ch 80V 46A 16 m $\Omega$ ;  $V_{BST} - V_{SW} = 5V$ ;  $T_A = +25^\circ C$ .



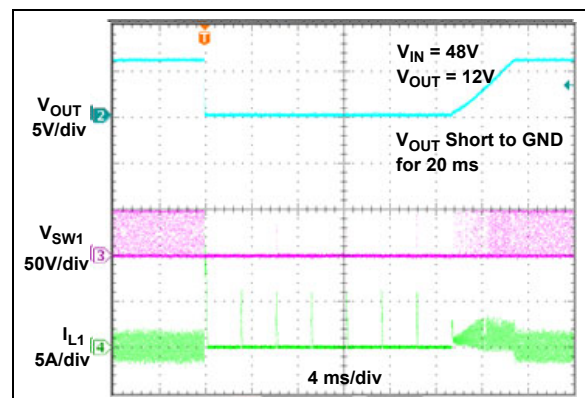
**FIGURE 2-25:** Load Transient without Droop ( $V_{OUT} = 5V$ ,  $I_{OUT} = 1A$  to  $11A$ ).



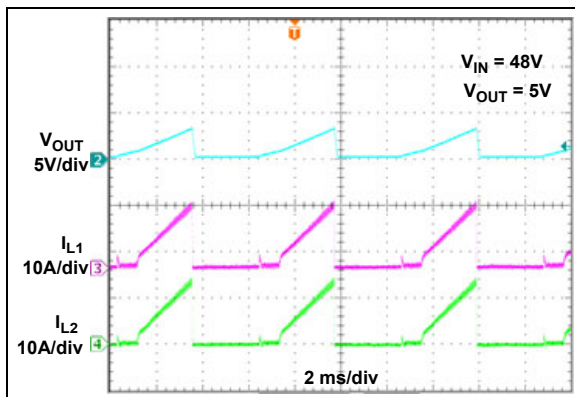
**FIGURE 2-28:** Output Short-Circuit Protection and Recovery ( $V_{OUT} = 5V$ ).



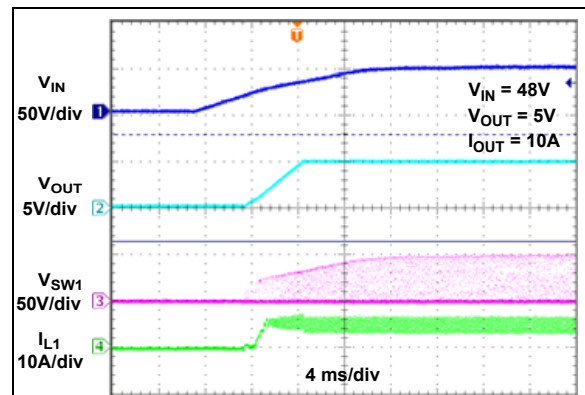
**FIGURE 2-26:** Load Transient with Droop ( $V_{OUT} = 5V$ ,  $I_{OUT} = 1A$  to  $11A$ ).



**FIGURE 2-29:** Output Short-Circuit Protection and Recovery ( $V_{OUT} = 12V$ ).

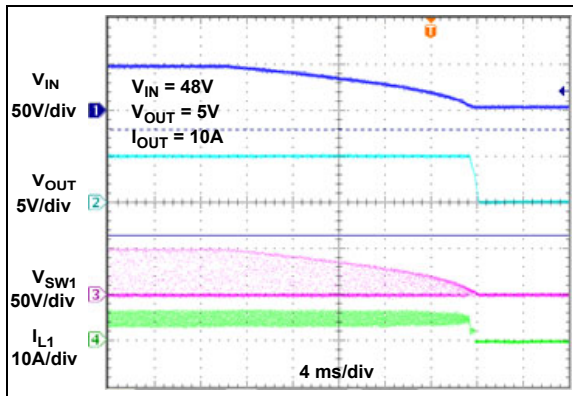


**FIGURE 2-27:** Current Limit per Phase.

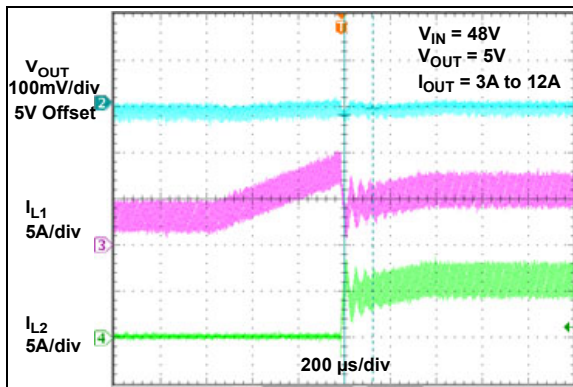


**FIGURE 2-30:** Power-Up with  $V_{IN}$  and  $10A$  Load.

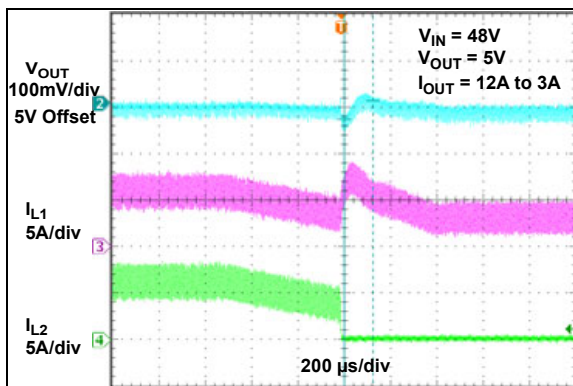
**Note:** Unless otherwise indicated,  $V_{IN} = 12V$ ;  $V_{OUT} = 5V$ ;  $f_{SW} = 500$  kHz/phase;  $L_1 = L_2 = 4.7$   $\mu$ H;  $R_{LIM} = 63.4$  k $\Omega$ ; HS-FETs (Q1,Q3) = N-ch 80V 30A 24 m $\Omega$ ; LS-FETs (Q2,Q4) = N-ch 80V 46A 16 m $\Omega$ ;  $V_{BST} - V_{SW} = 5V$ ;  $T_A = +25^\circ$ C.



**FIGURE 2-31:** Power-Down with  $V_{IN}$  and 10A Load.



**FIGURE 2-32:** Phase Shedding Off to On.



**FIGURE 2-33:** Phase Shedding On to Off.

## 3.0 PIN DESCRIPTIONS

The descriptions of the pins are listed in the following table.

**TABLE 3-1: PIN FUNCTION TABLE**

| Pin Number | Symbol | Description  |
|------------|--------|--|
| 1          | CSN2   | Current Sense Return pin for Phase 2. Connect Kelvin connection from the low-side FET source to CSN2 to avoid ground drops due to high current.  |
| 2          | CSP2   | Current Sense Positive pin for Phase 2. Connect Kelvin connection from the low-side FET drain to CSP2 to avoid ground drops due to high current.   |
| 3          | CSN1   | Current Sense Return pin for Phase 1. Connect Kelvin connection from the low-side FET source to CSN1 to avoid ground drops due to high current.  |
| 4          | CSP1   | Current Sense Positive pin for Phase 1. Connect Kelvin connection from the low-side FET drain to CSP1 to avoid ground drops due to high current.   |
| 5          | ILIM   | Current Limit Adjust Input pin. Connect a resistor from ILIM to AGND to set the current limit. Refer to <a href="#">Section 4.5.4 “Current Limit”</a> for more details. Both channels share the same current limit threshold.  |
| 6          | CSH    | Average Current Sense Voltage Output pin. Used for current sharing; see <a href="#">Section 4.5.1 “Current Balancing between Phases”</a> , <a href="#">Section 4.5.11 “Adaptive Voltage Positioning (AVP), Also Known as Droop Function (Recommended for CCM Only)”</a> and <a href="#">Section 4.5.13 “Telemetry Knobs”</a> . Connect 100 pF from CSH to AGND.    |
| 7          | EN     | Active-High Enable Input pin. 75V compatible with 1.2V precise threshold. Pull EN to GND to disable the buck converter output. Connect to VIN for always-on operation. EN can be used for power sequencing and as a UVLO adjustment input. For a precision UVLO, put an appropriate sized resistor divider from VIN to AGND and tie the midpoint to the EN pin.    |
| 8          | VIN    | Input Voltage to Controller pin. Connect to VIN through 1.21Ω resistor. Connect 1 μF capacitor from this pin to PGND.  |
| 9          | VDD    | 5V LDO Output pin. Bias supply for the MIC2133 control logic circuit. Connect a minimum 2.2 μF low-ESR ceramic capacitor from VDD to AGND.   |
| 10         | AGND   | Analog Ground pin. Reference node for all control logic circuits inside the MIC2133. Connect AGND to PGND at one point.  |
| 11         | EXTVDD | Auxiliary LDO Input pin. Connect to a supply higher than 4.7V (typ.) to bypass the internal high-voltage 5V LDO or leave unconnected/connect to ground when the EXTVDD pin is not used. Connect a 2.2 μF low-ESR ceramic capacitor between EXTVDD and AGND. EXTVDD can be connected to an external supply.   |
| 12         | PSH    | Phase Shedding Threshold Programming pin. Connect a resistor from PSH to AGND. The voltage drop across the resistor decides the phase shedding threshold.  |
| 13         | TEMP   | Die Junction Temperature Sense Output pin from Internal Diode. Connect a 1 μF capacitor from the TEMP pin to AGND.   |
| 14         | OUTS   | Output Voltage Sense pin. It is required to connect the OUTS pin to output through a 10 kΩ resistor and decouple to ground with a 100 nF capacitor for $V_{OUT} \leq 5V$ . For $V_{OUT} > 5V$ , it is required to connect the OUTS pin through a resistive divider from $V_{OUT}$ to AGND. The OUTS pin will set the correct frequency adaptive to output voltage. |
| 15         | DR     | Gate Driver Output pin for Output OVP Discharge MOSFET. One single event of overvoltage over the OVP upper threshold for a duration longer than 12 μs sets DR = High. The MIC2133 has to be restarted by EN or VIN cycling.  |
| 16         | BST1   | Phase 1 Bootstrap Capacitor Connection pin. BST1 pin is the supply voltage input for the Phase 1 high-side MOSFET driver. Connect a 0.1 μF low-ESR ceramic capacitor between the BST1 pin and the SW1 pin.   |
| 17         | DH1    | Phase 1 High-Side Gate Driver Output pin. Connect DH1 to the Phase 1 high-side MOSFET gate.  |
| 18         | SW1    | Phase 1 Switch Node Output pin. Connect one terminal of the Phase 1 inductor to the SW1 node.  |



**TABLE 3-1: PIN FUNCTION TABLE (CONTINUED)**

| Pin Number | Symbol  | Description  |
|------------|---------|--|
| 19         | DL1     | Phase 1 Low-Side Gate Driver Output pin. Connect DL1 to the Phase 1 low-side MOSFET gate.  |
| 20         | PGND    | Power Ground pin. PGND is the return path for the low-side MOSFET current and for the low-side MOSFET driver. Connect all the PGND pins together and connect to the power ground plane.  |
| 21         | PVDD    | PVDD is Supply pin for Low-Side MOSFET Driver. Connect to VDD through 2.2Ω series resistor. Connect a minimum 4.7 μF low-ESR ceramic capacitor from PVDD to PGND.  |
| 22         | DL2     | Phase 2 Low-Side Gate Driver Output pin. Connect DL2 to Phase 2 low-side MOSFET gate.  |
| 23         | SW2     | Phase 2 Switch Node Output pin. Connect one terminal of the Phase 2 inductor to the SW2 node.  |
| 24         | DH2     | Phase 2 High-Side Gate Driver Output pin. Connect DH2 to the Phase 2 high-side MOSFET gate.  |
| 25         | BST2    | Phase 2 Bootstrap Capacitor Connection pin. The BST2 pin is the supply voltage input for the phase 2 high-side MOSFET driver. Connect a 0.1 μF low-ESR ceramic capacitor between the BST2 pin and the SW2 pin.   |
| 26         | PG      | Open-Drain Power Good Output pin. PG is pulled to ground when the output voltage is below 80% of the target voltage. Pull-up to VDD through a 10 kΩ resistor to set logic to a high level when the output voltage is above 90% of the target voltage.                |
| 27         | RIP_INJ | Ripple Injection Node pin. Connect series RC network from the RIP_INJ pin to FBS for injecting sufficient ripple for stable operation. Also connect a preposition resistor from this pin to AGND to set the RIP_INJ pin voltage to its steady-state value.           |
| 28         | FBS     | Remote Feedback Input pin. Connect to midpoint of a resistor divider from output voltage to GFB to set the desired output voltage.   |
| 29         | GFB     | Ground Feedback Remote Sense pin. Connect Kelvin sense directly across the output capacitor ground through the low-side FB resistor ground connection.   |
| 30         | SS      | Soft Start Adjustment pin. Connect a capacitor from the SS pin to AGND to adjust soft start time. See more details in <a href="#">Section 4.5.7 “Soft Start”</a> .   |
| 31         | FREQ    | Frequency Programming Input pin. Connect to ground through resistor set to the same switching frequency for each phase.  |
| 32         | DROOP   | Analog Output DROOP pin. This pin is for implementing the “Adaptive Voltage Positioning” feature. Connect a resistor from the DROOP pin to the feedback resistor divider. The DROOP voltage is proportional with inductor current for load currents greater than 0A. |
| —          | EP      | Exposed Pad pin. Connect it to AGND.   |

## 4.0 FUNCTIONAL DESCRIPTION

### 4.1 Control Architecture

The MIC2133 is an adaptive on-time, dual phase, synchronous step-down DC/DC controller. It is designed to operate over a wide 8V to 75V input voltage range and provides a regulated output voltage. An adaptive on-time control scheme is employed in order to obtain a constant switching frequency and simplify the control compensation.

The MIC2133 has a differential remote sense amplifier with unity gain for sensing output voltage. The differential remote sense amplifier helps regulate the output voltage at target level, over the entire load range, by avoiding parasitic voltage drops on the PCB. The output of the differential amplifier will be used as output voltage to the controller. The output voltage is sensed across the MIC2133 device's feedback remote sense FBS pin and the ground feedback remote sense GFB pin via the voltage divider, and compared to a 0.6V reference voltage  $V_{REF}$  at a low-gain transconductance ( $g_m$ ) amplifier. The output of the  $g_m$  amplifier,  $V_{gm}$ , is, then, further compared with another 1.2V reference,  $V_{REF\_COM}$ , at the error comparator. If the feedback voltage decreases and the output of the  $g_m$  amplifier is below 1.2V, then the error comparator will trigger the control logic and generate an on-time period. The on-time period length is predetermined by the  $T_{ON1}$  and  $T_{ON2}$  generation circuitries for Phase 1 and Phase 2, respectively.

#### EQUATION 4-1:

$$T_{ON(EST)} = \frac{V_{OUT}}{V_{IN} \times f_{SW}}$$

Where:

$V_{OUT}$  = Output Voltage

$V_{IN}$  = Power Stage Input Voltage

$f_{SW}$  = Switching Frequency of Each Phase

The internal logic starts maintaining the same switching frequency and phasing for each phase (180° for two phases).

Figure 4-1 shows the MIC2133 control loop timing during steady-state operation. During steady-state operation, the  $g_m$  amplifier senses the feedback voltage ripple, which is proportional to the output voltage ripple and the external ripple from the RIP\_INJ pin, injected to the FBS node at the turn-on instant of each phase. When the output of the  $g_m$  error amplifier falls below the reference voltage, the on-time period is triggered. The on-time of Phase 1 is determined by the  $T_{ON1}$  generator. The Phase 1  $T_{ON1}$  generator also includes the current sharing error between phases. The Phase 1 high-side driver turns on the Phase 1 high-side FET during  $T_{ON1}$ .

The Phase 1 high-side FET turn-off instant depends on both the  $T_{ON}$  estimation and current sharing error. At the end of Phase 1  $T_{ON1}$ , the internal high-side driver turns off the Phase 1 high-side FET and the low-side driver turns on the Phase 1 low-side FET. The Phase 1 off-time period length depends upon the feedback voltage error in the next cycle for Phase 1. When the output of the  $g_m$  error amplifier falls below the reference voltage in the second cycle, the Phase 2 on-time period is triggered. The on-time of Phase 2 is determined by the  $T_{ON2}$  generator. The Phase 2  $T_{ON2}$  generator also includes the current sharing error between phases. The Phase 2 high-side driver turns on the Phase 2 high-side FET during  $T_{ON2}$ . The high-side FET turn-off instant depends on both the  $T_{ON}$  estimation and current sharing error. At the end of Phase 2  $T_{ON2}$ , the internal high-side driver turns off the Phase 2 high-side FET and the low-side driver turns on the Phase 2 low-side FET. The duration of the Phase 2 off-time period depends upon the feedback voltage error in the next Phase 2 cycle. The above cycles repeat in a daisy-chain ring, and both phases support the load current alternately and maintain output voltage. In steady-state operation,  $T_{ON1} = T_{ON2}$ ,  $T_{OFF1} = T_{OFF2}$  and this way, the resulting phase difference is 180 degrees.

If the off-time period determined by the feedback voltage is less than the Minimum Off-Time,  $T_{OFF(MIN)}$ , which is about 360 ns, then the MIC2133 control logic will apply the  $T_{OFF(MIN)}$  instead to either phase. The minimum  $T_{OFF(MIN)}$  period is required to maintain enough energy in the Boost Capacitor ( $C_{BST}$ ) to drive the high-side MOSFET.

The maximum duty cycle is obtained from the 360 ns  $T_{OFF(MIN)}$ :

#### EQUATION 4-2:

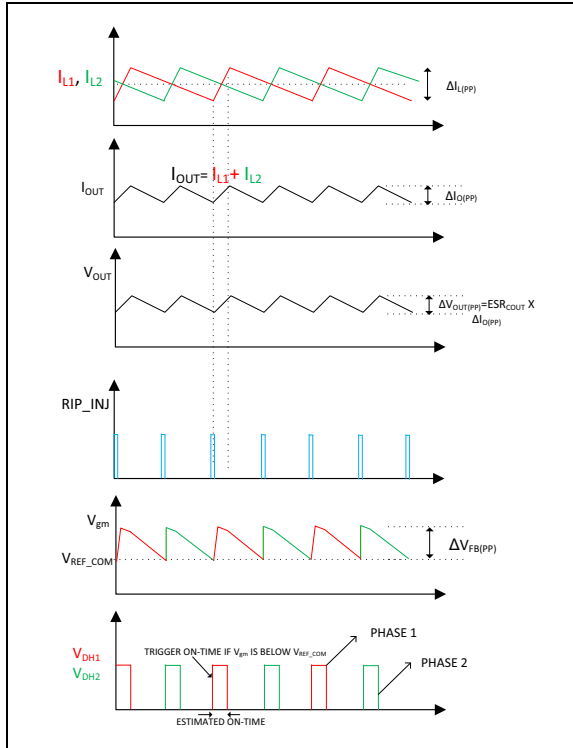
$$D_{MAX} = \frac{T_S - T_{OFF(MIN)}}{T_S} = 1 - \frac{360 \text{ ns}}{T_S}$$

Where:

$$T_S = 1/f_{SW}$$

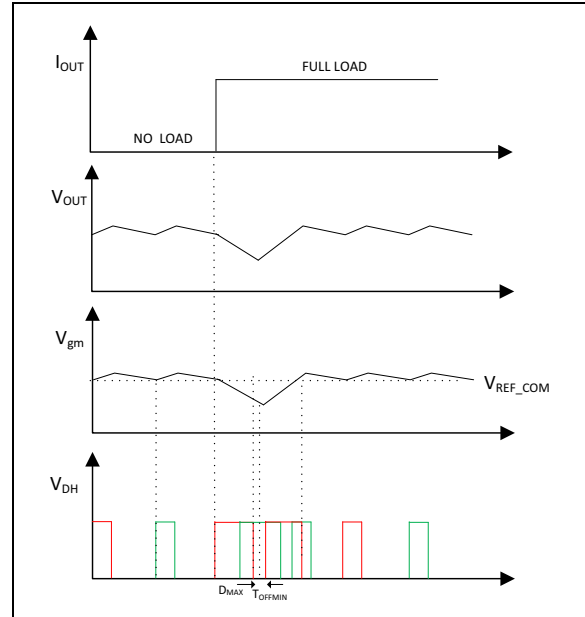
It is not recommended to use the MIC2133 with an off-time close to  $T_{OFF(MIN)}$  during steady-state operation. It is recommended that Equation 4-2 be used to choose the  $T_S$  for a lower switching frequency when the  $D_{MAX}$  is reached if  $V_{IN}$  is very close to  $V_{OUT}$ , knowing that the buck converter duty cycle equals  $V_{OUT}$  divided by  $V_{IN}$ .

The actual on-time and the resulting switching frequency will vary with the part-to-part variation in the rise and fall times of the external MOSFETs, the output load current and the variations in the  $V_{DD}$  voltage. Also, the minimum  $T_{ON}$  results in a lower switching frequency in high  $V_{IN}$  to  $V_{OUT}$  applications, such as 28V to 1.0V.

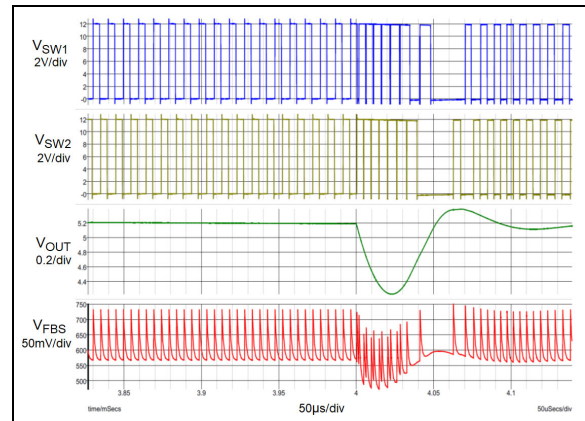


**FIGURE 4-1:** Steady-State Operation (FB Ripple Shows Injected and ESR Ripple Only, Reactive Impedances Neglected).

Figure 4-2 shows the operation of the MIC2133 during load transient. The output voltage drops due to the sudden load increase, which causes the  $V_{FB}$  to decrease and the output voltage of the  $g_m$  amplifier,  $V_{gm}$ , to be less than  $V_{REF\_COM}$ . This will cause the error comparator to trigger an on-time period. At the end of the on-time period, a Minimum Off-Time,  $T_{OFF(MIN)}$ , is generated to charge  $C_{BST}$  because the feedback voltage is still below  $V_{REF}$ . Then, the next on-time period is triggered and applies  $D_{MAX}$  due to the low feedback voltage. Therefore, the switching frequency changes during the load transient to deliver  $D_{MAX}$  and zero duty cycle when the high-current load disappears for both phases, but returns to the nominal fixed frequency once the output has stabilized at the new load current level. With the varying duty cycle and switching frequency, the output recovery time is fast and the output voltage deviation is small in the MIC2133 converter. The phases will overlap during load transient until the output voltage error is corrected. The transient response is shown in Figure 4-3.



**FIGURE 4-2:** MIC2133 Load Transient Response Timing.

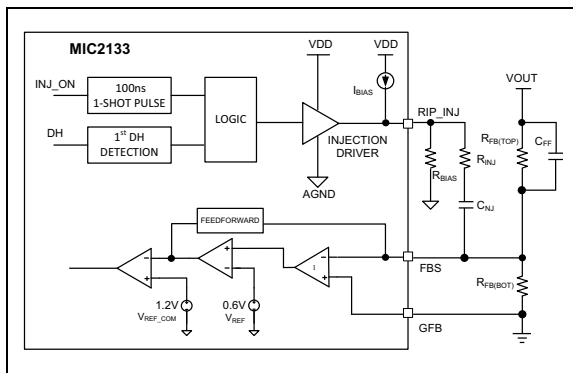


**FIGURE 4-3:** MIC2133 Load Transient Response.

Unlike true Current-mode control, the MIC2133 uses the output voltage ripple to trigger an on-time period. The output voltage ripple is proportional to the inductor current ripple if the ESR of the output capacitor is large enough. To meet the stability requirements, the MIC2133 feedback voltage ripple must be in phase with the inductor current ripple, and large enough to be sensed by the  $g_m$  amplifier and the error comparator. The recommended feedback voltage ripple is 20 mV ~ 100 mV. If a low-ESR output capacitor is selected, then the feedback voltage ripple may be too small to be sensed by the  $g_m$  amplifier and the error comparator. Also, the output voltage ripple and the feedback voltage ripple are not necessarily in phase with the inductor current ripple if the ESR of the output capacitor is very low. In these cases, ripple injection is required to ensure proper operation.

## 4.2 Start-up Into Pre-Bias Load

To get proper pre-bias start-up performance, the voltage at the junction of  $C_{INJ}$  and  $R_{INJ}$  needs to be at its steady-state value when the device starts switching. This is done by biasing the RIP\_INJ pin voltage using a current source ( $I_{BIAS}$ ) at the RIP\_INJ pin and a resistor ( $R_{BIAS}$ ) at the RIP\_INJ pin before the device starts switching. The Injection (INJ) driver will be in High-Impedance mode before the device starts switching. This results in a voltage equal to  $I_{BIAS} \times R_{BIAS}$  at the RIP\_INJ pin before switching starts. This voltage charges the  $C_{INJ}$  cap to the value of  $I_{BIAS} \times R_{BIAS}$ . As the  $C_{INJ}$  takes time to charge to the final voltage, depending on the  $C_{INJ} \times (R_{INJ} + R_{FB(BOT)})$ , the  $I_{BIAS}$  must be enabled before the switching starts. The MIC2133 has a POK delay of  $\approx 4$  ms (i.e., when EN is high, the device starts switching after  $\approx 4$  ms). Therefore, this 4 ms delay is enough to charge  $C_{INJ}$  to the final value. Once the device starts switching, the  $I_{BIAS}$  will no longer have any effect, as the INJ driver will be either high or low (the INJ driver will not be in High-Impedance mode when the device starts switching).



**FIGURE 4-4:** Circuit to Obtain Proper Pre-Bias Start-Up Performance and Ripple Injection.

$I_{BIAS}$  is an internal current source.  $R_{BIAS}$  is an external resistor from RIP\_INJ to AGND.  $R_{BIAS}$  can be calculated using the formula below:

### EQUATION 4-3:

$$R_{BIAS} = \frac{5V \times 100 \text{ ns} \times f_{SW}}{I_{BIAS}}$$

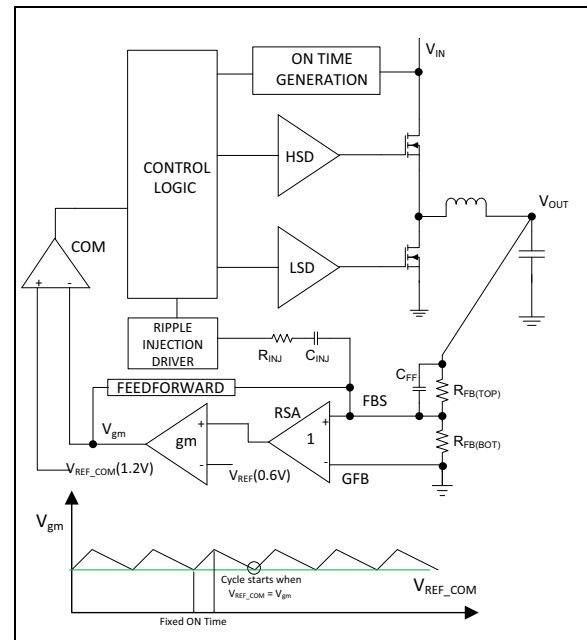
Where:

$$5V \times 100 \text{ ns} \times f_{SW} = \text{Average Voltage on the RIP\_INJ Pin}$$

Note that as  $R_{BIAS}$  is always present, it draws an additional current from the injection driver when the RIP\_INJ pin is 5V for 100 ns. This adds to the device's  $I_Q$ . However, its contribution to the device's  $I_Q$  will be low, because this current will be present for 100 ns only. Another thing to note is that the INJ driver must be capable of supplying this additional current.

## 4.3 Stability Analysis

The MIC2133 uses ripple-based constant on-time architecture to generate switching pulses. The magnitude of the ripple needs to be in the range of 20 mV to 100 mV. To avoid ripple voltage variation with input voltage, the ripple voltage is injected from the third node through the RIP\_INJ pin. The figure below shows the ripple injection at the FBS node with respect to the reference voltage.



**FIGURE 4-5:** MIC2133 Ripple Injection at FBS Node.

The output capacitors generally have three components. The capacitive ripple lags the inductor current ripple. The ESR ripple is in phase with the inductor current. The ESR ripple effect is very minimal in low-voltage capacitors.

## 4.4 Ripple Injection Circuit Components Selection

Follow the steps below for selecting the ripple injection circuit components if low-ESR output capacitors are used. The below procedures provide a good starting point for selecting the ripple injection components. It is recommended that the final values be confirmed by laboratory measurements.

1. Calculate the product of  $R_{INJ}$  and  $C_{FF}$  for a given injected Feedback Ripple Voltage,  $\Delta V_{FB}$ , using the equation below. Choose  $\Delta V_{FB}$  in the range from 40 mV to 500 mV. A good starting point for  $\Delta V_{FB}$  is 50 mV.

### EQUATION 4-4:

$$R_{INJ} \times C_{FF} = \frac{5V \times 100ns}{\Delta V_{FB}}$$

Where:

$\Delta V_{FB}$  = Injected Feedback Ripple Voltage

2. Choose  $C_{FF}$  in the range from 0.47 nF to 10 nF.
3. Calculate  $R_{INJ}$  using the equation above.
4. Calculate the Top Feedback Resistor,  $R_{FB(TOP)}$ , value using the equation below:

### EQUATION 4-5:

$$R_{FB(TOP)} \geq \frac{1}{2 \times \pi \times C_{FF} \times 0.8 \times f_{LC}}$$

Where:

$f_{LC}$  = LC Resonant Frequency =  $1/(2 \times \pi \times \text{sqrt}(L \times C_{OUT}))$

5. Calculate the Bottom Feedback Resistor,  $R_{FB(BOT)}$ , value using the equation below:

### EQUATION 4-6:

$$R_{FB(BOT)} = \frac{R_{FB(TOP)}}{\left[ \frac{V_{OUT}}{V_{REF}} - 1 \right]}$$

Where:

$V_{OUT}$  = Target Output Voltage

$V_{REF}$  = Reference Voltage = 0.6V for MIC2133

6. Estimate the crossover frequency using the following equation. If  $f_{CO(EST)}$  is above  $f_{SW}/5$ , lower the  $C_{FF}$  value and repeat procedure 6.

### EQUATION 4-7:

$$f_{CO(EST)} = \frac{R_{INJ} \times C_{FF}}{\pi \times L \times C_{OUT}} \times \frac{V_{OUT} \times 10^6}{f_{SW}}$$

Where:

$L$  = Inductance

$C_{OUT}$  = Output Capacitance

$V_{OUT}$  = Output Voltage

$f_{SW}$  = Switching Frequency

- 7a) Select  $C_{INJ}$  using the below equation if  $f_{CO(EST)}$  calculated above meets [Equation 5-11](#).

### EQUATION 4-8:

$$C_{INJ} \geq \frac{1}{0.8 \times R_{INJ} \times f_{CO(EST)}}$$

Add a resistor in parallel with the soft start capacitor, connected to the SS pin, if  $C_{INJ} > C_{FF} \times (R_{FB(TOP)}/R_{FB(BOT)})$ .

This ensures that there is no overshoot at the end of the soft start. Use the equation below to select the parallel resistor value.

### EQUATION 4-9:

$$R_{SS} \geq \frac{0.8V}{I_{SS}}$$

Where:

$I_{SS}$  = Soft Start Current Source = 1.2  $\mu$ A

- 7b) Select  $C_{INJ}$  using the below guidelines if  $f_{CO(EST)}$  is low (typically below  $f_{SW}/15$ ) when  $f_{CO}$  is limited by the minimum  $\Delta V_{FB}$  required in lower  $V_{OUT}$  applications. Assume  $f_{CO} = f_{SW}/10$ . Calculate the maximum Equivalent Series Resistance (ESR) of the output capacitor using the following equation.

### EQUATION 4-10:

$$ESR_{COUT} \leq \frac{\Delta V_{OUT\_TRANS}}{\Delta I_{LOAD\_STEP}}$$

Where:

$\Delta I_{LOAD\_STEP}$  = Magnitude of the Load Transient

$\Delta V_{OUT\_TRANS}$  = Acceptable Output Voltage Deviation during Load Transient

Calculate the output capacitance using the following equation.

### EQUATION 4-11:

$$C_{OUT} \geq \frac{1}{\pi \times f_{CO} \times ESR_{COUT}}$$

Calculate  $C_{INJ}$  using the following equation.

## EQUATION 4-12:

$$C_{INJ} = C_{FF} \times \frac{ESR_{COUT}}{2 \times \pi \times f_{CO} \times L} \times \frac{V_{OUT}}{5V \times 100 \text{ ns} \times f_{SW}}$$

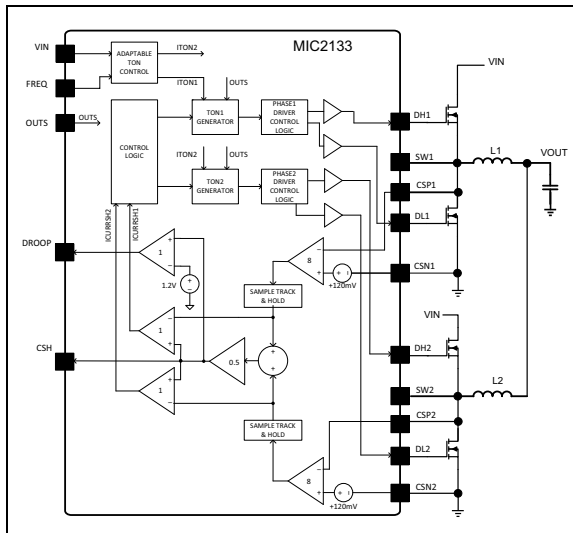
Using too low a  $C_{INJ}$  may result in oscillations at the beginning of the soft start. These oscillations can be reduced either by using a higher  $C_{INJ}$  or  $C_{OUT}$  by reducing the feedback ripple.

## 4.5 Detailed Device Description

### 4.5.1 CURRENT BALANCING BETWEEN PHASES

One important benefit of the two-phase operation is the thermal advantage gained by distributing the heat over multiple devices and a greater PCB area. By doing this, the system designer avoids the complexity of driving parallel MOSFETs and the expense of using expensive heatsinks.

To accomplish the thermal advantage, it is important that each phase carries the same amount of current at any load level. In the MIC2133, both phase currents are sensed across a low-side MOSFET,  $R_{DS(ON)}$ , during off-time. The low-side MOSFET current is tracked during off-time and held close to peak value in the valley point. The average current information is generated by summing all the phases' sensed currents and dividing by the number of phases (two for two phases). An error current per phase is generated by making the difference between the average current information and each phase current, which is used to modulate  $T_{ON1}$  and  $T_{ON2}$  to cancel the error in the current sharing.



**FIGURE 4-6:** MIC2133 Current Sharing Circuit.

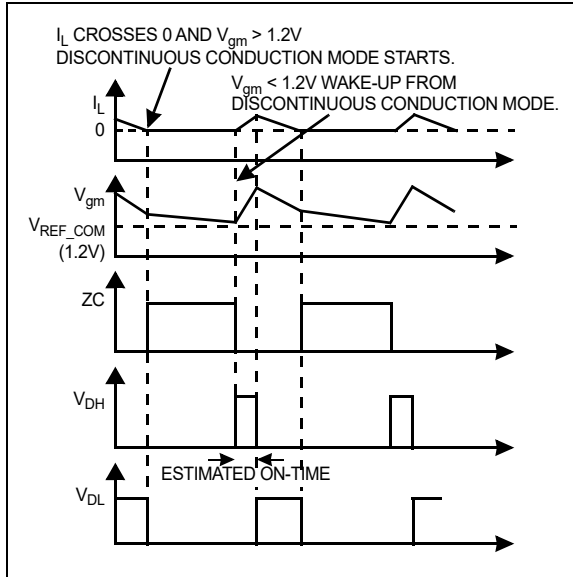
### 4.5.2 HyperLight Load (HLL) MODE

The MIC2133 always operates in Continuous Conduction Mode (CCM) and both phases support the load current equally at high loads. To operate the system at a higher efficiency, the MIC2133 will shed the Phase 2 when the load current drops below the programmed threshold level, below the full load current value. In CCM mode, the inductor current can go negative at light loads. However, at light loads, the MIC2133 is able to force the inductor current to operate in Discontinuous Conduction Mode (DCM) when it operates in HLL mode. In HLL mode, the efficiency is optimized by shutting down all the non-essential circuits and minimizing the supply current. The MIC2133 wakes up and turns on the high-side MOSFET when the Feedback Voltage,  $V_{FBS}$ , drops and  $V_{gm}$  is below  $V_{REF\_COM}$  (1.2V).

The MIC2133 has a Zero-Crossing (ZC Detection) comparator that monitors the inductor current by sensing the voltage drop across the low-side MOSFET during its on-time. If  $V_{gm} > V_{REF\_COM}$  and the inductor current goes slightly negative, the MIC2133 automatically powers down most of the IC circuitry and goes into a Low-Power mode.

Once the MIC2133 goes into DCM mode, both the high-side and low-side MOSFETs are kept in the OFF state. Then, the load current is supplied by the output capacitors and  $V_{OUT}$  drops. If the load current is sufficiently large, the drop of  $V_{OUT}$  causes  $V_{FBS}$  to drop and  $V_{gm}$  to go below  $V_{REF\_COM}$  (1.2V), and the high-side MOSFET is turned on for  $T_{ON}$ . Then, at the end of the  $T_{ON}$  period, the low-side MOSFET is turned on for  $T_{OFF}$  until the next  $T_{ON}$  starts because the inductor current during the low-side MOSFET on-time is larger than zero. Then, the cycle repeats and all the circuits wake-up into normal CCM mode. The following figure shows the control loop timing in DCM mode.

During DCM mode, the bias current of most circuits is reduced. As a result, the total power supply current during DCM mode is only about 400  $\mu$ A, allowing the MIC2133 to achieve high efficiency in light load applications.



**FIGURE 4-7:** MIC2133 Control Loop Timing in Discontinuous Conduction Mode.

### 4.5.3 PHASE SHEDDING

To achieve higher efficiency at lighter medium loads, the Phase 2 is shed off when the DROOP Voltage,  $V_{DROOP}$ , drops below the Phase 2 shed-off threshold, and the DROOP voltage is equal to eight times the current sensing voltage in Phase 1. The Phase 2 is shed on when the DROOP voltage rises above the Phase 2 shed-on threshold.

The phase shedding thresholds for on and off are calculated using the following formulas in the equation below.

#### EQUATION 4-13:

$$V_{SHED\_ON} = 1.2V - V_{PSH}$$

$$V_{SHED\_OFF} = 0.8 \times V_{SHED\_ON}$$

Where:

$$V_{PSH} = \text{PSH Pin Voltage Programmable by an External Resistor}$$

As shown in Figure 4-8, the PSH pin voltage can be programmed by an external resistor connected from the PSH pin to AGND using the equation below.

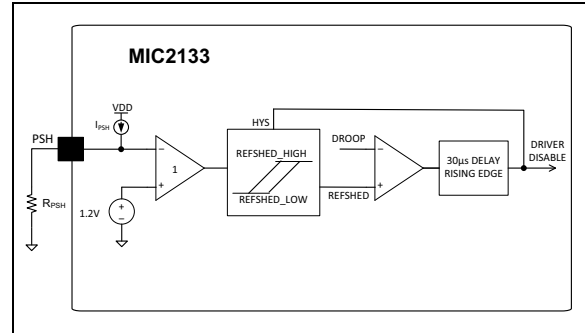
#### EQUATION 4-14:

$$V_{PSH} = I_{PSH} \times R_{PSH}$$

Where:

$$I_{PSH} = \text{PSH Current Source (10 } \mu\text{A typical)}$$

$$R_{PSH} = \text{Resistor Connected from PSH Pin to AGND}$$



**FIGURE 4-8:** Phase Shedding Circuit.

The output load currents at which the secondary phase will be turned on and off can be calculated from Equation 5-39.

The reason for this indirect way for setting phase shedding thresholds is the fact that the DROOP pin voltage has a strong positive temperature coefficient in case the bottom FETs  $R_{DS(ON)}$  are used for sensing current. To keep the shedding level constant in the current level with temperature, an NTC resistor can be used to generate a  $V_{PSH}$  voltage with a negative temperature coefficient, which becomes a positive temperature coefficient identical to the temperature coefficient of the DROOP voltage when the  $R_{DS(ON)}$  of bottom FETs are used (see Equation 4-13). Also, the NTC resistor must be placed close to the Phase 1 bottom FETs to pick up the temperature of the FET.

#### EQUATION 4-15:

$$\frac{dV_{SHED}}{dT} = -\frac{dV_{PSH}}{dT} = \frac{dV_{DROOP}}{dT} = \frac{I_{LOAD} \times dR_{DS(ON)}}{dT}$$

The equation above is a description of the necessary temperature coefficient of  $V_{PSH}$ , achieved externally using an NTC resistor on the PSH pin, combined with a zero temperature coefficient 10  $\mu\text{A}$  current source.

If sensing is done with a sense resistor in series with the bottom FET, then no NTC resistor is needed on the PSH pin and sizing the shedding of the secondary phase (Phase 2) is done using Equation 4-13.

If no phase shedding is desired, then the PSH pin is floating and will go to  $V_{DD}$ , and internally, the level will be sensed and the secondary shedding will not be done.

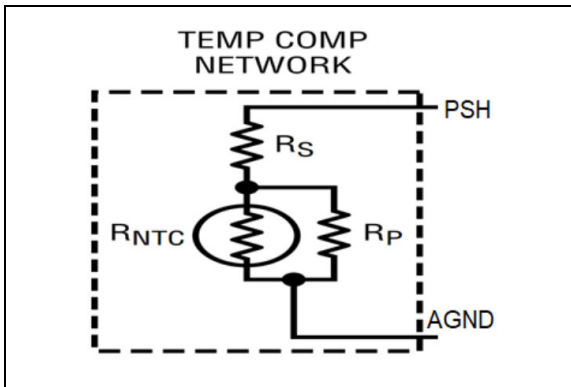
If the PSH pin is externally driven between 0V and 5V, then an externally controlled action on the shedding can be done. In that case, the system designers need to decide when the secondary is shed based on the information about the load they obtained on their own at the system level.

Shedding the secondary phase will be an action conditioned by a hysteresis on the shedding threshold voltage and a delay of approximately 30  $\mu\text{s}$ .

Going out of shedding for the secondary phase will be done at maximum speed to generate a good response in case of a load transient.

After the phase shedding is done, the host phase (Phase 1) will automatically allow the DCM mode if needed by the circuit. Also, the RIP\_INJ pulse will have 200 ns to keep the correct prepositioning when adding back the Phase 2. The shedding Phase 2 will not add any RIP\_INJ pulse. When the Phase 2 is working again, the device controller will disable the DCM mode and go into CCM completely.

The figure below is an example of a resistance network on the PSH pin using an NTC resistor and ensuring the temperature compensation of phase-shedding action.



**FIGURE 4-9:** Temperature Compensation Network on the PSH Pin.

**EXAMPLE 4-1: CALCULATION OF  $R_{PSH}$  BASED ON BOTTOM FET CURRENT SENSING**

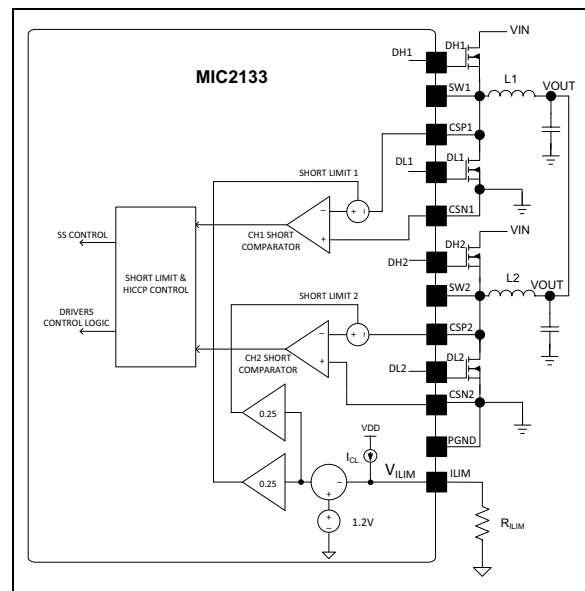
- Supposing that a 25°C nominal load current generates a voltage drop of  $V_{DS} = 75 \text{ mV}$  at 25°C on the bottom FET used for sensing current.
- Then, for that level of nominal load,  $V_{DROOP} = 8 * 75 \text{ mV} = 600 \text{ mV}$  at 25°C.
- $V_{DROOP} \approx 1.2\text{V}$  at 125°C in the defined case above because the  $R_{DSON}$  is 2x greater and  $V_{DS} = 150 \text{ mV}$  at 125°C.
- In the case of wanting to shed the secondary phase at 0.5 \* nominal load, then the shedding threshold at 25°C needs to be +300 mV. It will become +600 mV at 125°C if it is temperature compensated.
- From Equation 4-13, it can be derived that the imposed  $V_{PSH} = 1.2\text{V} - 1.25 * 0.3\text{V} = 0.825\text{V}$  at 25°C. From Equation 4-14,  $R_{PSH} = 0.825\text{V}/10 \mu\text{A} = 82.5 \text{ k}\Omega$  at 25°C.
- At 125°C, the necessary shedding threshold is 600 mV, which requires  $V_{PSH} = 1.2\text{V} - 1.25 * 0.6\text{V} = 0.45\text{V}$  at 125°C and the programming resistor on the PSH pin,  $R_{PSH} = 0.45\text{V}/10 \mu\text{A} = 45 \text{ k}\Omega$  at 125°C. Then, the temperature compensation network with the NTC resistor can be linearized based on the  $R_{PSH}$  values at 25°C and 125°C.

The MIC2133 can also be used to report the average output current via the CSH pin while working with a PMBus™ macro. While working with a PMBus macro, DCM and phase shedding need to be disabled through the PSH pin. The die temperature is reported through the TEMP pin, the input voltage is reported through the VIN pin and the output voltage is reported via the Output Sense (OUTS) pin while working with a PMBus macro.

**4.5.4 CURRENT LIMIT**

The MIC2133 uses the  $R_{DS(ON)}$  of the external low-side power MOSFET to sense overcurrent conditions, or a sense resistor inserted with the source of the bottom FET can be used for more accurate results and does not require temperature compensation. The bottom FET  $R_{DS(ON)}$  sensing method will avoid adding cost, use of additional board space and power losses taken by a discrete current sense resistor.

The current limit threshold can be programmed by connecting a resistance from the ILIM pin to AGND. Both phases use the same current limit threshold.



**FIGURE 4-10:** MIC2133 Current-Limiting Circuit.

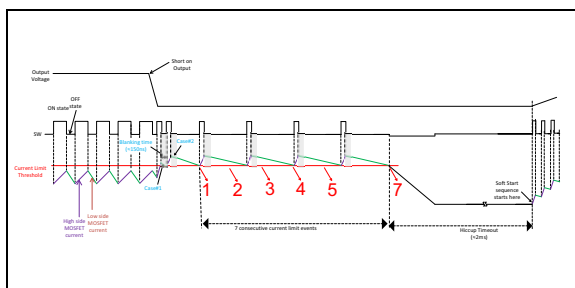
The MIC2133 forces a constant 9.6  $\mu\text{A}$  current through the resistor tied from the ILIM pin to AGND to program  $V_{ILIM}$ .



In each switching cycle of both phases of the MIC2133 converter, the inductor valley current is sensed by monitoring the  $V_{DS}$  voltage across the low-side MOSFET during the off period. There is a 150 ns (typical) blanking period before each current sense signal considered for protection. The blanking period improves noise immunity. If the valley low-side MOSFET current is greater than the current limit threshold current for seven consecutive cycles in either phase, then the MIC2133 turns off the high-side MOSFET of both phases and a soft start sequence is triggered after the hiccup timer has expired. This mode of operation, called Hiccup mode, and its purpose is to protect the downstream load in case of a hard short. The figure below illustrates the MIC2133 operation during overload conditions. When the load current is increased gradually, the inductor current also increases, as shown in the figure below. When the load current is around the current limit threshold, the high-side and the low-side MOSFET current can be higher than the current limit, as highlighted in the figure below as Case#1. In Case#1, even though the low-side MOSFET instantaneous current exceeds the current limit threshold for some duration, the low-side MOSFET current is lower than the current limit at the end of the blanking time of 150 ns. This causes the MIC2133 to not enter the current limit protection and initiate the next high-side MOSFET turn-on cycle. After the high-side MOSFET is turned on, the current ramps up to a value that is determined by the operating duty cycle and inductor value. When the high-side MOSFET is turned off and the low-side MOSFET is turned on, as shown as Case#2 in the figure below, the current through the low-side MOSFET is higher than the current limit for seven consecutive cycles. This causes the MIC2133 to enter the current limit protection.

As shown in the figure below, the inductor valley current is higher than the current limit threshold as the MIC2133 senses the low-side MOSFET current.

When the MIC2133 enters current limit protection, both the high-side and the low-side MOSFETs are turned off for both phases for a hiccup time-out of 2 ms. The inductor current flows through the body diode of the low-side MOSFET until it falls down to zero. The MIC2133 initiates the soft start after the hiccup time-out, as shown in the figure below.



**FIGURE 4-11:** MIC2133 Current-Limit Threshold Relationship to Output Current.

The MIC2133 current limit needs to be temperature-insensitive when precise sense resistors or  $R_{DS(ON)}$  of the low-side MOSFETs are used.

The  $R_{DS(ON)}$  resistance increases to about two times from 25°C to 125°C; therefore, an external NTC resistor is used to program the current limit in this case. In case regular precise sense resistors are used, no NTC resistance is needed.

To achieve a positive temperature coefficient from the negative temperature coefficient of the NTC resistance, the current limit per phase was internally generated, as shown in the equation below.

**EQUATION 4-16:**

$$I_{LIM} = \frac{0.3 - 0.25 \times V_{ILIM}}{R_{DS(ON)}}$$

Where:  
 $I_{LIM}$  = Desired Current Limit per Phase  
 $V_{ILIM}$  = Programmable Voltage at ILIM Pin

From Equation 4-16, one can derive the  $V_{ILIM}$  value through the equation below:

**EQUATION 4-17:**

$$V_{ILIM} = 1.2V - 4 \times R_{DS(ON)} \times I_{LIM}$$

To program the target  $V_{ILIM}$  voltage, the equation below is used.

**EQUATION 4-18:**

$$V_{ILIM} = I_{CL} \times R_{ILIM}$$

Where:  
 $I_{CL}$  = 9.6  $\mu$ A (typical) Constant-Current Source at ILIM Pin  
 $R_{ILIM}$  = Current Limit Threshold Voltage Programming Resistance

**EXAMPLE 4-2: CALCULATION OF  $R_{ILIM}$  FOR BOTTOM MOSFET  $R_{DS(ON)}$  CURRENT SENSING**

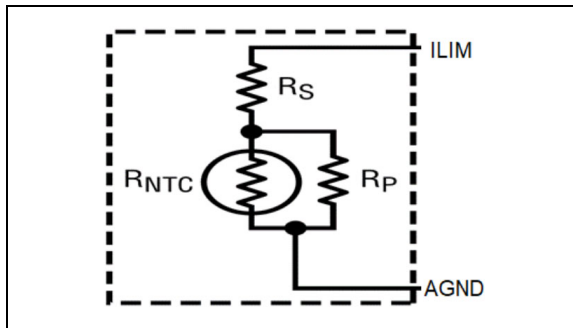
- For  $I_{LIM} = 10A$  per phase,  $R_{DS(ON)} = 10$  m $\Omega$  at 25°C; using Equation 4-17,  $V_{ILIM} = 1.2V - 4 * 10$  m $\Omega$  \* 10A = 1.2V - 0.4V = 0.8V at 25°C.
- To get 0.8V on the ILIM pin with a 9.6  $\mu$ A constant-current source, we need a programming equivalent resistance of  $R_{ILIM} = 0.8V/9.6$   $\mu$ A = 83.3 k $\Omega$  at 25°C.
- If the temperature is increased to 125°C, then  $R_{DS(ON)}$  at 125°C = 20 m $\Omega$  at the same 10A limit.
- Therefore,  $V_{ILIM} = 1.2V - 4 * 20$  m $\Omega$  \* 10A = 1.2V - 0.8V = 0.4V at 125°C. Then,  $R_{ILIM} = 0.4V/9.6$   $\mu$ A = 41.7 k $\Omega$  at 125°C.

As shown in [Example 4-2](#), the sizing of current limit per phase needs to be verified over temperature to make sure [Equation 4-16](#) and [Equation 4-17](#) work correctly, because it is necessary to always have:

### EQUATION 4-19:

$$1.2V > 4 \times R_{DSON} \times I_{LIM}$$

For linearization and fitting the temperature coefficient of the bottom MOSFET  $R_{DSON}$ , a network from ILIM pin to AGND, used with an NTC resistor, is shown in the following figure.



**FIGURE 4-12:** Resistance Network Used with  $R_{NTC}$  Resistor for Linearization and Fitting the Temperature Coefficient of MOSFET  $R_{DSON}$ .

In case a temperature-independent resistor sensing is used, a simple temperature constant standard resistance is used on the ILIM pin.

#### 4.5.5 NEGATIVE CURRENT LIMIT

The MIC2133 supports a cycle-by-cycle negative current limit. The absolute value of the negative current-limiting threshold is 50% of the programmed current limit. If the negative low-side MOSFET current is going to trigger a negative current limit, the low-side MOSFET will be turned off and allow current through its body diode. During this time, the output voltage tends to rise because this protection limits the current to discharge the output capacitor. To prevent a huge reverse current over the short limit value, the low-side FET turns on after 500 ns, maintaining negative current at the programmed level.

#### 4.5.6 PRECISION ENABLE (EN)

The precision enable input (EN) is used to control the regulator. The precision feature allows the simple sequencing of multiple power supplies with a resistor divider from another supply. Connecting this pin to ground or to a voltage lower than 1.2V (typical) will turn off the regulator. In this state, the current drain from the input supply is 25  $\mu$ A (typical) at a 12V input voltage.

The EN input has an internal pull-up of about 6  $\mu$ A. Therefore, this pin can be left floating or pulled to a voltage greater than 1.2V (typical) to turn the regulator on.

The hysteresis on this input is about 65 mV (typical) above the 1.2V (typical) threshold. When driving the enable input, the voltage must never exceed the absolute maximum specification for this pin. Although an internal pull-up is provided on the EN pin, it is a good practice to pull the input high when this feature is not used, especially in noisy environments. This can be done easily by connecting a high-value resistor (1 M $\Omega$ ) between the VIN and EN pins. The MIC2133 device also incorporates an internal input undervoltage lockout (UVLO) feature. This prevents the regulator from turning on when the input voltage is not high enough to properly bias the internal circuitry. The rising threshold is 4.3V (typical), while the falling threshold is 3.9V (typical). In some cases, these thresholds may be too low to provide good system performance. The solution is to use the EN input as an external programmable input UVLO to disable the part when the input voltage falls below a target lower threshold. This is often used to prevent excessive battery discharge or early turn-on during start-up. This method is also recommended to prevent abnormal device operation in applications where the input voltage falls below the minimum of 4.5V. [Figure 4-13](#) shows the connections to implement this method of UVLO. The two equations below can be used to determine the correct resistor values.

### EQUATION 4-20:

$$R_{TOP} = R_{BOT} \times \left( \frac{V_{OFF}}{V_{ENTH} - V_{ENHYS}} - 1 \right)$$

Where:

- $R_{TOP}$  = Top Resistor of the VIN Voltage Resistor Divider
- $R_{BOT}$  = Bottom Resistor of the VIN Voltage Resistor Divider
- $V_{OFF}$  = Target VIN Voltage below which the Regulator turns off
- $V_{ENTH}$  = Device Enable Upper Threshold Voltage
- $V_{ENHYS}$  = Enable Threshold Hysteresis Voltage

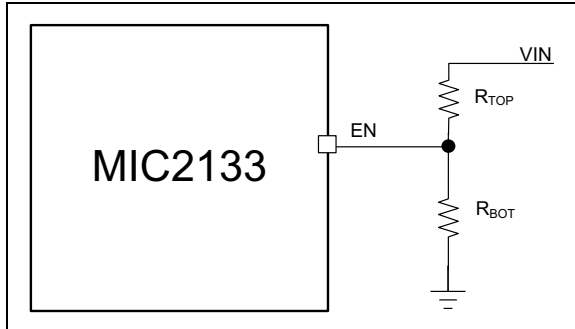
### EQUATION 4-21:

$$V_{ON} = V_{OFF} \times \frac{V_{ENTH}}{V_{ENTH} - V_{ENHYS}}$$

Where:

- $V_{OFF}$  = Input Voltage where the Regulator Shuts Off
- $V_{ON}$  = Input Voltage where the Regulator Turns On
- $V_{ENHYS}$  = Enable Threshold Hysteresis
- $V_{ENTH}$  = Enable Upper Threshold Voltage

Due to the 6  $\mu$ A pull-up, the current in the divider must be much higher than this. A value of 20 k $\Omega$  for  $R_{BOT}$  is a good first choice.



**FIGURE 4-13:** External Programmable VIN UVLO Connections.

## 4.5.7 SOFT START

Soft start reduces the power supply input surge current at start-up by controlling the output voltage rise time. The input surge appears while the output capacitor is charged up. A slower output rise time will draw a lower input surge current.

The MIC2133 features an adjustable soft start time. The soft start time can be adjusted by changing the value of the capacitor connected from the SS pin to AGND. The soft start time can be adjusted from 5 ms to 100 ms. The MIC2133 forces 1.2  $\mu$ A current from the SS pin. This constant current flows through the soft start capacitor, connected from the SS pin to AGND, to adjust the soft start time.

The soft start capacitor value for the desired  $V_{OUT}$  ramp-up time can be calculated from the following equation.

### EQUATION 4-22:

$$C_{SS} = \frac{1.2 \mu A \times t_{SS}}{V_{REF}}$$

Where:

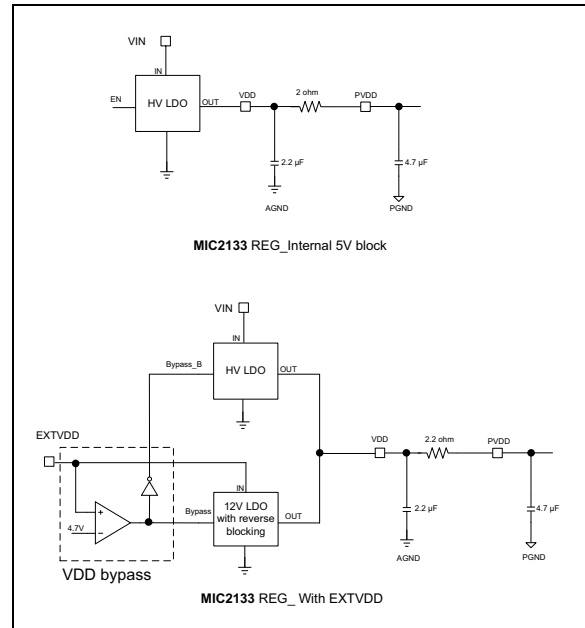
$t_{SS}$  = Output Voltage Soft Start Ramp-up Time

## 4.5.8 VDD REGULATOR AND EXTVDD LDO

The MIC2133 has an integrated high-voltage LDO that provides a 5V regulated output from Input Voltage,  $V_{IN}$ , ranging from 8V to 75V. When  $V_{IN} < 5.5V$ ,  $V_{DD}$  must be tied to the VIN pins to bypass the internal linear regulator. The internal LDO powers the control circuitry from the VDD pin and gate drive current from the PVDD pin.

The MIC2133 also features an auxiliary low-voltage LDO, which is powered by EXTVDD. When the voltage on the EXTVDD is at 4.7V (typical) or higher, this auxiliary LDO is enabled and powers all the internal circuitry. At the same time, the main high-voltage LDO is disabled. This increases the efficiency of the system by reducing the differential voltage across the high-voltage LDO, hence reducing the power losses in the LDO. In general, the output of the buck converter is used as the power supply for the auxiliary LDO by

connecting the EXTVDD pin to the output of the buck converter. The maximum voltage that can be applied at the EXTVDD is limited to 14V. The following figure shows the internal 5V LDO and EXTVDD connection in the MIC2133.



**FIGURE 4-14:** MIC2133 EXTVDD.

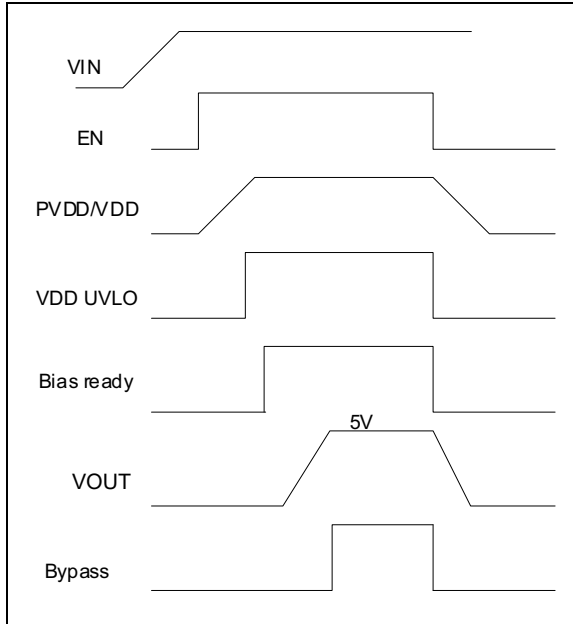
Given that the EXTVDD is powered from the  $V_{OUT}$  of the buck regulator, the  $V_{OUT}$  is noisy if there is a fast changing load. When  $V_{OUT} > 5V + V_{DROPOUT}$ , the noise could be suppressed by a loop of the 12V LDO. However, when  $V_{OUT} = 5V$ , the 12V LDO works in Dropout mode and there is no loop gain. The LDO acts just like a resistor. It is not recommended that EXTVDD be connected to  $V_{OUT}$  if  $V_{OUT} < 5V$ .

## 4.5.9 POWER GOOD (PG)

The Power Good (PG) pin is an open-drain output, which indicates logic high when the output is nominally over 88% of its steady-state voltage. It is recommended that a pull-up resistor of more than 10 k $\Omega$  be connected from PG to VDD. During soft start, the PG is held low and is allowed to be pulled high after  $V_{OUT}$  is achieved over 88% of the target level.

## 4.5.10 SEQUENCING

The MIC2133 has a precision enable function. The EN pin voltage will either enable/disable switching. When the EN pin voltage is higher than 1.2V (typical), the MIC2133 is put into operation. The internal regulator will power up and start switching. The following figure shows the EN pin sequencing.



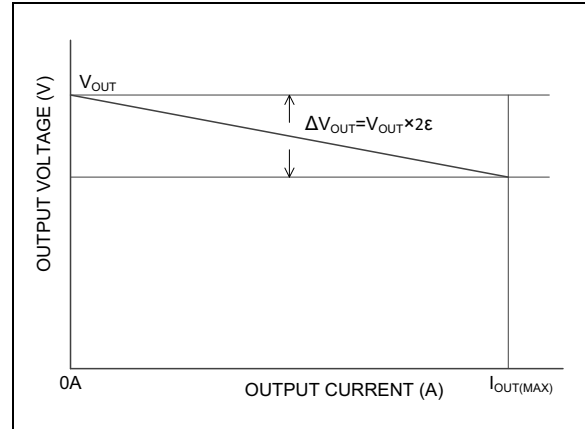
**FIGURE 4-15:** EN Pin Sequencing.

When the EN pin voltage is below the lower EN threshold, the MIC2133 goes into Shutdown mode. When in Shutdown mode, the MIC2133 stops switching and all internal control circuitry switches off to reduce the quiescent current. The EN pin, along with the PG pin, can be used for sequencing multiple MIC2133 devices. It is recommended that the VIN be powered up before the EN signal.

#### 4.5.11 ADAPTIVE VOLTAGE POSITIONING (AVP), ALSO KNOWN AS DROOP FUNCTION (RECOMMENDED FOR CCM ONLY)

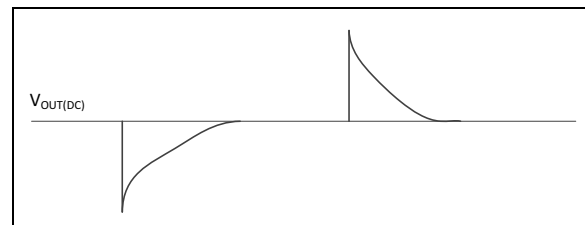
In some high-current applications, a requirement on a precisely controlled output impedance is imposed. This dependence of output voltage on load current is often termed, “droop”, “load line” regulation or Adaptive Voltage Positioning (AVP).

The basic functionality of the AVP function is to achieve a controlled output resistance for the buck regulator so that at 0A load, the output is + $\epsilon\%$  higher than the nominal voltage and, at maximum load, the output is - $\epsilon\%$  related to the nominal output value, as shown in the following figure.

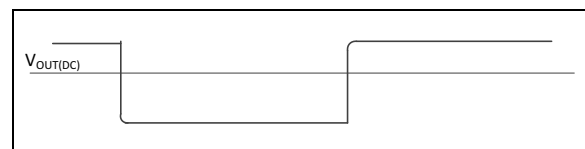


**FIGURE 4-16:** AVP Ideal Output Resistive Characteristic.

It is necessary to achieve the resistive characteristic above over the full frequency range of output loads.



**FIGURE 4-17:**  $V_{OUT}$  Load Transient Error without AVP/DROOP.



**FIGURE 4-18:**  $V_{OUT}$  Load Transient Error with AVP/DROOP.

Figure 4-17 and Figure 4-18 show how the AVP design window of  $\pm\epsilon$  can be used to reduce the amount of the output capacitor necessary to sustain the load transient. Alternatively, the AVP can be used to improve the error of the load transient if it is decided to keep the same output capacitor.

The DROOP pin is an analog output that provides a voltage proportional to the output current in CCM, according to the equation below.

### EQUATION 4-23:

$$V_{DROOP} = V_{CSH} - 1.2V = 8 \times R_{SENSE} \times I_L$$

Where:

$V_{CSH}$  = Voltage at CSH Pin in CCM  
 $R_{SENSE}$  = Current Sensing Resistance  
 $I_L$  = Inductor Current per Phase

Because the current-sensing range is  $\pm 120$  mV, the output voltage range of  $V_{DROOP}$  is 0V to 0.9V.

The part of the schematic to implement the AVP for a 5V output is shown in Figure 4-19. The underlying assumption is that the current sense is done using sense resistors independent of temperature.

The sizing starts with the conditions:  $V_{DROOP} = 0V$  for  $I_{OUT} = 0A$  and  $V_{DROOP} = 600$  mV for  $I_{OUT} = I_{OUT(MAX)}$ . Depending on the voltage drop on the sense resistors at  $I_{OUT(MAX)}$ , the DROOP pin can have a value different than 600 mV, assuming that  $V_{DROOP(IOUTMAX)} = 600$  mV.

Step 1: Sizing the resistors for getting  $(1 + \epsilon) \cdot V_{OUT}$  at  $I_{LOAD} = 0A$ . Due to  $V_{DROOP} = 0V$ , we have the equation below:

### EQUATION 4-24:

$$V_{OUT} = \left( 1 + \frac{R_{FBT}}{R_{FBB1} + R_{FBB2} \parallel R_{DROOP}} \right) \times V_{REF}$$

As a first approximation, consider choosing  $R_{FBB2}$  small enough so that  $R_{FBB2} \parallel R_{DROOP} \approx R_{FBB2}$ , and we size  $R_{FBB1}$ ,  $R_{FBB2}$  and  $R_{FBT}$  to get the correct 5.00V injection and stability.

Step 2: Sizing the resistors to have the trip of  $V_{OUT} \cdot 2 \cdot \epsilon$  from  $I_{OUT} = 0A$  to  $I_{OUT} = I_{OUT(MAX)}$ , or from  $V_{DROOP} = 0V$  to  $V_{DROOP} = 600$  mV.

Then,

### EQUATION 4-25:

$$2\epsilon = \frac{AV_{FBS}}{V_{REF}} = \frac{V_{DROOP(MAX)}}{V_{REF}} \times \frac{R_{FBB2}}{R_{FBB2} + R_{DROOP}} \times \frac{R_{FBT}}{R_{FBT} + R_{FBB1} + R_{FBB2} \parallel R_{DROOP}}$$

If  $R_{DROOP} \gg R_{FBB2}$ , Equation 4-25 can be simplified as the following equation.

### EQUATION 4-26:

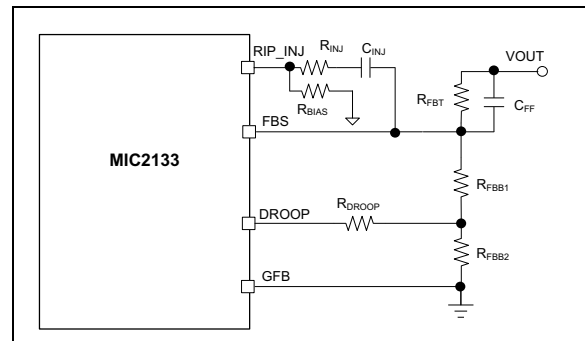
$$2\epsilon = \frac{V_{DROOP(MAX)}}{V_{REF}} \times \frac{R_{FBB2}}{R_{FBB2} + R_{DROOP}} \times \frac{R_{FBT}}{R_{FBT} + R_{FBB1} + R_{FBB2}}$$

Or

### EQUATION 4-27:

$$R_{DROOP} = R_{FBB2} \times \left( \frac{1}{2\epsilon} \times \frac{V_{DROOP(MAX)}}{V_{REF}} \times \frac{R_{FBT}}{R_{FBT} + R_{FBB1} + R_{FBB2}} - 1 \right)$$

Step 3: The  $R_{FBB1}$  is slightly adjusted to get  $V_{OUT} \cdot (1 + \epsilon)$  for  $I_{OUT} = 0A$ . The result is in the figure below.



**FIGURE 4-19:** AVP Implementation for 5V Output with 2% AVP Range for DROOP Pin Range 0V to 600 mV.

Equation 4-26 and Equation 4-27 can also have the exact solution; the main difficulty being to find standard resistors of 0.1% to respect the initial positioning of  $+\epsilon$  for  $I_{OUT} = 0A$  and the  $2 \cdot \epsilon$  move down for  $I_{OUT(MAX)}$ .

The example above was based on temperature-independent current sensing using sense resistors. In case the bottom FET is used, the  $V_{DROOP}$  is defined as:

### EQUATION 4-28:

$$V_{DROOP} = V_{CSH} - 1.2V = 8 \times R_{DSO(NLS)} \times I_L$$

Where:

$R_{DSO(NLS)}$  = Low-Side MOSFET Turn-On Resistance

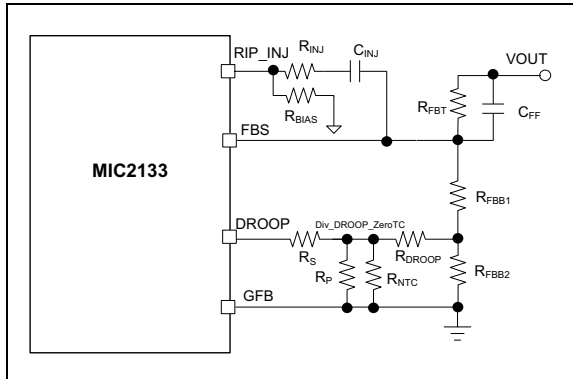
Considering the sensing current range of 120 mV, the operating maximum voltage value is:

### EQUATION 4-29:

$$V_{DROOP(MAXOP)} = 120 \text{ mV} \times 8 = 0.96 \text{ V}$$

$R_{DSON(LS)}$  increases to about 2x, at 125°C related to the value at 25°C; therefore, it is necessary to choose  $R_{DSON} * I_{OUT(MAX)} < 60 \text{ mV}$  at 25°C to respect the sensing range over temperature.

To desensitize the AVP related to the temperature variation of  $R_{DSON}$ , a resistance network used with an NTC resistor needs to be used, as shown in the figure below.



**FIGURE 4-20:** Use of an NTC Resistance to Compensate the  $R_{DSON}$  Temperature Coefficient on the DROOP Pin.

The idea in the figure above is that increasing the DROOP voltage with temperature at the  $I_{OUT(MAX)}$  (positive temperature coefficient) is compensated by the  $R_{NTC}$  (negative temperature coefficient) to keep the node of the divider, Div\_DROOP\_ZeroTC, constant versus temperature.

The rest of the calculations are similar to the aforementioned case, where the sensing current was temperature-insensitive. In case the AVP is not necessary, a 10 kΩ, 1 nF series RC filter to ground can be used to have a reading of the filtered output current.

#### 4.5.12 OVP FUNCTION

The MIC2133 operates with high input voltages powering costly ASIC or PA. If the high-side MOSFET is damaged during switching, it can present high output voltage which can damage the costly load. This can also happen if the FB path is open during the assembly process, which in turn, can damage the costly load while testing.

To discharge the output during those high output voltage Fault conditions, the MIC2133 has a dedicated DR pin with a discharge FET driver.

The threshold for this OVP comparator is programmed internally at 112% of the reference voltage. An external discharge FET is connected from  $V_{OUT}$ , in case of faulty conditions, to provide a short path for a high current. A series resistor can be connected to limit a high short current.

The DR pin is latched in high if an overvoltage of a duration longer than 12 μs typical is present on the output. All the overvoltage events that last less than 12 μs will not trigger DR = High. The circuitry involving OVP will be active after the rise threshold of UVLO before any other action of the control loop.

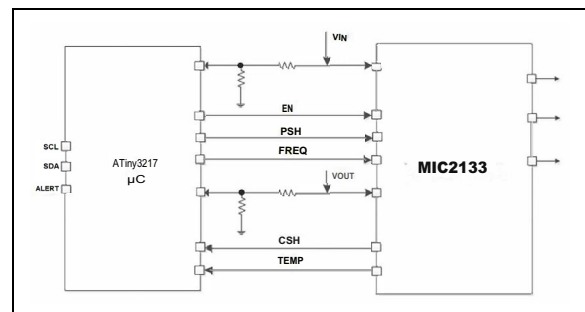
To reset the state of DR = High latched, it is necessary to make UVLO go low, which means to collapse the VDD rail. This Reset action can be obtained by making EN = Low and waiting for VDD to collapse. Another possible Reset action is shutting down the input VIN, in which case the VDD will collapse because of the HVLDO linear regulator.

The external FET can pull down the EN pin tied to VIN with a resistor. In this case, it is possible to have a very long time until the VDD collapses and the UVLO resets the DR output. In this case, a very long time cycle will take place after the part restarts. The DR pin can be reset either by VIN cycling or EN cycling.

Another possible protection during OVP is to use the DR output to make an SCR on, and fire a fuse on the VIN power supply, disconnecting the input power supply from the buck converter.

#### 4.5.13 TELEMETRY KNOBS

The MIC2133 can provide die temperature and average output current sense outputs. These analog outputs can be used by the PMBus-enabled microcontroller to convert to digital form and communicate with the PMBus host for telemetry. The MIC2133 to PMBus-enabled microcontroller connections are illustrated in the figure below.



**FIGURE 4-21:** MIC2133 to PMBus-Enabled Microcontroller Connections.

The MIC2133 die temperature is monitored internally across the PN junction diode and provided as voltage at the TEMP pin. A 1 μF capacitor is connected at TEMP to AGND to remove the DC error.

The internal temperature sense has a 6 mV/°C gain and a 1.8V offset voltage. The internal temperature sense can be reported from -40°C to +125°C to the PMBus enabled microcontroller.

The TEMP pin voltage is given in the equation below.

### EQUATION 4-30:

$$V_{TEMP} = T_J \times G_{TS} + V_{OS(TS)}$$

Where:

$T_J$  = MIC2133 Device Junction Temperature

$G_{TS}$  = Gain of Thermal Sense (6 mV/°C typical)

$V_{OS(TS)}$  = Offset Voltage of Thermal Sense Output (1.8V typical)

The CSH pin monitors the average inductor current by using the bottom FET  $R_{DS(ON)}$  as a sense resistor. The CSH pin voltage can be calculated using the equation below.

### EQUATION 4-31:

$$V_{CSH} = I_{L(AVG)} \times K + V_{CSH(0A)}$$

Where:

$I_{L(AVG)}$  = Average Inductor Current

$V_{CSH(0A)}$  = 1.2V =  $V_{CSH}$  Voltage for  $I_{L(AVG)} = 0A$  to Allow 2-Quadrant Monitoring (e.g.,  $I_{L(AVG)} \pm 10A$ )

$K$  = Constant Factor

Because of the sense resistor type (NMOS FET), the constant, K, depends on temperature.

To measure the real current through a PMBus, the voltage values at the TEMP and CSH pins will be used by a PMBus-enabled microcontroller to cancel the temperature dependence and get a precise temperature-independent measurement by calculating the corrected value using a stable, known temperature dependency and calibrating at 25°C.

The system input voltage and the output voltage are also available from the MIC2133 converter. These voltages can be sensed by the PMBus-enabled microcontroller, through appropriate resistive dividers, to convert to digital form and communicate with the PMBus host for telemetry.

Additionally, the external temperature from the individual channels can be measured by the PMBus-enabled microcontroller through the external PN junction diode placed at the hot spot in the channel (e.g., MOSFET or inductor).

This is the mechanism through which the MIC2133 provides all the required process variables in the system, as analog sense to the PMBus-enabled microcontroller, which will provide telemetry to the PMBus host controller.

#### 4.5.14 FREQUENCY PROGRAMMING

The switching frequency per phase in CCM can be programmed by the equation below:

### EQUATION 4-32:

$$R_{FREQ} = \frac{20.1 \times 10^9}{f_{SW\_PH}}$$

Where:

$R_{FREQ}$  = Resistor Connects from FREQ Pin to AGND

#### 4.5.15 THERMAL SHUTDOWN

When the junction temperature of the MIC2133 reaches +160°C or above, the buck converter goes into thermal shutdown. When the junction temperature falls below +140°C, the MIC2133 buck converter soft starts again.

## 5.0 APPLICATION INFORMATION

### 5.1 Inductor Selection

Certain values for inductance, peak and RMS currents are required to select the output inductor. The input and output voltages, as well as the inductance value, determine the peak-to-peak inductor ripple current. Generally, higher inductance values are used with higher input voltages. Larger peak-to-peak ripple currents increase the power dissipation in the inductor and MOSFETs. Larger output ripple currents also require more output capacitance to smooth out the larger ripple current. Smaller peak-to-peak ripple currents require a larger inductance value, and therefore, a larger and more expensive inductor. Higher switching frequencies allow the use of a small inductance, but increase power dissipation in the inductor core and MOSFET switching loss. A good compromise between size, loss and cost is to set the inductor ripple current to be equal to 20% of the maximum DC output current contributed per phase. The inductance value of the inductor in each phase channel is calculated by the equation below.

#### EQUATION 5-1:

$$L = \frac{V_{OUT} \times (Eff \times V_{IN(MAX)} - V_{OUT}) \times N_{PH}}{Eff \times V_{IN(MAX)} \times f_{SW} \times 0.2 \times I_{OUT(MAX)}}$$

Where:

$f_{SW}$  = Switching Frequency, 500 kHz

$0.2$  = Ratio of AC Ripple Current to Maximum DC Output Current Contributed per Phase

$V_{IN(MAX)}$  = Maximum Power Stage Input Voltage

$N_{PH}$  = Total Number of Phases

$Eff$  = Efficiency of the Buck Converter

$I_{OUT(MAX)}$  = Maximum DC Output Current

The peak-to-peak inductor current ripple in each phase is:

#### EQUATION 5-2:

$$\Delta I_{L(PP)} = \frac{V_{OUT} \times (Eff \times V_{IN(MAX)} - V_{OUT})}{Eff \times V_{IN(MAX)} \times f_{SW} \times L}$$

The peak inductor current per phase is equal to the maximum average output current per phase, plus one half of the peak-to-peak inductor current ripple, as given in the following equation.

#### EQUATION 5-3:

$$I_{L\_PH(PK)} = I_{OUTPH(MAX)} + 0.5 \times \Delta I_{L(PP)}$$

$$I_{OUTPH(MAX)} = \frac{I_{OUT(MAX)}}{n}$$

Where:

$I_{OUTPH(MAX)}$  = Maximum Average DC Output Current Contributed per Phase

$I_{OUT(MAX)}$  = Maximum Output Current

$n$  = Total Number of Phases

The RMS inductor current in each phase is used to calculate the  $I^2R$  losses in the inductor per phase.

#### EQUATION 5-4:

$$I_{L\_PH(RMS)} = \sqrt{I_{OUTPH(MAX)}^2 + \frac{\Delta I_{L(PP)}^2}{12}}$$

Maximizing efficiency requires selecting the proper core material and minimizing the winding resistance. The high-frequency operation of the MIC2133 requires the use of ferrite materials for all but the most cost-sensitive applications. Lower cost iron powder cores may be used, but the increase in core loss reduces the efficiency of the buck converter. This is especially noticeable at low output power. The winding resistance decreases efficiency at the higher output current levels. The winding resistance must be minimized, although this usually comes at the expense of a larger inductor size. The power dissipated in the inductor is equal to the sum of the core and copper losses. At higher output loads, the core losses are usually insignificant and can be ignored. At lower output currents, the core losses can be a significant contributor. Core loss information is usually available from the magnetics vendor. Copper loss in the inductor is calculated by the equation below.

#### EQUATION 5-5:

$$P_{INDUCTOR(Cu)} = I_{L\_PH(RMS)}^2 \times R_{WINDING}$$

The resistance of the copper wire,  $R_{WINDING}$ , increases with the temperature. The value of the winding resistance used must be at the operating temperature for accurate power dissipation estimation, as calculated in the equation below:

#### EQUATION 5-6:

$$R_{WINDING(HT)} = R_{WINDING(20^\circ C)} \times [1 + 0.0042 \times (T_H - T_{20^\circ C})]$$

Where:

$T_H$  = Temperature of Wire Under Full Load

$T_{20^\circ C}$  = Ambient Room Temperature

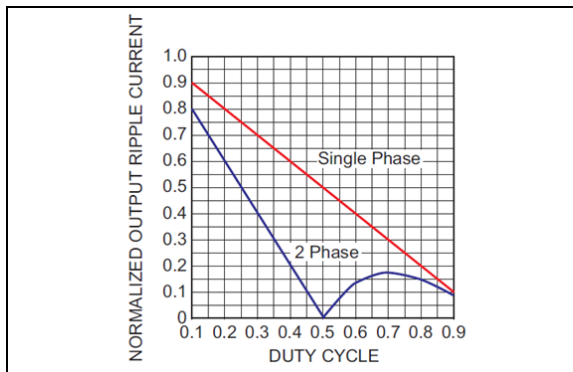
$R_{WINDING(20^\circ C)}$  = Room Temperature Winding Resistance (usually specified by the manufacturer)



## 5.2 Output Capacitor Selection

The output capacitor is usually determined by its capacitance and Equivalent Series Resistance (ESR). Voltage and RMS current capability are two other important factors in selecting the output capacitor. Recommended capacitor types are ceramic, low-ESR aluminum electrolytic, OS-CON and POSCAP. The output capacitor's ESR is usually the main cause of the output ripple voltage in the steady state, while the total output capacitance must be large enough to sustain and maintain the output voltage during the load transient to meet the desired load transient output voltage requirement.

To determine the required output capacitance for a two-phase buck converter in steady state, peak-to-peak output ripple current, as seen by the output capacitors, must be known. The peak-to-peak output ripple current for both a single-phase and two-phase buck converter is shown in the figure below. The graph shows that peak-to-peak output ripple current, normalized by the maximum value, is a function of the duty cycle. Each channel is 180 degrees out of phase with the other for a two-phase buck converter; therefore, the two-phase peak-to-peak output ripple current is less than that for a single-phase converter and the ripple current effective frequency is doubled, as seen by the output capacitor. This is the ripple reduction effect of the two-phase operation. In addition, at 50% duty cycle, the inductor ripple currents from each channel cancel each other and the output ripple current is close to zero.



**FIGURE 5-1:** Normalized Peak-to-Peak Output Ripple Current vs. Duty Cycle.

The peak-to-peak output ripple current, shown in the figure above, is normalized by the maximum value, which is used as the normalizing factor for simplifying the calculation of the output ripple current.

The peak-to-peak output ripple current maximum value and normalizing factor is calculated by the equation below.

### EQUATION 5-7:

$$\Delta I_{OPP(MAX)} = \frac{V_{OUT}}{L \times f_{SW}}$$

The approximate peak-to-peak output ripple current of a two-phase buck converter at a given duty cycle can be determined from the corresponding normalized value for the two-phase buck converter in Figure 5-1, multiplied by the normalizing factor, as shown in the equation below.

### EQUATION 5-8:

$$\Delta I_{OPP} = \Delta I_{OPP(NORMALIZED)} \times \Delta I_{OPP(MAX)}$$

Where:

$\Delta I_{OPP(NORMALIZED)}$  = Normalized Peak-to-Peak Output Ripple Current Value for Two-Phase Buck Converter at Given Duty Cycle in Figure 5-1

The total output ripple voltage is a combination of the ripple voltages caused by the ESR and output capacitance. Then, the output ripple voltage of the two-phase buck converter in the steady state can be determined from the equation below.

### EQUATION 5-9:

$$\Delta V_{OUT(PP)} = \sqrt{\left(\frac{\Delta I_{OPP}}{16 \times C_{OUT} \times f_{SW}}\right)^2 + (\Delta I_{OPP} \times ESR_{COUT})^2}$$

Where:

$\Delta V_{OUT(PP)}$  = Peak-to-Peak Output Ripple Voltage  
 $\Delta I_{OPP}$  = Peak-to-Peak Output Ripple Current  
 $C_{OUT}$  = Output Capacitance  
 $f_{SW}$  = Switching Frequency per Phase  
 $ESR_{COUT}$  = ESR of Output Capacitor

The minimum output capacitance required for the two-phase buck converter in the steady state can be estimated by the equation below.

### EQUATION 5-10:

$$C_{OUT} \geq \frac{\Delta I_{OPP}}{16 \times \Delta V_{OUT(PP)} \times f_{SW}}$$

To meet the load transient requirement, the output capacitance must also fulfill the criteria in the equation below. The output capacitance value chosen must meet the criteria in both equations.

### EQUATION 5-11:

$$C_{OUT} \geq \frac{\Delta I_{LOAD}}{\Delta V_{OUT(TRANS)} \times \pi \times f_{CO}}$$

Where:

$\Delta I_{LOAD}$  = Output Load Current Step in Load Transient  
 $\Delta V_{OUT(TRANS)}$  = Output Voltage Change in Load Transient  
 $f_{CO}$  = Crossover Frequency, Equal to About  $f_{SW}/10$

The maximum value of the overall ESR of the output capacitor in steady state is calculated in the equation below.

**EQUATION 5-12:**

$$ESR_{COUT} \leq \frac{\Delta V_{OUT(PP)}}{\Delta I_{OPP}}$$

The maximum overall ESR value of the output capacitor must also meet the load transient requirement and is calculated in the equation below. Then, the lower value must be chosen for the output capacitor ESR.

**EQUATION 5-13:**

$$ESR_{COUT} \leq \frac{\Delta V_{OUT(TRANS)}}{\Delta I_{LOAD}}$$

As described in [Section 4.1 “Control Architecture”](#), the MIC2133 requires at least 20 mV peak-to-peak ripple at the FBS pin to make the  $g_m$  amplifier and the error comparator behave properly.

Also, it is recommended that the output voltage ripple be in phase with the inductor current.

Therefore, it is recommended that the output voltage ripple caused by the output capacitor’s value be much smaller than the ripple caused by the output capacitor’s ESR. If low-ESR capacitors, such as ceramic capacitors, are selected as the output capacitors, a ripple injection method must be applied to provide enough feedback voltage ripple. Refer to [Section 4.4 “Ripple Injection Circuit Components Selection”](#) for more details.

It is recommended that the voltage rating of the output capacitor be 25% greater than the maximum output voltage. The output capacitor RMS current is calculated in the equation below.

**EQUATION 5-14:**

$$I_{COUT(RMS)} = \frac{\Delta I_{OPP}}{\sqrt{12}}$$

The power dissipated in the output capacitor is calculated in the equation below.

**EQUATION 5-15:**

$$P_{DISS(COUT)} = I_{COUT(RMS)}^2 \times ESR_{COUT}$$

### 5.3 Input Capacitor Selection

In addition to high-frequency ceramic capacitors, it is recommended that a larger bulk capacitance, either ceramic or aluminum electrolytic, be used to help attenuate ripple on the input and to supply current to

the input during large output current transients. It is recommended that the input capacitor for the power stage input,  $V_{IN}$ , be selected for the ripple voltage at  $V_{IN}$ , capacitance, ESR, ripple current rating and voltage rating. Tantalum input capacitors may fail when subjected to high inrush currents caused by turning the input supply on. A tantalum input capacitor’s voltage rating must be at least two times the maximum input voltage to maximize reliability. Aluminum electrolytic, OS-CON and multilayer polymer film capacitors can handle the higher inrush currents without voltage derating. Due to the ripple cancellation effect of the two-phase buck converter, the input ripple voltage and ripple current are smaller than those of the single-phase converter, and the effective ripple frequency seen by the input capacitor is twice the switching frequency. The input ripple voltage depends on the  $I_{OUT}$  and input capacitor’s capacitance and ESR. The steady state input voltage ripple can be estimated by the equation below.

**EQUATION 5-16:**

$$\Delta V_{IN} \approx \frac{I_{OUT} \times \left( D - \frac{k}{n} \right) \times \left[ \frac{1}{n} - \left( D - \frac{k}{n} \right) \right]}{n \times f_{SW} \times C_{IN}} + \frac{I_{OUT}}{n} \times ESR_{CIN}$$

Where:

- $I_{OUT}$  = Total Output Current
- $D$  = Duty Cycle per Phase
- $n$  = Total Number of Phases
- $k$  = 0,1 for  $D > k/n$  and  $k < n$
- $f_{SW}$  = Switching Frequency per Phase
- $C_{IN}$  = Total Input Capacitance
- $ESR_{CIN}$  = Equivalent Series Resistance of Input Capacitor

The capacitance of the input capacitor can be determined in the equation below.

**EQUATION 5-17:**

$$C_{IN} \geq \frac{I_{OUT} \times \left( D - \frac{k}{n} \right) \times \left[ \frac{1}{n} - \left( D - \frac{k}{n} \right) \right]}{n \times f_{SW} \times \Delta V_{IN}}$$

Where:

- $k$  = 0,1 for  $D > k/n$  and  $k < n$
- $n$  = Total Number of Phases

The ESR of the total input capacitance can be determined in the equation below.

**EQUATION 5-18:**

$$ESR_{CIN} \leq \Delta V_{IN} \times \frac{n}{I_{OUT}}$$

The input capacitor must be rated for the input current ripple. The rated RMS value of the input capacitor current is determined at the maximum output current.

Assuming the peak-to-peak inductor current ripple is low, the RMS current rating of the input capacitor can be estimated from the equation below.

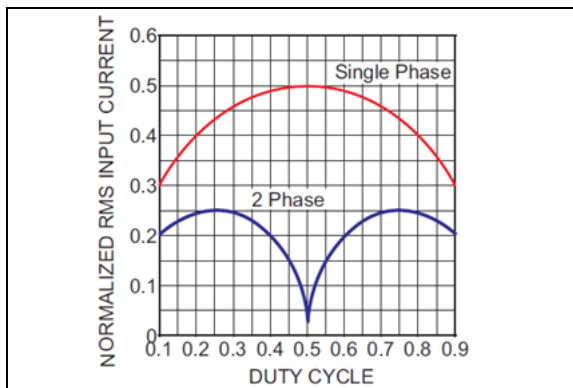
### EQUATION 5-19:

$$I_{CIN(RMS)} \approx I_{OUT(MAX)} \times \sqrt{\left(D - \frac{k}{n}\right) \times \left[\frac{1}{n} - \left(D - \frac{k}{n}\right)\right]}$$

Where:

$I_{OUT(MAX)}$  = Maximum Output Current  
 $k$  = 0,1 for  $D > k/n$  and  $k < n$ , Maximum Integer Less than  $n \times D$   
 $n$  = Total Number of Phases

The graph in the figure below shows the normalized RMS input capacitor current vs. duty cycle for both single-phase and two-phase buck converter operation. Data are normalized to the output current.



**FIGURE 5-2:** Normalized RMS Input Capacitor Current vs. Duty Cycle.

For a two-phase buck converter operating at duty cycle  $D$ , the input capacitor RMS current can also be determined from the graph in the figure above, together with the equation below.

### EQUATION 5-20:

$$I_{CIN(RMS)} = I_{CINRMS(NORM)} \times I_{OUT(MAX)}$$

Where:

$I_{CINRMS(NORM)}$  = Normalized RMS Input Capacitor Current at Given Duty Cycle for Two-Phase Buck Converter from Figure 5-2

The power dissipated in the input capacitor can then be computed from the equation below.

### EQUATION 5-21:

$$P_{DISS(CIN)} = I_{CIN(RMS)}^2 \times ESR_{CIN}$$

The voltage rating of the input capacitor must be high enough to withstand the high input voltage. The recommended voltage rating is at least 1.25 times the maximum input voltage.

## 5.4 Switch Power MOSFET Selection

The following parameters are important for MOSFET selection:

- Voltage rating
- Current rating
- On-resistance
- Total gate charge

The voltage rating for both the high-side and low-side MOSFETs in the buck converter is essentially equal to the power stage Input Voltage,  $V_{IN}$ . It is recommended that a safety factor of 30% be added to the  $V_{IN(MAX)}$ , while selecting the voltage rating of the MOSFETs to account for voltage spikes due to circuit parasitic elements, as shown in the equation below.

### EQUATION 5-22:

$$V_{DS(RATING)} \geq V_{IN(MAX)} \times 1.3$$

The peak switch current for both the high-side and low-side MOSFET in the buck converter is the same and is equal to the peak inductor current in each phase, as shown in the equation below.

### EQUATION 5-23:

$$I_{SWHS(PK)} = I_{SWLS(PK)} = \frac{I_{OUT(MAX)}}{n} + \frac{\Delta I_{L(PP)}}{2}$$

Where:

$I_{OUT(MAX)}$  = Maximum Output Current  
 $n$  = Total Number of Phases  
 $\Delta I_{L(PP)}$  = Peak-to-Peak Inductor Current per Phase

The RMS current rating of the high-side power MOSFET in each phase channel is approximated in the equation below.

### EQUATION 5-24:

$$I_{SWHS(RMS)} = \frac{I_{OUT(MAX)}}{n} \times \sqrt{D_{MAX}}$$

Where:

$D_{MAX}$  = Maximum Duty Cycle

The maximum duty cycle of each phase channel is calculated in the equation below:

### EQUATION 5-25:

$$D_{MAX} = \frac{V_{OUT(MAX)}}{Eff \times V_{IN(MIN)}}$$

Where:

$V_{OUT(MAX)}$  = Maximum Output Voltage

$V_{IN(MIN)}$  = Minimum Input Voltage

$Eff$  = Efficiency of Buck Converter

The RMS current rating of the low-side power MOSFET in each phase channel is calculated in the equation below.

### EQUATION 5-26:

$$I_{SWLS(RMS)} = \frac{I_{OUT(MAX)}}{n} \times \sqrt{1 - D_{MAX}}$$

Where:

$D_{MAX}$  = Maximum Duty Cycle

The conduction loss of the high-side power MOSFET in each phase channel is calculated in the equation below.

### EQUATION 5-27:

$$P_{COND(HS)} = I_{SWHS(RMS)}^2 \times R_{DSON(HS)}$$

Where:

$R_{DSON(HS)}$  = High-Side MOSFET On-Resistance

The conduction loss of the low-side power MOSFET in each phase channel is calculated in the equation below.

### EQUATION 5-28:

$$P_{COND(LS)} = I_{SWLS(RMS)}^2 \times R_{DSON(LS)}$$

Where:

$R_{DSON(LS)}$  = Low-Side MOSFET On-Resistance

The switching loss of the high-side power MOSFET in each phase channel is estimated in the equation below.

### EQUATION 5-29:

$$P_{SWL(HS)} = V_{IN(MAX)} \times \frac{I_{OUT(MAX)}}{2n} \times (t_R + t_F) \times f_{SW}$$

$$t_R = Q_{G(HS)} \times \frac{(R_{ONDHH} + R_{G(HS)})}{V_{DD} - V_{TH(HS)}}$$

$$t_F = Q_{G(HS)} \times \frac{(R_{ONDHL} + R_{G(HS)})}{V_{TH(HS)}}$$

$$Q_{G(HS)} = 0.5 \times Q_{GSHS} + Q_{GDHS}$$

Where:

$t_R$  = High-Side MOSFET Turn-On Transition Time

$t_F$  = High-Side MOSFET Turn-Off Transition Time

$Q_{G(HS)}$  = Switching Gate Charge of High-Side MOSFET

$Q_{GSHS}$  = Gate-to-Source Charge of High-Side MOSFET

$Q_{GDHS}$  = Gate-to-Drain Charge of High-Side MOSFET

$R_{ONDHH}$  = High-Side Gate Driver Pull-up Resistance

$R_{ONDHL}$  = High-Side Gate Driver Pull-Down Resistance

$R_{G(HS)}$  = Gate Resistance of High-Side MOSFET

$V_{TH(HS)}$  = High-Side MOSFET Gate-to-Source Threshold Voltage

The high-side MOSFET output capacitance discharge loss can be calculated in the equation below.

### EQUATION 5-30:

$$P_{COSS(HS)} = 0.5 \times C_{OSS(HS)} (V_{IN(MAX)})^2 \times f_{SW}$$

Where:

$C_{OSS(HS)}$  = High-Side MOSFET Output Capacitance

The total power dissipation of the high-side power MOSFET in each phase channel is the sum of the conduction loss, the switching loss and the MOSFET output capacitance discharge loss, as shown in the equation below.

### EQUATION 5-31:

$$P_{D(HS)} = P_{COND(HS)} + P_{SWL(HS)} + P_{COSS(HS)}$$

The high-side power MOSFET in each phase channel selected must be capable of handling the total power dissipation. To improve efficiency and minimize the power loss, it is recommended that the power MOSFET be selected with low on-resistance and optimum gate charge. On the other hand, the power dissipation in the

low-side power MOSFET in each phase channel is mainly contributed by the conduction loss, and there is no switching loss for the low-side MOSFET in buck converter because the body diode of the low-side MOSFET is forward biased before the turn-on and after the turn-off of the low-side MOSFET, and this makes the voltage across the low-side MOSFET just equal to the body diode forward voltage during the turn-on and turn-off transition.

Apart from the conduction loss, the low-side MOSFET body diode forward conduction loss, body diode reverse recovery loss and low-side MOSFET output capacitance discharge loss also contributed to the power dissipation in the low-side power MOSFET in each phase channel.

The low-side MOSFET body diode forward conduction loss during dead time is calculated by the equation below.

### EQUATION 5-32:

$$P_{BDDT(LS)} = \frac{2 \times I_{OUT(MAX)}}{n} \times V_{F(BD)} \times t_{DT} \times f_{SW}$$

Where:

$V_{F(BD)}$  = Forward Voltage of Low-Side MOSFET Body Diode

$t_{DT}$  = Dead Time, which is about 20 ns

The low-side MOSFET body diode reverse recovery loss is calculated by the equation below.

### EQUATION 5-33:

$$P_{BDQRR(LS)} = V_{IN(MAX)} \times Q_{RR(BDLS)} \times f_{SW}$$

Where:

$Q_{RR(BDLS)}$  = Reverse Recovery Charge of Low-Side MOSFET Body Diode

The low-side MOSFET output capacitance discharge loss can be calculated in the equation below.

### EQUATION 5-34:

$$P_{COSS(LS)} = 0.5 \times C_{OSS(LS)} (V_{IN(MAX)})^2 \times f_{SW}$$

Where:

$C_{OSS(LS)}$  = Low-Side MOSFET Output Capacitance

The total power dissipation of the low-side power MOSFET in each phase channel is estimated in the equation below.

### EQUATION 5-35:

$$P_{D(LS)} = P_{COND(LS)} + P_{BDDT(LS)} + P_{BDQRR(LS)} + P_{COSS(LS)}$$

Low-side MOSFETs can be accidentally turned on by the high dV/dt signal at the switching node; therefore, it is recommended that low-side MOSFETs with a high  $C_{GS}/C_{GD}$  ratio and low internal gate resistance be chosen to minimize the effect of dV/dt induced turn-on.

## 5.5 Bootstrap Capacitor

The MIC2133 device's high-side gate drive circuits are designed to switch the N-Channel external MOSFETs. The MIC2133 **"Functional Block Diagram"** shows two internal bootstrap diodes and each one is between the PVDD and BST pins of each phase channel. These circuits supply energy to the high-side gate drive circuits, with one for each phase. It is recommended that a low-ESR ceramic capacitor be connected between the BST pin and the SW pin of each phase channel (refer to the **"Typical Application Circuit"**). The bootstrap capacitors between the BST and SW pins,  $C_{BST1}$  and  $C_{BST2}$ , are charged while the respective low-side MOSFET is turned on. When the respective high-side MOSFET driver is turned on, energy from  $C_{BSTx}$  is used to turn the MOSFET on. A minimum of 0.1  $\mu$ F low-ESR ceramic capacitor is recommended between the BSTx and SWx pins. The required value of  $C_{BSTx}$  can be calculated using the equation below.

### EQUATION 5-36:

$$C_{BSTx} = \frac{Q_{G(HS)}}{\Delta V_{CBSTx}}$$

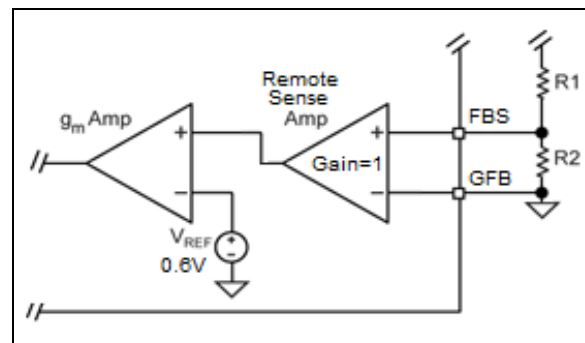
Where:

$Q_{G(HS)}$  = Gate Charge of High-Side MOSFET in Each Phase

$\Delta V_{CBSTx}$  = Delta Voltage Drop Across  $C_{BST}$  in Each Phase, Generally 50 mV to 100 mV

## 5.6 Setting Output Voltage

The MIC2133 requires two resistors to set the output voltage, as shown in the figure below.



**FIGURE 5-3:** Voltage-Divider Configuration.

The output voltage is determined by the equation below:

### EQUATION 5-37:

$$V_{OUT} = V_{REF} \times \left(1 + \frac{R1}{R2}\right)$$

Where:  
 $V_{REF} = 0.6V$

A typical value of R1 can be between 3 kΩ and 10 kΩ. If R1 is too large, it may allow noise to be introduced into the voltage feedback loop. If R1 is too small, it decreases the efficiency of the buck converter, especially at light loads. After R1 is selected, R2 can be calculated using the formula below.

### EQUATION 5-38:

$$R2 = \frac{V_{REF} \times R1}{V_{OUT} - V_{REF}}$$

## 5.7 Secondary Phase Shedding On and Off

The output load currents at which the secondary phase will be turned on and off can be estimated with the equation below.

### EQUATION 5-39:

$$I_{LOAD(SECON)} > \left(\frac{1.2V - V_{PSH}}{4 \times R_{SENSE}}\right) - \left(\frac{\Delta I_{L(PP)}}{2}\right)$$

$$I_{LOAD(SECOFF)} < \left(\frac{0.8V \times (1.2V - V_{PSH})}{4 \times R_{SENSE}}\right) - \Delta I_{L(PP)}$$

Where:

- $I_{LOAD(SECON)}$  = Load Current at which the Secondary Phase will be Turned On
- $I_{LOAD(SECOFF)}$  = Load Current at which the Secondary Phase will be Turned Off
- $V_{PSH}$  = Voltage at the PSH Pin
- $\Delta I_{L(PP)}$  = Peak-to-Peak Ripple Inductor Current
- $R_{SENSE}$  = Current Sense Resistance: Either Fixed Sense Resistor or Low-Side MOSFET  $R_{DS(ON)}$

## 5.8 AVP Droop Load Line Resistance

The AVP Droop load line resistance can be calculated by the equation below.

### EQUATION 5-40:

$$R_{LOADLINE} = \frac{\Delta V_{OUT(DROOP)}}{\Delta I_{L(PK)}} = \frac{4 \times R_{SENSE}}{1 + \frac{R_{DROOP}}{R_{FBB2}}} \times \left(1 - \frac{V_{REF}}{V_{OUT}}\right) \times \frac{V_{OUT}}{V_{REF}}$$

Where:

- $\Delta V_{OUT(DROOP)}$  = Change in Output Voltage with Load
- $\Delta I_{L(PK)}$  = Total Change in Peak Inductor Current for All Phases for a given Change in Load Current
- $R_{SENSE}$  = Current Sense Resistance
- $V_{REF}$  = Reference Voltage (0.6V typical)
- $V_{OUT}$  = Output Voltage
- $R_{DROOP}$  = Resistance of Droop Setting Resistor Connected at the DROOP Pin
- $R_{FBB2}$  = Lower Bottom Feedback Resistance Value

## 5.9 Power Dissipation in MIC2133

The MIC2133 features two Low-Dropout (LDO) regulators to supply power at the PVDD pin from either VIN or EXTVD, depending on the voltage at the EXTVD pin. PVDD powers the MOSFET drivers and VDD pin, which powers the internal circuitry and is recommended to connect to PVDD through a low-pass filter. In applications where the output voltage is 5V and above (up to 14V), it is recommended that the EXTVD be connected to the output to reduce the power dissipation in the MIC2133 to reduce the MIC2133 junction temperature and to improve the system efficiency. The power dissipation in the MIC2133 depends on the internal LDO being in use, gate charge of the external MOSFETs and switching frequency. The power dissipation and the junction temperature of the MIC2133 can be estimated using the equation below, [Equation 5-42](#) and [Equation 5-43](#).

Power dissipation in the MIC2133 is calculated in the equation below when EXTVD is not used.

### EQUATION 5-41:

$$P_{IC} = V_{IN} \times (I_{G(TOTAL)} + I_Q)$$

$$I_{G(TOTAL)} = (Q_{G(HS1)} \times Q_{G(LS1)} + Q_{G(HS2)} + Q_{G(LS2)})f_{SW}$$

Where:

- $I_{G(TOTAL)}$  = Total Average Gate Drive Current for All Phases
- $I_Q$  = Quiescent Current of MIC2133
- $Q_{G(HS1)}$  = Gate Charge of High-Side and Low-Side MOSFETs in Phase 1
- $Q_{G(HS2)}$  = Gate Charge of High-Side and Low-Side MOSFETs in Phase 2
- $Q_{G(LS2)}$  = Gate Charge of High-Side and Low-Side MOSFETs in Phase 2

Power dissipation in the MIC2133 is calculated in the equation below when EXTVDD is used.

## EQUATION 5-42:

$$P_{IC} = V_{EXTVDD} \times (I_{G(TOTAL)} + I_Q)$$

Where:

$V_{EXTVDD}$  = Voltage at EXTVDD Pin  
(4.7V ≤  $V_{EXTVDD}$  ≤ 14V typically)

$I_{G(TOTAL)}$  = Total Average Gate Drive Current for All Phases

$I_Q$  = Quiescent Current of MIC2133

The junction temperature of the MIC2133 can be estimated using the equation below.

## EQUATION 5-43:

$$T_J = P_{IC} \times \theta_{JA} + T_A$$

Where:

$T_J$  = Junction Temperature of MIC2133

$T_A$  = Ambient Temperature

$P_{IC}$  = Power Dissipation of MIC2133

$\theta_{JA}$  = Junction-to-Ambient Thermal Resistance of MIC2133 (34°C/W typical)

The maximum recommended operating junction temperature for the MIC2133 is 125°C. Using the output voltage of the same switching converter when it is between 4.7V (typical) and 14V, as the voltage at the EXTVDD pin, significantly reduces the power dissipation inside the MIC2133. This reduces the junction temperature rise as illustrated further.

For a typical case of:

$V_{IN} = 36V$ ,  $V_{OUT} = 5V$ ,  $I_{G(TOTAL)} = 20\text{ mA}$ ,  $I_Q = 5\text{ mA}$ , and maximum ambient temperature of  $T_A = 85^\circ\text{C}$ .

When the EXTVDD pin is not used, the MIC2133 junction temperature is calculated as shown in the equation below.

## EQUATION 5-44:

$$P_{IC} = 36V \times (20\text{ mA} + 5\text{ mA})$$

$$P_{IC} = 0.9W$$

$$T_J = 0.9W \times 34^\circ\text{C}/W + 85^\circ\text{C}$$

$$T_J = 115.6^\circ\text{C}$$

When the EXTVDD is used and the 5V output of the MIC2133 buck converter is used as the input to the EXTVDD pin, the MIC2133 junction temperature is calculated as shown in the equation below. The junction temperature is significantly reduced from 115.6°C to 89.3°C when the EXTVDD is used.

## EQUATION 5-45:

$$P_{IC} = 5V \times (20\text{ mA} + 5\text{ mA})$$

$$P_{IC} = 0.125W$$

$$T_J = 0.125W \times 34^\circ\text{C}/W + 85^\circ\text{C}$$

$$T_J = 89.3^\circ\text{C}$$

## 5.10 Thermal Measurements

It is a good idea to measure the IC's case temperature to make sure it is within its operating limits. Although this might seem an elementary task, it is easy to get false results. The most common mistake is to use the standard thermal couple that comes with a thermal meter. This thermal couple wire gauge is large, typically 22 gauge, and behaves like a heatsink, which results in a lower-case temperature measurement.

There are two methods of temperature measurement: using a smaller thermal couple wire or using an infrared thermometer. If a thermal couple wire is used, it must be constructed of 36-gauge wire or higher (smaller wire size) to minimize the wire heat-sinking effect. In addition, the thermal couple tip must be covered in either thermal grease or thermal glue to ensure that the thermal couple junction makes good contact with the case of the IC. Wherever possible, an infrared thermometer is recommended. The measurement spot size of most infrared thermometers is too large for an accurate reading on small form factor ICs. However, an IR thermometer with a 1-mm spot size is a good choice for measuring the hottest point on the case. An optional stand can be used to make it easy to hold the beam on the IC for long periods of time. In addition, a more advanced, convenient and accurate infrared thermal camera can be used, although such equipment is much more expensive.

## 6.0 PCB LAYOUT GUIDELINES

**Note:** To minimize EMI and output noise, follow these layout recommendations.

PCB layout is critical to achieve reliable, stable and efficient performance. A ground plane is required to control EMI and minimize the inductance in power, signal and return paths. Use star ground technique between AGND and PGND, and minimize the trace length for high-current paths.

Follow these guidelines to ensure proper operation of the MIC2133 two-phase buck converter.

### 6.1 Integrated Circuit

- The 2.2  $\mu\text{F}$  ceramic capacitor, which is connected to the VDD pin, must be located right at the IC. The VDD pin is very noise-sensitive, so the placement of the capacitor is critical. Use wide traces to connect to the VDD, PVDD and PGND pins.
- Connect a 2.2  $\mu\text{F}$  ceramic capacitor to the EXTVDV pin, which must be located right at the IC.
- Connect the Analog Ground (AGND) pin directly to the ground planes. Do not route the AGND pin to the PGND pad on the top layer.
- Use thick traces and minimize trace length for the input and output power lines.
- Keep the analog and power grounds separate and connected at only one location.

### 6.2 Input Capacitor

- Use parallel input capacitors to minimize effective ESR and ESL of the input capacitor.
- Place input capacitors next to the high-side power MOSFETs for each phase channel.
- Place the input capacitors on the same side of the board and as close to the IC as possible.
- Connect the  $V_{\text{IN}}$  supply to the VIN pin through a 1.2 $\Omega$  resistor and connect a 1  $\mu\text{F}$  ceramic capacitor from the VIN pin to the PGND pin. Keep both the VIN pin and PGND connections short.
- Place several vias to the ground plane, close to the input capacitors' ground terminal.
- Use either X7R or X5R dielectric input capacitors. Do not use Y5V or Z5U-type capacitors.
- Do not replace the ceramic input capacitor with any other type of capacitor. Any type of capacitor can be placed in parallel with the input capacitor.
- In hot-plug applications, use an electrolytic bypass capacitor to limit the overvoltage spike seen on the input supply when power is suddenly applied.

### 6.3 Inductor

- Keep the inductor connection to the Switch node (SW1, SW2) short.
- Do not route any digital lines underneath or close to the inductor.
- Keep the Switch node (SW1, SW2) away from the Feedback (FBS) pin.
- Connect the CSPx and CSNx pins directly to the drain and source of the low-side power MOSFET, respectively, and route the CSP and CSN traces together for each phase channel to accurately sense the voltage across the low-side MOSFET to achieve accurate current sensing.
- To minimize noise, place a ground plane under the inductor.
- The inductor can be placed on the opposite side of the PCB with respect to the IC. It is recommended that there be sufficient vias on the power traces to conduct high current between the inductor, and the IC and output load. It does not matter whether the IC or inductor is on the top or bottom as long as there is enough heatsink and air flow to keep the power components within their temperature limits. Place the input and output capacitors on the same side of the board as the IC.

### 6.4 Output Capacitor

- Use a wide trace to connect the output capacitor ground terminal to the input capacitor ground terminal.
- It is recommended that the feedback trace be separate from the power trace and connected as close as possible to the output capacitor. Sensing a long high-current load trace can degrade the DC load regulation.

### 6.5 MOSFETs

- MOSFET gate drive traces must be short and wide. It is recommended that the ground plane be the connection between the MOSFET source and PGND.
- Choose a low-side MOSFET with a high  $C_{\text{GS}}/C_{\text{GD}}$  ratio and a low internal gate resistance to minimize the effect of  $dV/dt$  inducted turn-on.
- Use a 4.5V rated  $V_{\text{GS}}$  MOSFET. Its higher gate threshold voltage is more immune to glitches than a 2.5V or 3.3V-rated MOSFET.

### 6.6 $V_{\text{OUT}}$ Remote Sense

- The remote sense traces must be routed close together or on adjacent layers to minimize noise pickup. It is recommended that the traces be routed away from the switch node, inductors, MOSFETs and other high  $dV/dt$  or  $di/dt$  sources.

### 6.7 RC Snubber

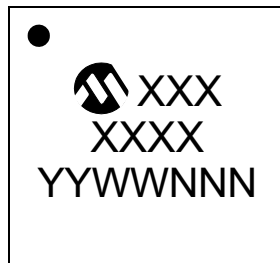
- Place the RC snubber on either side of the board and as close to the SW pin as possible.



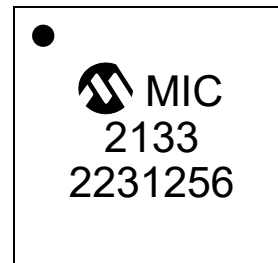
## 7.0 PACKAGING INFORMATION

### 7.1 Package Marking Information

32-Lead VQFN (5 mm x 5 mm)



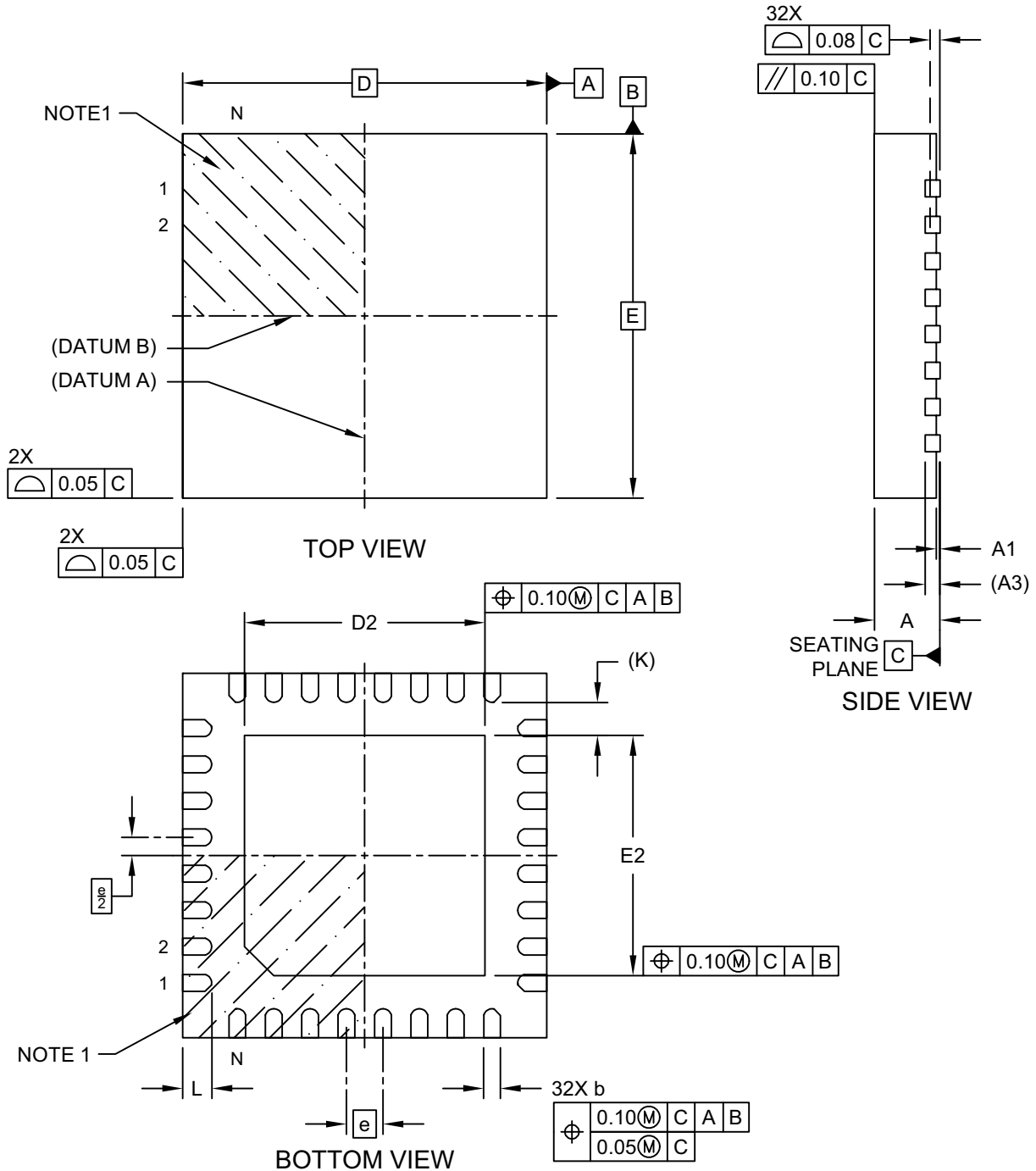
Example



|                |  |  |
|----------------|--|--|
| <b>Legend:</b> | XX...X   | Product code or customer-specific information  |
|                | Y  | Year code (last digit of calendar year)  |
|                | YY   | Year code (last 2 digits of calendar year)   |
|                | WW   | Week code (week of January 1 is week '01')   |
|                | NNN  | Alphanumeric traceability code   |
|                | (e3)   | Pb-free JEDEC designator for Matte Tin (Sn)  |
|                | *  | This package is Pb-free. The Pb-free JEDEC designator (e3) can be found on the outer packaging for this package. |
| <b>Note:</b>   | In the event the full Microchip part number cannot be marked on one line, it will be carried over to the next line, thus limiting the number of available characters for customer-specific information. Package may or may not include the corporate logo. |  |

## 32-Lead Very Thin Quad Flat, No Lead Package (QLA) - 5x5x0.9 mm Body [VQFN] With 3.3 mm Exposed Pad

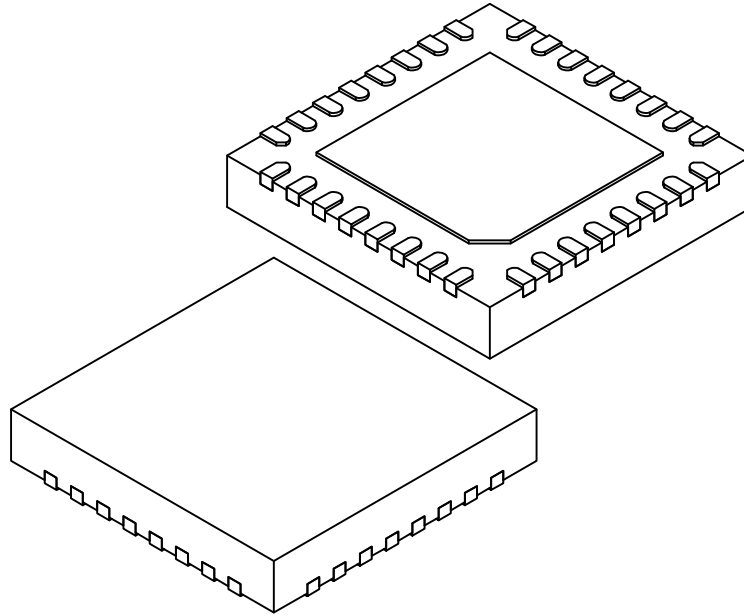
**Note:** For the most current package drawings, please see the Microchip Packaging Specification located at <http://www.microchip.com/packaging>



Microchip Technology Drawing C04-1285 Rev A Sheet 1 of 2

## 32-Lead Very Thin Quad Flat, No Lead Package (QLA) - 5x5x0.9 mm Body [VQFN] With 3.3 mm Exposed Pad

**Note:** For the most current package drawings, please see the Microchip Packaging Specification located at <http://www.microchip.com/packaging>



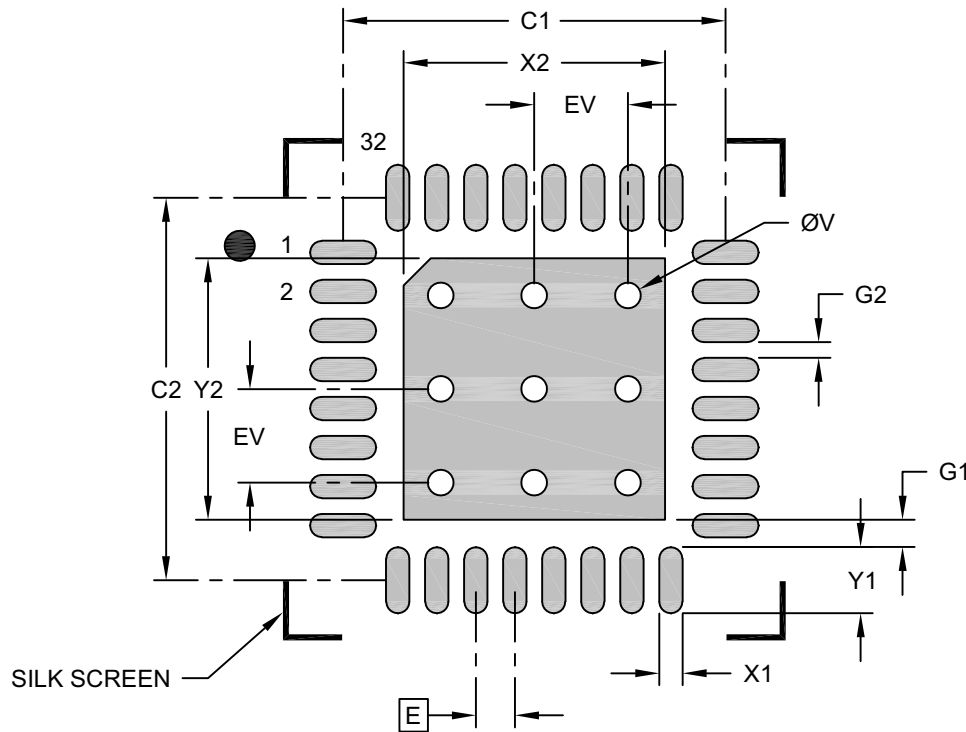
| Units                   |    | MILLIMETERS |      |      |
|-------------------------|----|-------------|------|------|
|                         |    | MIN         | NOM  | MAX  |
| Number of Terminals     | N  | 32          |      |      |
| Pitch                   | e  | 0.50 BSC    |      |      |
| Overall Height          | A  | 0.80        | 0.85 | 0.90 |
| Standoff                | A1 | 0.00        | 0.02 | 0.05 |
| Terminal Thickness      | A3 | 0.203 REF   |      |      |
| Overall Length          | D  | 5.00 BSC    |      |      |
| Exposed Pad Length      | D2 | 3.25        | 3.30 | 3.35 |
| Overall Width           | E  | 5.00 BSC    |      |      |
| Exposed Pad Width       | E2 | 3.25        | 3.30 | 3.35 |
| Terminal Width          | b  | 0.18        | 0.23 | 0.28 |
| Terminal Length         | L  | 0.35        | 0.40 | 0.45 |
| Terminal-to-Exposed-Pad | K  | 0.45 REF    |      |      |

**Notes:**

- Pin 1 visual index feature may vary, but must be located within the hatched area.
- Package is saw singulated
- Dimensioning and tolerancing per ASME Y14.5M  
 BSC: Basic Dimension. Theoretically exact value shown without tolerances.  
 REF: Reference Dimension, usually without tolerance, for information purposes only.

## 32-Lead Very Thin Quad Flat, No Lead Package (QLA) - 5x5x0.9 mm Body [VQFN] With 3.3 mm Exposed Pad

**Note:** For the most current package drawings, please see the Microchip Packaging Specification located at <http://www.microchip.com/packaging>



### RECOMMENDED LAND PATTERN

| Dimension Limits                 | Units | MILLIMETERS |      |      |
|----------------------------------|-------|-------------|------|------|
|                                  |       | MIN         | NOM  | MAX  |
| Contact Pitch                    | E     | 0.50 BSC    |      |      |
| Optional Center Pad Width        | X2    |             |      | 3.35 |
| Optional Center Pad Length       | Y2    |             |      | 3.35 |
| Contact Pad Spacing              | C1    |             | 4.90 |      |
| Contact Pad Spacing              | C2    |             | 4.90 |      |
| Contact Pad Width (X32)          | X1    |             |      | 0.30 |
| Contact Pad Length (X32)         | Y1    |             |      | 0.85 |
| Contact Pad to Center Pad (X32)  | G1    | 0.35        |      |      |
| Contact Pad to Contact Pad (X28) | G2    | 0.20        |      |      |
| Thermal Via Diameter             | V     |             | 0.33 |      |
| Thermal Via Pitch                | EV    |             | 0.20 |      |

**Notes:**

- Dimensioning and tolerancing per ASME Y14.5M  
BSC: Basic Dimension. Theoretically exact value shown without tolerances.
- For best soldering results, thermal vias, if used, should be filled or tented to avoid solder loss during reflow process

Microchip Technology Drawing C04-3285 Rev A

## APPENDIX A: REVISION HISTORY

### Revision B (July 2022)

- Added automotive qualification information to [Features](#) and [Product Identification System](#).

### Revision A (March 2022)

- Initial release of this document.

NOTES:

## PRODUCT IDENTIFICATION SYSTEM

To order or obtain information, e.g., on pricing or delivery, refer to the factory or the listed sales office.

| <u>PART NO.</u>                    | <u>X</u>                          | <u>XX</u>      | <u>-XX<sup>(1)</sup></u> | <u>XXX</u>           | <b>Examples:</b>  |
|------------------------------------|-----------------------------------|----------------|--------------------------|----------------------|---|
| <b>Device</b>                      | <b>Junction Temperature Range</b> | <b>Package</b> | <b>Media Type</b>        | <b>Qualification</b> |   |
| <b>Device:</b> MIC2133:            |                                   |                |                          |                      | a) MIC2133YML: 75V, Dual Phase Advanced COT Buck Controller with Selectable Droop Feature & Phase Shedding, -40°C to +125°C Junction Temperature Range, 32-Lead 5 mm x 5 mm VQFN Package, 73/Tube   |
|                                    |                                   |                |                          |                      | b) MIC2133YML-TR: 75V, Dual Phase Advanced COT Buck Controller with Selectable Droop Feature & Phase Shedding, -40°C to +125°C Junction Temperature Range, 32-Lead 5 mm x 5 mm VQFN Package, 3300/Reel  |
| <b>Junction Temperature Range:</b> | Y =                               |                |                          |                      | c) MIC2133YML-TRVAO: 75V, Dual Phase, Advanced COT Buck Controller, with Selectable Droop Feature & Phase Shedding, -40°C to +125°C Junction Temperature Range, 32-Lead 5 mm x 5 mm VQFN Package, 3300/Reel, Automotive AEC-Q100 Qualified  |
| <b>Package:</b>                    | ML =                              |                |                          |                      | <b>Note 1:</b> Tape and Reel identifier only appears in the catalog part number description. This identifier is used for ordering purposes and is not printed on the device package. Check with your Microchip Sales Office for package availability with the Tape and Reel option. |
| <b>Media Type:</b>                 | TR =                              |                |                          |                      |   |
|                                    | (Blank) =                         |                |                          |                      |   |
| <b>Qualification:</b>              | (Blank) =                         |                |                          |                      |   |
|                                    | VAO =                             |                |                          |                      |   |

NOTES:



---

**Note the following details of the code protection feature on Microchip products:**

- Microchip products meet the specifications contained in their particular Microchip Data Sheet.
- Microchip believes that its family of products is secure when used in the intended manner, within operating specifications, and under normal conditions.
- Microchip values and aggressively protects its intellectual property rights. Attempts to breach the code protection features of Microchip product is strictly prohibited and may violate the Digital Millennium Copyright Act.
- Neither Microchip nor any other semiconductor manufacturer can guarantee the security of its code. Code protection does not mean that we are guaranteeing the product is "unbreakable" Code protection is constantly evolving. Microchip is committed to continuously improving the code protection features of our products.

---

This publication and the information herein may be used only with Microchip products, including to design, test, and integrate Microchip products with your application. Use of this information in any other manner violates these terms. Information regarding device applications is provided only for your convenience and may be superseded by updates. It is your responsibility to ensure that your application meets with your specifications. Contact your local Microchip sales office for additional support or, obtain additional support at <https://www.microchip.com/en-us/support/design-help/client-support-services>.

THIS INFORMATION IS PROVIDED BY MICROCHIP "AS IS". MICROCHIP MAKES NO REPRESENTATIONS OR WARRANTIES OF ANY KIND WHETHER EXPRESS OR IMPLIED, WRITTEN OR ORAL, STATUTORY OR OTHERWISE, RELATED TO THE INFORMATION INCLUDING BUT NOT LIMITED TO ANY IMPLIED WARRANTIES OF NON-INFRINGEMENT, MERCHANTABILITY, AND FITNESS FOR A PARTICULAR PURPOSE, OR WARRANTIES RELATED TO ITS CONDITION, QUALITY, OR PERFORMANCE.

IN NO EVENT WILL MICROCHIP BE LIABLE FOR ANY INDIRECT, SPECIAL, PUNITIVE, INCIDENTAL, OR CONSEQUENTIAL LOSS, DAMAGE, COST, OR EXPENSE OF ANY KIND WHATSOEVER RELATED TO THE INFORMATION OR ITS USE, HOWEVER CAUSED, EVEN IF MICROCHIP HAS BEEN ADVISED OF THE POSSIBILITY OR THE DAMAGES ARE FORESEEABLE. TO THE FULLEST EXTENT ALLOWED BY LAW, MICROCHIP'S TOTAL LIABILITY ON ALL CLAIMS IN ANY WAY RELATED TO THE INFORMATION OR ITS USE WILL NOT EXCEED THE AMOUNT OF FEES, IF ANY, THAT YOU HAVE PAID DIRECTLY TO MICROCHIP FOR THE INFORMATION.

Use of Microchip devices in life support and/or safety applications is entirely at the buyer's risk, and the buyer agrees to defend, indemnify and hold harmless Microchip from any and all damages, claims, suits, or expenses resulting from such use. No licenses are conveyed, implicitly or otherwise, under any Microchip intellectual property rights unless otherwise stated.

For information regarding Microchip's Quality Management Systems, please visit [www.microchip.com/quality](http://www.microchip.com/quality).

**Trademarks**

The Microchip name and logo, the Microchip logo, Adaptec, AVR, AVR logo, AVR Freaks, BesTime, BitCloud, CryptoMemory, CryptoRF, dsPIC, flexPWR, HELDO, IGLOO, JukeBlox, KeeLoq, Klear, LANCheck, LinkMD, maXStylus, maXTouch, MediaLB, megaAVR, Microsemi, Microsemi logo, MOST, MOST logo, MPLAB, OptoLyzer, PIC, picoPower, PICSTART, PIC32 logo, PolarFire, Prochip Designer, QTouch, SAM-BA, SenGenuity, SpyNIC, SST, SST Logo, SuperFlash, Symmetricom, SyncServer, Tachyon, TimeSource, tinyAVR, UNI/O, Vectron, and XMEGA are registered trademarks of Microchip Technology Incorporated in the U.S.A. and other countries.

AgileSwitch, APT, ClockWorks, The Embedded Control Solutions Company, EtherSynch, Flashtec, Hyper Speed Control, HyperLight Load, Libero, motorBench, mTouch, Powermite 3, Precision Edge, ProASIC, ProASIC Plus, ProASIC Plus logo, Quiet-Wire, SmartFusion, SyncWorld, Temux, TimeCesium, TimeHub, TimePictra, TimeProvider, TrueTime, and ZL are registered trademarks of Microchip Technology Incorporated in the U.S.A.

Adjacent Key Suppression, AKS, Analog-for-the-Digital Age, Any Capacitor, AnyIn, AnyOut, Augmented Switching, BlueSky, BodyCom, Clockstudio, CodeGuard, CryptoAuthentication, CryptoAutomotive, CryptoCompanion, CryptoController, dsPICDEM, dsPICDEM.net, Dynamic Average Matching, DAM, ECAN, Espresso T1S, EtherGREEN, GridTime, IdealBridge, In-Circuit Serial Programming, ICSP, INICnet, Intelligent Paralleling, IntelliMOS, Inter-Chip Connectivity, JitterBlocker, Knob-on-Display, KoD, maxCrypto, maxView, memBrain, Mindi, MiWi, MPASM, MPF, MPLAB Certified logo, MPLIB, MPLINK, MultiTRAK, NetDetach, Omniscient Code Generation, PICDEM, PICDEM.net, PICkit, PICtail, PowerSmart, PureSilicon, QMatrix, REAL ICE, Ripple Blocker, RTAX, RTG4, SAM-ICE, Serial Quad I/O, simpleMAP, SimpliPHY, SmartBuffer, SmartHLS, SMART-I.S., storClad, SQI, SuperSwitcher, SuperSwitcher II, Switchtec, SynchroPHY, Total Endurance, Trusted Time, TSHARC, USBCheck, VariSense, VectorBlox, VeriPHY, ViewSpan, WiperLock, XpressConnect, and ZENA are trademarks of Microchip Technology Incorporated in the U.S.A. and other countries.

SQTP is a service mark of Microchip Technology Incorporated in the U.S.A.

The Adaptec logo, Frequency on Demand, Silicon Storage Technology, and Symmcom are registered trademarks of Microchip Technology Inc. in other countries.

GestIC is a registered trademark of Microchip Technology Germany II GmbH & Co. KG, a subsidiary of Microchip Technology Inc., in other countries.

All other trademarks mentioned herein are property of their respective companies.

© 2022, Microchip Technology Incorporated and its subsidiaries.

All Rights Reserved.

ISBN: 978-1-6683-0807-3



# MICROCHIP

## Worldwide Sales and Service

### AMERICAS

**Corporate Office**  
2355 West Chandler Blvd.  
Chandler, AZ 85224-6199  
Tel: 480-792-7200  
Fax: 480-792-7277  
Technical Support:  
<http://www.microchip.com/support>  
Web Address:  
[www.microchip.com](http://www.microchip.com)

#### Atlanta

Duluth, GA  
Tel: 678-957-9614  
Fax: 678-957-1455

#### Austin, TX

Tel: 512-257-3370

#### Boston

Westborough, MA  
Tel: 774-760-0087  
Fax: 774-760-0088

#### Chicago

Itasca, IL  
Tel: 630-285-0071  
Fax: 630-285-0075

#### Dallas

Addison, TX  
Tel: 972-818-7423  
Fax: 972-818-2924

#### Detroit

Novi, MI  
Tel: 248-848-4000

#### Houston, TX

Tel: 281-894-5983

#### Indianapolis

Noblesville, IN  
Tel: 317-773-8323  
Fax: 317-773-5453  
Tel: 317-536-2380

#### Los Angeles

Mission Viejo, CA  
Tel: 949-462-9523  
Fax: 949-462-9608  
Tel: 951-273-7800

#### Raleigh, NC

Tel: 919-844-7510

#### New York, NY

Tel: 631-435-6000

#### San Jose, CA

Tel: 408-735-9110  
Tel: 408-436-4270

#### Canada - Toronto

Tel: 905-695-1980  
Fax: 905-695-2078

### ASIA/PACIFIC

**Australia - Sydney**  
Tel: 61-2-9868-6733

**China - Beijing**  
Tel: 86-10-8569-7000

**China - Chengdu**  
Tel: 86-28-8665-5511

**China - Chongqing**  
Tel: 86-23-8980-9588

**China - Dongguan**  
Tel: 86-769-8702-9880

**China - Guangzhou**  
Tel: 86-20-8755-8029

**China - Hangzhou**  
Tel: 86-571-8792-8115

**China - Hong Kong SAR**  
Tel: 852-2943-5100

**China - Nanjing**  
Tel: 86-25-8473-2460

**China - Qingdao**  
Tel: 86-532-8502-7355

**China - Shanghai**  
Tel: 86-21-3326-8000

**China - Shenyang**  
Tel: 86-24-2334-2829

**China - Shenzhen**  
Tel: 86-755-8864-2200

**China - Suzhou**  
Tel: 86-186-6233-1526

**China - Wuhan**  
Tel: 86-27-5980-5300

**China - Xian**  
Tel: 86-29-8833-7252

**China - Xiamen**  
Tel: 86-592-2388138

**China - Zhuhai**  
Tel: 86-756-3210040

### ASIA/PACIFIC

**India - Bangalore**  
Tel: 91-80-3090-4444

**India - New Delhi**  
Tel: 91-11-4160-8631

**India - Pune**  
Tel: 91-20-4121-0141

**Japan - Osaka**  
Tel: 81-6-6152-7160

**Japan - Tokyo**  
Tel: 81-3-6880-3770

**Korea - Daegu**  
Tel: 82-53-744-4301

**Korea - Seoul**  
Tel: 82-2-554-7200

**Malaysia - Kuala Lumpur**  
Tel: 60-3-7651-7906

**Malaysia - Penang**  
Tel: 60-4-227-8870

**Philippines - Manila**  
Tel: 63-2-634-9065

**Singapore**  
Tel: 65-6334-8870

**Taiwan - Hsin Chu**  
Tel: 886-3-577-8366

**Taiwan - Kaohsiung**  
Tel: 886-7-213-7830

**Taiwan - Taipei**  
Tel: 886-2-2508-8600

**Thailand - Bangkok**  
Tel: 66-2-694-1351

**Vietnam - Ho Chi Minh**  
Tel: 84-28-5448-2100

### EUROPE

**Austria - Wels**  
Tel: 43-7242-2244-39  
Fax: 43-7242-2244-393

**Denmark - Copenhagen**  
Tel: 45-4485-5910  
Fax: 45-4485-2829

**Finland - Espoo**  
Tel: 358-9-4520-820

**France - Paris**  
Tel: 33-1-69-53-63-20  
Fax: 33-1-69-30-90-79

**Germany - Garching**  
Tel: 49-8931-9700

**Germany - Haan**  
Tel: 49-2129-3766400

**Germany - Heilbronn**  
Tel: 49-7131-72400

**Germany - Karlsruhe**  
Tel: 49-721-625370

**Germany - Munich**  
Tel: 49-89-627-144-0  
Fax: 49-89-627-144-44

**Germany - Rosenheim**  
Tel: 49-8031-354-560

**Israel - Ra'anana**  
Tel: 972-9-744-7705

**Italy - Milan**  
Tel: 39-0331-742611  
Fax: 39-0331-466781

**Italy - Padova**  
Tel: 39-049-7625286

**Netherlands - Drunen**  
Tel: 31-416-690399  
Fax: 31-416-690340

**Norway - Trondheim**  
Tel: 47-7288-4388

**Poland - Warsaw**  
Tel: 48-22-3325737

**Romania - Bucharest**  
Tel: 40-21-407-87-50

**Spain - Madrid**  
Tel: 34-91-708-08-90  
Fax: 34-91-708-08-91

**Sweden - Gothenberg**  
Tel: 46-31-704-60-40

**Sweden - Stockholm**  
Tel: 46-8-5090-4654

**UK - Wokingham**  
Tel: 44-118-921-5800  
Fax: 44-118-921-5820