



MIC2803/2804

High-Voltage High-Current Darlington Array

Not Recommended for New Designs

General

The MIC2803 and MIC2804 are high-voltage, high-current Darlington arrays ideal for switching high-power loads from logic-level TTL, CMOS, or PMOS control signals.

The MIC2803/4 Darlington transistor array can be used to manage multiple loads of up to 50V and 500mA, limited by package power dissipation.

The MIC2803 features inputs compatible with 5V TTL and CMOS logic while the MIC2804 features inputs compatible with 6V to 15V CMOS or PMOS logic outputs.

The MIC2803/4 is available in 18-pin plastic DIP and wide SOIC packages in the -40°C to $+85^{\circ}\text{C}$ temperature range.

Features

- Output voltage to 50V
- Output current to 500mA
- Open-collector outputs
- Integral clamp diodes
- TTL, CMOS, or PMOS compatible inputs

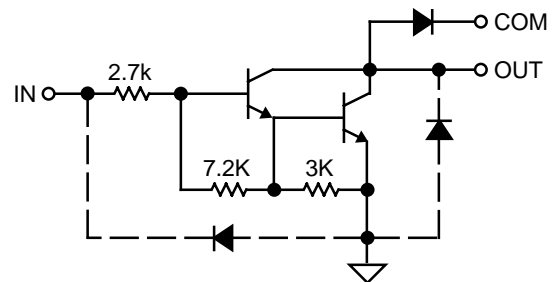
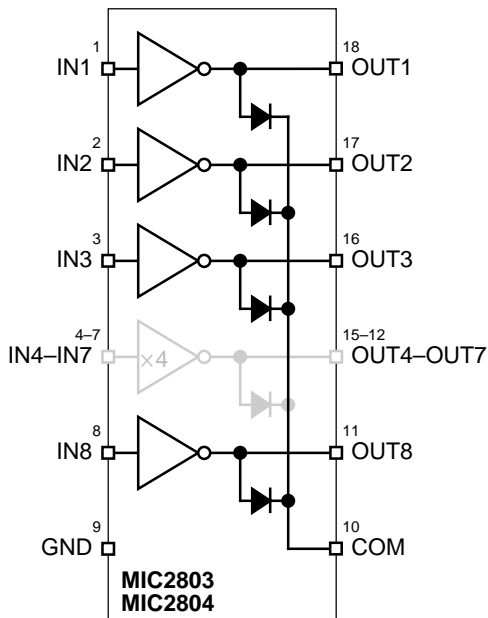
Applications

- Relay and solenoid switching
- Stepping motor
- LED and incandescent displays

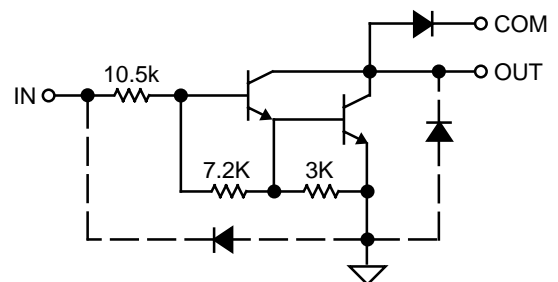
Ordering Information

Part Number	Temperature Range	Package
MIC2803BN	-40°C to $+85^{\circ}\text{C}$	18-pin DIP
MIC2803BWM	-40°C to $+85^{\circ}\text{C}$	18-pin wide SOIC
MIC2804BN	-40°C to $+85^{\circ}\text{C}$	18-pin DIP
MIC2804BWM	-40°C to $+85^{\circ}\text{C}$	18-pin wide SOIC

Functional Diagrams

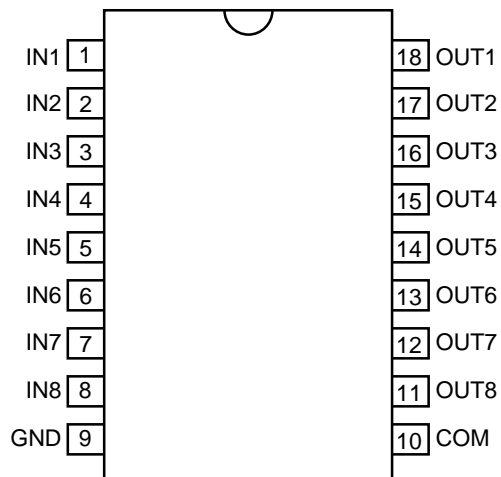


Typical MIC2803 Darlington Driver



Typical MIC2804 Darlington Driver

Pin Configuration



18-Pin DIP (N)
18-Pin Wide SOIC (WM)

Pin Description

Pin Number	Pin Name	Pin Function
1–8	IN1–IN8	Input 1 through Input 8: Base drive to Darlington transistor via current limiting resistor.
9	GND	Ground
10	COM	Clamp Diode Common
11–18	OUT8–OUT1	Output 8 through Output 1: Open collector output of Darlington transistor.

Absolute Maximum Ratings

Output Voltage (V_{CE})	50V
Continuous Output Current (I_C)	500mA
Input Voltage (V_{IN})	30V
Continuous Input Current (I_{IN})	25mA
Storage Temperature (T_S)	-65°C to +150°C

Operating Ratings

Ambient Temperature (T_A)	-40°C to +85°C
Package Thermal Resistance	
PDIP θ_{JA}	56°C/W
SOIC θ_{JA}	84°C/W

Electrical Characteristics

$V_{CC} = 50V$, $T_A = 25^\circ C$, unless noted.

Symbol	Parameter	Condition	Min	Typ	Max	Units
I_{CEX}	Output Leakage Current	$T_A = +25^\circ C$			50	μA
		$T_A = +70^\circ C$			100	μA
		MIC2804 $T_A = +85^\circ C, V_{IN} = 1.0V$			500	μA
$V_{CE(sat)}$	Collector-Emitter Saturation Voltage	$I_C = 100mA, I_{IN} = 250\mu A$		0.9	1.1	V
		$I_C = 200mA, I_{IN} = 350\mu A$		1.1	1.3	V
		$I_C = 350mA, I_{IN} = 500\mu A$		1.3	1.6	V
$I_{IN(on)}$	Input Current	MIC2803 $V_{IN} = 3.85V$		0.93	1.35	mA
		MIC2804 $V_{IN} = 5.0V$ $V_{IN} = 12V$		0.35 1.0	0.5 1.45	mA mA
$I_{IN(off)}$		$I_C = 500\mu A, T_A = +85^\circ C$	50	65		μA
$V_{IN(on)}$	Input Voltage	MIC2803 $V_{CE} = 2.0V, I_C = 200mA$ $V_{CE} = 2.0V, I_C = 250mA$ $V_{CE} = 2.0V, I_C = 300mA$			2.4	V
					2.7	V
					3.0	V
		MIC2804 $V_{CE} = 2.0V, I_C = 125mA$ $V_{CE} = 2.0V, I_C = 200mA$ $V_{CE} = 2.0V, I_C = 275mA$ $V_{CE} = 2.0V, I_C = 350mA$			5.0	V
					6.0	V
			7.0	V		
			8.0	V		
C_{IN}	Input Capacitance			15	25	pF
t_{ON}	Turn-On Delay	$0.5E_{IN}$ to $0.5E_{OUT}$		0.15	1.0	μs
t_{OFF}	Turn-Off Delay	$0.5E_{IN}$ to $0.5E_{OUT}$		0.05	1.0	μs
I_R	Clamp Diode Leakage Current	$V_R = 50V, T_A = +25^\circ C$			50	μA
		$V_R = 50V, T_A = +85^\circ C$			100	μA
V_F	Clamp Diode Forward Voltage	$I_F = 350mA$		1.7	2.0	V

General Note: Devices are ESD protected; however, handling precautions are recommended.