



## General Description

The MIC3000 enables the implementation of sophisticated, hot-pluggable fiber optic transceivers with intelligent laser control and Digital Diagnostic Monitoring Interface per SFF-8472. It essentially integrates all non-datapath functions of an SFP transceiver into a tiny 4mm × 4mm MLF™ package. It also works well as a microcontroller peripheral in transponders or 10Gbps transceivers.

A highly configurable automatic power control (APC) circuit controls laser bias. Bias and modulation are temperature compensated using dual DACs, an on-chip temperature sensor, and NVRAM look-up tables. A programmable internal feedback resistor provides unprecedented dynamic range for APC. Controlled laser turn-on facilitates hot-plugging.

An analog-to-digital converter converts the measured temperature, voltage, bias current, transmit power, and received power from analog-to-digital. Each parameter is compared against user-programmed warning and alarm thresholds. Analog comparators and DACs provide high-speed monitoring of received power and critical laser operating parameters.

An interrupt output, power-on hour meter, and data-ready bits add user friendliness beyond SFF-8472. The interrupt output and data-ready bits reduce overhead in the host system. The power-on hour meter logs operating hours using an internal real-time clock and stores the result in NVRAM.

Communication with the MIC3000 is via an industry standard 2-wire serial interface. Nonvolatile memory is provided for serial ID, configuration, and separate OEM and user scratchpad spaces. Two-level password protection guards against data corruption.

## Features

- APC or constant-current laser bias
- Supports multiple laser types and bias circuit topologies
- Drives external low-cost BJT for laser bias
- Integrated digital temperature sensor
- Temperature compensation of modulation, bias, and fault levels via NVRAM look-up tables
- Direct interface to SY88932, SY88982, SY89307 and other drivers
- NVRAM to support GBIC/SFP serial ID function
- User writable EEPROM scratchpad
- Diagnostic monitoring interface per SFF-8472
  - Monitors and reports critical parameters: temperature, bias current, TX and RX optical power, and supply voltage
  - S/W control and monitoring of TXFAULT, RXLOS, RATESELECT, and TXDISABLE
  - External calibration
- Power-on hour meter
- Interrupt capability
- Extensive test and calibration features
- 2-wire I<sup>2</sup>C compatible serial interface
- SFP MSA and SFF-8472 compliant
- 3.0V to 3.6V power supply range
- 5V-tolerant I/O
- 4mm × 4mm 24-pin MLF™ package

## Applications

- SFF/SFP optical transceivers
- SONET/SDH transceivers and transponders
- Fibre channel transceivers
- 10Gbps transceivers
- Free space optical communications
- Proprietary optical links

## Ordering Information

Part Number	Junction Temp. Range	Package
MIC3000BML	-45°C to +105°C	24-pin MLF™

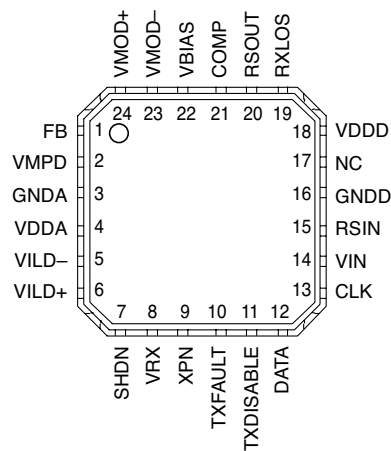
# Contents

<b>General Description</b> .....	1
<b>Features</b> .....	1
<b>Applications</b> .....	1
<b>Ordering Information</b> .....	1
<b>Pin Configuration</b> .....	5
<b>24-Lead MLF™</b> .....	5
<b>Pin Descriptions</b> .....	5-6
<b>Absolute Maximum Ratings</b> .....	7
<b>Operating Ratings</b> .....	7
<b>Electrical Characteristics</b> .....	7-11
<b>Timing Diagram</b> .....	11
<b>Serial Interface Timing</b> .....	11
<b>Address Map</b> .....	12
Table 1. MIC3000 Address Map, Serial address = A0h .....	12
Table 2. MIC3000 Address Map, Serial Address = A2h .....	12
Table 3. Temperature Compensation Tables, Serial Address = A4h .....	13
Table 4. OEM Configuration Registers, Serial Address = A6h .....	13
<b>Block Diagram</b> .....	14
Figure 1. MIC3000 Block Diagram .....	14
<b>Analog-to-Digital Converter/Signal Monitoring</b> .....	14
Figure 2. Analog-to-Digital Converter Block Diagram .....	15
Table 5. A/D Input Signal Ranges and Resolutions .....	15
Table 6. VAUX Input Signal Ranges and Resolutions .....	15
<b>External Calibration</b> .....	16
<b>Voltage</b> .....	16
<b>Temperature</b> .....	16
<b>Bias Current</b> .....	16
<b>TX Power</b> .....	16
<b>RX Power</b> .....	16
<b>Laser Diode Bias Control</b> .....	17
Figure 3. MIC3000 APC and Modulation Control Block Diagram .....	17
Figure 4. Programmable Feedback Resistor .....	17
<b>Laser Modulation Control</b> .....	17
<b>Figure 5. Transmitter Configurations Supported by MIC3000</b> .....	17
<b>Figure 6. VMOD Configured as Voltage Output with Gain</b> .....	18
<b>Power ON and Laser Start-Up</b> .....	19
Table 8. Shutdown State of SHDN vs. Configuration Bits .....	19
Figure 7. MIC3000 Power-On Timing (OE=1) .....	19
Table 9. Shutdown State of VBIAS vs. Configuration Bits .....	19
Table 10. Shutdown state of VMOD vs. Configuration bits .....	19
<b>Fault Comparators</b> .....	20
Figure 8. Fault Comparator Logic .....	20
<b>Duty-Cycle Limiting</b> .....	20
<b>Temperature Measurement</b> .....	20
<b>Diode Faults</b> .....	20
Figure 9. Saturation Detector .....	21
Figure 10. RXLOS Comparator Logic .....	21
<b>Temperature Compensation</b> .....	21
Table 11. Temperature Compensation Look-up Tables, Serial Address I2CADR + 4h .....	22

Table 12. APC Temperature Compensation Look-Up Table, Serial Address I2CADR+4h .....	23
Table 13. VMOD Temperature- Compensation Look-Up Table, Serial Address I2CADR+4h .....	23
Table 14. IBIAS Comparator Temperature Compensation Look-up Table, Serial Address I2CADR+4h .....	23
Table 15. Bias Current High Alarm Temperature Compensation Table, Serial Address I2CADR+4h .....	23
Table 16. Range of Temperature Compensation Tables vs. LUTOFF .....	24
Figure 11. Examples of LUTOFF Operation .....	24
Figure 12. Temperature Compensation Examples .....	25
<b>Alarms and Warning Flags .....</b>	<b>26</b>
<b>Table 17. MIC3000 Events .....</b>	<b>26</b>
<b>Control and Status I/O .....</b>	<b>26</b>
Figure 13. Control and Status I/O Logic .....	27
<b>System Timing .....</b>	<b>27</b>
Figure 14. Transmitter ON-OFF Timing .....	27
Figure 15. Initialization Timing with TXDISABLE Asserted .....	27
Figure 16. Initialization Timing, TXDISABLE Not Asserted .....	28
Figure 17. Loss-of-Signal (LOS) Timing .....	28
Figure 18. Transmit Fault Timing .....	28
Figure 19. Successfully Clearing a Fault Condition .....	29
Figure 20. Unsuccessful Attempt to Clear a Fault .....	29
<b>Warm Resets .....</b>	<b>30</b>
<b>Power-On Hour Meter .....</b>	<b>30</b>
Table 18. Power-On Hour Meter Result Format .....	30
<b>Test and Calibration Features .....</b>	<b>30</b>
Table 19. Test and Diagnostic Features .....	30
<b>Serial Port Operation .....</b>	<b>31</b>
Figure 21. Write Byte Protocol .....	31
Figure 22. Read Byte Protocol .....	31
Figure 23. Read_Word Protocol .....	31
<b>Page Writes .....</b>	<b>31</b>
Figure 24. Four-Byte Page_Write Protocol .....	32
<b>Acknowledge Polling .....</b>	<b>32</b>
<b>Write Protection and Data Security .....</b>	<b>32</b>
<b>User Password .....</b>	<b>32</b>
<b>Detailed Register Descriptions .....</b>	<b>33</b>
<b>Alarm Threshold Registers .....</b>	<b>33</b>
<b>Warning Threshold Registers .....</b>	<b>38</b>
<b>ADC Result Registers .....</b>	<b>44</b>
<b>Alarm Flags .....</b>	<b>47</b>
<b>Warning Flags .....</b>	<b>48</b>
<b>Applications Information .....</b>	<b>61</b>
<b>Controlling Laser Diode Bias .....</b>	<b>61</b>
Figure 25. Example APC Circuit for Common-Cathode TOSA .....	61
Figure 26. Example APC Circuit for Common Anode TOSA .....	61
<b>Choosing CCOMP .....</b>	<b>62</b>
Figure 27. Slew Rate vs. CCOMP Value .....	62
Figure 28. Open Loop Unity-Gain Bandwidth vs. CCOMP .....	62
Table 20. Typical Values for CCOMP .....	62
<b>Measuring Laser Bias Current .....</b>	<b>62</b>
<b>Interfacing To Laser Drivers .....</b>	<b>63</b>
<b>SY88912 3.3V 3.2Gbps SONET/SDH Laser Driver .....</b>	<b>63</b>
Figure 29. Controlling the SY88912 Modulation Current .....	63

Table 21. Control Range of SY88912 Modulation Control Circuit .....	63
<b>SY88932 3.3V 3.2Gbps SONET/SDH Laser Driver .....</b>	<b>63</b>
Figure 30. Controlling the SY88932 Modulation Current .....	63
<b>SY89307 5.0V/ 3.3V 2.5Gbps VCSEL Driver .....</b>	<b>64</b>
Figure 31. Controlling the SY89307 Modulation Current .....	64
<b>Laser Drivers Programmed via a Sink Current .....</b>	<b>64</b>
Figure 32. Controlling the Modulation Current via a Sink Current .....	64
<b>Drivers With Monitor Outputs .....</b>	<b>64</b>
<b>Shutdown Output .....</b>	<b>64</b>
Figure 33. Redundant Switch Circuits .....	65
<b>Temperature Sensing .....</b>	<b>65</b>
Table 23. Contributors to Self-Heating .....	65
<b>Remote Sensing .....</b>	<b>65</b>
Table 22. Transistors Suitable for Use as Remote Diodes .....	65
<b>Minimizing Errors .....</b>	<b>65</b>
<b>Self-Heating .....</b>	<b>65</b>
<b>Series Resistance with External Temperature Sensor .....</b>	<b>66</b>
<b>XPN Filter Capacitor Selection .....</b>	<b>66</b>
<b>XPN Layout Considerations .....</b>	<b>66</b>
Figure 34. Guard Traces and Kelvin Return for Remote Thermal Diode .....	66
<b>Layout Considerations .....</b>	<b>66</b>
<b>Small Form-Factor Pluggable (SFP) Transceivers .....</b>	<b>66</b>
Figure 35. Typical SFP Control and Status I/O Signal Routing (not to scale) .....	66
<b>Power Supplies .....</b>	<b>67</b>
Figure 36. Power Supply Routing and Bypassing .....	67
<b>Using The MIC3000 In a 5V System .....</b>	<b>67</b>
<b>Package Information .....</b>	<b>68</b>
24-Pin MLF™ (ML) .....	68

## Pin Configuration



24-Lead MLF™

## Pin Descriptions

Pin Number	Pin Name	Pin Function
1	FB	Analog Input. Feedback voltage for the APC loop op-amp . Polarity and scale are programmable via the APC configuration bits. Connect to $V_{BIAS}$ if APC is not used.
2	VMPD	Analog Input. Multiplexed A/D converter input for monitoring transmitted optical power via a monitor photodiode. In most applications, VMPD will be connected directly to FB. The input range is $0 - V_{REF}$ or $0 - V_{REF}/4$ depending on the setting of the APC configuration bits.
3	GNDA	Ground return for analog functions.
4	VDDA	Power supply input for analog functions.
5	VILD-	Analog Input. Reference terminal for the multiplexed pseudo-differential A/D converter inputs for monitoring laser bias current via a sense resistor (VILD+ is the sensing input). Tie to $V_{DD}$ or GND to reference the voltage sensed on VILD+ to $V_{DD}$ or GND respectively. Limited common-mode voltage range, see "Applications Information" section for more details.
6	VILD+	Analog Input. Multiplexed A/D input for monitoring laser bias current via a sense resistor (signal input); accommodates inputs referenced to $V_{DD}$ or GND (see pin 5 description). Limited common-mode voltage range, see "Applications Information" section for more details.
7	SHDN	Digital output; Programmable polarity. Asserted at the detection of a fault condition that can be used to activate a second series transistor in the laser current path, enhancing protection against single-point failures.
8	VRX	Analog Input. Multiplexed A/D converter input for monitoring received optical power. The input range is $0$ to $V_{REF-}$ .
9	XPN	Analog Input/Output. Optional connection to an external PN junction for sensing temperature at a remote location. The Zone bit in OEMCFG1 determines whether temperature is measured using the on-chip sensor or the remote PN junction.
10	TXFAULT	Digital Output; Open-Drain. A high level indicates a hardware fault impeding transmitter operation. The state of this input is always reflected in the TXFLT bit.

## Pin Descriptions

Pin Number	Pin Name	Pin Function
11	TXDISABLE	Digital Input; Active High. The transmitter is disabled when this line is high or the STXDIS bit is set. The state of this input is always reflected in the TXDIS bit.
12	DATA	Digital I/O; Open-drain. Bi-directional serial data input/output.
13	CLK	Digital Input; Serial bit clock input.
14	VIN	If bit 4 (IE) in USRCTL register is set to 0 (default), this pin is configured as analog input. If IE bit is set to 1, this pin is configured as open-drain output. Analog Input: Multiplexed A/D input for monitoring supply voltage. 0V to 5.5V input range. Open-drain output: outputs the internally generated interrupt signal /INT.
15	RSIN	Digital Input; Rate select input; ORed with rate select bit to determine the state of the RSOUT pin. The state of this pin is always reflected in the RSEL bit.
16	GNDD	Ground return for digital functions.
17	NC	No connection. This pin is used for test purposes and must be left unconnected.
18	VDDD	Power supply input for digital functions.
19	RXLOS	Digital Output; Active-High/Open-Drain. Indicates the loss of the received signal as indicated by a level of received optical power below the programmed RXLOS comparator threshold; may be wire-ORed with external signals. Low indicates normal operation. The LOS bit reflects the state of RXLOS whether driven by the MIC3000 or an external circuit.
20	RSOUT	Digital Output. Open-Drain. This output is controlled by the SRSEL bit ORed with RSIN input and is open drain only.
21	COMP	Analog Output, compensation terminal. Connect a capacitor between this pin and GNDA or V <sub>DDA</sub> with appropriate value to tune the APC loop time constant to a desirable value.
22	VBIAS	Analog Output. Buffered DAC output capable of sourcing or sinking up to 10mA under control of the APC function to drive an external transistor for laser diode D.C. bias. The output and feedback polarity are programmable to accommodate either a NPN or an PNP transistor to drive a common anode or common-cathode laser diode.
23	VMOD-	Analog Input. Inverting terminal of VMOD buffer op-amp. Connect to V <sub>MOD+</sub> (gain = 1) or feedback resistors network to set a different gain
24	VMOD+	Analog Output. Buffered DAC output to set the modulation current on the laser driver IC. Operates with either a 0–V <sub>REF</sub> or a (V <sub>DD</sub> –V <sub>REF</sub> )–V <sub>DD</sub> output swing so as to generate either a ground-referenced or a V <sub>DD</sub> referenced programmed voltage. A simple external circuit can be used to generate a programmable current for those drivers that require a current rather than a voltage input. See “Applications Information” section for more details.

**Absolute Maximum Ratings<sup>(1)</sup>**

Power Supply Voltage, $V_{DD}$ .....	+3.8V
Voltage on CLK, DATA, TXFAULT, VIN, RXLOS, DISABLE, RSIN .....	-0.3V to +6.0V
Voltage On Any Other Pin .....	-0.3V to $V_{DD}+0.3V$
Power Dissipation, $T_A = 85^\circ\text{C}$ .....	1.5W
Junction Temperature ( $T_J$ ) .....	150°C
Storage Temperature ( $T_S$ ) .....	-65°C to +150°C
<b>ESD Ratings<sup>(3)</sup></b>	
Human Body Model .....	2kV
Machine Model .....	300V
Soldering (20sec) .....	260°C

**Operating Ratings<sup>(2)</sup>**

Power Supply Voltage, $V_{DDA}/V_{DDD}$ .....	+3.0V to +3.6V
Ambient Temperature Range ( $T_A$ ) .....	-40°C to +105°C
<b>Package Thermal Resistance</b>	
MLF™ ( $\theta_{JA}$ ) .....	43°C/W

**Electrical Characteristics**

For typical values,  $T_A = 25^\circ\text{C}$ ,  $V_{DDA} = V_{DDD} = +3.3V$ , unless otherwise noted. **Bold** values are guaranteed for  $+3.0V \leq (V_{DDA} = V_{DDD}) \leq 3.6V$ ,  $T_{(min)} \leq T_A \leq T_{(max)}$ <sup>(8)</sup>

Symbol	Parameter	Condition	Min	Typ	Max	Units
<b>Power Supply</b>						
$I_{DD}$	Supply Current	CLK = DATA = $V_{DDD} = V_{DDA}$ ; TXDISABLE low; all DACs at full-scale; all A/D inputs at full-scale; all other pins open.		2.3	<b>3.5</b>	mA
		CLK = DATA = $V_{DDD} = V_{DDA}$ ; TXDISABLE high; FLTDAC at full-scale; all A/D inputs at full-scale; all other pins open.		2.3	<b>3.5</b>	mA
$V_{POR}$	Power-on Reset Voltage	All registers reset to default values; A/D conversions initiated.		2.9	<b>2.98</b>	V
$V_{UVLO}$	Under-Voltage Lockout Threshold	Note 5	2.6	2.73		V
$V_{HYST}$	Power-on Reset Hysteresis Voltage			170		mV
$t_{POR}$	Power-on Reset Time	$V_{DD} > V_{POR}$ <sup>(4)</sup>		50		μs
$V_{REF}$	Reference Voltage		<b>1.210</b>	1.225	<b>1.240</b>	V
$\Delta V_{REF}/\Delta V_{DDA}$	Voltage Reference Line Regulation			1.7		mV/V

**Temperature-to-Digital Converter Characteristics**

	Local Temperature Measurement Error	$-40^\circ\text{C} \leq T_A \leq +105^\circ\text{C}$ <sup>(6)</sup>		±1	±3	°C
	Remote Temperature Measurement Error	$-40^\circ\text{C} \leq T_A \leq +105^\circ\text{C}$ <sup>(6)</sup>		±1	±3	°C
$t_{CONV}$	Conversion Time	Note 4			<b>60</b>	ms
$t_{SAMPLE}$	Sample Period				<b>100</b>	ms

**Remote Temperature Input, XPN**

$I_F$	Current to External Diode <sup>(4)</sup>	XPN at high level, clamped to 0.6V.		192	400	μA
		XPN at low level, clamped to 0.6V.	7	12		μA

## Electrical Characteristics

Symbol	Parameter	Condition	Min	Typ	Max	Units
<b>Voltage-to-Digital Converter Characteristics (<math>V_{RX}</math>, <math>V_{AUX}</math>, <math>V_{BIAS}</math>, <math>V_{MPD}</math>, <math>V_{ILD+/-}</math>)</b>						
	Voltage Measurement Error	$-40^{\circ}\text{C} \leq T_A \leq +105^{\circ}\text{C}^{(6)}$		$\pm 1$	<b><math>\pm 2.0</math></b>	% fs
$t_{CONV}$	Conversion Time	Note 4			<b>10</b>	ms
$t_{SAMPLE}$	Sample Period	Note 4			<b>100</b>	ms
<b>Voltage Input, <math>V_{IN}</math> (Pin 14 used as an ADC Input)</b>						
$V_{IN}$	Input Voltage Range	$-0.3 \leq V_{DD} \leq 3.6\text{V}$	<b>GND</b>		<b>5.5</b>	V
$I_{LEAK}$	Input Current	$V_{IN} = V_{DD}$ or GND; $V_{AUX} = V_{IN}$		55		$\mu\text{A}$
$C_{IN}$	Input Capacitance			10		pF
<b>Digital-to-Voltage Converter Characteristics (<math>V_{MOD}</math>, <math>V_{BIAS}</math>)</b>						
	Accuracy	$-40^{\circ}\text{C} \leq T_A \leq +105^{\circ}\text{C}^{(6)}$		$\pm 1$	<b>20</b>	% fs
$t_{CONV}$	Conversion Time	Note 4			<b>20</b>	ms
DNL	Differential Non-linearity Error	Note 4		$\pm 0.5$	$\pm 1$	LSB
<b>Bias Current Sense Inputs, <math>V_{ILD+}</math>, <math>V_{ILD-}</math></b>						
$V_{ILD}$	Differential Input Signal Range, $ V_{ILD+} - V_{ILD-} $		0		$V_{REF}/4$	mV
$I_{IN+}$	$V_{ILD+}$ Input Current				$\pm 1$	$\mu\text{A}$
$I_{IN-}$	$V_{ILD-}$ Input Current $ V_{ILD+} - V_{ILD-}  = 0.3\text{V}$	$V_{ILD-}$ referred to $V_{DDA}$		+150		$\mu\text{A}$
		$V_{ILD-}$ referred to GND		-150		$\mu\text{A}$
$C_{IN}$	Input Capacitance			10		pF
<b>APC Op Amp, FB, <math>V_{BIAS}</math>, COMP</b>						
GBW	Gain Bandwidth Product	$C_{COMP} = 20\text{pF}$ ; Gain = 1		1		MHz
$TC_{VOS}$	Input Offset Voltage Temperature Coefficient <sup>(4)</sup>			1		$\mu\text{V}/^{\circ}\text{C}$
$V_{OUT}$	Output Voltage Swing	$I_{OUT} = 10\text{mA}$ , SRCE bit = 1	<b>GND</b>		<b>1.25</b>	V
		$I_{OUT} = -10\text{mA}$ , SRCE bit = 0	<b><math>V_{DDA} - 1.25</math></b>		<b><math>V_{DDA}</math></b>	V
$I_{SC}$	Output Short-Circuit Current			55		mA
$t_{SC}$	Short Circuit Withstand Time	$T_J \leq 150^{\circ}\text{C}^{(4)}$	$\infty$	$\infty$	$\infty$	sec
PSRR	Power Supply Rejection Ratio	$C_{COMP} = 20\text{pF}$ ; Gain = 1, to GND		55		dB
		$C_{COMP} = 20\text{pF}$ ; Gain = 1, to $V_{DD}$		40		
$A_{MIN}$	Minimum Stable Gain	$C_{COMP} = 20\text{pF}$ , Note 4			<b>1</b>	V/V
$\Delta V/\Delta t$	Slew Rate	$C_{COMP} = 20\text{pF}$ ; Gain = 1		3		V/ $\mu\text{s}$
$\Delta RFB$	Internal Feedback Resistor Tolerance			$\pm 20$		%
$\Delta RFB/\Delta t$	Internal Feedback Resistor Temperature Coefficient			25		ppm/C
$C_{IN}$	Pin Capacitance			10		pF



## Electrical Characteristics

Symbol	Parameter	Condition	Min	Typ	Max	Units
<b>V<sub>MOD</sub> Buffer Op-Amp, V<sub>MOD+</sub>, V<sub>MOD-</sub></b>						
GBW	Gain Bandwidth	C <sub>COMP</sub> = 20pF; Gain = 1		1		MHz
TC <sub>VOS</sub>	Input Offset Voltage Temperature Coefficient			1		μV/°C
I <sub>BIAS</sub>	V <sub>MOD</sub> – Input Current			±0.1	±1	μA
V <sub>OUT</sub>	Output Voltage Swing	I <sub>OUT</sub> = ±1mA	<b>GND+75</b>		<b>V<sub>DDA</sub>-75</b>	mV
I <sub>SC</sub>	Output Short-Circuit Current			35		mA
t <sub>SC</sub>	Short Circuit Withstand Time	T <sub>J</sub> ≤ 150°C <sup>(4)</sup>	∞	∞	∞	sec
PSRR	Power Supply Rejection Ratio	C <sub>COMP</sub> = 20pF; Gain = 1, to GND		65		dB
		C <sub>COMP</sub> = 20pF; Gain = 1, to V <sub>DD</sub>		44		dB
A <sub>MIN</sub>	Minimum Stable Gain	C <sub>COMP</sub> = 20pF			<b>1</b>	V/V
ΔV/ΔT	Slew Rate	C <sub>COMP</sub> = 20pF; Gain = 1		1		V/μs
C <sub>IN</sub>	Pin Capacitance			10		pF

### Control and Status I/O, TXDISABLE, TXFAULT, RSIN, RSOUT, SHDN, RXLOS, /INT

V <sub>IL</sub>	Low Input Voltage				<b>0.8</b>	V
V <sub>IH</sub>	High Input Voltage		<b>2.0</b>			V
V <sub>OL</sub>	Low Output Voltage	I <sub>OL</sub> ≤ 3mA			0.3	V
V <sub>OH</sub>	High Output Voltage (applies to SHDN only)	I <sub>OH</sub> ≤ 3mA			<b>V<sub>DDA</sub>-0.3</b>	V
I <sub>LEAK</sub>	Input Current				±1	μA
C <sub>IN</sub>	Input Capacitance			10		pF

### Transmit Optical Power Input, V<sub>MPD</sub>

V <sub>IN</sub>	Input Voltage Range	Note 4	<b>GND</b>		<b>V<sub>DDA</sub></b>	V
V <sub>RX</sub>	Input Signal Range	BIASREF=0	<b>0</b>		<b>V<sub>REF</sub></b>	V
		BIASREF=1	<b>V<sub>DDA</sub>-V<sub>REF</sub></b>		<b>V<sub>DDA</sub></b>	V
C <sub>IN</sub>	Input Capacitance	Note 4		10		pF
I <sub>LEAK</sub>	Input Current				±1	μA

### Received Optical Power Input, VRX, RXPOT

	Input Voltage Range	Note 4	<b>GND</b>		<b>V<sub>DDA</sub></b>	V
V <sub>RX</sub>	Valid Input Signal Range (ADC Input Range)		<b>0</b>		<b>V<sub>REF</sub></b>	V
C <sub>IN</sub>	Input Capacitance	Note 4		10		pF
I <sub>LEAK</sub>	Input Current				±1	μA

## Electrical Characteristics

Symbol	Parameter	Condition	Min	Typ	Max	Units
<b>Control and Status I/O Timing, TXFAULT, TXDISABLE, RSIN, RSOUT, and RXLOS</b>						
$t_{OFF}$	TXDISABLE Assert Time	From input asserted to optical output at 10% of nominal, $C_{COMP} = 10nF$ .			<b>10</b>	$\mu s$
$t_{ON}$	TXDISABLE De-assert Time	From input de-asserted to optical output at 90% of nominal, $C_{COMP} = 10nF$ .			<b>1</b>	ms
$t_{INIT}$	Initialization Time	From power on or transmitter enabled to optical output at 90% of nominal and TX_FAULT de-asserted. <sup>(4)</sup>			<b>300</b>	ms
$t_{INIT2}$	Power-on Initialization Time	From power on to APC loop enabled.			<b>200</b>	ms
$t_{FAULT}$	TXFAULT Assert Time	From fault condition to TXFAULT assertion. <sup>(4)</sup>			95	$\mu s$
$t_{RESET}$	Fault Reset Time	Length of time TXDISABLE must be asserted to reset fault condition.	<b>10</b>			$\mu s$
$t_{LOSS\_ON}$	RXLOS Assert Time	From loss of signal to RXLOS asserted.			95	$\mu s$
$t_{LOSS\_OFF}$	RXLOS De-assert Time	From signal acquisition to LOS de-asserted.			<b>100</b>	$\mu s$
$t_{DATA}$	Analog Parameter Data Ready	From power on to valid analog parameter data available. <sup>(4)</sup>			<b>400</b>	ms
$t_{PROP\_IN}$	TXFAULT, TXDISABLE, RXLOS, RSIN Input Propagation Time	Time from input change to corresponding internal register bit set or cleared. <sup>(4)</sup>			<b>1</b>	$\mu s$
$t_{PROP\_OUT}$	TXFAULT, RSOUT, /INT Output Propagation Time	From an internal register bit set or cleared to corresponding output change. <sup>(4)</sup>			<b>1</b>	$\mu s$

### Fault Comparators

$\Phi_{FLTMR}$	Fault Suppression Timer Clock Period	Note 4	<b>0.475</b>	0.5	<b>0.525</b>	ms
	Accuracy		-3		+3	%F.S.
$t_{REJECT}$	Glitch Rejection	Maximum length pulse that will not cause output to change state. <sup>(4)</sup>	4.5			$\mu s$
$V_{SAT}$	Saturation Detection Threshold	High level		95		%VDDA
		Low level		5		%VDDA

### Power-On Hour Meter

	Timebase Accuracy	$0^{\circ}C \leq T_A \leq +70^{\circ}C$ <sup>(4)</sup>	<b>+5</b>		<b>-5</b>	%
		$-40^{\circ}C \leq T_A \leq +105^{\circ}C$	<b>+10</b>		<b>-10</b>	%
	Resolution	Note 4		10		hours

### Non-Volatile (FLASH) Memory

$t_{WR}$	Write Cycle Time <sup>(8)</sup>	From STOP of a one to four-byte write transaction. <sup>(4)</sup>			<b>13</b>	ms
	Data Retention		<b>100</b>			years
Endurance	Minimum Permitted Number Write Cycles		<b>10,000</b>			cycles

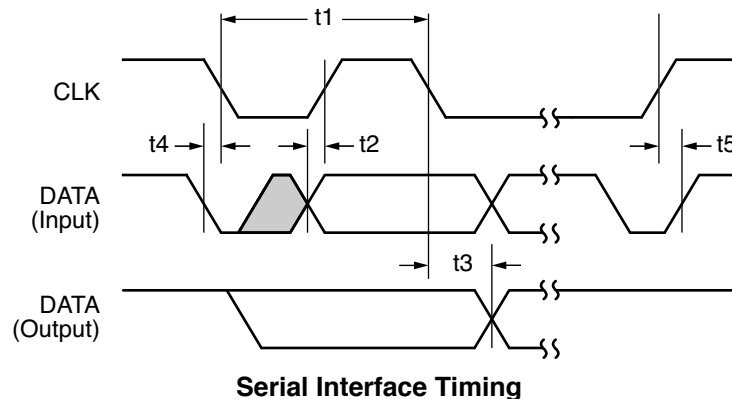
## Electrical Characteristics

Symbol	Parameter	Condition	Min	Typ	Max	Units
<b>Serial Data I/O Pin, DATA</b>						
$V_{OL}$	Low Output Voltage	$I_{OL} = 3mA$			0.4	V
		$I_{OL} = 6mA$			0.6	V
$V_{IL}$	Low Input Voltage				0.8	V
$V_{IH}$	High Input Voltage		2.1			V
$I_{LEAK}$	Input Current				$\pm 1$	$\mu A$
$C_{IN}$	Input Capacitance	Note 4		10		pF
<b>Serial Clock Input, CLK</b>						
$V_{IL}$	Low Input Voltage	$2.7V \leq V_{DD} \leq 3.6V$			0.8	V
$V_{IH}$	High Input Voltage	$2.7V \leq V_{DD} \leq 3.6V$	2.1			V
$I_{LEAK}$	Input Current				$\pm 1$	$\mu A$
$C_{IN}$	Input Capacitance	Note 4		10		pF
<b>Serial Interface Timing<sup>(4)</sup></b>						
$t_1$	CLK (clock) Period		2.5			$\mu s$
$t_2$	Data in Setup Time to CLK High		100			ns
$t_3$	Data Out Stable After CLK Low		300			ns
$t_4$	DATA Low Setup Time to CLK Low	Start Condition	100			ns
$t_5$	DATA High Hold Time After CLK High	Stop Condition	100			ns
$t_{DATA}$	Data Ready Time	From power on to completion of one set of ADC conversions; analog data available via serial interface.			400	ms
$t_{TO}$	BUS Timeout	CLK Low	25	30	35	ms

### Notes:

- Exceeding the absolute maximum rating may damage the device.
- The device is not guaranteed to function outside its operating rating.
- Devices are ESD sensitive. Handling precautions recommended.
- Guaranteed by design and/or testing of related parameters. Not 100% tested in production.
- The MIC3000 will attempt to enter its shutdown state when  $V_{DD}$  falls below  $V_{UVLO}$ . This operation requires time to complete. If the supply voltage falls too rapidly, the operation may not be completed.
- Does not include quantization error.
- Final test on outgoing product is performed at  $T_A = +25^\circ C$ .
- The MIC3000 will not respond to serial bus transactions during an EEPROM write-cycle. The host will receive a NACK during  $t_{WR}$ .

## Timing Diagram



## Address Map

Address(s)	Field Size (Bytes)	Name	Description
0 - 95	96	Serial ID defined by SEP MSA	G-P NVRAM; R/W under valid OEM password.
96 - 127	32	Vendor Specific	Vendor specific EEPROM
128 - 255	128	Reserved	Reserved for future use. G-P NVRAM; R/W under valid OEM password.

**Table 1. MIC3000 Address Map, Serial address = A0<sub>h</sub>**

Address		Field Size (Bytes)	Name	Description
HEX	DEC			
00–27	0–39	40	Alarm and Warning Thresholds	High/low limits for warning and alarms; write-able using OEM p/w; read-only otherwise.
28–37	40–55	16	Reserved	Reserved – do not write; reads undefined.
38–5B	56–91	36	Calibration Constants	Numerical constants for external calibration; writeable using OEM p/w; read-only otherwise.
5C–5E	92–94	3	Reserved	Reserved – do not write; reads undefined.
5F	95	1	Checksum	G-P NVRAM; writeable using OEM p/w; read-only otherwise.
60–69	96–105	10	Analog Data	Real time analog parameter data.
6A–6D	106–109	4	Reserved	Reserved for future definition of digitized analog input– do not write; reads undefined.
6E	110	1	Control/Status bits	Control and status bits.
6F	111	1	Reserved	Reserved – do not write; reads undefined.
70–71	112–113	2	Alarm Flags	Alarm status bits; read-only.
72–73	114–115	2	Reserved	Reserved–do not write; reads undefined.
74–75	116–117	2	Warning Flags	Warning status bits; read-only.
76–77	118–119	2	Reserved	Reserved – do not write; reads undefined.
78–7B	120–123	4	OEMPW	OEM password entry field.
7C–7F	124–127	4	Vendor Specific	Vendor specific. Reserved–do not write; reads undefined.
80–F7	128–247	120	User Scratchpad	User writable EEPROM. G-P NVRAM; R/W using any valid password.
F8–F9	248–249	2	Reserved	Reserved – do not write; reads undefined.
FA	250	1	USRPWSET	User password setting; read/write using any p/w; returns zero otherwise.
FB	251	1	USRPW	Entry field for user password.
FC–FD	252–253	2	POH	Power-on hour meter result; read-only.
FE	254	1	Data Ready Flags	Data ready bits for each measured parameter; read-only.
FF	255	1	User Control	End-user control and status bits.

**Table 2. MIC3000 Address Map, Serial Address = A2<sub>h</sub>**

Address(s)		Field Size (Bytes)	Name	Description
HEX	DEC			
00–3F	0–63	64	APCLUTn	A.P.C. temperature compensation L.U.T.
40–7F	64–127	64	MODLUTn	VMOD temperature compensation L.U.T.
80–BF	128–191	64	IFLTLUT	Bias current fault threshold temperature compensation L.U.T.
C0–FF	192–255	64	EOLLUTn	Bias current high alarm threshold temperature compensation L.U.T.

**Table 3. Temperature Compensation Tables, Serial Address = A4<sub>h</sub>**

Address		Field Size (Bytes)	Name	Description
HEX	DEC			
00	0	1	OEMCFG0	Control/status bits
01	1	1	OEMCFG1	Control/status bits
02	2	1	OEMCFG2	Control/status bits
03	3	1	APCSET0	APC setpoint 0
04	4	1	APCSET1	APC setpoint 1
05	5	1	APCSET2	APC setpoint 2
06	6	1	MODSET	Nominal modulation DAC setpoint
07	7	1	IBFLT	Bias current fault-comparator threshold
08	8	1	TXPFLT	TX power fault threshold
09	9	1	LOSFLT	RX LOS fault-comparator threshold
0A	10	1	FLTTMR	Fault comparator masking interval timer setting
0B	11	1	FLTMSK	Fault source mask bits
0C–0F	12–15	4	OEMPWSET	Password for access to OEM areas
10	16	1	OEMCAL0	OEM calibration register 0
11	17	1	OEMCAL1	OEM calibration register 1
12	18	1	LUTINDX	Look-up table index read-back
13	19	1	RESERVED	Reserved - do not write; reads undefined
14	20	1	APCDAC	Reads back current APC DAC setting
15	21	1	MODDAC	Reads back current modulation DAC setting
16	22	1	OEMREAD	Reads back OEM calibration data
17–1F	23–31	6	RESERVED	Reserved - do not write; reads undefined
20–27	32–39	8	POHDATA	Power-on hour meter scratchpad
28–7D	40–125	85	RESERVED	Reserved—do not write; reads undefined
7E–FD	126–253	128	SCRATCH	OEM scratchpad area
FE	254	1	MFG_ID	Manufacturer identification (Micrel = 42)
FF	255	1	DEV_ID	Device and die revision

**Table 4. OEM Configuration Registers, Serial Address = A6<sub>h</sub>**

## Block Diagram

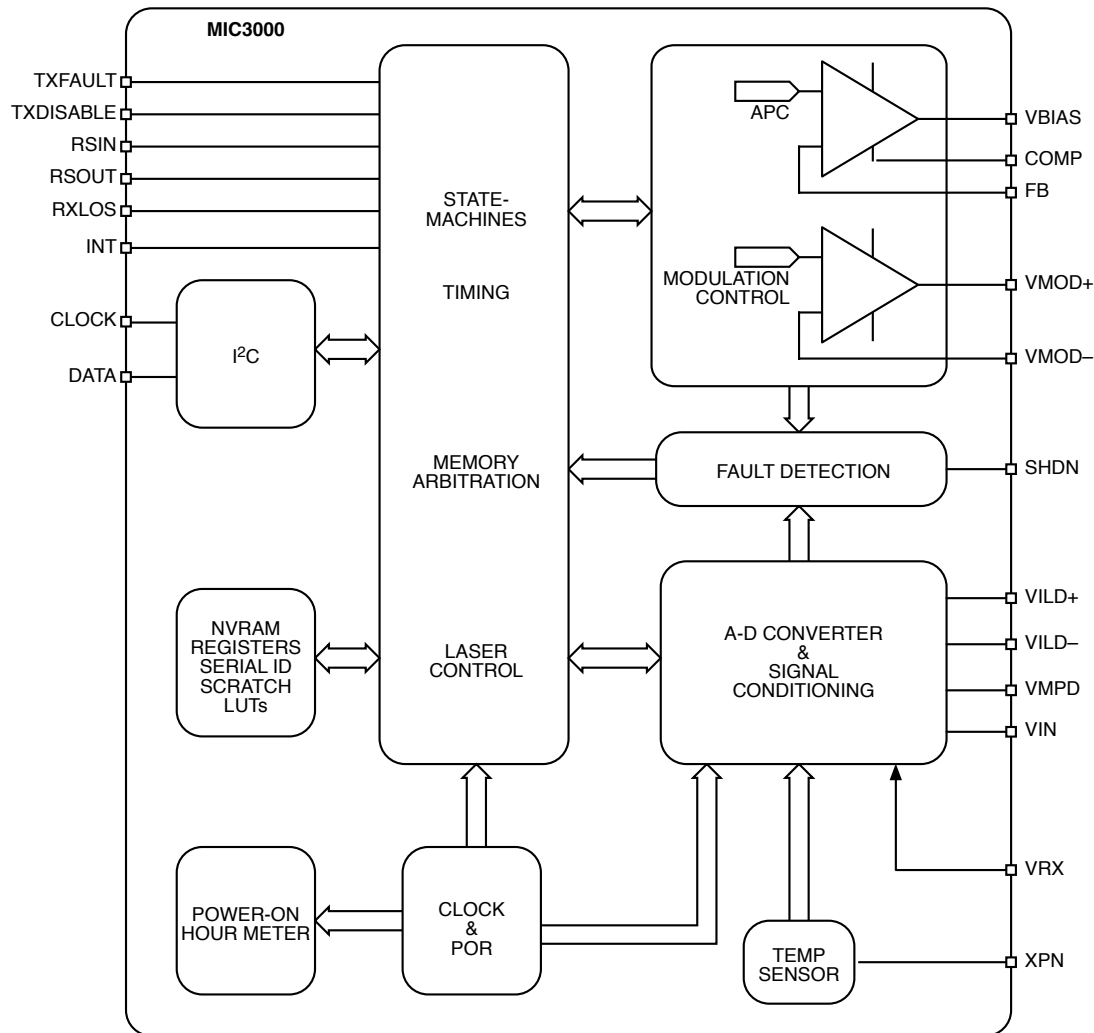


Figure 1. MIC3000 Block Diagram

### Analog-to-Digital Converter/Signal Monitoring

A block diagram of the monitoring circuit is shown below. Each of the five analog parameters monitored by the MIC3000 are sampled in sequence. All five parameters are sampled and the results updated within the  $t_{CONV}$  internal given in the “Electrical Characteristics” section. In OEM Mode, the channel that is normally used to measure  $V_{IN}$  may be assigned to

measure the level of the  $V_{DDA}$  pin or one of five other nodes. This provides a kind of analog loopback for debug and test purposes. The  $V_{AUX}$  bits in OEMCFG0 control which voltage source is being sampled. The various  $V_{AUX}$  channels are level-shifted differently depending on the signal source, resulting in different LSB values and signal ranges. See Table 5.

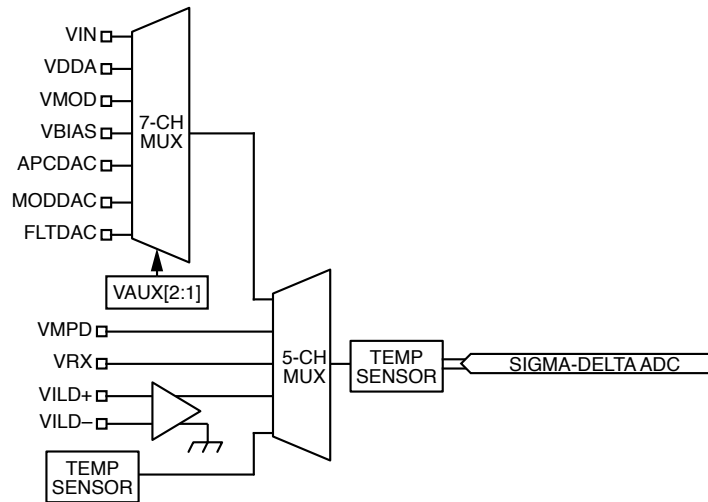


Figure 2. Analog-to-Digital Converter Block Diagram

Channel	ADC Resolution (bits)	Conditions	Input Range (V)	LSB <sup>(1)</sup>
TEMP	8		N/A	1°C
VAUX	8	See Table 6		
VMPD	8	GAIN = 0; BIASREF = 0	$G_NDA - V_{REF}$	4.77mV
		GAIN = 0; BIASREF = 1	$V_{DDA} - (V_{DDA} - V_{REF})$	
		GAIN = 1; BIASREF = 0	$G_NDA - V_{REF}/4$	1.17mV
		GAIN = 1; BIASREF = 1	$V_{DDA} - (V_{DDA} - V_{REF}/4)$	
VILD	8	VILD- = $V_{DDA}$	$V_{DDA} - (V_{DDA} - V_{REF})$	4.77mV
		VILD- = $G_NDA$	$G_NDA - V_{REF}$	
VRX	8	n/a	$0 - V_{REF}$	4.77mV

Table 5. A/D Input Signal Ranges and Resolutions

**Note:**

1. Assumes typical  $V_{REF}$  value of 1.22V.

Channel	$V_{AUX}[2:0]$	Input Range (V)	LSB <sup>(1)</sup> (mV)
$V_{IN}$	000 = 00 <sub>h</sub>	0V to 5.5V	25.6mV
$V_{DDA}$	001 = 01 <sub>h</sub>	0V to 5.5V	25.6mV
$V_{BIAS}$	010 = 02 <sub>h</sub>	0V to 5.5V	25.6mV
$V_{MOD}$	011 = 03 <sub>h</sub>	0V to 5.5V	25.6mV
APCDAC	100 = 04 <sub>h</sub>	0V to $V_{REF}$	4.77mV
MODDAC	101 = 05 <sub>h</sub>	0V to $V_{REF}$	4.77mV
FLTDAC	110 = 06 <sub>h</sub>	0V to $V_{REF}$	4.77mV

Table 6.  $V_{AUX}$  Input Signal Ranges and Resolutions

**Note:**

1. Assumes typical  $V_{REF}$  value of 1.22V.

## External Calibration

The MIC3000 is designed to support the implementation of an optical transceiver employing external calibration, as described by SFF-8472, Digital Monitoring Interface specifications. The voltage and temperature values returned by the MIC3000's A/D converter are internally calibrated. The binary values of TEMPh:TEMPI and VOLTh:VOLTI are in the format called for by SFF-8472 under Internal Calibration. However, since the other parameters are not internally calibrated, an MIC3000-based transceiver must be labeled as externally calibrated.

SFF-8472 calls for a set of calibration constants to be stored by the transceiver OEM at specific non-volatile memory locations, refer to SFF-8472 specifications for memory map of calibration coefficient. The MIC3000 provides the non-volatile memory required for the storage of these constants. The Digital Diagnostic Monitoring Interface specification should be consulted for full details. Slopes and offsets are stored for use with voltage, temperature, bias current, and transmitted power measurements. Coefficients for a fourth-order polynomial are provided for use with received power measurements. The host system can retrieve these constants and use them to process the measured data. Since voltage and temperature require no calibration, the corresponding slopes should generally be set to unity and the offsets to zero.

### Voltage

The voltage values returned by the MIC3000's A/D converter are internally calibrated. The binary values of VOLTh:VOLTI are in the format called for by SFF-8472 under Internal Calibration. Since VINh:VINI requires no processing, the corresponding slope should be set to unity and the offset to zero.

### Temperature

The temperature values returned by the MIC3000's A/D converter are internally calibrated. The binary values of TEMPh:TEMPI are in the format called for by SFF-8472 under Internal Calibration. Since TEMPh:TEMPI requires no processing, the corresponding slope should be set to unity and the offset to zero.

### Bias Current

Bias current is sensed via an external sense resistor as a voltage appearing at VILD+ and VILD-. The value returned by the A/D is therefore a voltage analogous to bias current. Bias current,  $I_{BIAS}$ , is simply  $V_{VILD}/R_{SENSE}$ . The binary value in IBIASh (IBIASl is always zero) is related to bias current by:

$$I_{BIAS} = \frac{(0.300V) \left( \frac{IBIASh}{255} \right)}{R_{SENSE}} \quad (1)$$

The value of the least significant bit (LSB) of IBIASh is given by:

$$LSB(IBIASh) = \frac{0.300V}{255 \times R_{SENSE}} \text{ Amps} = \frac{300mV}{255 \times R_{SENSE}} \text{ mA} = \frac{1191.4}{R_{SENSE}} \mu\text{A} \quad (2)$$

Per SFF-8472, the value of the bias current LSB is  $2\mu\text{A}$ . The conversion factor, "slope", needed is therefore:

$$\text{Slope} = \frac{1191.4\mu\text{A}}{2\mu\text{A} \times R_{SENSE}} = 595.7 \div R_{SENSE}$$

The tolerance of the sense resistor directly impacts the accuracy of the bias current measurement. It is recommended that the sense resistor chosen maintain accuracy of 1% or better. The offset correction, if needed, can be determined by shutting down the laser, i.e., asserting TXDISABLE, and measuring the bias current. Any non-zero result gives the offset required. The offset will be equal and opposite to the result of the "zero current" measurement.

### TX Power

Transmit power is sensed via an external sense resistor as a voltage appearing at VMPD. It is assumed that this voltage is generated by a sense resistor carrying the monitor photodiode current. In most applications, the signal at VMPD will be feedback voltage on FB. The VMPD voltage may be measured relative to GND or  $V_{DDA}$  depending on the setting of the BIASREF bit in OEMCFG1. The value returned by the A/D is therefore a voltage analogous to transmit power. The binary value in TXOPh (TXOPl is always zero) is related to transmit power by:

$$P_{TX}(\text{mW}) = \frac{K \times V_{REF} \left( \frac{TXOPh}{255} \right)}{R_{SENSE}} = \frac{K \times (1220\text{mV}) \left( \frac{TXOPh}{255} \right)}{R_{SENSE}} \quad (3)$$

$$= \frac{K \times 4.75656 \times TXOPh}{R_{SENSE}} \text{ mW}$$

For a given implementation, the value of  $R_{SENSE}$  is known. It is either the value of the external resistor or the chosen value of RFB used in the application. The constant, K, will likely have to be determined through experimentation or closed-loop calibration, as it depends on the monitoring photodiode responsivity and coupling efficiency.

It should be noted that the APC circuit acts to hold the transmitted power constant. The value of transmit power reported by the circuit should only vary by a small amount as long as APC is functioning correctly.

### RX Power

Received power is sensed as a voltage appearing at VRX. It is assumed that this voltage is generated by a sense resistor carrying the receiver photodiode current. The value returned by the A/D is therefore a voltage analogous to received power. The binary value in RXOPh (RXOPl is always zero) is related to received power by:

$$P_{RX}(\text{mW}) = K \times V_{REF} \times \frac{RXOPh}{255} = K \times 1220\text{mV} \times \frac{RXOPh}{255} \text{ mW} \quad (4)$$

For a given implementation, the constant, K, will likely have to be determined through experimentation or closed-loop calibration, as it depends on the gain and efficiencies of the components upstream. In SFF-8472 implementations, the external calibration constants can describe up to a fourth-order polynomial in case K is nonlinear.

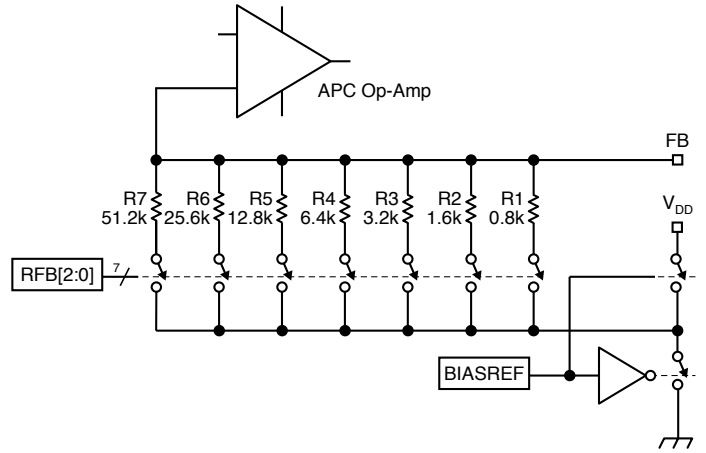


**Laser Diode Bias Control**

The MIC3000 can be configured to generate a constant bias current using electrical feedback, or regulate average transmitted optical power using a feedback signal from a monitor photodiode, see Figure 3. An operational amplifier is used to control laser bias current via the  $V_{BIAS}$  output. The  $V_{BIAS}$  pin can drive a maximum of  $\pm 10\text{mA}$ . An external bipolar transistor provides current gain. The polarity of the op amp's output is programmable BIASREF in OEMCFG1 in order to accommodate either NPN or PNP transistors that drive common anode and common cathode laser, respectively. Additionally, the polarity of the feedback signal is programmable for use with either common-emitter or emitter-follower transistor circuits.

Furthermore, the reference level for the APC circuit is selectable to accommodate electrical, i.e., current feedback, or optical feedback via a monitor photodiode. Finally, any one of seven different internal feedback resistors can be selected. This internal resistor can be used alone or in parallel with an external resistor. This wide range of adjustability (50:1) accommodates a wide range of photodiode current, i.e. wide range of transmitter output power. The APC operating point can be kept near the mid-scale value of the APC DAC, insuring maximum SNR, maximum effective resolution for digital diagnostics, and the widest possible DAC adjustment range for temperature compensation, etc. See Figure 4.

The APCCAL bit in OEMCAL0 is used to turn the APC function on and off. It will be turned off in the MIC3000's default state as shipped from the factory. When APC is on, the value in the selected APCSETx register is added to the signed value taken from the APC look-up table and loaded into the  $V_{BIAS}$  DAC. When APC is off, the  $V_{BIAS}$  DAC may be written directly via the  $V_{BIAS}$  register, bypassing the look-up table entirely. This provides direct control of the laser diode bias during setup and calibration. In either case, the  $V_{BIAS}$  DAC setting is reported in the APCDAC register. The APCCFG bits determine the DACs response to higher or lower numeric values.

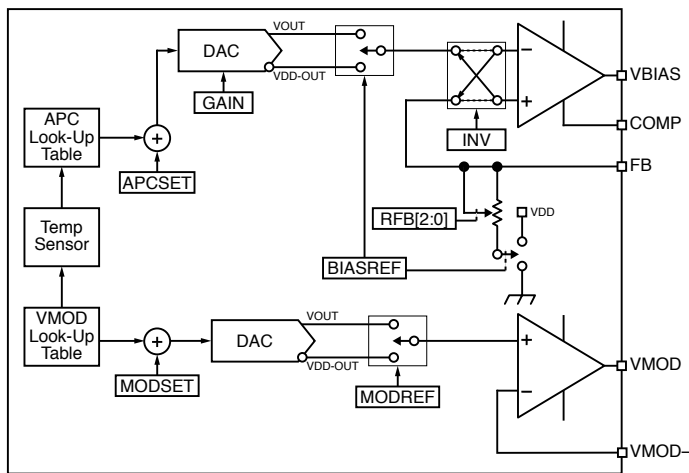


**Figure 4. Programmable Feedback Resistor**

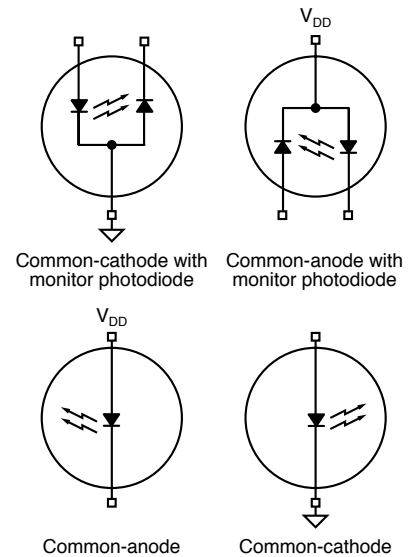
**Laser Modulation Control**

As shown in Figure 3, a temperature-compensated DAC is provided to set and control the laser modulation current via an external laser driver circuit. MODREF in OEMCFG0 selects whether the  $V_{MOD}$  DAC output swings up from ground or down from  $V_{DD}$ . If the laser driver requires a voltage input to set the modulation current, the MIC3000's  $V_{MOD}$  output can drive it directly. If a current input is required, a fixed resistor can be used between the driver and the  $V_{MOD}$  output. Several different configurations are possible, as shown in Figure 6.

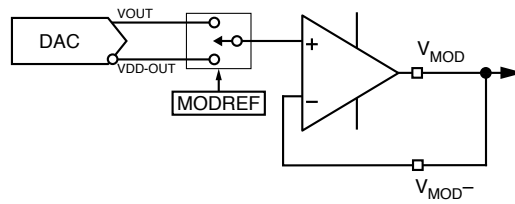
When APC is on, i.e., the APCCAL bit in OEMCAL0 is set to 0, the value corresponding to the current temperature is taken from the MODLUT look-up table, added to MODSET, and loaded into the  $V_{MOD}$  DAC. When APC is off, the value in  $V_{MOD}$  is loaded directly into the  $V_{MOD}$  DAC, bypassing the look-up table entirely. This provides for direct modulation control for setup and calibration. The MODREF bit determines the DACs response to higher or lower numeric values.



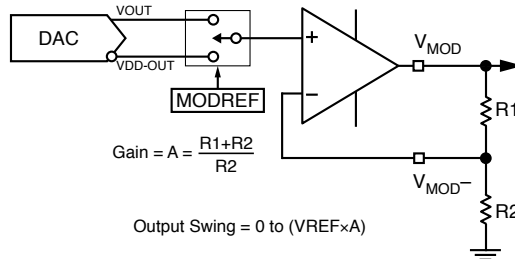
**Figure 3. MIC3000 APC and Modulation Control Block Diagram**



**Figure 5. Transmitter Configurations Supported by MIC3000**

**V<sub>MOD</sub> Configured As Buffered Voltage Output**

Output Swing = 0 to VREF or VDDA to (VDDA-VREF)

**V<sub>MOD</sub> Configured As Voltage Output with Gain**

$$\text{Gain} = A = \frac{R1+R2}{R2}$$

Output Swing = 0 to (VREFxA)

**Figure 6. V<sub>MOD</sub> Configured as Voltage Output with Gain**

**Power ON and Laser Start-Up**

When power is applied, the MIC3000 initializes its internal registers and state machine. This process takes  $t_{POR}$ , about 50 $\mu$ s. Following  $t_{POR}$ , analog-to-digital conversions begin, serial communication is possible, and the POR bit and data ready bits may be polled. The first set of analog data will be available  $t_{CONV}$  after  $t_{POR}$ . MIC3000s are shipped from the factory with the output enable bit, OE, set to zero, off. The MIC3000's power-up default state, therefore, is APC off,  $V_{BIAS}$ ,  $V_{MOD}$ , and SHDN outputs disabled.  $V_{BIAS}$ ,  $V_{MOD}$ , and SHDN will be floating (high impedance) and the laser diode, if connected, will be off. Once the device is incorporated into a transceiver and properly configured, the shutdown states of SHDN,  $V_{BIAS}$  and  $V_{MOD}$  will be determined by the state of the APC configuration and OE bits. Table 8, Table 9, and Table 10 illustrate the shutdown states of the various laser control outputs versus the control bits.

Configuration Bits		Shutdown State
OE	SPOL	SHDN
0	Don't Care	Hi-Z
1	0	$\approx$ GND
1	1	$\approx$ $V_{DD}$

**Table 8. Shutdown State of SHDN vs. Configuration Bits**

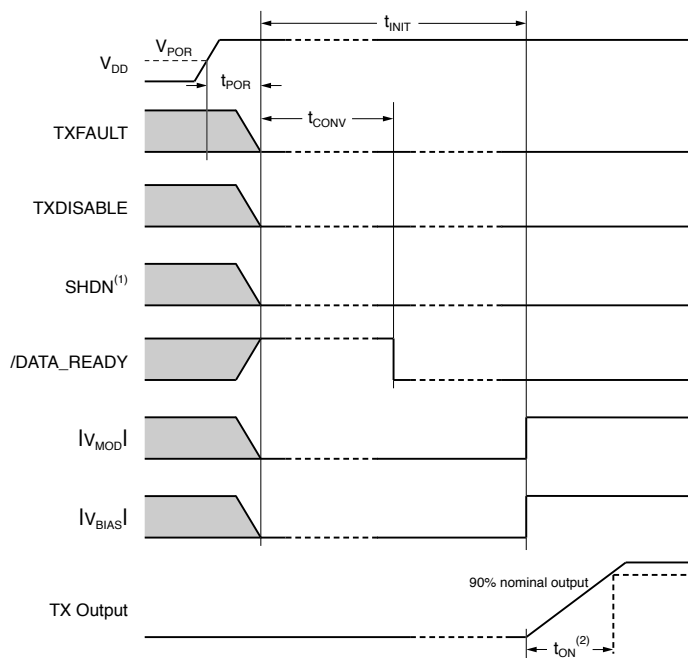
Configuration Bits			$V_{BIAS}$ Shutdown State
OE	INV	BIASREF	$V_{BIAS}$
0	Don't Care	Don't Care	Hi-Z
1	Don't Care	0	$\approx$ GND
1	Don't Care	1	$\approx$ $V_{DD}$

**Table 9. Shutdown State of  $V_{BIAS}$  vs. Configuration Bits**

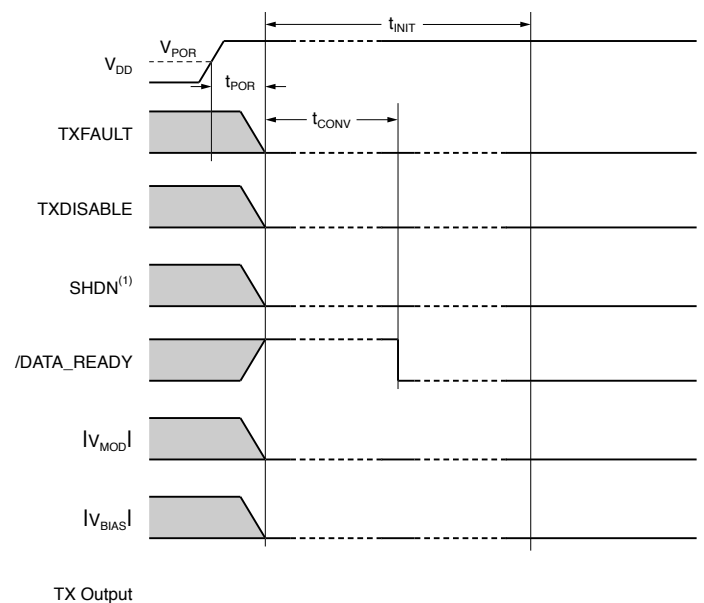
Configuration Bits		$V_{MOD}$ Shutdown State
OE	MODREF	$V_{MOD}$
0	Don't Care	Hi-Z
1	0	$\approx$ GND
1	1	$\approx$ $V_{DD}$

**Table 10. Shutdown state of  $V_{MOD}$  vs. Configuration bits**

In order to facilitate hot-plugging, the laser diode is not turned on until  $t_{INIT2}$  after power-on. Following  $t_{INIT2}$ , and assuming TXDISABLE is not asserted, the DACs will be loaded with their initial values. Since  $t_{CONV}$  is much less than  $t_{INIT2}$ , the first set of analog data, including temperature, is available at  $t_{INIT2}$ . Temperature compensation will be applied to the DAC values if enabled. APC will begin if OE is asserted. (If the output enable bit, OE, is not set, the  $V_{MOD}$ ,  $V_{BIAS}$ , and SHDN outputs will float indefinitely.) Figure 7 shows the power-up timing of the MIC3000. If TXDISABLE is asserted at power-up, the  $V_{MOD}$  and  $V_{BIAS}$  outputs will stay in their shutdown states following MIC3000 initialization. A/D conversions will begin, but the laser will remain off.



(a) MIC3000 Power-On, TXDISABLE not Asserted



(b) MIC3000 Power-On, TXDISABLE Asserted

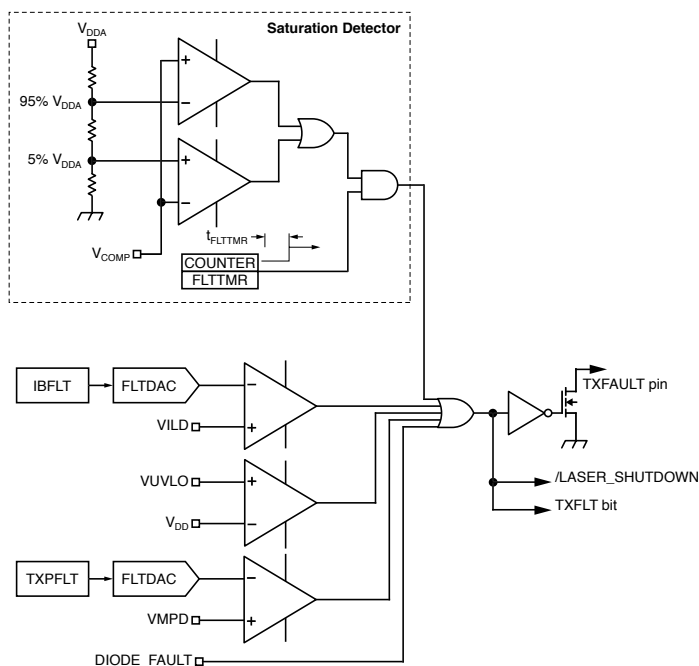
**Figure 7. MIC3000 Power-On Timing (OE=1)**

**Notes:**

1. Polarity programmable; active-high shown.
2. Determined by loop response, e.g.,  $C_{COMP}$ .

## Fault Comparators

In addition to detecting and reporting the events specified in SFF-8472, the MIC3000 also monitors five fault conditions: inadequate supply voltage, thermal diode faults, excessive bias current, excessive transmit power, and APC op-amp saturation. Comparators monitor these parameters in order to respond quickly to fault conditions that could indicate link failure or safety issues, see Figure 8. When a fault is detected, the laser is shut down and TXFAULT is asserted. Each fault source may be independently disabled using the FLTMSK register. FLTMSK is non-volatile, allowing faults to be masked only during calibration and testing or permanently.



**Figure 8. Fault Comparator Logic**

Thermal diode faults are detected within the temperature measurement subsystem when an out-of-range signal is detected. A window comparator circuit monitors the voltage on the compensation capacitor to detect APC op-amp saturation (Figure 9). Op-amp saturation indicates that some fault has occurred in the control loop such as loss of feedback. The saturation detector is blanked for a time,  $t_{FLTMMR}$ , following laser turn-on since the compensation voltage will essentially be zero at turn-on. The FLTMMR interval is programmable from 0.5ms to 127ms (typical) in increments of 0.5ms ( $\phi_{FLTMMR}$ ). Note that a saturation comparator cannot be relied upon to meet certain eye-safety standards that require 100 $\mu$ s response times. This is because the operation of a saturation detector is limited by the loop bandwidth, i.e., the choice of  $C_{COMP}$ . Even if the comparator itself was very fast, it would be subject to the limited slew-rate of the APC op-amp. Only the other fault comparator channels will meet <100 $\mu$ s timing requirements.

A similar comparator circuit monitors received signal strength and asserts RXLOS when loss-of-signal is detected (Figure 10). RXLOS will be asserted when and if VRX drops below the level programmed in LOSFLT. The loss-of-signal comparator may be disabled completely by setting the LOSDIS bit in OEMCFG3. Once the LOS comparator is disabled, an exter-

nal device may drive RXLOS. The state of the RXLOS pin is reported in the CNTRL register regardless of whether it is driven by the internal comparator or by an external device. A programmable digital-to-analog converter provides the comparator reference voltages for monitoring received signal strength, transmit power, and bias current. Glitches less than 4 $\mu$ s (typical) in length are rejected by the fault comparators. Since laser bias current varies greatly with temperature, there is a temperature compensation look-up table for the bias current fault DAC value.

When a fault condition is detected, the laser will be immediately shutdown and TXFAULT will be asserted. The  $V_{MOD}$ ,  $V_{BIAS}$ , and SHDN (if enabled) outputs will be driven to their shutdown state according to the state of the configuration bits. The shutdown states of  $V_{MOD}$ ,  $V_{BIAS}$ , and SHDN versus the configuration bit settings are shown in Table 8, Table 9, and Table 10.

### Duty-Cycle Limiting

When a fault occurs and TXFAULT is asserted, an internal timer starts. Operation cannot resume until this timer expires. This limits the duty-cycle that can be achieved while a fault condition is present, preventing the host from causing an eye-unsafe condition by continually cycling the laser on and off. Given that the fault comparator propagation delay is 95 $\mu$ s and the restart delay is 200ms, the maximum duty-cycle that can theoretically be achieved in the presence of a persistent fault is on the order of  $0.095/200\text{ms} \approx 0.0475\%$  (0.095s is the maximum fault comparator propagation delay; 200ms is the typical reset delay interval).

If a fault occurs and the host toggles TXDISABLE within 200ms, the MIC3000 will wait until the interval expires before restarting the laser. If the restart delay has expired, i.e., it has been at least 200ms since the last occurrence of a fault, then the MIC3000 will begin the restart sequence immediately. The operation of this timer is transparent to the host and does not require any special action. The system will still meet the 300ms startup requirement called for in specifications such as the SFP MSA. If the host toggles TXDISABLE more than once during the 200ms interval, the timing remains the same. The laser is restarted after the expiration of the 200ms timer.

### Temperature Measurement

The temperature-to-digital converter for both internal and external temperature data is built around a switched current source and an eight-bit analog-to-digital converter. The temperature is calculated by measuring the forward voltage of a diode junction at two different bias current levels. An internal multiplexer directs the current source's output to either an internal or external diode junction. The value of the ZONE bit in OEMCFG1 determines whether readings are taken from the on-chip sensor or from the XPN input. The external PN junction may be embedded in an integrated circuit, or it may be a diode-connected discrete transistor. This data is also used as the input to the temperature compensation look-up tables. Each time temperature is sampled and an updated value acquired, new corrective values for  $I_{MOD}$  and the APC setpoint are read from the corresponding tables, added to the set values, and transferred to DACs.

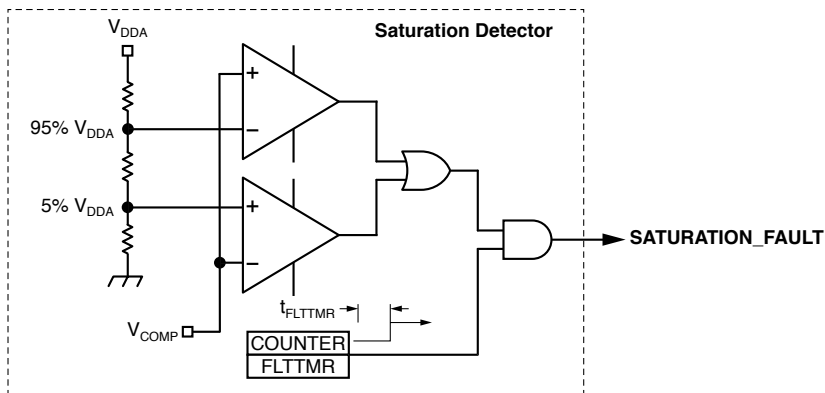


Figure 9. Saturation Detector

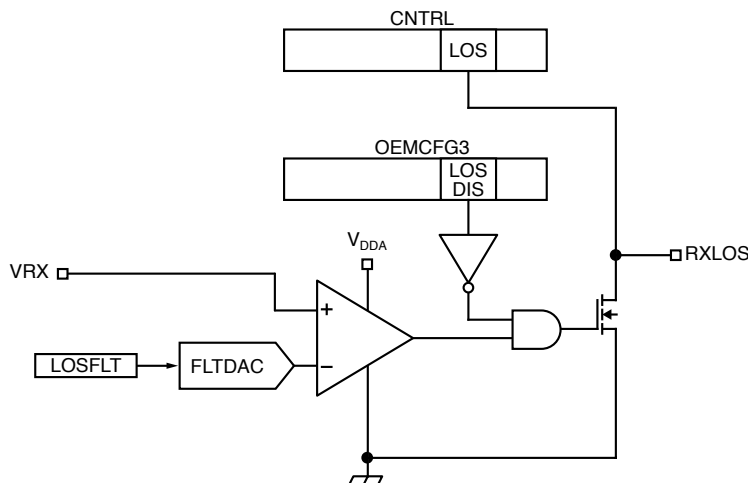


Figure 10. RXLOS Comparator Logic

**Diode Faults**

The MIC3000 is designed to respond in a failsafe manner to hardware faults in the temperature sensing circuitry. If the connection to the sensing diode is lost or the sense line is shorted to  $V_{DD}$  or ground, the temperature data reported by the A/D converter will be forced to its full-scale value (+127°C). The diode fault flag, DFLT, will be set in OEMCFG1, TXFAULT will be asserted, and the high temperature alarm and warning flags will be set. The reported temperature will remain +127°C until the fault condition is cleared. Diode faults may be reset by toggling TXDISABLE, as with any other fault. Diode faults will not be detected at power up until the first A/D conversion cycle is completed. Diode faults are not reported while TXDISABLE is asserted.

**Temperature Compensation**

Since the performance characteristics of laser diodes and photodiodes change with operating temperature, the MIC3000 provides a facility for temperature compensation of the A.P.C. loop setpoint, laser modulation current, bias current fault comparator threshold, and bias current high alarm flag threshold. Temperature compensation is performed using a look-up table (LUT) that stores values corresponding to each measured temperature over a 128°C span. Four identical tables reside at serial address  $A4_n$  as summarized in Table 11. The range of temperatures spanned by the tables is program-

mable via the LUTOFF register. Each table entry is a signed twos complement number that is used as an offset to the parameter being compensated. The default value of all table entries is zero, giving a flat response.

The A/D converter reports a new temperature sample each  $t_{CONV}$ . This occurs at roughly 10Hz. To prevent temperature oscillation due to thermal or electrical noise, sixteen successive temperature samples are averaged together and used to index the LUTs. Temperature compensation results are therefore updated at  $16 \times t_{CONV}$  intervals, or about 1.6 seconds. This can be expressed as shown in Equation 5.

$$T_{COMPm} = \frac{T_n + T_{n+1} + T_{n+2} + \dots + T_{n+15}}{16} \quad (5)$$

Each time an updated average value is acquired, a new offset value for the APC setpoint is read from the corresponding look-up table (see Table 12) and transferred to the APC circuitry. This is illustrated in Equation 6. In a same way, new offset values are taken from similar look-up tables (see Table 13 and Table 14), added to the nominal values and transferred into the modulation and fault comparator DACs. The bias current high alarm threshold, is compensated using a fourth look-up table (see Table 15). This compensation happens internally and does not affect any host-accessible registers.

$$\begin{aligned}
 \text{APCSET}_m &= \text{APCSET}_x + \text{APCLUT}(T_{\text{COMP}m}) \\
 &\quad \text{Table\_min} \leq T_{\text{COMP}m} \leq \text{Table\_max} \\
 \text{APCSET}_m &= \text{APCSET}_x + \text{APCLUT}(\text{max}) \\
 &\quad T_{\text{COMP}m} > \text{Table\_max} \\
 \text{APCSET}_m &= \text{APCSET}_x + \text{APCLUT}(\text{min}) \\
 &\quad T_{\text{COMP}m} < \text{Table\_min}
 \end{aligned} \tag{6}$$

If the measured temperature is greater than the maximum table value, the highest value in each table is used. If the measured temperature is less than the minimum, the minimum value is used. Hysteresis is employed to further enhance noise immunity and prevent oscillation about a table threshold. Each table entry spans two degrees C. The table index will not change unless the new temperature average

results in a table index beyond the midpoint of the next entry in either direction. There is therefore 2 to 3°C of hysteresis on temperature compensation changes. The table index will never oscillate due to quantization noise as the hysteresis is much larger than  $\pm 1/2$  LSB.

Byte Addresses	Function
00h–3Fh	APC Look-up Table
40h–7Fh	I <sub>MOD</sub> Look-up Table
80h–BFh	IFLT Look-up Table
C0h–FFh	Bias High Alarm Look-up Table

**Table 11. Temperature Compensation Look-up Tables, Serial Address I2CADR + 4<sub>h</sub>**

Register Address	Table Offset	Temperature Offset (°C)
00 h	0	0
		1
01h	1	2
		3
02h	2	4
		5
.	.	.
.	.	.
.	.	.
3Eh	62	124
		125
3Fh	63	126
		127

**Table 12. APC Temperature Compensation Look-Up Table, Serial Address I2CADR+4<sub>n</sub>**

Register Address	Table Offset	Temperature Offset (°C)
40 h	0	0
		1
41h	1	2
		3
42h	2	4
		5
.	.	.
.	.	.
.	.	.
7Eh	62	124
		125
7Fh	63	126
		127

**Table 13. V<sub>MOD</sub> Temperature- Compensation Look-Up Table, Serial Address I2CADR+4<sub>n</sub>**

Register Address	Table Offset	Temperature Offset (°C)
80 h	0	0
		1
81h	1	2
		3
82h	2	4
		5
.	.	.
.	.	.
.	.	.
BEh	62	124
		125
BFh	63	126
		127

**Table 14. I<sub>BIAS</sub> Comparator Temperature Compensation Look-up Table, Serial Address I2CADR+4<sub>n</sub>**

Register Address	Table Offset	Temperature Offset (°C)
CO h	0	0
		1
C1h	1	2
		3
C2h	2	4
		5
.	.	.
.	.	.
.	.	.
FEh	62	124
		125
FFh	63	126
		127

**Table 15. Bias Current High Alarm Temperature Compensation Table, Serial Address I2CADR+4<sub>n</sub>**

The LUTOFF register determines the range of measured temperatures that are actually spanned by the tables. The temperature span of the tables versus the value of LUTOFF is given in Table 16.

LUTOFF	Temperature Span $t_{COMP}(min) - t_{COMP}(max)$
00h	0°C to +127°C
01h	-2°C to +125°C
02h	-4°C to +123°C
.	□
.	.
.	.
0Fh	-30°C to +97°C

**Table 16. Range of Temperature Compensation Tables vs. LUTOFF**

The internal state machine calculates a new table index each time a new average temperature value becomes available. This table index is derived from the average temperature value and LUTOFF. The table index is then converted into a table address for each of the four look-up tables. These operations can be expressed as:

$$INDEX = \left\lfloor \frac{T_{AVG(n)}}{2} \right\rfloor + LUTOFF \tag{7}$$

where TAVG(n) is the current average temperature; and

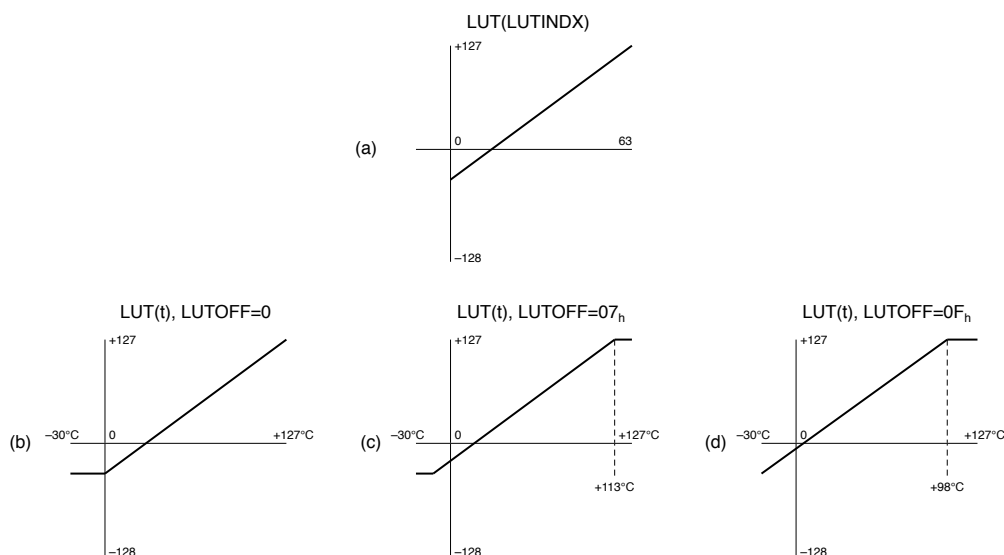
$$TABLE\_ADDRESS = INDEX + BASE\_ADDRESS$$

where BASE\_ADDRESS is the physical base address of each table, i.e., 00<sub>h</sub>, 40<sub>h</sub>, 80<sub>h</sub>, or C0<sub>h</sub> (all tables reside in the I2CADR+4 page of memory).

At any given time, the current table index can be read in the LUTINDX register.

Figures 11 and 12 illustrate the operation of the temperature compensation tables.

Figure 11 is a graphical illustration of the use of the LUTOFF register to control the temperature range spanned by the temperature compensation tables. Note that, if the LUTINDX becomes greater than 63 or less than zero, the maximum or minimum table value is used, respectively. The tables do not “roll over.”



**Figure 11. Examples of LUTOFF Operation**



Figure 12 illustrates that the table values are used as offsets to the nominal value of the parameter in question. APCSET is used as an example, but all four tables function identically.

Note that the shape and magnitude of the compensation curve do not change as the nominal value changes.

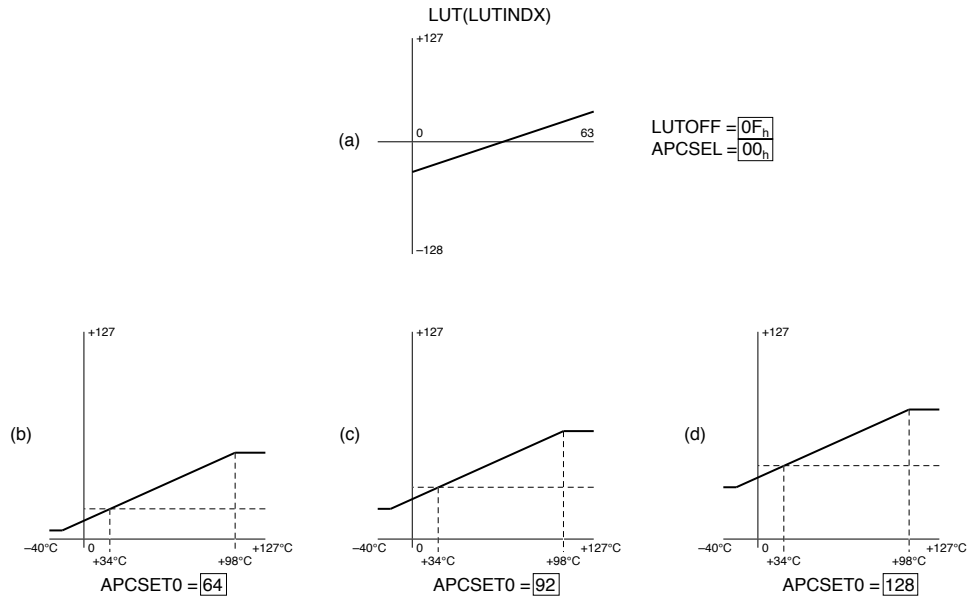


Figure 12. Temperature Compensation Examples

## Alarms and Warning Flags

There are twenty different conditions that will cause the MIC3000 to set one of the bits in the WARNx or ALARMx registers. These conditions are listed in Table 17. The less critical of these events generate warning flags by setting a bit in WARN0 or WARN1. The more critical events cause bits to be set in ALARM0 or ALARM1.

An event occurs when any alarm or warning condition becomes true. Each event causes its corresponding status bit in ALARM0, ALARM1, WARN0, or WARN1 to be set. This action cannot be masked by the host. The status bit will remain set until the host reads that particular status register, a power on-off cycle occurs, or the host toggles TXDISABLE.

If TXDISABLE is asserted at any time during normal operation, A/D conversions continue. The A/D results for all parameters will continue to be reported. All events will be reported in the normal way. If they have not already been individually cleared by read operations, when TXDISABLE is deasserted, all status registers will be cleared.

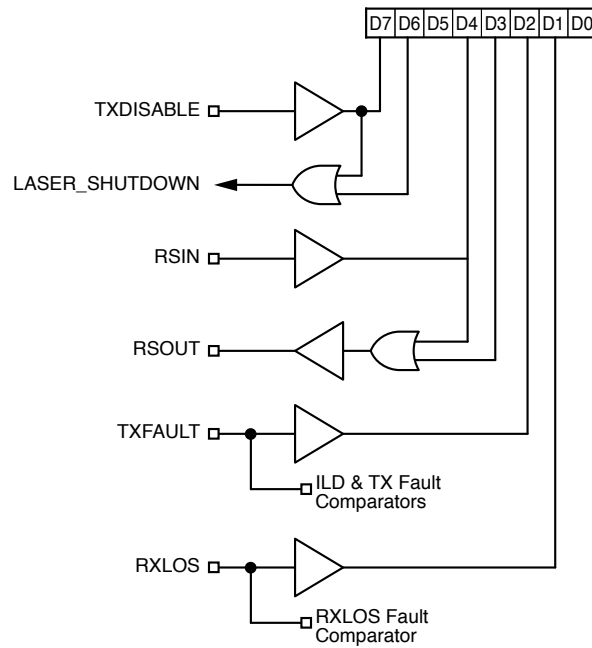
## Control and Status I/O

The logic for the transceiver control and status I/O is shown schematically in Figure 13. Note that the internal drivers on RXLOS, RATE\_SELECT, and TXFAULT are all open-drain. These signals may be driven either by the internal logic or external drivers connected to the corresponding MIC3000 pins. In any case, the signal level appearing at the pins of the MIC3000 will be reported in the control register status bits.

Note that the control bits for TX\_DISABLE and RATE\_SELECT and the status bits for TXFAULT and RXLOS do not meet the timing requirements specified in the SFP MSA or the GBIC Specification, revision 5.5 (SFF-8053) for the hardware signals. The speed of the serial interface limits the rate at which these functions can be manipulated and/or reported. The response time for the control and status bits is given in the "Electrical Characteristics" section.

Event	Condition	MIC3000 Response
Temperature high alarm	TEMP > TMAX	Set ALARM0[7]
Temperature low alarm	TEMP < TMIN	Set ALARM0[6]
Voltage high alarm	VIN > VMAX	Set ALARM0[5]
Voltage low alarm	VIN < VMIN	Set ALARM0[4]
TX bias high alarm	IBIAS > IBMAX	Set ALARM0[3]
TX bias low alarm	IBIAS < IBMIN	Set ALARM0[2]
TX power high alarm	TXOP > TXMAX	Set ALARM0[1]
TX power low alarm	TXOP < TXMIN	Set ALARM0[0]
RX power high alarm	RXOP > RXMAX	Set ALARM1[7]
RX power low alarm	RXOP < RXMIN	Set ALARM1[6]
Temperature high warning	TEMP > THIGH	Set WARN0[7]
Temperature low warning	TEMP < TLOW	Set WARN0[6]
Voltage high warning	VIN > VHIGH	Set WARN0[5]
Voltage low warning	VIN < VLOW	Set WARN0[4]
TX bias high warning	IBIAS > IBHIGH	Set WARN0[3]
TX bias low warning	IBIAS < IBLOW	Set WARN0[2]
TX power high warning	TXOP > TXHIGH	Set WARN0[1]
TX power low warning	TXOP < TXLOW	Set WARN0[0]
RX power high warning	RXOP > RXHIGH	Set WARN1[7]
RX power low warning	RXOP < RXLOW	Set WARN1[6]

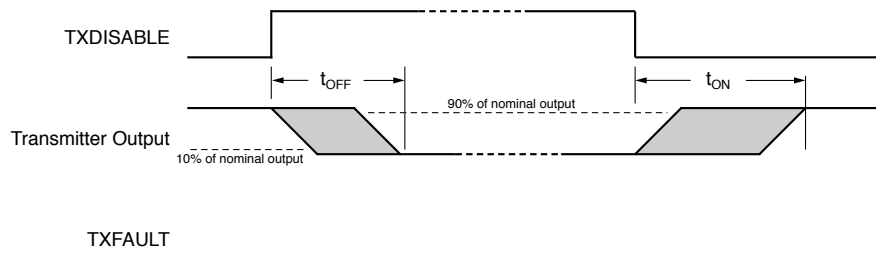
Table 17. MIC3000 Events



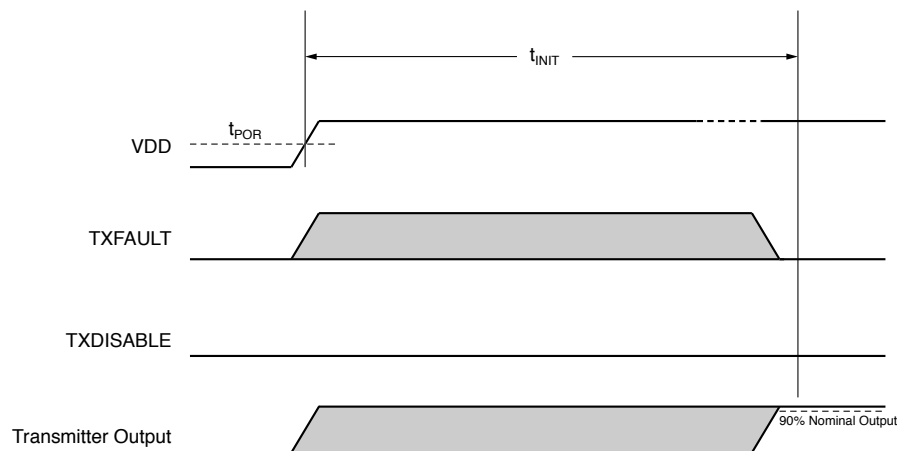
**Figure 13. Control and Status I/O Logic**

### System Timing

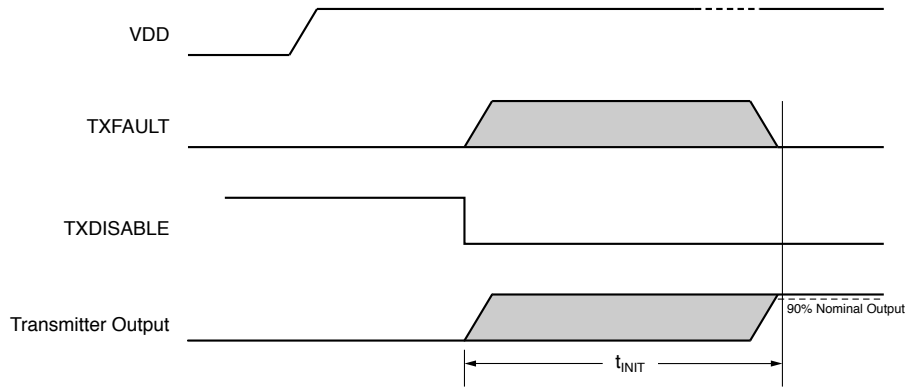
The timing specifications for MIC3000 control and status I/O are given in the “Electrical Characteristics” section.



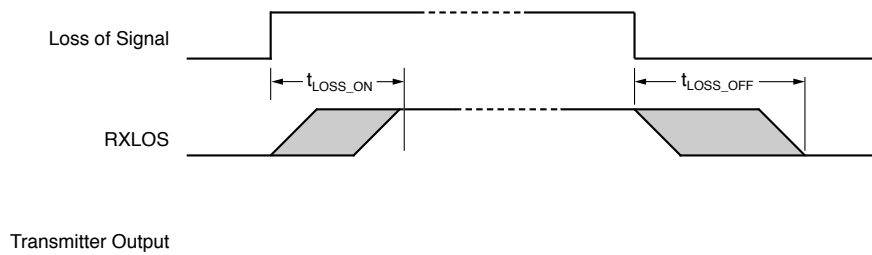
**Figure 14. Transmitter ON-OFF Timing**



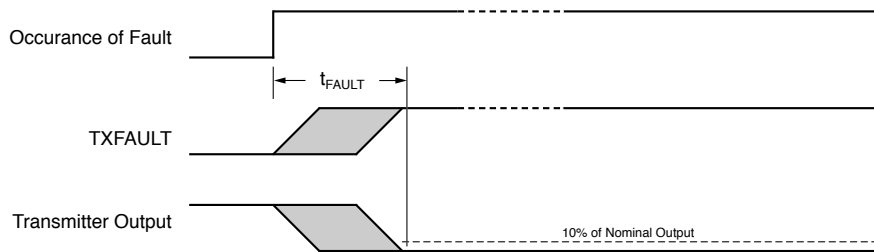
**Figure 15. Initialization Timing with TXDISABLE Asserted**



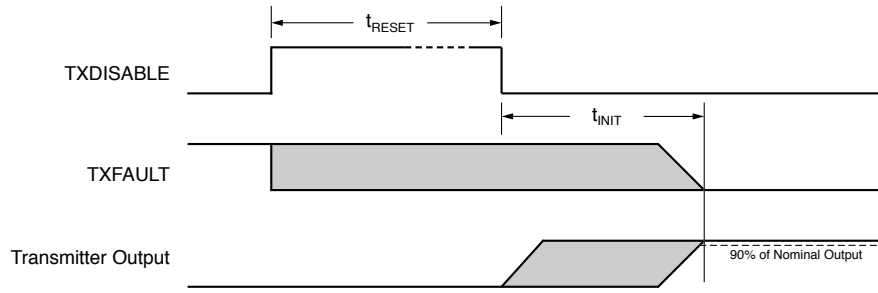
**Figure 16. Initialization Timing, TXDISABLE Not Asserted**



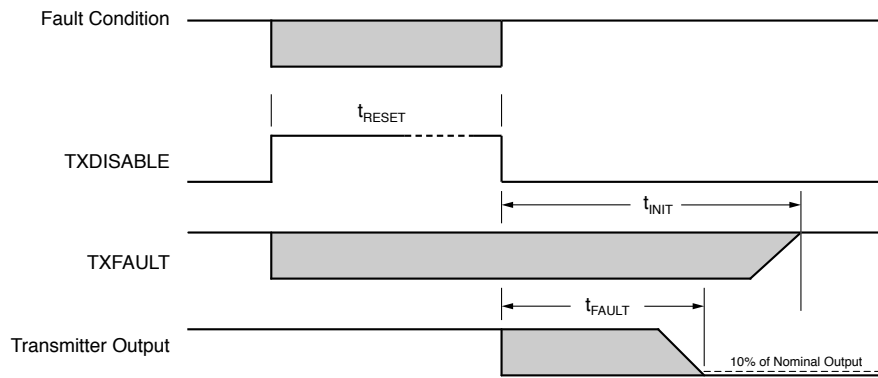
**Figure 17. Loss-of-Signal (LOS) Timing**



**Figure 18. Transmit Fault Timing**



**Figure 19. Successfully Clearing a Fault Condition**



**Figure 20. Unsuccessful Attempt to Clear a Fault**

## Warm Resets

The MIC3000 can be reset to its power-on default state during operation by setting the reset bit in OEMCFG0. When this bit is set, TXFAULT and RXLOS will be deasserted, all registers will be restored to their normal power-on default values, and any A/D conversion in progress will be halted and the results discarded. The state of the MIC3000 following this operation is indistinguishable from a power-on reset.

## Power-On Hour Meter

The Power-On Hour meter logs operating hours using an internal real-time clock and stores the result in NVRAM. The hour count is incremented at ten-hour intervals in the middle of each interval. The first increment therefore takes place five hours after power-on. Time is accumulated whenever the MIC3000 is powered. The hour meter's timebase is accurate to 5% over all MIC3000 operating conditions. The counter is capable of storing counts of more than thirty years, but is ultimately limited by the write-cycle endurance of the non-volatile memory. This implies a range of at least twenty years.

Actual results will depend upon the operating conditions and write-cycle endurance of the part in question.

Two registers, POHH and POHI, contain a 15-bit power-on hour measurement and an error flag, POHFLT. Great care has been taken to make the MIC3000's hour meter immune to data corruption and to insure that valid data is maintained across power cycles. The hour meter employs multiple data copies and error correction codes to maintain data validity. This data is stored in the POHDATA registers. If POHFLT is set, however, the power-on hour meter data has been corrupted and should be ignored.

It is recommended that a two-byte (or more) sequential read operation be performed on POHH and POHI to insure coherency between the two registers. These registers are accessible by the OEM using a valid OEM password. The only operation that should be performed on these registers is to clear the hour meters initial value, if necessary, at the time of product shipment. The hour meter result may be cleared by setting all eight POHDATA bytes to 00<sub>h</sub>.

Power-On Hour Result Format		
High Byte, POHH		Low Byte, POHI
Error flag	Elapsed Time / 10 Hours, MSB's	Elapsed Time / 10 Hours, LSB's
	MSB	LSB

**Table 18. Power-On Hour Meter Result Format**

## Test and Calibration Features

Numerous features are included in the MIC3000 to facilitate development, testing, and diagnostics. These features are

available via registers in the OEM area. As shown in Table19, these features include:

Function	Description	Control Register(s)
Analog loop-back	Provides analog visibility of op-amp and DAC outputs via the ADC	OEMCFG0
Fault comparator disable control	Disables the fault comparator	OEMCAL0
Fault comparator spin-on-channel mode	Selects a single fault comparator channel	OEMCAL0
Fault comparator output read-back	Allows host to read individual fault comparator outputs	OEMRD
RSOUT, /INT read-back	Allows host to read the state of these pins	OEMRD
Inhibit EEPROM write cycles	Speeds repetitive writes to registers backed up by NVRAM	OEMCAL0
APC calibration mode	Allows direct writes to MODDAC and APCDAC (temperature compensation not used)	OEMCAL0
Continuity checking	Forcing of RXLOS, TXFAULT, /INT	OEMCAL0
Halt A/D	Stops A/D conversions; ADC in one-shot mode	OEMCAL1
ADC idle flag	Indicates ADC status	OEMCAL1
A/D one-shot mode	Performs a single A/D conversion on the selected input channel	OEMCAL1
A/D spin-on-channel mode	Selects a single input channel	OEMCAL1
Channel selection	Selects ADC or fault comparator channel for spin-on-channel modes	OEMCAL1
LUT index read-back	Permits visibility of the LUT index calculated by the state-machine	LUTINDX
Manufacturer and device ID registers	Facilitates presence detection and version control	MFG_ID, DEV_ID

**Table 19. Test and Diagnostic Features**

**Serial Port Operation**

The MIC3000 uses standard Write\_Byte, Read\_Byte, and Read\_Word operations for communication with its host. It also supports Page\_Write and Sequential\_Read transactions. The Write\_Byte operation involves sending the device's slave address (with the R/W bit low to signal a write operation), followed by the address of the register to be operated upon and the data byte. The Read\_Byte operation is a composite write and read operation: the host first sends the device's slave address followed by the register address, as in a write operation. A new start bit must then be sent to the MIC3000, followed by a repeat of the slave address with the R/W bit (LSB) set to the high (read) state. The data to be read from the part may then be clocked out. A Read\_Word is similar, but two successive data bytes are clocked out rather than one. These protocols are shown in Figure 21 to 24.

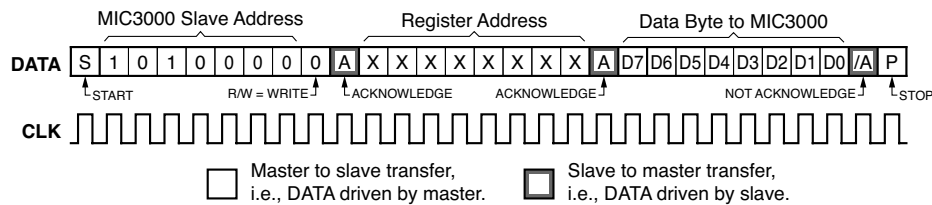
The MIC3000 will respond to up to four sequential slave addresses depending upon whether it is in OEM or User mode. A match between one of the MIC3000's addresses and the address specified in the serial bit stream must be made to initiate communication. The MIC3000 responds to slave addresses A0<sub>h</sub> and A2<sub>h</sub> in User Mode; it also responds to A4<sub>h</sub> and A6<sub>h</sub> in OEM Mode (assuming I2CADR = Ax<sub>h</sub>).

**Page Writes**

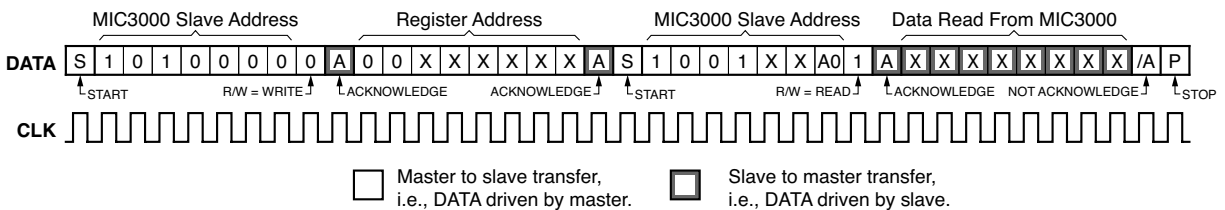
To increase the speed of multi-byte writes, the MIC3000 allows up to four consecutive bytes (one page) to be written before the internal write cycle begins. The entire non-volatile memory array is organized into four-byte pages. Each page begins on a register address boundary where the last two bits of the address are 00<sub>b</sub>. Thus the page is composed of any four consecutive bytes having the addresses xxxxxx00<sub>b</sub>, xxxxxx01<sub>b</sub>, xxxxxx10<sub>b</sub>, and xxxxxx11<sub>b</sub>.

The page write sequence begins just like a Write\_Byte operation with the host sending the slave address, R/W bit low, register address, etc. After the first byte is sent the host should receive an acknowledge. Up to three more bytes can be sent in sequence. The MIC3000 will acknowledge each one and increment its internal address register in anticipation of the next byte. After the last byte is sent, the host issues a STOP. The MIC3000's internal write process then begins. If more than four bytes are sent, the MIC3000's internal address counter wraps around to the beginning of the four-byte page.

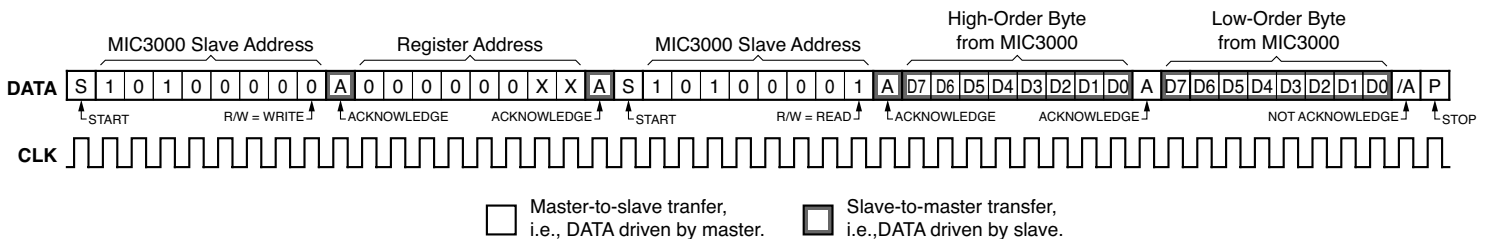
To accelerate calibration and testing, NVRAM write cycles can be disabled completely by setting the WRINH bit in OEMCAL0. Writes to registers that do not have NVRAM backup will not incur write-cycle delays when writes are inhibited. Write operations on registers that exist only in NVRAM will still incur write cycle delays.



**Figure 21. Write Byte Protocol**



**Figure 22. Read Byte Protocol**



**Figure 23. Read\_Word Protocol**

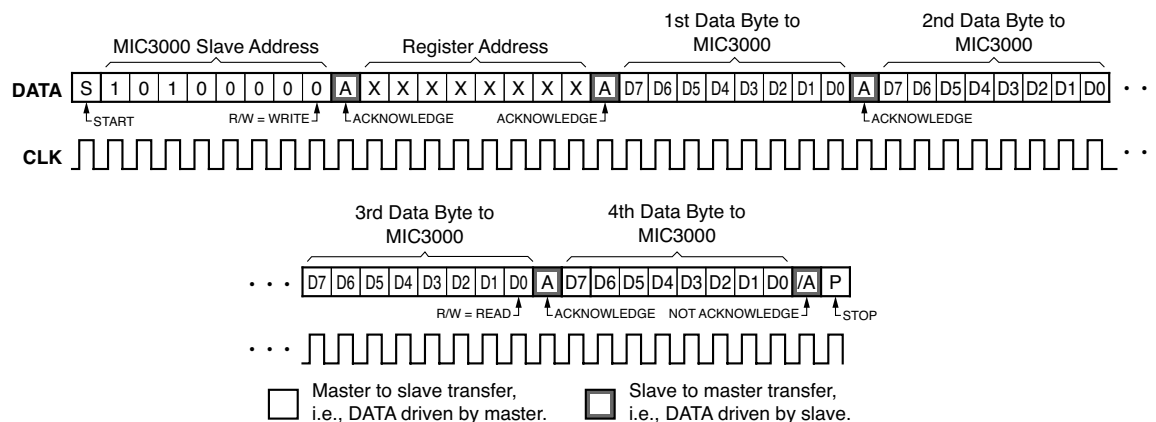


Figure 24. Four-Byte Page\_Write Protocol

### Acknowledge Polling

The MIC3000's non-volatile memory cannot be accessed during the internal write process. To allow for maximum speed bulk writes, the MIC3000 supports acknowledge polling. The MIC3000 will not acknowledge serial bus transactions while internal writes are in progress. The host may therefore monitor for the end of the write process by periodically checking for an acknowledgement.

### Write Protection and Data Security

#### OEM Password

A password is required to access the OEM areas of the MIC3000, specifically the non-volatile memory, look-up tables, and registers at serial addresses  $A4_h$  and  $A6_h$ . A four-byte field, OEMPWSET, at serial address  $A6_h$  is used for setting the OEM password. The OEM password is set by writing OEMPWSET with the new value. The password comparison is performed following the write to the MSB of the OEMPW, address  $7B_h$  at serial address  $A2_h$ . **Therefore, this byte must be written last!** A four-byte burst-write sequence to address  $78_h$  may be used as this will result in the MSB being written last. The new password will not take effect until after a power-on reset occurs or a warm reset is performed using the RST bit in OEMCFG0. This allows the new password to be verified before it takes effect.

The corresponding four-byte field for password entry, OEMPW, is located at serial address  $A2_h$ . This field is therefore always visible to the host system. OEMPW is compared to the four-byte OEMPWSET field at serial address  $A6_h$ . If the two fields match, access is allowed to the OEM areas of the MIC3000 non-volatile memory at serial addresses  $A4_h$  and  $A6_h$ . If OEMPWSET is all zeroes, no password security will exist. The value in OEMPW will be ignored. This helps prevent a deliberately unsecured MIC3000 from being inadvertently locked. Once a valid password is entered, the MIC3000 OEM areas will be accessible. The OEM areas may be re-secured

by writing an incorrect password value at OEMPW, e.g., all zeroes. In all cases OEMPW must be written LSB first through MSB last. The OEM areas will be inaccessible following the final write operation to OEMPW's LSB. The OEMPW field is reset to all zeroes at power on. Any values written to these locations will be readable by the host regardless of the locked/unlocked status of the device. If OEMPWSET is set to zero ( $00000000_h$ ), the MIC3000 will remain unlocked regardless of the contents of the OEMPW field. This is the factory default security setting.

NOTE: A valid OEM password allows access to the OEM and user areas of the chip, i.e., the entire memory map, regardless of any user password that may be in place. Once the OEM areas are locked, the user password can provide access and write protection for the user areas.

#### User Password

A password is required to access the USER areas of the MIC3000, specifically the non-volatile memory at serial addresses  $A0_h$  and  $A2_h$ . A one-byte field, USRPWSET at serial address  $A2_h$  is used for setting the USER password. USRPWSET is compared to the USRPW field at serial address  $A2_h$ . If the two fields match, access is allowed to the USER areas of the MIC3000 non-volatile memory at serial addresses  $A0_h$  and  $A2_h$ . The USER password is set by writing USRPWSET with the new value. The new password will not take effect until after a power-on reset occurs or a warm reset is performed using the RST bit in OEMCFG0. This allows the new password to be verified before it takes effect.

NOTE: A valid OEM password allows access to the OEM and user areas of the chip, i.e., the entire memory map, regardless of any user password that may be in place. Once the OEM areas are locked, the user password can provide access and write protection for the user areas. If a valid OEM password is in place, the user password will have no effect.



## Detailed Register Descriptions

Note: Serial bus addresses shown assume that I2CADDR = Ax<sub>h</sub>.

### Alarm Threshold Registers

Temperature High Alarm Threshold MSB (TMAXh)							
D[7] read/write	D[6] read/write	D[5] read/write	D[4] read/write	D[3] read/write	D[2] read/write	D[1] read/write	D[0] read/write
Default Value			0000 0000 <sub>b</sub> = 00 <sub>h</sub> (0°C)				
Serial Address			A2 <sub>h</sub> = 1010001 <sub>b</sub>				
Byte Address			00 = 00 <sub>h</sub>				
Each LSB represents one degree centigrade. This register is to be used in conjunction with TMAXl to yield a sixteen-bit temperature value. The value in this register is uncalibrated. The value in TMAXh is compared against TEMPh. Alarm bit Ax is set if TEMPh > TMAXh.							

Temperature High Alarm Threshold LSB (TMAXh)							
D[7] read/write	D[6] read/write	D[5] read/write	D[4] read/write	D[3] read/write	D[2] read/write	D[1] read/write	D[0] read/write
Default Value			0000 0000 <sub>b</sub> = 00 <sub>h</sub> (0°C)				
Serial Address			A2 <sub>h</sub> = 1010001 <sub>b</sub>				
Byte Address			01 = 01 <sub>h</sub>				
This register is to be used in conjunction with TMAXh to yield a sixteen-bit temperature value. The value in TMAXh is compared against TEMPh. Alarm bit Ax is set if TMAXh > TEMPh. Since TEMPl is always zero, it is recommended that this register always be programmed to zero. This register is provided for compliance with SFF-8472. It is not used by the MIC3000 when doing threshold comparisons and setting alarm or warning bits.							

Temperature Low Alarm Threshold MSB (TMINh)							
D[7] read/write	D[6] read/write	D[5] read/write	D[4] read/write	D[3] read/write	D[2] read/write	D[1] read/write	D[0] read/write
Default Value			0000 0000 <sub>b</sub> = 00 <sub>h</sub> (0°C)				
Serial Address			A2 <sub>h</sub> = 1010001 <sub>b</sub>				
Byte Address			02 = 02 <sub>h</sub>				
Each LSB represents one degree centigrade. This register is to be used in conjunction with TMINl to yield a sixteen-bit temperature value. The value in TMINh is compared against TEMPh. Alarm bit Ax is set if TEMPh < TMINh.							

Temperature Low Alarm Threshold LSB (TMINl)							
D[7] read/write	D[6] read/write	D[5] read/write	D[4] read/write	D[3] read/write	D[2] read/write	D[1] read/write	D[0] read/write
Default Value			0000 0000 <sub>b</sub> = 00 <sub>h</sub> (0°C)				
Serial Address			A2 <sub>h</sub> = 1010001 <sub>b</sub>				
Byte Address			03 = 03 <sub>h</sub>				
This register is to be used in conjunction with TMINh to yield a sixteen-bit temperature value. The value in TMINh is compared against TEMPh. Alarm bit Ax is set if TEMPh < TMINh. Since TEMPl is always zero, it is recommended that this register always be programmed to zero. This register is provided for compliance with SFF-8472. It is not used by the MIC3000 when doing threshold comparisons and setting alarm or warning bits.							

**Voltage High Alarm Threshold MSB(VMAXh)**

D[7] read/write	D[6] read/write	D[5] read/write	D[4] read/write	D[3] read/write	D[2] read/write	D[1] read/write	D[0] read/write
Default Value			0000 0000 <sub>b</sub> = 00 <sub>h</sub> (0V)				
Serial Address			A2 <sub>h</sub> = 1010001 <sub>b</sub>				
Byte Address			08 = 08 <sub>h</sub>				
Each LSB represents 25.6mV. This register is to be used in conjunction with VMAXl to yield a sixteen-bit value. The value in TMINh is compared against VINh. Alarm bit Ax is set if VINh > VMAXh.							

**Voltage High Alarm Threshold LSB(VMAXl)**

D[7] read/write	D[6] read/write	D[5] read/write	D[4] read/write	D[3] read/write	D[2] read/write	D[1] read/write	D[0] read/write
Default Value			0000 0000 <sub>b</sub> = 00 <sub>h</sub> (0V)				
Serial Address			A2 <sub>h</sub> = 1010001 <sub>b</sub>				
Byte Address			09 = 09 <sub>h</sub>				
Each LSB represents 100μV. This register is to be used in conjunction with VINh to yield a sixteen-bit value. The value in VMAXh is compared against VINh. Alarm bit Ax is set if VINh > VMAXh. Since VINl is always zero, it is recommended that this register always be programmed to zero. This register is provided for compliance with SFF-8472. It is not used by the MIC3000 when doing threshold comparisons and setting alarm or warning bits.							

**Voltage Low Alarm Threshold MSB (VMINh)**

D[7] read/write	D[6] read/write	D[5] read/write	D[4] read/write	D[3] read/write	D[2] read/write	D[1] read/write	D[0] read/write
Default Value			0000 0000 <sub>b</sub> = 00 <sub>h</sub> (0V)				
Serial Address			A2 <sub>h</sub> = 1010001 <sub>b</sub>				
Byte Address			10 = 0A <sub>h</sub>				
Each LSB represents 25.6mV. This register is to be used in conjunction with VMINl to yield a sixteen-bit value. The value in this register is uncalibrated. The value in VMINh is compared against VINh. Alarm bit Ax is set if VINh < VMINh.							

**Voltage Low Alarm Threshold LSB (VMINl)**

D[7] read/write	D[6] read/write	D[5] read/write	D[4] read/write	D[3] read/write	D[2] read/write	D[1] read/write	D[0] read/write
Default Value			0000 0000 <sub>b</sub> = 00 <sub>h</sub> (0V)				
Serial Address			A2 <sub>h</sub> = 1010001 <sub>b</sub>				
Byte Address			11 = 0B <sub>h</sub>				
Each LSB represents 100μV. This register is to be used in conjunction with VINh to yield a sixteen-bit value. The value in VMINh is compared against VINh. Alarm bit Ax is set if VINh < VMINh. Since VINl is always zero, it is recommended that this register always be programmed to zero. This register is provided for compliance with SFF-8472. It is not used by the MIC3000 when doing threshold comparisons and setting alarm or warning bits.							

Bias Current High Alarm Threshold MSB (IMAXh)							
D[7] read/write	D[6] read/write	D[5] read/write	D[4] read/write	D[3] read/write	D[2] read/write	D[1] read/write	D[0] read/write
Default Value			0000 0000 <sub>b</sub> = 00 <sub>h</sub> (0mA)				
Serial Address			A2 <sub>h</sub> = 1010001 <sub>b</sub>				
Byte Address			16 = 10 <sub>h</sub>				
This register is to be used in conjunction with IMAXl to yield a sixteen-bit value. The value in this register is uncalibrated. The value in IMAXh is compared against IL Dh. Alarm bit Ax is set if IL Dh > IMAXh.							

Bias Current High Alarm Threshold LSB (IMAXl)							
D[7] read/write	D[6] read/write	D[5] read/write	D[4] read/write	D[3] read/write	D[2] read/write	D[1] read/write	D[0] read/write
Default Value			0000 0000 <sub>b</sub> = 00 <sub>h</sub> (0mA)				
Serial Address			A2 <sub>h</sub> = 1010001 <sub>b</sub>				
Byte Address			17 = 11 <sub>h</sub>				
Each LSB represents 2 $\mu$ A. This register is to be used in conjunction with IMAXh to yield a sixteen-bit value. The value in this register is uncalibrated. The value in IMAXh is compared against IL Dh. Alarm bit Ax is set if IL Dh > IMAXh. Since IL DI is always zero, it is recommended that this register always be programmed to zero. This register is provided for compliance with SFF-8472. It is not used by the MIC3000 when doing threshold comparisons and setting alarm or warning bits.							

Bias Current Low Alarm Threshold MSB (IMINh)							
D[7] read/write	D[6] read/write	D[5] read/write	D[4] read/write	D[3] read/write	D[2] read/write	D[1] read/write	D[0] read/write
Default Value			0000 0000 <sub>b</sub> = 00 <sub>h</sub> (0mA)				
Serial Address			A2 <sub>h</sub> = 1010001 <sub>b</sub>				
Byte Address			18 = 12 <sub>h</sub>				
This register is to be used in conjunction with IMINI to yield a sixteen-bit value. The value in this register is uncalibrated. The value in IMINh is compared against IL Dh. Alarm bit Ax is set if IL Dh < IMINh.							

Bias Current Low Alarm Threshold LSB (IMINI)							
D[7] read/write	D[6] read/write	D[5] read/write	D[4] read/write	D[3] read/write	D[2] read/write	D[1] read/write	D[0] read/write
Default Value			0000 0000 <sub>b</sub> = 00 <sub>h</sub> (0mA)				
Serial Address			A2 <sub>h</sub> = 1010001 <sub>b</sub>				
Byte Address			19 = 13 <sub>h</sub>				
Each LSB represents 2 $\mu$ A. This register is to be used in conjunction with IMINh to yield a sixteen-bit value. The value in this register is uncalibrated. The value in IMINh is compared against IL Dh. Alarm bit Ax is set if IL Dh < IMINh. Since IL DI is always zero, it is recommended that this register always be programmed to zero. This register is provided for compliance with SFF-8472. It is not used by the MIC3000 when doing threshold comparisons and setting alarm or warning bits.							

**TX Optical Power High Alarm MSB (TXMAXh)**

D[7] read/write	D[6] read/write	D[5] read/write	D[4] read/write	D[3] read/write	D[2] read/write	D[1] read/write	D[0] read/write
Default Value			0000 0000 <sub>b</sub> = 00 <sub>h</sub> (0mW)				
Serial Address			A2 <sub>h</sub> = 1010001 <sub>b</sub>				
Byte Address			24 = 18 <sub>h</sub>				
Each LSB represents 25.6μW. This register is to be used in conjunction with TXOPI to yield a sixteen-bit value. The values in TXOPh:TXOPI are in an unsigned binary format. The value in this register is uncalibrated. The value in TXMAXh is compared against TXOPh. Alarm bit Ax is set if TXOPh > TXMAXh.							

**TX Optical Power High Alarm LSB (TXMAXl)**

D[7] read/write	D[6] read/write	D[5] read/write	D[4] read/write	D[3] read/write	D[2] read/write	D[1] read/write	D[0] read/write
Default Value			0000 0000 <sub>b</sub> = 00 <sub>h</sub> (0mW)				
Serial Address			A2 <sub>h</sub> = 1010001 <sub>b</sub>				
Byte Address			25 = 19 <sub>h</sub>				
Each LSB represents 0.1μW. This register is to be used in conjunction with TXMAXh to yield a sixteen-bit value. The values in TXOPh:TXOPI are in an unsigned binary format. The value in this register is uncalibrated. The value in TXMAXh is compared against TXOPh. Alarm bit Ax is set if TXOPh > TXMAXh. Since TXOPI is always zero, it is recommended that this register always be programmed to zero. This register is provided for compliance with SFF-8472. It is not used by the MIC3000 when doing threshold comparisons and setting alarm or warning bits.							

**TX Optical Power Low Alarm MSB (TXMINh)**

D[7] read/write	D[6] read/write	D[5] read/write	D[4] read/write	D[3] read/write	D[2] read/write	D[1] read/write	D[0] read/write
Default Value			0000 0000 <sub>b</sub> = 00 <sub>h</sub> (0mW)				
Serial Address			A2 <sub>h</sub> = 1010001 <sub>b</sub>				
Byte Address			26 = 1A <sub>h</sub>				
Each LSB represents 25.6μW. This register is to be used in conjunction with TXMINl to yield a sixteen-bit value. The values in TXMINh:TMINI are in an unsigned binary format. The value in this register is uncalibrated. The value in TXMINh is compared against TXOPh. Alarm bit Ax is set if TXOPh < TXMINh.							

**TX Optical Power Low Alarm LSB (TXMINl)**

D[7] read/write	D[6] read/write	D[5] read/write	D[4] read/write	D[3] read/write	D[2] read/write	D[1] read/write	D[0] read/write
Default Value			0000 0000 <sub>b</sub> = 00 <sub>h</sub> (0mW)				
Serial Address			A2 <sub>h</sub> = 1010001 <sub>b</sub>				
Byte Address			27 = 1B <sub>h</sub>				
Each LSB represents 0.1μW. This register is to be used in conjunction with TXMINh to yield a sixteen-bit value. The values in TXOPh:TXOPI are in an unsigned binary format. The value in this register is uncalibrated. The value in TXMINh is compared against TXOPh. Alarm bit Ax is set if TXOPh < TXMINh. Since TXOPI is always zero, it is recommended that this register always be programmed to zero. This register is provided for compliance with SFF-8472. It is not used by the MIC3000 when doing threshold comparisons and setting alarm or warning bits.							

RX Optical Power High Alarm Threshold MSB (RXMAXh)							
D[7] read/write	D[6] read/write	D[5] read/write	D[4] read/write	D[3] read/write	D[2] read/write	D[1] read/write	D[0] read/write
Default Value			0000 0000 <sub>b</sub> = 00 <sub>h</sub> (0mW)				
Serial Address			A2 <sub>h</sub> = 1010001 <sub>b</sub>				
Byte Address			32 = 20 <sub>h</sub>				
Each LSB represents 25.6μW. This register is to be used in conjunction with RXMAXI to yield a sixteen-bit value. The value in this register is uncalibrated. The value in RXMAXh is compared against RXOPh. Alarm bit Ax is set if RXOPh > RXMAXh.							

RX Optical Power High Alarm Threshold LSB (RXMAXI)							
D[7] read/write	D[6] read/write	D[5] read/write	D[4] read/write	D[3] read/write	D[2] read/write	D[1] read/write	D[0] read/write
Default Value			0000 0000 <sub>b</sub> = 00 <sub>h</sub> (0mW)				
Serial Address			A2 <sub>h</sub> = 1010001 <sub>b</sub>				
Byte Address			33 = 21 <sub>h</sub>				
Each LSB represents 0.1μW. This register is to be used in conjunction with RXMAXh to yield a sixteen-bit value. The values in RXMAXh:RXMAXI are in an unsigned binary format. The value in this register is uncalibrated. The value in RXMAXh is compared against RXOPh. Alarm bit Ax is set if RXOPh > RXMAXh. Since RXOPI is always zero, it is recommended that this register always be programmed to zero. This register is provided for compliance with SFF-8472. It is not used by the MIC3000 when doing threshold comparisons and setting alarm or warning bits.							

RX Optical Power Low Alarm Threshold MSB (RXMINh)							
D[7] read/write	D[6] read/write	D[5] read/write	D[4] read/write	D[3] read/write	D[2] read/write	D[1] read/write	D[0] read/write
Default Value			0000 0000 <sub>b</sub> = 00 <sub>h</sub> (0mW)				
Serial Address			A2 <sub>h</sub> = 1010001 <sub>b</sub>				
Byte Address			34 = 22 <sub>h</sub>				
Each LSB represents 25.6μW. This register is to be used in conjunction with RXMINI to yield a sixteen-bit value. The value in this register is uncalibrated. The value in RXMINh is compared against RXOPh. Alarm bit Ax is set if RXOPh < RXMINh.							

RX Optical Power Low Alarm Threshold LSB (RXMINI)							
D[7] read/write	D[6] read/write	D[5] read/write	D[4] read/write	D[3] read/write	D[2] read/write	D[1] read/write	D[0] read/write
Default Value			0000 0000 <sub>b</sub> = 00 <sub>h</sub> (0mW)				
Serial Address			A2 <sub>h</sub> = 1010001 <sub>b</sub>				
Byte Address			35 = 23 <sub>h</sub>				
Each LSB represents 0.1μW. This register is to be used in conjunction with RXMINh to yield a sixteen-bit value. The values in RXMINh:RXMINI are in an unsigned binary format. The value in this register is uncalibrated. The value in RXMINh is compared against RXOPh. Alarm bit Ax is set if RXOPh < RXMINh. Since RXOPI is always zero, it is recommended that this register always be programmed to zero. This register is provided for compliance with SFF-8472. It is not used by the MIC3000 when doing threshold comparisons and setting alarm or warning bits.							

## Warning Threshold Registers

Temperature High Warning Threshold MSB (THIGHh)							
D[7] read/write	D[6] read/write	D[5] read/write	D[4] read/write	D[3] read/write	D[2] read/write	D[1] read/write	D[0] read/write
Default Value			0000 0000 <sub>b</sub> = 00 <sub>h</sub> (0°C)				
Serial Address			A2 <sub>h</sub> = 1010001 <sub>b</sub>				
Byte Address			04 = 04 <sub>h</sub>				
<p>Each LSB represents one degree centigrade. This register is to be used in conjunction with THIGHI to yield a sixteen-bit temperature value. The value in this register is uncalibrated. The value in THIGHh is compared against TEMPh. Warning bit Wx is set if TEMPh &gt; THIGHh.</p>							

Temperature High Warning Threshold LSB (THIGHI)							
D[7] read/write	D[6] read/write	D[5] read/write	D[4] read/write	D[3] read/write	D[2] read/write	D[1] read/write	D[0] read/write
Default Value			0000 0000 <sub>b</sub> = 00 <sub>h</sub> (0°C)				
Serial Address			A2 <sub>h</sub> = 1010001 <sub>b</sub>				
Byte Address			05 = 05 <sub>h</sub>				
<p>This register is to be used in conjunction with THIGHh to yield a sixteen-bit temperature value. The value in this register is uncalibrated. The value in THIGHh is compared against TEMPh. Warning bit Wx is set if THIGHh &gt; TEMPh. Since TEMPI is always zero, it is recommended that this register always be programmed to zero. This register is provided for compliance with SFF-8472. It is not used by the MIC3000 when doing threshold comparisons and setting alarm or warning bits.</p>							

Temperature Low Warning Threshold MSB (TLOWh)							
D[7] read/write	D[6] read/write	D[5] read/write	D[4] read/write	D[3] read/write	D[2] read/write	D[1] read/write	D[0] read/write
Default Value			0000 0000 <sub>b</sub> = 00 <sub>h</sub> (0°C)				
Serial Address			A2 <sub>h</sub> = 1010001 <sub>b</sub>				
Byte Address			06 = 06 <sub>h</sub>				
<p>Each LSB represents one degree centigrade. This register is to be used in conjunction with TLOWI to yield a sixteen-bit temperature value. The value in this register is uncalibrated. The value in TLOWh is compared against TEMPh. Warning bit Wx is set if TEMPh &lt; TLOWh.</p>							

Temperature Low Warning Threshold LSB (TLOWI)							
D[7] read/write	D[6] read/write	D[5] read/write	D[4] read/write	D[3] read/write	D[2] read/write	D[1] read/write	D[0] read/write
Default Value			0000 0000 <sub>b</sub> = 00 <sub>h</sub> (0°C)				
Serial Address			A2 <sub>h</sub> = 1010001 <sub>b</sub>				
Byte Address			07 = 07 <sub>h</sub>				
<p>This register is to be used in conjunction with TLOWh to yield a sixteen-bit temperature value. The value in this register is uncalibrated. The value in TLOWh is compared against TEMPh. Warning bit Wx is set if TEMPh &lt; TLOWh. Since TEMPI is always zero, it is recommended that this register always be programmed to zero. This register is provided for compliance with SFF-8472. It is not used by the MIC3000 when doing threshold comparisons and setting alarm or warning bits.</p>							

Voltage High Warning Threshold MSB (VHIGHh)							
D[7] read/write	D[6] read/write	D[5] read/write	D[4] read/write	D[3] read/write	D[2] read/write	D[1] read/write	D[0] read/write
Default Value			0000 0000 <sub>b</sub> = 00 <sub>h</sub> (0V)				
Serial Address			A2 <sub>h</sub> = 1010001 <sub>b</sub>				
Byte Address			12 = 0C <sub>h</sub>				
Each LSB represents 25.6mV. This register is to be used in conjunction with VHIGHl to yield a sixteen-bit value. The value in this register is uncalibrated. The value in VHIGHh is compared against VINh. Warning bit Wx is set if VINh > VHIGHh.							

Voltage High Warning Threshold LSB (VHIGHl)							
D[7] read/write	D[6] read/write	D[5] read/write	D[4] read/write	D[3] read/write	D[2] read/write	D[1] read/write	D[0] read/write
Default Value			0000 0000 <sub>b</sub> = 00 <sub>h</sub> (0V)				
Serial Address			A2 <sub>h</sub> = 1010001 <sub>b</sub>				
Byte Address			13 = 0D <sub>h</sub>				
Each LSB represents 100μV. This register is to be used in conjunction with VHIGHh to yield a sixteen-bit value. The value in VHIGHh is compared against VINh. Warning bit Wx is set if VINh > VHIGHh. Since VINl is always zero, it is recommended that this register always be programmed to zero. This register is provided for compliance with SFF-8472. It is not used by the MIC3000 when doing threshold comparisons and setting alarm or warning bits.							

Voltage Low Warning Threshold MSB (VLOWh)							
D[7] read/write	D[6] read/write	D[5] read/write	D[4] read/write	D[3] read/write	D[2] read/write	D[1] read/write	D[0] read/write
Default Value			0000 0000 <sub>b</sub> = 00 <sub>h</sub> (0V)				
Serial Address			A2 <sub>h</sub> = 1010001 <sub>b</sub>				
Byte Address			14 = 0E <sub>h</sub>				
Each LSB represents 25.6mV. This register is to be used in conjunction with VLOWl to yield a sixteen-bit value. The value in this register is uncalibrated. The value in VLOWh is compared against VINh. Warning bit Wx is set if VINh < VLOWh.							

Voltage Low Warning Threshold LSB (VLOWl)							
D[7] read/write	D[6] read/write	D[5] read/write	D[4] read/write	D[3] read/write	D[2] read/write	D[1] read/write	D[0] read/write
Default Value			0000 0000 <sub>b</sub> = 00 <sub>h</sub> (0V)				
Serial Address			A2 <sub>h</sub> = 1010001 <sub>b</sub>				
Byte Address			15 = 0F <sub>h</sub>				
Each LSB represents 100μV. This register is to be used in conjunction with VLOWh to yield a sixteen-bit value. The value in VLOWh is compared against VINh. Warning bit Wx is set if VINh < VLOWh. Since VINl is always zero, it is recommended that this register always be programmed to zero. This register is provided for compliance with SFF-8472. It is not used by the MIC3000 when doing threshold comparisons and setting alarm or warning bits.							

Bias Current High Warning Threshold MSB (IHIGHh)							
D[7] read/write	D[6] read/write	D[5] read/write	D[4] read/write	D[3] read/write	D[2] read/write	D[1] read/write	D[0] read/write
Default Value			0000 0000 <sub>b</sub> = 00 <sub>h</sub> (0mA)				
Serial Address			A2 <sub>h</sub> = 1010001 <sub>b</sub>				
Byte Address			20 = 14 <sub>h</sub>				
This register is to be used in conjunction with IHIGHl to yield a sixteen-bit value. The value in this register is uncalibrated. The value in IHIGHh is compared against ILDh. Warning bit Wx is set if ILDh > IHIGHh.							

Bias Current High Warning Threshold LSB (IHIGHI)							
D[7] read/write	D[6] read/write	D[5] read/write	D[4] read/write	D[3] read/write	D[2] read/write	D[1] read/write	D[0] read/write
Default Value			0000 0000 <sub>b</sub> = 00 <sub>h</sub> (0mA)				
Serial Address			A2 <sub>h</sub> = 1010001 <sub>b</sub>				
Byte Address			21 = 15 <sub>h</sub>				
Each LSB represents 2μA. This register is to be used in conjunction with IHIGHh to yield a sixteen-bit value. The value in this register is uncalibrated. The value in IHIGHh is compared against ILDh. Warning bit Wx is set if ILDh > IHIGHh. Since ILDI is always zero, it is recommended that this register always be programmed to zero. This register is provided for compliance with SFF-8472. It is not used by the MIC3000 when doing threshold comparisons and setting alarm or warning bits.							

Bias Current Low Warning Threshold MSB (ILOWh)							
D[7] read/write	D[6] read/write	D[5] read/write	D[4] read/write	D[3] read/write	D[2] read/write	D[1] read/write	D[0] read/write
Default Value			0000 0000 <sub>b</sub> = 00 <sub>h</sub> (0mA)				
Serial Address			A2 <sub>h</sub> = 1010001 <sub>b</sub>				
Byte Address			22 = 16 <sub>h</sub>				
This register is to be used in conjunction with ILOWl to yield a sixteen-bit value. The value in this register is uncalibrated. The value in ILOWh is compared against ILDh. Warning bit Wx is set if ILDh < ILOWh.							

Bias Current Low Warning Threshold LSB (ILOWI)							
D[7] read/write	D[6] read/write	D[5] read/write	D[4] read/write	D[3] read/write	D[2] read/write	D[1] read/write	D[0] read/write
Default Value			0000 0000 <sub>b</sub> = 00 <sub>h</sub> (0mA)				
Serial Address			A2 <sub>h</sub> = 1010001 <sub>b</sub>				
Byte Address			23 = 17 <sub>h</sub>				
Each LSB represents 2μA. This register is to be used in conjunction with ILOWh to yield a sixteen-bit value. The value in this register is uncalibrated. The value in ILOWh is compared against ILDh. Warning bit Wx is set if ILDh < ILOWh. Since ILDI is always zero, it is recommended that this register always be programmed to zero. This register is provided for compliance with SFF-8472. It is not used by the MIC3000 when doing threshold comparisons and setting alarm or warning bits.							



TX Optical Power High Warning MSB (TXHIGHh)							
D[7] read/write	D[6] read/write	D[5] read/write	D[4] read/write	D[3] read/write	D[2] read/write	D[1] read/write	D[0] read/write
Default Value			0000 0000 <sub>b</sub> = 00 <sub>h</sub> (0mW)				
Serial Address			A2 <sub>h</sub> = 1010001 <sub>b</sub>				
Byte Address			28 = 1C <sub>h</sub>				
Each LSB represents 25.6μW. This register is to be used in conjunction with TXHIGHl to yield a sixteen-bit value. The values in TXHIGHh:TXHIGHl are in an unsigned binary format. The value in this register is uncalibrated. The value in TXHIGHh is compared against TXOPh. Warning bit Wx is set if TXOPh > TXHIGHh.							

TX Optical Power High Warning LSB (TXHIGHl)							
D[7] read/write	D[6] read/write	D[5] read/write	D[4] read/write	D[3] read/write	D[2] read/write	D[1] read/write	D[0] read/write
Default Value			0000 0000 <sub>b</sub> = 00 <sub>h</sub> (0mW)				
Serial Address			A2 <sub>h</sub> = 1010001 <sub>b</sub>				
Byte Address			29 = 1D <sub>h</sub>				
Each LSB represents 0.1μW. This register is to be used in conjunction with TXHIGHh to yield a sixteen-bit value. The values in TXHIGHh:TXHIGHl are in an unsigned binary format. The value in this register is uncalibrated. The value in TXHIGHh is compared against TXOPh. Warning bit Wx is set if TXOPh > TXHIGHh. Since TXOPl is always zero, it is recommended that this register always be programmed to zero. This register is provided for compliance with SFF-8472. It is not used by the MIC3000 when doing threshold comparisons and setting alarm or warning b.							

TX Optical Power Low Warning MSB (TLOWh)							
D[7] read/write	D[6]	D[5]	D[4]	D[3]	D[2]	D[1]	D[0]
Default Value			0000 0000 <sub>b</sub> = 00 <sub>h</sub> (0mW)				
Serial Address			A2 <sub>h</sub> = 1010001 <sub>b</sub>				
Byte Address			30 = 1E <sub>h</sub>				
Each LSB represents 25.6μW. This register is to be used in conjunction with TLOWl to yield a sixteen-bit value. The values in TLOWh:TLOWl are in an unsigned binary format. The value in this register is uncalibrated. The value in TLOWh is compared against TXOPh. Warning bit Wx is set if TXOPh < TLOWh.							

TX Optical Power Low Warning LSB (TLOWl)							
D[7] read/write	D[6] read/write	D[5] read/write	D[4] read/write	D[3] read/write	D[2] read/write	D[1] read/write	D[0] read/write
Default Value			0000 0000 <sub>b</sub> = 00 <sub>h</sub> (0mW)				
Serial Address			A2 <sub>h</sub> = 1010001 <sub>b</sub>				
Byte Address			31 = 1F <sub>h</sub>				
Each LSB represents 0.1μW. This register is to be used in conjunction with TLOWh to yield a sixteen-bit value. The values in TLOWh:TLOWl are in an unsigned binary format. The value in this register is uncalibrated. The value in TLOWh is compared against TXOPh. Warning bit Wx is set if TXOPh < TLOWh. Since TXOPl is always zero, it is recommended that this register always be programmed to zero. This register is provided for compliance with SFF-8472. It is not used by the MIC3000 when doing threshold comparisons and setting alarm or warning bits.							

RX Optical Power High Warning Threshold MSB (RXHIGHh)							
D[7] read/write	D[6] read/write	D[5] read/write	D[4] read/write	D[3] read/write	D[2] read/write	D[1] read/write	D[0] read/write
Default Value			0000 0000 <sub>b</sub> = 00 <sub>h</sub> (0mW)				
Serial Address			A2 <sub>h</sub> = 1010001 <sub>b</sub>				
Byte Address			36 = 24 <sub>h</sub>				
Each LSB represents 25.6μW. This register is to be used in conjunction with RXHIGHl to yield a sixteen-bit value. The value in this register is uncalibrated. The value in RXHIGHh is compared against RXOPh. Warning bit Wx is set if RXOPh > RXHIGHh.							

RX Optical Power High Warning Threshold LSB (RXHIGHl)							
D[7] read/write	D[6] read/write	D[5] read/write	D[4] read/write	D[3] read/write	D[2] read/write	D[1] read/write	D[0] read/write
Default Value			0000 0000 <sub>b</sub> = 00 <sub>h</sub> (0mW)				
Serial Address			A2 <sub>h</sub> = 1010001 <sub>b</sub>				
Byte Address			37 = 25 <sub>h</sub>				
Each LSB represents 0.1μW. This register is to be used in conjunction with RXHIGHh to yield a sixteen-bit value. The values in RXHIGHh:RXHIGHl are in an unsigned binary format. The value in this register is uncalibrated. The value in RXHIGHh is compared against RXOPh. Warning bit Wx is set if RXOPh > RXHIGHh. Since RXOPl is always zero, it is recommended that this register always be programmed to zero. This register is provided for compliance with SFF-8472. It is not used by the MIC3000 when doing threshold comparisons and setting alarm or warning bits.							

RX Optical Power Low Warning Threshold MSB (RXLOWh)							
D[7] read/write	D[6] read/write	D[5] read/write	D[4] read/write	D[3] read/write	D[2] read/write	D[1] read/write	D[0] read/write
Default Value			0000 0000 <sub>b</sub> = 00 <sub>h</sub> (0mW)				
Serial Address			A2 <sub>h</sub> = 1010001 <sub>b</sub>				
Byte Address			38 = 26 <sub>h</sub>				
Each LSB represents 25.6μW. This register is to be used in conjunction with RXLOWl to yield a sixteen-bit value. The value in this register is uncalibrated. The value in RXLOWh is compared against RXOPh. Warning bit Wx is set if RXOPh < RXLOWh.							

RX Optical Power Low Warning Threshold LSB (RXLOWl)							
D[7] read/write	D[6] read/write	D[5] read/write	D[4] read/write	D[3] read/write	D[2] read/write	D[1] read/write	D[0] read/write
Default Value			0000 0000 <sub>b</sub> = 00 <sub>h</sub> (0mW)				
Serial Address			A2 <sub>h</sub> = 1010001 <sub>b</sub>				
Byte Address			39 = 27 <sub>h</sub>				
Each LSB represents 0.1μW. This register is to be used in conjunction with RXLOWh to yield a sixteen-bit value. The values in RXLOWh:RXLOWl are in an unsigned binary format. The value in this register is uncalibrated. The value in RXLOWh is compared against RXOPh. Warning bit Wx is set if RXOPh < RXLOWh. Since RXOPl is always zero, it is recommended that this register always be programmed to zero. This register is provided for compliance with SFF-8472. It is not used by the MIC3000 when doing threshold comparisons and setting alarm or warning bits.							

Checksum (CHKSUM)							
Checksum of bytes 0 - 94 at serial address A2h							
D[7] read/write	D[6] read/write	D[5] read/write	D[4] read/write	D[3] read/write	D[2] read/write	D[1] read/write	D[0] read/write
Default Value			0000 0000 <sub>b</sub> = 00 <sub>h</sub> (0°C)				
Serial Address			A2 <sub>h</sub> = 1010001 <sub>b</sub>				
Byte Address			95 = 5F <sub>h</sub>				
<p>This register is provided for compliance with SFF-8472. It is implemented as general-purpose non-volatile memory. Read/write access is possible whenever a valid OEM password has been entered. CHKSUM is read-only in USER mode.</p>							

## ADC Result Registers

Temperature Result MSB (TEMPh)							
D[7] read-only	D[6] read-only	D[5] read-only	D[4] read-only	D[3] read-only	D[2] read-only	D[1] read-only	D[0] read-only
Default Value			0000 0000 <sub>b</sub> = 00 <sub>h</sub> (0°C) <sup>(1)</sup>				
Serial Address			A2 <sub>h</sub> = 1010001 <sub>b</sub>				
Byte Address			96 = 60 <sub>h</sub>				
<p>Each LSB represents one degree centigrade. This register is to be used in conjunction with TEMPl to yield a sixteen-bit temperature value. The value in this register is uncalibrated. The host should process the results using the scale factor and offset provided. See the External Calibration section.</p>							

Temperature Result LSB (TEMPl)							
D[7] read-only	D[6] read-only	D[5] read-only	D[4] read-only	D[3] read-only	D[2] read-only	D[1] read-only	D[0] read-only
Default Value			0000 0000 <sub>b</sub> = 00 <sub>h</sub> (0°C)				
Serial Address			A2 <sub>h</sub> = 1010001 <sub>b</sub>				
Byte Address			97 = 61 <sub>h</sub>				
<p>This register is to be used in conjunction with TEMPh to yield a sixteen-bit temperature value. The value in this register is uncalibrated. The host should process the results using the scale factor and offset provided. See the External Calibration section. In the MIC3000, this register will always return zero. This register is provided for compliance with SFF-8472. It is not used by the MIC3000 when doing threshold comparisons and setting alarm or warning bits.</p>							

Voltage MSB (VINh)							
D[7] read-only	D[6] read-only	D[5] read-only	D[4] read-only	D[3] read-only	D[2] read-only	D[1] read-only	D[0] read-only
Default Value			0000 0000 <sub>b</sub> = 00 <sub>h</sub> (0V) <sup>(2)</sup>				
Serial Address			A2 <sub>h</sub> = 1010001 <sub>b</sub>				
Byte Address			98 = 62 <sub>h</sub>				
<p>Each LSB represents 25.6mV. This register is to be used in conjunction with VINl to yield a sixteen-bit value. The values in VINh:VINl are in an unsigned binary format. The value in this register is uncalibrated. The host should process the results using the scale factor and offset provided. See the External Calibration section.</p>							

Voltage LSB (VINl)							
D[7] read-only	D[6] read-only	D[5] read-only	D[4] read-only	D[3] read-only	D[2] read-only	D[1] read-only	D[0] read-only
Default Value			0000 0000 <sub>b</sub> = 00 <sub>h</sub> (0V)				
Serial Address			A2 <sub>h</sub> = 1010001 <sub>b</sub>				
Byte Address			99 = 63 <sub>h</sub>				
<p>Each LSB represents 100μV. This register is to be used in conjunction with VINh to yield a sixteen-bit value. The values in VINh:VINl are in an unsigned binary format. The value in this register is uncalibrated. The host should process the results using the scale factor and offset provided. See the External Calibration section. In the MIC3000, this register will always return zero. This register is provided for compliance with SFF-8472. It is not used by the MIC3000 when doing threshold comparisons and setting alarm or warning bits.</p>							

### Notes:

1. TEMPh will contain measured temperature data after the completion of one conversion.
2. VINh will contain measured data after one A/D conversion cycle.

Laser Diode Bias Current MSB (ILDh)							
D[7] read-only	D[6] read-only	D[5] read-only	D[4] read-only	D[3] read-only	D[2] read-only	D[1] read-only	D[0] read-only
Default Value			0000 0000 <sub>b</sub> = 00 <sub>h</sub> (0mA) <sup>(3)</sup>				
Serial Address			A2 <sub>h</sub> = 1010001 <sub>b</sub>				
Byte Address			100 = 64 <sub>h</sub>				
This register is to be used in conjunction with ILDI to yield a sixteen-bit value. The values in ILDh:ILDI are in an unsigned binary format. The value in this register is uncalibrated. The host should process the results using the scale factor and offset provided. See the External Calibration sections.							

Laser Diode Bias Current LSB (ILDI)							
D[7] read-only	D[6] read-only	D[5] read-only	D[4] read-only	D[3] read-only	D[2] read-only	D[1] read-only	D[0] read-only
Default Value			0000 0000 <sub>b</sub> = 00 <sub>h</sub> (0mA)				
Serial Address			A2 <sub>h</sub> = 1010001 <sub>b</sub>				
Byte Address			101 = 65 <sub>h</sub>				
Each LSB represents 2 $\mu$ A. This register is to be used in conjunction with ILDh to yield a sixteen-bit value. The values in ILDh:ILDI are in an unsigned binary format. The value in this register is uncalibrated. The host should process the results using the scale factor and offset provided. See the External Calibration section. In the MIC3000, this register will always return zero. This register is provided for compliance with SFF-8472. It is not used by the MIC3000 when doing threshold comparisons and setting alarm or warning bits.							

Transmitted Optical Power MSB (TXOPh) <sup>(4)</sup>							
D[7] read-only	D[6] read-only	D[5] read-only	D[4] read-only	D[3] read-only	D[2] read-only	D[1] read-only	D[0] read-only
Default Value			0000 0000 <sub>b</sub> = 00 <sub>h</sub> (0mW) <sup>(5)</sup>				
Serial Address			A2 <sub>h</sub> = 1010001 <sub>b</sub>				
Byte Address			102 = 66 <sub>h</sub>				
Each LSB represents 25.6 $\mu$ W. This register is to be used in conjunction with TXOPI to yield a sixteen-bit value. The values in TXOPh:TXOPI are in an unsigned binary format. The value in this register is uncalibrated. The host should process the results using the scale factor and offset provided. See the External Calibration section.							

Transmitted Optical Power LSB (TXOPI)							
D[7] read-only	D[6] read-only	D[5] read-only	D[4] read-only	D[3] read-only	D[2] read-only	D[1] read-only	D[0] read-only
Default Value			0000 0000 <sub>b</sub> = 00 <sub>h</sub> (0mW)				
Serial Address			A2 <sub>h</sub> = 1010001 <sub>b</sub>				
Byte Address			103 = 67 <sub>h</sub>				
Each LSB represents 0.1 $\mu$ W. This register is to be used in conjunction with TXOPh to yield a sixteen-bit value. The values in TXOPh:TXOPI are in an unsigned binary format. The value in this register is uncalibrated. The host should process the results using the scale factor and offset provided. See the External Calibration section. In the MIC3000, this register will always return zero. This register is provided for compliance with SFF-8472. It is not used by the MIC3000 when doing threshold comparisons and setting alarm or warning bitsection.							

**Notes:**

3. ILDh will contain measured data after one A/D conversion cycle.
4. The scale factor corresponding to the sense resistor used must be set in the configuration register.
5. TXOPh will contain measured data after one A/D conversion cycle.

### Received Optical Power MSB (RXOPh)

D[7] read-only	D[6] read-only	D[5] read-only	D[4] read-only	D[3] read-only	D[2] read-only	D[1] read-only	D[0] read-only
Default Value			0000 0000 <sub>b</sub> = 00 <sub>h</sub> (0mW) <sup>(6)</sup>				
Serial Address			A2 <sub>h</sub> = 1010001 <sub>b</sub>				
Byte Address			104 = 68 <sub>h</sub>				
<p>Each LSB represents 25.6μW. This register is to be used in conjunction with RXOPI to yield a sixteen-bit value. The values in RXOPh:RXOPI are in an unsigned binary format. The value in this register is uncalibrated. The host should process the results using the scale factor and offset provided. See the External Calibration section.</p>							

### Received Optical Power LSB (RXOPI)

D[7] read-only	D[6] read-only	D[5] read-only	D[4] read-only	D[3] read-only	D[2] read-only	D[1] read-only	D[0] read-only
Default Value			0000 0000 <sub>b</sub> = 00 <sub>h</sub> (0mW) <sup>(6)</sup>				
Serial Address			A2 <sub>h</sub> = 1010001 <sub>b</sub>				
Byte Address			105 = 69 <sub>h</sub>				
<p>Each LSB represents 0.1μW. This register is to be used in conjunction with RXOPh to yield a sixteen-bit value. The values in RXOPh:RXOPI are in an unsigned binary format. The value in this register is uncalibrated. The host should process the results using the coefficients provided. See the External Calibration section. In the MIC3000, this register will always return zero. This register is provided for compliance with SFF-8472. It is not used by the MIC3000 when doing threshold comparisons and setting alarm or warning bits.</p>							

### Control and Status (CNTRL)

D[7] <b>TXDIS</b> read only	D[6] <b>STXDIS</b> read/write	D[5] <b>reserved</b>	D[4] <b>RSEL</b> read/write	D[3] <b>SRSEL</b> read/write	D[2] <b>XFLT</b> read only	D[1] <b>LOS</b> read only	D[0] <b>POR</b> read only
Default Value			0000 0000 <sub>b</sub> = 00 <sub>h</sub>				
Serial Address			A2 <sub>h</sub> = 1010001 <sub>b</sub>				
Byte Address			110 = 6E <sub>h</sub>				

Bit(s)	Function	Operation
D[7]	<b>TXDIS</b>	Reflects the state of the TXDISABLE pin 1 = disabled, 0 = enabled, read only.
D[6]	<b>STXDIS</b>	Soft transmit disable 1 = disabled; 0 = enabled.
D[5]	<b>D[5]</b>	Reserved Reserved - always write as zero.
D[4]	<b>RSEL</b>	Reflects the state of the RSEL pin 1 = high; 0 = low.
D[3]	<b>SRSEL</b>	Soft rate select 1 = high (2Gbps); 0 = low (1Gbps).
D[2]	<b>TXFLT</b>	Reflects the state of the TXFAULT pin 1 = high (fault); 0 = low (no fault).
D[1]	<b>LOS</b>	Loss of signal. Reflects the state of the LOS pin 1 = high (loss of signal); 0 = low (no loss of signal).
D[0]	<b>POR</b>	MIC3000 power-on status 0 = POR complete, analog data ready; 1 = POR in progress.

**Notes:**

6. RXOPh will contain measured data after one A/D conversion cycle.

## Alarm Flags

Alarm Register 0 (ALARM0)							
D[7] <b>A7</b> read-only	D[6] <b>A6</b> read-only	D[5] <b>A5</b> read-only	D[4] <b>A4</b> read-only	D[3] <b>A3</b> read-only	D[2] <b>A2</b> read-only	D[1] <b>A1</b> read-only	D[0] <b>A0</b> read-only
Default Value			0000 0000 <sub>b</sub> = 00 <sub>h</sub> (no events pending)				
Serial Address			A2 <sub>h</sub> = 1010001 <sub>b</sub>				
Byte Address			112 = 70 <sub>h</sub>				
The power-up default value is 00 <sub>h</sub> . Following the first A/D conversion, however, any of the bits may be set depending upon the results.							

Bit(s)		Function	Operation
D[7]	A7	High temperature alarm, TEMP <sub>h</sub> > TMAX <sub>h</sub> .	1 = condition exists, 0 = normal/OK.
D[6]	A6	Low temperature alarm, TEMP <sub>h</sub> < TMIN <sub>h</sub> .	1 = condition exists, 0 = normal/OK.
D[5]	A5	High voltage alarm, VIN <sub>h</sub> > VMAX <sub>h</sub> .	1 = condition exists, 0 = normal/OK.
D[4]	A4	Low voltage alarm, VIN <sub>h</sub> < VMIN <sub>h</sub> .	1 = condition exists, 0 = normal/OK.
D[3]	A3	High laser diode bias alarm, IBIAS <sub>h</sub> > IMAX <sub>h</sub> .	1 = condition exists, 0 = normal/OK.
D[2]	A2	Low laser diode bias alarm, IBIAS <sub>h</sub> < IMIN <sub>h</sub> .	1 = condition exists, 0 = normal/OK.
D[1]	A1	High transmit optical power alarm, TXOP <sub>h</sub> > TXMAX <sub>h</sub> .	1 = condition exists, 0 = normal/OK.
D[0]	A0	Low transmit optical power alarm, TXOP <sub>h</sub> < TXMIN <sub>h</sub> .	1 = condition exists, 0 = normal/OK.

Alarm Register 1 (ALARM1)							
D[7] <b>A15</b> read-only	D[6] <b>A14</b> read-only	D[5] reserved	D[4] reserved	D[3] reserved	D[2] reserved	D[1] reserved	D[0] reserved
Default Value			0000 0000 <sub>b</sub> = 00 <sub>h</sub> (no events pending)				
Serial Address			A2 <sub>h</sub> = 1010001 <sub>b</sub>				
Byte Address			113 = 71 <sub>h</sub>				
The power-up default value is 00 <sub>h</sub> . Following the first A/D conversion, however, any of the bits may be set depending on the results.							

Bit(s)		Function	Operation
D[7]	<b>A15</b>	High received power (overload) alarm, RXOP <sub>h</sub> > RXMAX <sub>h</sub> .	1 = condition exists, 0 = normal/OK.
D[6]	<b>A14</b>	Low received power (LOS) alarm, RXOP <sub>h</sub> < RXMIN <sub>h</sub> .	1 = condition exists, 0 = normal/OK.
D[5:0]		Reserved	Reserved - always write as zero.

## Warning Flags

Warning Register 0 (WARN0)							
D[7] <b>W7</b> read-only	D[6] <b>W6</b> read-only	D[5] <b>W5</b> read-only	D[4] <b>W4</b> read-only	D[3] <b>W3</b> read-only	D[2] <b>W2</b> read-only	D[1] <b>W1</b> read-only	D[0] <b>W0</b> read-only
Default Value				0000 0000 <sub>b</sub> = 00 <sub>h</sub> (no events pending)			
Serial Address				A2 <sub>h</sub> = 1010001 <sub>b</sub>			
Byte Address				116 = 74 <sub>h</sub>			
The power-up default value is 00 <sub>h</sub> . Following the first A/D conversion, however, any of the bits may be set depending upon the results.							

Bit(s)		Function	Operation
D[7]	<b>W7</b>	High temperature warning, TEMPh > THIGHh.	1 = condition exists, 0 = normal/OK.
D[6]	<b>W6</b>	Low temperature warning, TEMPh < TLOWh.	1 = condition exists, 0 = normal/OK.
D[5]	<b>W5</b>	High voltage warning, VINh > VHIGHh.	1 = condition exists, 0 = normal/OK.
D[4]	<b>W4</b>	Low voltage warning, VINh < VLOWh.	1 = condition exists, 0 = normal/OK.
D[3]	<b>W3</b>	High laser diode bias warning, IBIASh > IHIGHh.	1 = condition exists, 0 = normal/OK.
D[2]	<b>W2</b>	Low laser diode bias warning, IBIASh < ILOWh.	1 = condition exists, 0 = normal/OK.
D[1]	<b>W1</b>	High transmit optical power warning, TXOPh > TXHIGHh.	1 = condition exists, 0 = normal/OK.
D[0]	<b>W0</b>	Low transmit optical power warning, TXOPh < TXLOWh.	1 = condition exists, 0 = normal/OK.

Warning Register 1 (WARN1)							
D[7] <b>W15</b> read-only	D[6] <b>W14</b> read-only	D[5] read-only	D[4] read-only	D[3] read-only	D[2] read-only	D[1] read-only	D[0] read-only
Default Value				0000 0000 <sub>b</sub> = 00 <sub>h</sub> (no events pending)			
Serial Address				A2 <sub>h</sub> = 1010001 <sub>b</sub>			
Byte Address				117 = 75 <sub>h</sub>			
The power-up default value is 00 <sub>h</sub> . Following the first A/D conversion, however, any of the bits may be set depending on the results.							

Bit(s)		Function	Operation
D[7]	<b>W15</b>	Received power high warning, RXOPh > RXHIGHh.	1 = condition exists, 0 = normal/OK.
D[6]	<b>W14</b>	Received power low warning, RXOPh < RXMINh.	1 = condition exists, 0 = normal/OK.
D[5:0]		Reserved	Reserved - always write as zero.



OEM Password Entry (OEMPW)							
D[7] Read/write	D[6] Read/write	D[5] Read/write	D[4] Read/write	D[3] Read/write	D[2] Read/write	D[1] Read/write	D[0] Read/write
Default Value			0000 0000 <sub>b</sub> = 00 <sub>h</sub> (reset to zero at power-on)				
Serial Address			A2 <sub>h</sub> = 1010001 <sub>b</sub>				
Byte Address			120 – 123 = 78 <sub>h</sub> - 7B <sub>h</sub> (MSB is 7B <sub>h</sub> )				
<p>This four-byte field is for entry of the password required to access the OEM area of the MIC3000's memory and registers. A valid OEM password will also permit access to the user areas of memory. The byte at address 123 (7B<sub>h</sub>) is the most significant byte. This field is compared to the four-byte OEMPWSET field at serial address A6h, bytes 12 to 15. If the two fields match, access is allowed to the OEM areas of the MIC3000 non-volatile memory at serial addresses A4<sub>h</sub> and A6<sub>h</sub>. The OEM password is set by writing the new value into OEMPWSET. The password comparison is performed following the write to the MSB, address 7B<sub>h</sub>. This byte must be written last!</p> <p>A four-byte burst-write sequence to address 78<sub>h</sub> may be used as this will result in the MSB being written last. The new password will not take effect until after a power-on reset occurs or a warm reset is performed using the RST bit in OEMCFG0. This allows the new password to be verified before it takes effect. This field is reset to all zeros at power on. Any values written to these locations will be readable by the host regardless of the locked/unlocked status of the device. If OEMPWSET is set to zero (00000000<sub>h</sub>), the MIC3000 will remain unlocked regardless of the contents of the OEMPW field. This is the factory default security setting.</p>							

BYTE	Weight
3	OEM Password Entry, Most Significant Byte (Address = 7Bh)
2	OEM Password Entry, 2nd Most Significant Byte (Address = 7Ah)
1	OEM Password Entry, 2nd Least Significant Byte (Address = 79h)
0	OEM Password Entry, Least Significant Byte (Address = 78h)

USER Password Setting (USRPWSET)							
D[7] Read/write	D[6] Read/write	D[5] Read/write	D[4] Read/write	D[3] Read/write	D[2] Read/write	D[1] Read/write	D[0] Read/write
Default Value			0000 0000 <sub>b</sub> = 00 <sub>h</sub>				
Serial Address			A2 <sub>h</sub> = 1010001 <sub>b</sub>				
Byte Address			250 = FA <sub>h</sub>				
<p>This register is for setting the password required to access the USER area of the MIC3000's memory and registers. This field is compared to the USRPW field at serial address A2<sub>h</sub>, byte 251. If the two fields match, access is allowed to the USER areas of the MIC3000 non-volatile memory at serial addresses A0h and A2h. If a valid USER password has not been entered, writes to the serial ID fields, USRCTRL, and the user scratchpad areas of A0<sub>h</sub> and A2<sub>h</sub> will not be allowed, and USRPWSET will be unreadable (returns all zeroes).</p> <p>A USER password is set by writing the new value into USRPWSET. The new password will not take effect until after a power-on reset occurs or a warm reset is performed using the RST bit in OEMCFG0. This allows the new password to be verified before it takes effect. This register is non-volatile and will be maintained through power and reset cycles. A valid USER or OEM password is required for access to this register. Otherwise, this register will read as 00<sub>h</sub>. Note: a valid OEM password overrides the USER password setting. If a valid OEM password is currently in place, the user password will have no effect.</p>							

USER Password (USRPW)							
D[7] Read/write	D[6] Read/write	D[5] Read/write	D[4] Read/write	D[3] Read/write	D[2] Read/write	D[1] Read/write	D[0] Read/write
Default Value			0000 0000 <sub>b</sub> = 00 <sub>h</sub>				
Serial Address			A2 <sub>h</sub> = 1010001 <sub>b</sub>				
Byte Address			251 = FB <sub>h</sub>				
<p>USER passwords are entered in this field. This field is compared to the USRPWSET field at serial address A2<sub>h</sub>, byte 250. If the two fields match, access is allowed to the USER areas of the MIC3000 non-volatile memory at serial addresses A0<sub>h</sub> and A2<sub>h</sub>. If a valid USER password has not been entered, writes to the serial ID fields and user scratchpad areas of A0<sub>h</sub> and A2<sub>h</sub> will not be allowed and USRPWSET will be unreadable (returns all zeroes).</p>							

Power-On Hours MSB (POHh)							
D[7] read-only	D[6] read/write	D[5] read/write	D[4] read/write	D[3] read/write	D[2] read/write	D[1] read/write	D[0] read/write
POH Fault Flag (POHFLT)							
Default Value			0000 0000 <sub>b</sub> = 00 <sub>h</sub>				
Serial Address			A2 <sub>h</sub> = 1010001 <sub>b</sub>				
Byte Address			252 = FC <sub>h</sub>				
<p>The lower seven bits of this register contain the most-significant bits of the 15-bit power-on hours measurement. POHFLT is an error flag. The value in this register should be combined with the Power-on Hours, Low Byte, POHl, to yield the complete result. If POHFLT is set, the power-on hour meter data has been corrupted and should be ignored. It is recommended that a two-byte (or more) sequential read operation be performed on POHh and POHl to insure coherency between the two registers. This register is non-volatile and will be maintained through power and reset cycle.</p>							

Bit(s)	Function	Operation
D[7]	Power-on hours fault flag	1 = fault; 0 = no fault.
D[6:0]	Power-on hours, high byte	Non-volatile.

Power-On Hours LSB (POHl)							
D[7] read/write	D[6] read/write	D[5] read/write	D[4] read/write	D[3] read/write	D[2] read/write	D[1] read/write	D[0] read/write
POH Fault Flag (POHFLT)							
Default Value			0000 0000 <sub>b</sub> = 00 <sub>h</sub>				
Serial Address			A2 <sub>h</sub> = 1010001 <sub>b</sub>				
Byte Address			253 = FD <sub>h</sub>				
<p>This register contains the least-significant eight bits of the 15-bit power-on hours measurement. The value in this register should be combined with the Power-on Hours, High Byte, POHh, to yield the complete result. If POHFLT is set, the power-on hour meter data has been corrupted and should be ignored. It is recommended that a two-byte (or more) sequential read operation be performed on POHh and POHl to insure coherency between the two registers. This register is non-volatile and will be maintained through power and reset cycles.</p>							

Data Ready Flags (DATARDY)							
D[7] <b>TRDY</b> read only	D[6] <b>VRDY</b> read only	D[5] <b>IRDY</b> read only	D[4] <b>TXRDY</b> read only	D[3] <b>RXRDY</b> read only	D[2] reserved	D[1] reserved	D[0] reserved
Default Value			0000 0000 <sub>b</sub> = 00 <sub>h</sub>				
Serial Address			A2 <sub>h</sub> = 1010001 <sub>b</sub>				
Byte Address			254 = FE <sub>h</sub>				
When the A/D conversion for a given parameter is completed and the results available to the host, the corresponding data ready flag will be set. The flag will be cleared when the host reads the corresponding result register.							

Bit(s)	Function	Operation
D[7]	<b>TRDY</b>	Temperature data ready flag 0 = old data; 1 = new data ready
D[6]	<b>VRDY</b>	Voltage data ready flag 0 = old data; 1 = new data ready
D[5]	<b>IRDY</b>	Bias current data ready flag 0 = old data; 1 = new data ready
D[4]	<b>TXRDY</b>	Transmit power data ready flag 0 = old data; 1 = new data ready
D[3]	<b>RXRDY</b>	Receive power data ready flag 0 = old data; 1 = new data ready
D[2:0]	Reserved	Reserved

USER Control Register (USRCTL)							
D[7] reserved	D[6] <b>PORM</b> read/write	D[5] <b>PORS</b> read only	D[4] <b>IE</b> read/write	D[3] <b>APCSEL</b> read/write	D[2] read/write	D[1] reserved	D[0] reserved
Default Value			0010 0000 <sub>b</sub> = 20 <sub>h</sub>				
Serial Address			A2 <sub>h</sub> = 1010001 <sub>b</sub>				
Byte Address			255 = FF <sub>h</sub>				
<p>This register provides for control of the nominal APC setpoint and management of interrupts by the end-user. APCSEL[1:0] select which of the APC setpoint registers, APCSET0, APCSET1, or APCSET2 are used as the nominal automatic power control setpoint.</p> <p>IE must be set for any interrupts to occur. If PORM is set, the power-on event will generate an interrupt and warm resets using RST will not generate a POR interrupt. When a power-on interrupt occurs, assuming PORM=1, PORS will be set. PORS will be cleared and the interrupt output de-asserted when USRCTL is read by the host. If IE is set while /INT is asserted, /INT will be de-asserted. The host must still clear the various status flags by reading them. If PORM is set following the setting of PORS, PORS will remain set, and /INT will not be de-asserted, until USRCTL is read by the host.</p> <p>PORM, IE, and APCSEL are non-volatile and will be maintained through power and reset cycles. A valid USER password is required for access to this register.</p>							

Bit	Function	Operation
D[7]	Reserved	Always write as zero; reads undefined.
D[6]	<b>PORM</b>	Power-on interrupt mask 1 = POR interrupts enabled; 0 = disabled; read/write; non-volatile.
D[5]	<b>PORS</b>	Power-on interrupt flag 1 = POR interrupt occurred; 0 = no POR interrupt; read-only.
D[4]	<b>IE</b>	Global interrupt enable 1 = enabled; 0 = disabled; read/write; non-volatile.
D[3:2]	<b>APCSEL</b>	Selects APC setpoint register 00 = APCSET0, 01 = APCSET1, 10 = APCSET2; 11 = reserved; read/write; non-volatile.
D[1:0]	Reserved	Always write as zero; reads undefined.

**OEM Configuration Register 0 (OEMCFG0)**

D[7] RST write only	D[6] ZONE read/write	D[5] DFLT read only	D[4] OE reserved	D[3] MODREF reserved	D[2] VAUX[2] read/write	D[1] VAUX[1] read/write	D[0] VAUX[0] read/write
Default Value			0000 0000 <sub>b</sub> = 00 <sub>h</sub>				
Serial Address			A6 <sub>h</sub> = 1010011 <sub>b</sub>				
Byte Address			00 = 00 <sub>h</sub>				
A write to OEMCFG0 will result in any A/D conversion in progress being aborted and the result discarded. The A/D will begin a new conversion sequence once the write operation is complete. All bits in OEMCFG0 are non-volatile except DFLT and RST. A valid OEM password is required for access to this register.							

Bit(s)		Function	Operation
D[7]	RST		0 = no action; 1 = reset; write-only.
D[6]	ZONE	Selects temperature zone.	0 = internal; 1 = external; non-volatile.
D[5]	DFLT	Diode fault flag.	1 = diode fault; 0 = OK.
D[4]	OE	Output enable for SHDN, V <sub>MOD</sub> , and V <sub>BIAS</sub> .	1 = enabled; 0 = hi-Z; non-volatile.
D[3]	MODREF	Selects whether V <sub>MOD</sub> is referenced to ground or V <sub>DD</sub> .	1 = V <sub>DD</sub> ; 0 = GND; non-volatile.
D[2:0]	VAUX[2:0]	Selects the voltage reported in VINh:VINl.	000 = V <sub>IN</sub> ; 001 = V <sub>DDA</sub> ; 010 = V <sub>BIAS</sub> ; 011 = V <sub>MOD</sub> ; 100 = APCDAC; 101 = MODDAC; 110 = FLTDAC; non-volatile

**OEM Configuration Register 1 (OEMCFG1)**

D[7] INV read/write	D[6] GAIN read/write	D[5] BIASREF read/write	D[4] RFB[2] read/write	D[3] RFB[1] read/write	D[2] RFB[0] read/write	D[1] SRCE read/write	D[0] SPOL read/write
Default Value			0000 0000 <sub>b</sub> = 00 <sub>h</sub>				
Serial Address			A6 <sub>h</sub> = 1010011 <sub>b</sub>				
Byte Address			1 = 01 <sub>h</sub>				
A write to OEMCFG1 will result in any A/D conversion in progress being aborted and the result discarded. The A/D will begin a new conversion sequence once the write operation is complete. All bits in OEMCFG1 are non-volatile and will be maintained through power and reset cycles. A valid OEM password is required for access to this register.							

Bit(s)		Function	Operation
D[7]	INV	Inverts the APC op-amp inputs. When set to "0" the BIAS DAC output is connected to the "+" input and FB is connected to the "-" input of the op amp. Set to "0" to use the ADC feedback loop.	0 = emitter follower (no inversion); 1 = common emitter (inverted); read/write; non-volatile.
D[6]	GAIN	Sets the feedback voltage range by changing the APCDAC output swing; $0-V_{REF}$ for optical feedback, $0-V_{REF}/4$ for electrical feedback.	1 = $V_{REF}/4$ full scale; 0 = $V_{REF}$ full scale; read/write ;non-volatile.
D[5]	BIASREF	Selects whether FB and VMPD are referenced to ground or $V_{DD}$ and selects feedback resistor termination voltage ( $V_{DDA}$ or $GNDA$ ).	1 = $V_{DD}$ ; 0 = GND; read/write; non-volatile.
D[4:2]	RFB[2:0]	Selects internal feedback resistance. (Resistors will be terminated to $V_{DDA}$ or $GNDA$ according to BIASREF.)	000 = $\infty$ ; 001 = $800\Omega$ , 010 = $1.6k\Omega$ , 011 = $3.2k\Omega$ , 100 = $6.4k\Omega$ , 101 = $12.8k\Omega$ , 110 = $25.6k\Omega$ , 111 = $51.2k\Omega$ ; read/write; non-volatile.
D[1]	SRCE	$V_{BIAS}$ source vs. sink drive.	1 = source (NPN), 0 = sink (PNP); read/write; non-volatile.
D[0]	SPOL	Polarity of shutdown output, SHDN, when active.	1 = high; 0 = low; read/write; non-volatile.

#### OEM Configuration Register 2 (OEMCFG2)

D[7]	D[6]	D[5]	D[4]	D[3]	D[2]	D[1]	D[0]
I2CADR[3]	I2CADR[2]	I2CADR[1]	I2CADR[0]	LUTOFF	LUTOFF	LUTOFF	LUTOFF
read/write	read/write	read/write	read/write	read/write	read/write	read/write	read/write
Default Value			1010 xxx <sub>b</sub> = xx <sub>h</sub> (slave address = 1010xxx <sub>b</sub> )				
Serial Address			A6h = 1010011 <sub>b</sub>				
Byte Address			2 = 02 <sub>h</sub>				
CAUTION: Changes to I2CADR take effect immediately! Any accesses following a write to I2CADR must be to the newly programmed serial bus address. A valid OEM password is required for access to this register. This register is non-volatile and will be maintained through power and reset cycles.							

Bit(s)		Function	Operation
D[7:4]	I2CADR[3:0]	Upper four MSBs of the serial bus slave address; writes take effect immediately.	Read/write; non-volatile.
D[3:0]	LUTOFF	LUT offset. LUTOFF is added to the result of the digital temperature sensor to derive the table index; writes take effect after reset.	Read/write; non-volatile.

**APC Setpoint 0 (APCSET0)**

Automatic power control setpoint (unsigned binary) used when APCSEL[1:0] = 00

D[7] read/write	D[6] read/write	D[5] read/write	D[4] read/write	D[3] read/write	D[2] read/write	D[1] read/write	D[0] read/write
Default Value			0000 0000 <sub>b</sub> = 00 <sub>h</sub>				
Serial Address			A6 <sub>h</sub> = 1010011 <sub>b</sub>				
Byte Address			3 = 03 <sub>h</sub>				

When A.P.C. is on, i.e., the APCCAL bit in OEMCAL0 is set, the value in APCSETx is added to the signed value taken from the A.P.C. look-up table and loaded into the VBIAS DAC. When A.P.C. is off, the value in APCSET is loaded directly into the VBIAS DAC, bypassing the look-up table entirely. In either case, the VBIAS DAC setting is reported in the VBIAS register. The APCCFG bits determine the DAC's response to higher or lower numeric values. A valid OEM password is required for access to this register. This register is non-volatile and will be maintained through power and reset cycles.

**APC Setpoint 1 (APCSET1)**

Automatic power control setpoint (unsigned binary) used when APCSEL[1:0] = 01

D[7] read/write	D[6] read/write	D[5] read/write	D[4] read/write	D[3] read/write	D[2] read/write	D[1] read/write	D[0] read/write
Default Value			0000 0000 <sub>b</sub> = 00 <sub>h</sub>				
Serial Address			A6 <sub>h</sub> = 1010011 <sub>b</sub>				
Byte Address			4 = 04 <sub>h</sub>				

When A.P.C. is on, i.e., the APCCAL bit in OEMCAL0 is set, the value in APCSETx is added to the signed value taken from the A.P.C. look-up table and loaded into the VBIAS DAC. When A.P.C. is off, the value in APCSET is loaded directly into the VBIAS DAC, bypassing the look-up table entirely. In either case, the VBIAS DAC setting is reported in the VBIAS register. The APCCFG bits determine the DAC's response to higher or lower numeric values. This register is non-volatile and will be maintained through power and reset cycles. A valid OEM password is required for access to this register.

**APC Setpoint 2 (APCSET2)**

Automatic power control setpoint (unsigned binary) used when APCSEL[1:0] = 10

D[7] read/write	D[6] read/write	D[5] read/write	D[4] read/write	D[3] read/write	D[2] read/write	D[1] read/write	D[0] read/write
Default Value			0000 0000 <sub>b</sub> = 00 <sub>h</sub>				
Serial Address			A6 <sub>h</sub> = 1010011 <sub>b</sub>				
Byte Address			5 = 05 <sub>h</sub>				

When A.P.C. is on, i.e., the APCCAL bit in OEMCAL0 is set, the value in APCSETx is added to the signed value taken from the A.P.C. look-up table and loaded into the VBIAS DAC. When A.P.C. is off, the value in APCSET is loaded directly into the VBIAS DAC, bypassing the look-up table entirely. In either case, the VBIAS DAC setting is reported in the VBIAS register. The APCCFG bits determine the DAC's response to higher or lower numeric values. This register is non-volatile and will be maintained through power and reset cycles. A valid OEM password is required for access to this register.

Modulation DAC Setting (MODSET)							
Nominal VMOD setpoint							
D[7] read/write	D[6] read/write	D[5] read/write	D[4] read/write	D[3] read/write	D[2] read/write	D[1] read/write	D[0] read/write
Default Value			0000 0000 <sub>b</sub> = 00 <sub>h</sub>				
Serial Address			A6 <sub>h</sub> = 1010011 <sub>b</sub>				
Byte Address			6 = 06 <sub>h</sub>				
When A.P.C. is on, the value corresponding to the current temperature is taken from the MODLUT look-up table, added to MODSET and loaded into the VMOD DAC. This register is non-volatile and will be maintained through power and reset cycles. A valid OEM password is required for access to this register.							

IBIAS Fault Threshold (IBFLT)							
Bias current fault threshold							
D[7] read/write	D[6] read/write	D[5] read/write	D[4] read/write	D[3] read/write	D[2] read/write	D[1] read/write	D[0] read/write
Default Value			0000 0000 <sub>b</sub> = 00 <sub>h</sub>				
Serial Address			A6 <sub>h</sub> = 1010011 <sub>b</sub>				
Byte Address			7 = 07 <sub>h</sub>				
A valid OEM password is required for access to this register. This register is non-volatile and will be maintained through power and reset cycles. A fault is generated if the bias current is higher than IBFLT value set in this register.							

Transmit Power Fault Threshold (TXFLT)							
D[7] read/write	D[6] read/write	D[5] read/write	D[4] read/write	D[3] read/write	D[2] read/write	D[1] read/write	D[0] read/write
Default Value			0000 0000 <sub>b</sub> = 00 <sub>h</sub>				
Serial Address			A6 <sub>h</sub> = 1010011 <sub>b</sub>				
Byte Address			8 = 08 <sub>h</sub>				
A valid OEM password is required for access to this register. This register is non-volatile and will be maintained through power and reset cycles. A fault is generated if the Transmit power is higher than TXFLT value set in this register.							

Loss-Of-Signal Threshold (LOSFLT)							
D[7] read/write	D[6] read/write	D[5] read/write	D[4] read/write	D[3] read/write	D[2] read/write	D[1] read/write	D[0] read/write
Default Value			0000 0000 <sub>b</sub> = 00 <sub>h</sub>				
Serial Address			A6 <sub>h</sub> = 1010011 <sub>b</sub>				
Byte Address			9 = 09 <sub>h</sub>				
A valid OEM password is required for access to this register. This register is non-volatile and will be maintained through power and reset cycles. A fault is generated if the received power is lower than LOSFLT value set in this register.							

Bit	Function	Operation
D[7:0]	Receive loss-of-signal threshold	Read/write; non-volatile.

**Fault Suppression Timer (FLTMMR)**

Fault suppression interval in increments of 0.5ms

D[7] read/write	D[6] read/write	D[5] read/write	D[4] read/write	D[3] read/write	D[2] read/write	D[1] read/write	D[0] read/write
Default Value			0000 0000 <sub>b</sub> = 00 <sub>h</sub>				
Serial Address			A6 <sub>h</sub> = 1010011 <sub>b</sub>				
Byte Address			10 = 0A <sub>h</sub>				
Saturation faults are suppressed for a time, $t_{FLTMMR}$ , following laser turn-on. This avoids nuisance tripping while the APC loop starts up. The length of this interval is ( $FLTMMR \times 0.5ms$ ), typical. A value of zero will result in no fault suppression. A valid OEM password is required for access to this register. This register is non-volatile and will be maintained through power and reset cycles.							

**Fault Mask (FLTMSK)**

D[7] OEMIM read/write	D[6] POHE read/write	D[5] reserved	D[4] reserved	D[3] SATMSK read/write	D[2] TXMSK read/write	D[1] IAMSK read/write	D[0] DFMSK read/write
Default Value			0000 0000 <sub>b</sub> = 00 <sub>h</sub>				
Serial Address			A6 <sub>h</sub> = 1010011 <sub>b</sub>				
Byte Address			11 = 0B <sub>h</sub>				
A valid OEM password is required for access to this register. This register is non-volatile and will be maintained through power and reset cycles.							

Bit		Function	Operation
D[7]	OEMIM	OEM interrupt mask bit	1 = masked; 0 = enabled; Read/write; non-volatile.
D[6]	POHE	OEM Power-on Hour Meter enable bit	1 = enabled; 0 = disabled; Read/write; non-volatile.
D[5:4]	D[5:4]	Reserved	Always write as zero; reads undefined.
D[3]	SATMSK	APC saturation fault mask bit	1 = masked; 0 = enabled; Read/write; non-volatile.
D[2]	TXMSK	High TX optical power fault mask bit	1 = masked; 0 = enabled; Read/write; non-volatile.
D[1]	IAMSK	Bias current high alarm mask bit	1 = masked; 0 = enabled; Read/write; non-volatile.
D[0]	DFMSK	Diode fault mask bit	1 = masked; 0 = enabled; Read/write; non-volatile.

**OEM Password Setting (OEMPWSET)**

D[7] read/write	D[6] read/write	D[5] read/write	D[4] read/write	D[3] read/write	D[2] read/write	D[1] read/write	D[0] read/write
Default Value			0000 0000 <sub>b</sub> = 00 <sub>h</sub>				
Serial Address			A6 <sub>h</sub> = 1010011 <sub>b</sub>				
Byte Address			12 - 15 = 0F <sub>h</sub> - 0F <sub>h</sub> ; 0C <sub>h</sub> = MSB				
This four-byte field is the password required for access to the OEM area of the MIC3000's memory and registers. The byte at address 250 (FA <sub>h</sub> ) is the most significant byte. This field is compared to the four-byte OEMPW field at serial address A2 <sub>h</sub> , byte 120 to 123. If the two fields match, access is allowed to the OEM areas of the MIC3000 non-volatile memory at serial addresses A4 <sub>h</sub> and A6 <sub>h</sub> . The OEM password may be set by writing the new value into OEMPWSET. The new password will not take effect until after a power-on reset occurs or a warm reset is performed using the RST bit in OEMCFG0. This allows the new password to be verified before it takes effect. These registers are non-volatile and will be maintained through power and reset cycles. A valid OEM password is required for access to this register.							



BYTE	Weight
3	OEM Password, Most Significant Byte
2	OEM Password, 2nd Most Significant Byte
1	OEM Password, 2nd Least Significant Byte
0	OEM Password, Least Significant Byte

OEM Calibration 0 (OEMCAL0)							
D[7] reserved	D[6] <b>FLTDIS</b> read/write	D[5] <b>FSPIN</b> read/write	D[4] <b>WRINH</b> read/write	D[3] <b>APCCAL</b> read/write	D[2] <b>FRCINT</b> read/write	D[1] <b>FRCTXF</b> read/write	D[0] <b>FRCLOS</b> read/write
Default Value			0000 0000 <sub>b</sub> = 00 <sub>h</sub>				
Serial Address			A6 <sub>h</sub> = 1010011 <sub>b</sub>				
Byte Address			16 = 10 <sub>h</sub>				
A valid OEM password is required for access to this register.							

Bit	Function	Operation
D[7]	Reserved	Always write as zero; reads undefined.
D[6]	<b>FLTDIS</b> Fault comparator disable; inhibits output of fault comparators when set.	0 = faults enabled; 1 = disabled; Read/write.
D[5]	<b>FSPIN</b> Fault comparator "spin-on-channel" mode select; do not enable ADC and FC spin-on-channel modes simultaneously.	0 = normal operation; 1 = spin on channel; Read/write.
D[4]	<b>WRINH</b> Inhibit NVRAM write cycles.	0 = normal operation; 1 = inhibit writes; Read/write.
D[3]	<b>APCCAL</b> Selects APC calibration mode - DACs may be controlled directly.	0 = normal mode; 1 = calibration mode; Read/write.
D[2]	<b>FRCINT</b> Forces the assertion of /INT	0 = normal operation; 1 = asserted; Read/write.
D[1]	<b>FRCTXF</b> Forces the assertion of TXFAULT	0 = normal operation; 1 = asserted; Read/write.
D[0]	<b>FRCLOS</b> Forces the assertion of RXLOS	0 = normal operation; 1 = asserted; Read/write.

OEM Calibration 1 (OEMCAL1)							
D[7] reserved	D[6] <b>ADSTP</b> read/write	D[5] <b>ADIDL</b> read/write	D[4] <b>1SHOT</b> read/write	D[3] <b>ADSPIN</b> read/write	D[2] <b>SPIN[2]</b> read/write	D[1] <b>SPIN[1]</b> read/write	D[0] <b>SPIN[0]</b> read/write
Default Value			0000 0000 <sub>b</sub> = 00 <sub>h</sub>				
Serial Address			A6 <sub>h</sub> = 1010011 <sub>b</sub>				
Byte Address			17 = 11 <sub>h</sub>				
A valid OEM password is required for access to this register.							

Bit		Function	Operation
D[7]		Reserved	Always write as zero; reads undefined.
D[6]	ADSTP	Stop ADC Halts the analog to digital converter	0 = normal operation; 1 = stopped; Read/write.
D[5]	ADIDL	ADC idle flag	0 = busy; 1 = idle; Read/write.
D[4]	1SHOT	Triggers one-shot A/D conversion cycle	0 = normal operation; 1 = one-shot; Read/write.
D[3]	ADSPIN	Selects ADC spin-on-channel mode; do not enable ADC and FC spin-on-channel modes simultaneously	0 = normal operation; 1 = spin-on-channel; Read/write.
D[2], D[1], D[0]	SPIN[2:0]	ADC and fault comparator (FC) channel select for spin-on-channel mode; do not enable ADC and FC spin-on-channel modes simultaneously	ADC: 000 = temperature; 001 = voltage; 010 = VILD; 011 = VMPD; 100 = VRX; FC: 001 = VILD; 001 = VMPD; 010 = VRX; Read/write.

### Look-Up Table Index (LUTINDX)

Look-up table index as determined by temperature compensation logic

D[7] read/write	D[6] read/write	D[5] read/write	D[4] read/write	D[3] read/write	D[2] read/write	D[1] read/write	D[0] read/write
Default Value			0000 0000 <sub>b</sub> = 00 <sub>h</sub>				
Serial Address			A6 <sub>h</sub> = 1010011 <sub>b</sub>				
Byte Address			18 = 12 <sub>h</sub>				

The look-up table index is derived from the current temperature measurement and LUTOFF as follows:

$$\text{INDEX} = \left( \frac{T_{\text{AVG}}(\mu)}{2} \right) + \text{LUTOFF} \text{ where } T_{\text{AVG}}(n) \text{ is the current average temperature. This register allows the current table}$$

index to be read by the host. The table base address must be added to LUTINDX to form a complete table index in physical memory. A valid OEM password is required for access to this register. Otherwise, reads are undefined.

### BIAS DAC Setting (APCDAC)

Current VBIAS setting

D[7] read only	D[6] read only	D[5] read only	D[4] read only	D[3] read only	D[2] read only	D[1] read only	D[0] read only
Default Value			0000 0000 <sub>b</sub> = 00 <sub>h</sub>				
Serial Address			A6 <sub>h</sub> = 1010011 <sub>b</sub>				
Byte Address			20 = 14 <sub>h</sub>				

This register reflects (reads back) the value set in the APC register (APCSET0, APCSET1, or APCSET2 whichever is selected). A valid OEM password is required for access to this register.

### Modulation DAC Setting (MODDAC)

Current VMOD setting

D[7] read only	D[6] read only	D[5] read only	D[4] read only	D[3] read only	D[2] read only	D[1] read only	D[0] read only
Default Value			0000 0000 <sub>b</sub> = 00 <sub>h</sub>				
Serial Address			A6 <sub>h</sub> = 1010011 <sub>b</sub>				
Byte Address			21 = 15 <sub>h</sub>				

This register reflects (reads back) the value set in the MODSET register. A valid OEM password is required for access to this register.

OEM Readback Register (OEMRD)							
D[7]	D[6]	D[5]	D[4]	D[3]	D[2]	D[1]	D[0]
reserved	reserved	reserved	<b>INT</b> read only	<b>APCSAT</b> read only	<b>IBFLT</b> read only	<b>TXFLT</b> read only	<b>RSOUT</b> read only
Default Value			0000 0000 <sub>b</sub> = 00 <sub>h</sub>				
Serial Address			A6 <sub>h</sub> = 1010011 <sub>b</sub>				
Byte Address			22 = 16 <sub>h</sub>				
This register reflects (reads back) the status of the bits corresponding to the parameters defined below. A valid OEM password is required for access to this register. Otherwise, reads are undefined and writes are ignored.							

Bit	Function	Operation
D[7:5]	Reserved	Always write as zero; reads undefined.
D[4]	<b>INT</b>	Mirrors state of /INT but active-high; not state of physical pin!
D[3]	<b>APCSAT</b>	APC saturation fault comparator output state
D[2]	<b>IBFLT</b>	State of IBIAS over-current fault comparator output
D[1]	<b>TXFLT</b>	State of transmit power fault comparator output
D[0]	<b>RSOUT</b>	State of the rate select output pin, RSOUT

Power-On Hour Meter Data (POHDATA)							
D[7]	D[6]	D[5]	D[4]	D[3]	D[2]	D[1]	D[0]
read/write	read/write	read/write	read/write	read/write	read/write	read/write	read/write
Default Value			0000 0000 <sub>b</sub> = 00 <sub>h</sub>				
Serial Address			A6 <sub>h</sub> = 1010011 <sub>b</sub>				
Byte Address			32-39 = 20 <sub>h</sub> - 27 <sub>h</sub>				
These registers are used for backing up the POH result during power cycles. At power-up, the POH meter selects the larger of the two values as the initial count. Incremental results are stored in alternate register pairs. The power-on hour meter may be reset or preset by writing to these registers. These registers are non-volatile and will be maintained through power and reset cycles. A valid OEM password is required for access to these registers.							

BYTE	Weight
3	POHA, high-byte
2	POHA, low-byte
1	POHB, high-byte
0	POHB, low-byte

OEM Scratchpad Registers (SCRATCHn)	
Default Value	0000 0000 <sub>b</sub> = 00 <sub>h</sub>
Serial Address	A6 <sub>h</sub> = 1010011 <sub>b</sub>
Byte Address	SCRATCH0: 126 = 7E <sub>h</sub> SCRATCH1: 127 = 7F <sub>h</sub> SCRATCH2: 128 = 80 <sub>h</sub> ..... SCRATCH127: 253 = FD <sub>h</sub>

The scratchpad registers are general-purpose non-volatile memory locations. They can be freely read from and written to any time the MIC3000 is in OEM mode.

**Manufacturer ID Register (MFG\_ID)**Identifies Micrel as the manufacturer of the device. Always returns 2A<sub>h</sub>

D[7] read only	D[6] read only	D[5] read only	D[4] read only	D[3] read only	D[2] read only	D[1] read only	D[0] read only
0	0	1	0	1	0	1	0
Default Value			0010 1010 <sub>b</sub> = 2A <sub>h</sub>				
Serial Address			A6 <sub>h</sub> = 1010011 <sub>b</sub>				
Byte Address			254 = FE <sub>h</sub>				
The value in this register, in combination with the DEV_ID register, serve to identify the MIC3000 and its revision number to software. This register is read-only.							

Bit(s)	Function	Operation
D[7:0]	Identifies Micrel as the manufacturer of the device. Always returns 2A <sub>h</sub> .	Read only. Always returns A <sub>h</sub>

**Device ID Register (DEV\_ID)**

D[7] read only	D[6] read only	D[5] read only	D[4] read only	D[3] read only	D[2] read only	D[1] read only	D[0] read only
MIC3000 DEVICE ID always reads as zero "0" at D [4-7]				DIE REVISION			
Default Value				0000 xxxx <sub>b</sub> = 0x <sub>h</sub>			
Serial Address				A6 <sub>h</sub> = 1010011 <sub>b</sub>			
Byte Address				255 = FF <sub>h</sub>			
The value in this register, in combination with the MFG_ID register, serve to identify the MIC3000 and its revision number to software. This register is read-only.							

# Applications Information

## Controlling Laser Diode Bias

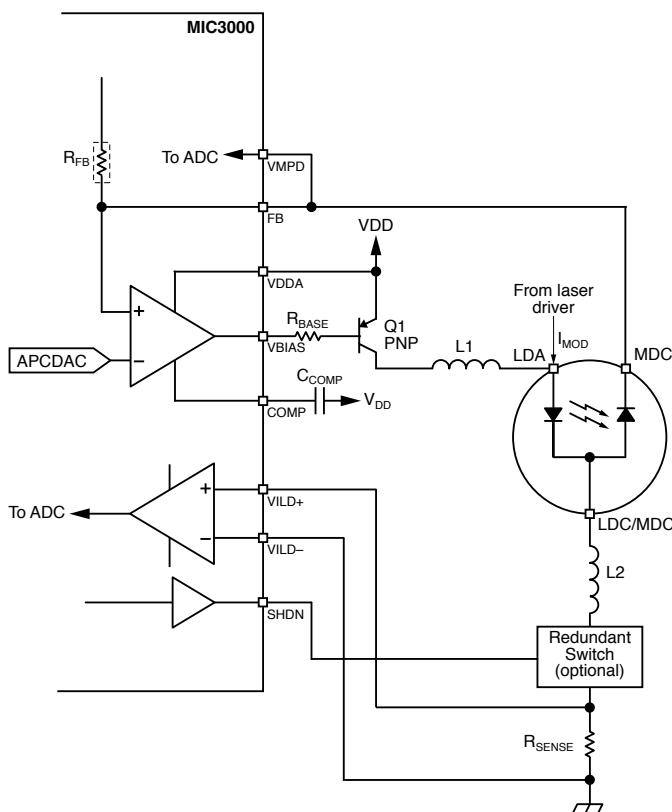


Figure 25. Example APC Circuit for Common-Cathode TOSA

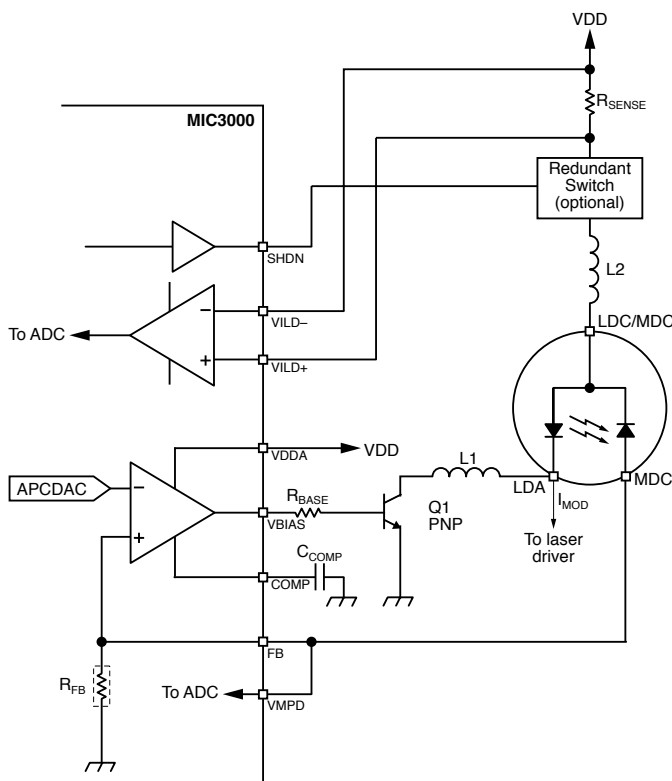


Figure 26. Example APC Circuit for Common Anode TOSA

## Choosing $C_{COMP}$

The APC loop is compensated by a capacitor,  $C_{COMP}$ , connected from COMP to either  $V_{DDA}$  or GNDA. This capacitor adjusts the slew rate and bandwidth of the loop as follows:

$$\text{SlewRate} = dV / dt = \frac{I_{SLEW}}{C_{COMP}}$$

$$\text{BW} = \frac{G_M}{2\pi C_{COMP}}$$

where:

$$I_{SLEW} = 64\mu\text{A},$$

$$G_M = 125\mu\text{Mho}$$

these relationships are shown graphically in Figure 27 and Figure 28.

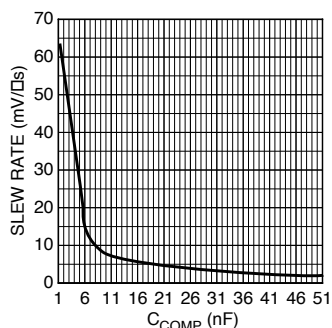


Figure 27. Slew Rate vs.  $C_{COMP}$  Value

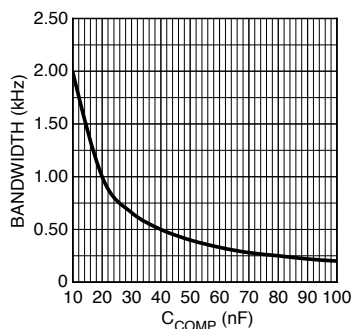


Figure 28. Open Loop Unity-Gain Bandwidth vs.  $C_{COMP}$

The loop response should be tailored to the data rate, encoding format and maximum run-lengths, and required laser turn-on time. Higher data rates and/or shorter maximum run lengths and/or faster turn-on times call for smaller capacitors. Lower data rates and/or longer maximum run lengths and/or slower turn-on times call for larger capacitors. In order to meet the SFP/GBIC turn-on requirement of 1ms, for example, do not employ a capacitor larger than 20nF. Low ESR capacitors such as ceramics will give the best results. Excessive ESR will reduce the effectiveness of  $C_{COMP}$ . The capacitor's voltage rating must exceed  $V_{DDA}$ . Some typical values are shown in Table 20.

Application	$C_{COMP}$ (nF)
8b/10b encoding, $\geq 1\text{Gbps}$ , $t_{ON} \leq 1\text{ms}$	10
SONET (62 <sub>b</sub> /64 <sub>b</sub> encoding), $\geq 1\text{Gbps}$	22
$\geq 155\text{Mbps}$ , $t_{ON} \leq 1\text{ms}$	22
$\geq 155\text{Mbps}$	100

Table 20. Typical Values for  $C_{COMP}$

While there is no theoretical upper limit on the size of  $C_{COMP}$ , it is desirable for the loop to be able to track the changes resulting from periodic temperature compensation. The typical temperature compensation update period is 1.6s. Therefore, a maximum size of 1 $\mu\text{F}$  is recommended. If laser turn-on time is not a factor, a value between 100nF and 1 $\mu\text{F}$  can be used for virtually any typical application. The tradeoff is that higher value capacitors have a larger physical size and cost.

In order to maximize the power supply rejection ratio (PSRR),  $C_{COMP}$  should be returned to GNDA when the  $V_{BIAS}$  output is sourcing current, e.g., driving an NPN transistor (SRCE bit = 1).  $C_{COMP}$  should be returned to  $V_{DDA}$  when the  $V_{BIAS}$  output is sinking current, e.g., driving a PNP transistor (SRCE bit = 0).

### Measuring Laser Bias Current

VILD+ and VILD- form a pair of pseudo-differential A/D inputs for measuring laser diode bias current via a sense resistor. The signal applied to these inputs is converted to a single-ended, ground-referenced signal for input into the ADC and bias current fault comparator. These inputs have limited common-mode voltage range. The full-scale differential input range is  $V_{REF}/4$  or about 300mV.

Figure 25 and Figure 26 illustrate the typical implementation of this function. Note that VILD- is always connected to the circuit's reference potential:  $V_{DD}$  in the case of a common-anode transmitter optical sub-assembly (TOSA) and GND in the case of a common-cathode TOSA. Note that the monitor photodiode current will also flow in the sense resistor. This will result in a small offset in the measured bias current. The APC function will hold this term constant, so it can be corrected for in the external calibration constants. The sensing resistor could also be connected between  $V_{DD}$  and the emitter of Q1 on Figure 25 or between the emitter of Q1 and GND on Figure 26.

### Interfacing To Laser Drivers

In order for the MIC3000 to control the modulation current of the laser diode, an interface circuit may be required depending on the method used by the driver to set its modulation current level. Generally, most laser diode driver ICs use one of three methods:

- A current,  $I_{SET}$ , is sourced into a pin on the driver IC. The modulation current delivered by the driver is then some fixed multiple of  $I_{SET}$ . The SY88912 is an example of this type of driver. A simple circuit can be used to create a current source controlled by the  $V_{MOD}$  outputs. The circuit is based on an external bipolar transistor and a current sensing resistor.

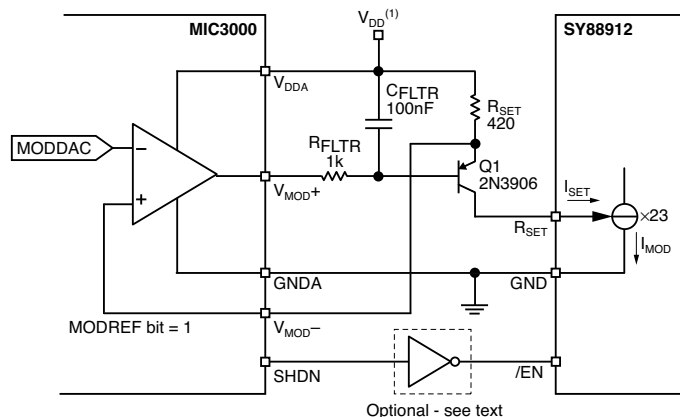
- b) A current,  $I_{SET}$ , is drawn out of a pin on the driver IC. The modulation current delivered by the driver is then some fixed multiple of  $I_{SET}$ . A simple circuit can be used to create a current source controlled by the  $V_{MOD}$  outputs. The circuit is based on an external bipolar transistor and a current sensing resistor.
- c) A voltage,  $V_{SET}$ , is applied to a pin on the driver IC. This voltage may be referenced to GND or  $V_{DD}$ . The MIC3000's  $V_{MOD+}$  output can supply this voltage directly. If a voltage swing wider than  $V_{REF}$  is needed, gain can be applied with a pair of external resistors. The SY88932, SY88982, and SY89307 are examples of this type of driver.

**SY88912 3.3V 3.2Gbps SONET/SDH Laser Driver**

The modulation level of the SY88912 driver is controlled by the current sourced into the RSET pin (Type (a) above). The circuit shown in Figure 29 allows the MIC3000's  $V_{MOD}$  outputs to control the SY88912's modulation current from its minimum value, 5mA, to its maximum value, 60mA. The circuit operates as a DAC-controlled current source. The current source is formed by the  $V_{MOD}$  buffer amplifier, external transistor, and current sense resistor. The op-amp acts to force the voltage drop across RSET to be equal to the DAC output voltage.

The current,  $I_{SET}$ , through  $R_{SET}$  is therefore regulated as  $I_{SET} = V_{MOD+}/R_{SET}$  (In this case, the DAC output and therefore the op-amp output, are referenced to  $V_{DDA}$ .) The SY88912's current gain,  $I_{MOD}/I_{SET}$ , is 23. A modulation current level of 60mA requires  $I_{SET} = 60mA/23 = 2.61mA$ ; a modulation current level of 5mA requires  $I_{SET} = 5mA/23 = 0.217mA$ .  $R_{FLTR}$  and  $C_{FLTR}$  are optional and act to eliminate any noise that might be present on  $V_{DDA}$  or  $V_{MOD}$ . The values shown give a 100µs time constant. Note that the time constant is present whenever the laser is turned on or turned off. This must be taken into account when designing to system specifications such as the SFP MSA's  $t_{ON}$  and  $t_{OFF}$  requirements. The values of  $R_{FLTR}$  and/or  $C_{FLTR}$  may need to be adjusted accordingly. The impact of the filter time constant on the turn off time can be eliminated by using the MIC3000's SHDN signal to drive the SY88912's enable input, /EN.

The use of the SHDN signal is completely optional. The main benefit to using SHDN, however, is that it shuts down the driver very quickly and irrespective of the values of  $R_{FLTR}$  and  $C_{FLTR}$ . The values of  $R_{FLTR}$  and  $C_{FLTR}$  can therefore be increased, enhancing their effect without incurring any turn-off time penalty. Depending on the polarity chosen for SHDN using the SPOL bit, an inversion may be required between the MIC3000's SHDN output and the driver's /EN input. (The SHDN output may also be used to drive a redundant safety switch and the same polarity may not be appropriate for both functions.)



Notes:  
1. Bypass capacitors not shown for clarity.

**Figure 29. Controlling the SY88912 Modulation Current**

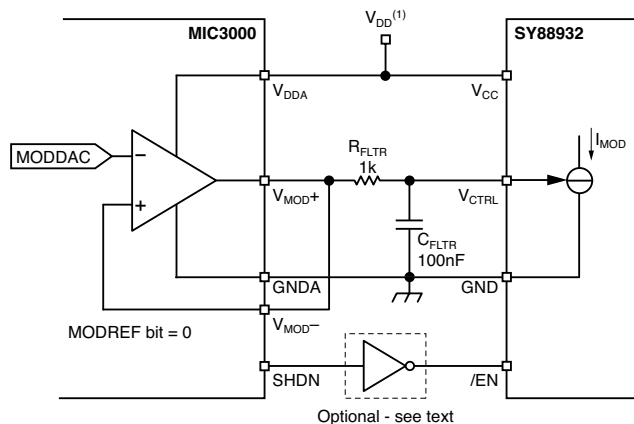
For the circuit of Figure 29, the modulation current control range and corresponding DAC values are shown in Table 21 below.

DAC VALUE	$V_{DDA} - V_{MOD}$	$I_{SET}$	$I_{MOD}$
0	0V	0mA	0mA
19	0.091V	0.216mA	4.98mA
127	0.61V	1.45mA	33.4mA
255	1.22V	2.91mA	66.8mA

**Table 21. Control Range of SY88912 Modulation Control Circuit**

**SY88932 3.3V 3.2Gbps SONET/SDH Laser Driver**

The modulation level of the SY88932 driver is controlled by the voltage applied to the VCTRL pin (Type (c) above). The circuit shown in Figure 30 allows the MIC3000's  $V_{MOD}$  output to control the SY88932's modulation current. The circuit operates as a DAC-controlled voltage source. VCTRL is simply the DAC output voltage. See section above on SY88912 for RFLTR, CFLTR and SHDN.

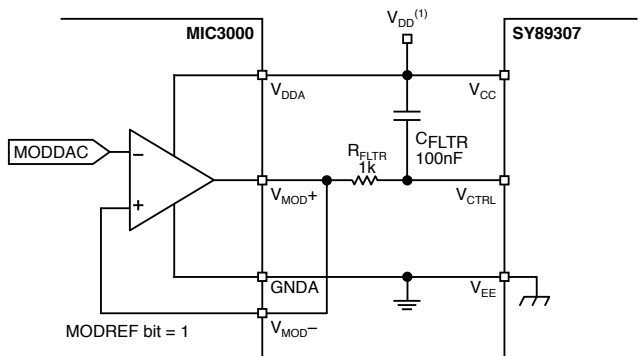


Note:  
1. Bypass capacitors not shown for clarity.

**Figure 30. Controlling the SY88932 Modulation Current**

### SY89307 5.0V/ 3.3V 2.5Gbps VCSEL Driver

The modulation level of the SY89307 driver is controlled by the voltage applied to the VCTRL pin (Type (c) above). The circuit shown in Figure 31 allows the MIC3000's  $V_{MOD}$  output to control the SY89307's output swing. VCTRL is simply the DAC output voltage. The circuit operates as a DAC-controlled voltage source. See section above on SY88912 for  $R_{FLTR}$ ,  $C_{FLTR}$ .



Note:  
1. Bypass capacitors not shown for clarity.

**Figure 31. Controlling the SY89307 Modulation Current**

### Laser Drivers Programmed via a Sink Current

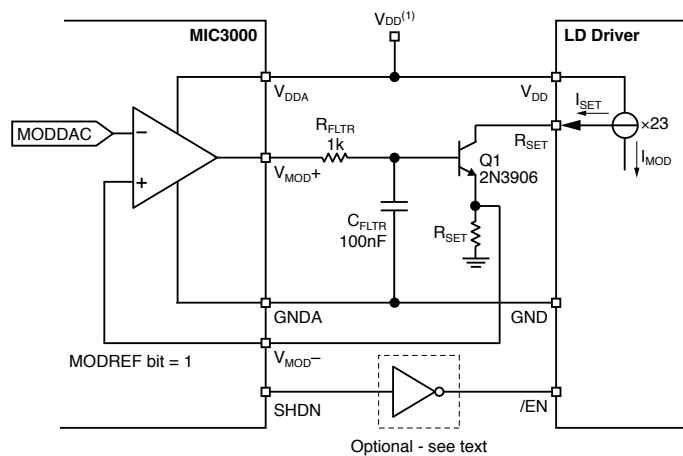
The modulation level of some laser diode drivers is controlled by a current sourced out of the RSET pin (Type (b) above). The circuit shown in Figure 32 allows the MIC3000's  $V_{MOD}$  outputs to control the set current,  $I_{SET}$ . The circuit operates as a DAC-controlled current sink. The current sink is formed by the  $V_{MOD}$  buffer amplifier, external transistor, and current sense resistor. The op-amp acts to force the voltage drop across RSET to be equal to the DAC output voltage.

The current through  $R_{SET}$  is therefore regulated as  $I_{RSET} = V_{MOD+}/R_{SET}$ .  $I_{SET}$  is given by the equation:

$$I_{SET} = \left( \frac{V_{MOD+}}{R_{SET}} \right) \left( \frac{\beta}{1 + \beta} \right) \quad (8)$$

where  $\beta$  is the DC gain of Q1

The higher the gain of the transistor, the closer  $I_{SET}$  will be to the current in  $R_{SET}$ .  $R_{FLTR}$  and  $C_{FLTR}$  act to eliminate any noise that might be present on  $V_{DDA}$  or  $V_{MOD}$ . The values shown give a 100 $\mu$ s time constant. See section above on SY88912 for  $R_{FLTR}$ ,  $C_{FLTR}$  and SHDN.



Notes:  
1. Bypass capacitors not shown for clarity

**Figure 32. Controlling the Modulation Current via a Sink Current**

### Drivers With Monitor Outputs

Laser diode driver ICs have been introduced with monitor outputs. These outputs provide ground-referred signals that mirror critical signals like laser bias current, modulation current or monitor photodiode current, an analog of transmitted power. Generally, these outputs source a current into an external resistor to generate a ground referenced voltage. Using these outputs with the MIC3000 is straightforward since the MIC3000's VILD+/- and VMPD inputs are polarity programmable,

### Shutdown Output

The shutdown output, SHDN, can be used in two ways: as an enable or on/off control for the laser driver IC, and/or to control a redundant switch in the laser current path. The redundant switch provides a means for the MIC3000 to shut off the laser current even if the bias transistor or modulator is damaged or fails. SHDN is active any time the MIC3000 shuts down the laser, i.e., if the TXDISABLE function is asserted in hardware or software, or if the fault detection circuits trigger laser shutdown. The shutdown output, SHDN, is essentially a logic output with programmable polarity. The programmable polarity allows SHDN to drive either high-side or low-side switches or active-high or active-low enable inputs without the need for external inversion circuits. If an active-low and an active-high shutdown signal are required, an external inverter will be necessary. Examples of redundant switch circuits are shown in Figure 33.



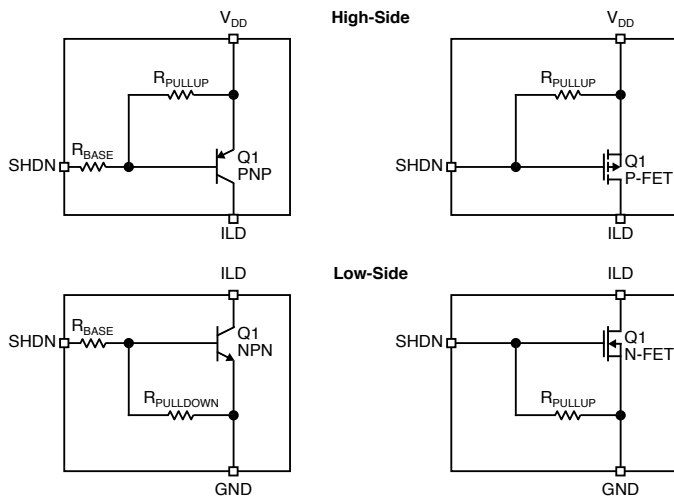


Figure 33. Redundant Switch Circuits

Temperature Sensing

The MIC3000 can measure and report its own internal temperature or the temperature of a remote PN junction or “thermal diode”. In either case it is important to note that any board-mounted semiconductor device tends to track the ground plane temperature around it. The dominant thermal path to the sensor is often the ground pin. The ground pin usually connects to the leadframe paddle on which the die is mounted. Typical semiconductor packages, being non-conductive plastic, insulate the device from the ambient air.

The advantage to using a remote sensor is that the temperature may be sensed at a specific location, such as in the proximity of the laser diode, or away from any heat sources where it will more closely track the transceiver’s case temperature. The measured temperature is reported via the digital diagnostics registers and is used to index the temperature compensation tables. (Note: SFF-8472 does not specify the meaning of the reported temperature information or the location from which it is taken. This information is to be specified in the transceiver vendor’s datasheet.)

Remote Sensing

For remote temperature sensing using the XPN pin, most small-signal PNP transistors with characteristics similar to the JEDEC 2N3906 will perform well as thermal diodes. Table 22 lists several examples of such parts that Micrel has tested for use with the MIC3000. Other transistors equivalent to these should also work well.

Vendor	Part Number	Package
Fairchild Semiconductor	MMBT3906	SOT-23
On Semiconductor	MMBT3906L	SOT-23
Infineon Technologies	SMBT3906/MMBT3906	SOT-23
Samsung Semiconductor	KST3906-TF	SOT-23

Table 22. Transistors Suitable for Use as Remote Diodes

Minimizing Errors

Self-Heating

One concern when measuring temperature is to avoid errors induced by self-heating. Self-heating is caused by power dissipation within the MIC3000. It is directly proportional to the internal power dissipation and the junction-to-ambient thermal resistance,  $\theta_{JA}$ . The dissipation in the MIC3000 must be calculated and reduced to a temperature offset. The power dissipation,  $P_{DISS}$ , includes the effect of quiescent current and all currents flowing into or out of any signal pins, especially  $V_{BIAS}$  and  $V_{MOD}$ . The temperature rise caused by self-heating is given by:

$$\Delta t = P_{DISS} \times \theta_{JA} \tag{9}$$

$\theta_{JA}$  is given in the “Operating Ratings” section above as 43°C/W. The possible contributors to self-heating are listed in Table 23.

The numbers given in Table 23 suggest that the power dissipation in a typical application will be no more than a few tens of milliwatts, leading to self-heating on the order of 1°C.

Description	Magnitude	Notes
Quiescent power	$I_{DD} \times V_{DD}$	Typically $V_{DD} = 3.3V$ , $I_{DD} = 2.7mA \rightarrow 3.3V \times 2.7mA = 8.91mW$ .
SHDN current	$I_{OL} \times V_{OL}$	Negligible if MOSFET is used as shutdown device.
TXFAULT current	$I_{OL} \times V_{OL}$	Worst case is $V_{DD}^2/R_{PULLUP}$ ; $R_{PULLUP}$ is 4.7kΩ min. per SFP MSA $\rightarrow 3.3V^2/4.7k\Omega = 2.32mW$ .
$V_{BIAS}$ current	$V_{BIAS} \times I_{VBIAS}$ or $(V_{DD} - V_{BIAS}) \times I_{VBIAS}$	Worst-case is $V_{REF} \times 10mA = 1.22V \times 10mA = 12.3mW$ .
$V_{MOD}$ current	$V_{MOD} \times I_{VMOD}$ or $(V_{DD} - V_{MOD}) \times I_{VMOD}$	Worst-case is $V_{REF} \times 10mA = 1.22V \times 10mA = 12.3mW$ .
RSOUT current	$I_{OL} \times V_{OL}$	Only for rate-agile applications using RSIN/RSOUT.
DATA current	$I_{OL} \times V_{OL} \times \text{duty\_cycle}$	May be negligible; Depends on bus speed, pullup current, and bus activity.
RXLOS current	$I_{OL} \times V_{OL}$	Worst case is $V_{DD}^2/R_{PULLUP}$ ; $R_{PULLUP}$ is 4.7KΩ min. per SFP MSA $\rightarrow 3.3V^2/4.7k\Omega = 2.32mW$ .

Table 23. Contributors to Self-Heating

In any application, the best and often easiest approach is to measure performance in the final application environment. This is especially true when dealing with systems for which some temperature data may be poorly defined or unobtainable except by empirical means. If desired, the external calibration constants may be used to correct the temperature readings.

### Series Resistance with External Temperature Sensor

The operation of the MIC3000 depends upon sensing the VCB-E of a diode-connected PNP transistor (“diode”) at two different current levels. For remote temperature measurements, this is done using an external diode connected between XPN and ground. Since this technique relies upon measuring the relatively small voltage difference resulting from two levels of current through the external diode, any resistance in series with the external diode will cause an error in the temperature reading from the MIC3000. A good rule of thumb is this: for each ohm in series with the external transistor, there will be a 0.9°C error in the MIC3000’s temperature measurement. It is not difficult to keep the series resistance well below an ohm (typically <0.1), so this will rarely be an issue.

### XPN Filter Capacitor Selection

It is desirable to employ a filter capacitor between XPN and GNDA. The use of this capacitor is especially recommended in environments with a lot of high frequency noise (such as digital switching noise), or if long wires are used to connect to the remote diode. The maximum recommended total capacitance from the XPN pin-to-GND is 2000pF. The recommended typical capacitor is a 1000pF NPO or C0G ceramic capacitor with a 10% tolerance. If the remote diode is to be at a distance of more than 6" to 12" from the MIC3000, using twisted pair wiring or shielded microphone cable for the connections to the diode can significantly reduce noise pickup. If using a long run of shielded cable, remember to subtract the cable’s conductor-to-shield capacitance from the 2000pF maximum total capacitance.

### XPN Layout Considerations

The following guidelines should be kept in mind when designing and laying out circuits using the MIC3000 and a remote thermal diode:

1. Place the MIC3000 as close to the remote diode as possible, while taking care to avoid severe noise sources such as high speed data busses, and the like.
2. Since any conductance from the various voltages on the PC board and the XPN line can induce errors, it is good practice to guard the remote diode’s emitter trace with a pair of ground traces. These ground traces should be returned to the MIC3000’s own ground pin. They should not be grounded at any other part of their run. However, it is highly desirable to use these guard traces to carry the diode’s own ground return back to the ground pin of the MIC3000, thereby providing a Kelvin connection for the base of the diode.

3. When using the MIC3000 to sense the temperature of a processor or other device which has an integral thermal diode, connect the emitter and base of the remote sensor to the MIC3000 using the guard traces and Kelvin return, shown in Figure 34. The collector of the remote diode is typically inaccessible to the user on these devices.
4. Due to the small currents involved in the measurement of the remote diode’s  $\Delta V_{BE}$ , it is important to adequately clean the PC board after soldering to prevent current leakage. This phenomenon will most likely show up as an issue in situations where water-soluble soldering fluxes are used.
5. In general, wider traces for the ground and T1 lines will help reduce susceptibility to radiated noise (wider traces are less inductive). Use trace widths and spacing of 10 mils wherever possible and provide a ground plane under the MIC3000 and under the connections from the MIC3000 to the remote diode. This will help guard against stray noise pickup.

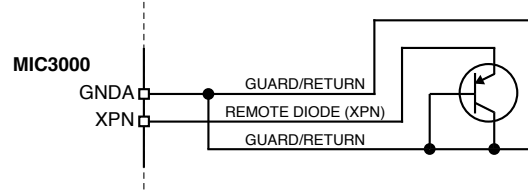


Figure 34. Guard Traces and Kelvin Return for Remote Thermal Diode

### Layout Considerations

#### Small Form-Factor Pluggable (SFP) Transceivers

The pinout of the MIC3000 digital control and status signals was optimized for use in small form-factor pluggable (SFP MSP) optical transceivers. If the MIC3000 is mounted on the bottom of the PC board with the correct rotation, the control and status I/O can be routed to the host connector without changing the order. This is shown in Figure 35 below.

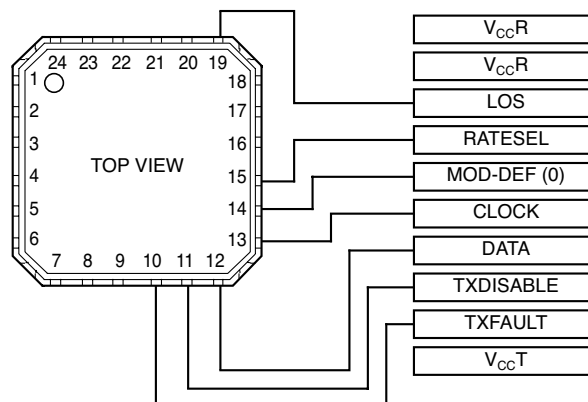
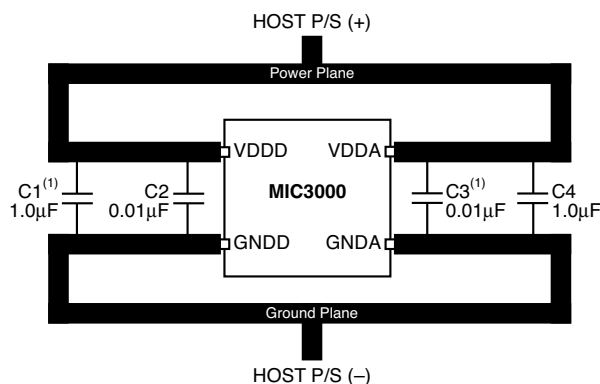


Figure 35. Typical SFP Control and Status I/O Signal Routing (not to scale)

## Power Supplies

The MIC3000 has separate power supply and ground pins for both the analog and digital supplies. This helps prevent digital switching noise from corrupting the analog functions. The individual supply and ground pins are not isolated from one another inside the IC. Separate analog and digital power and ground planes are NOT required on the PCB. Having one of each plane (power and ground) is certainly good practice, however. If dedicated power and ground layers are not available, care should be taken to route the digital supply and return currents back to the supply separate from the analog supply connections. A schematic of this approach is shown in Figure 36. Each supply should be bypassed as close to the IC as possible with  $0.01\mu\text{F}$  capacitor (Low ESR capacitors such as ceramics are preferred.) as shown. This assumes that bulk capacitance is already present upstream. If no other filter capacitance is present nearby, a  $1\mu\text{F}$  filter capacitor should be added in parallel to the  $0.01\mu\text{F}$  capacitor.



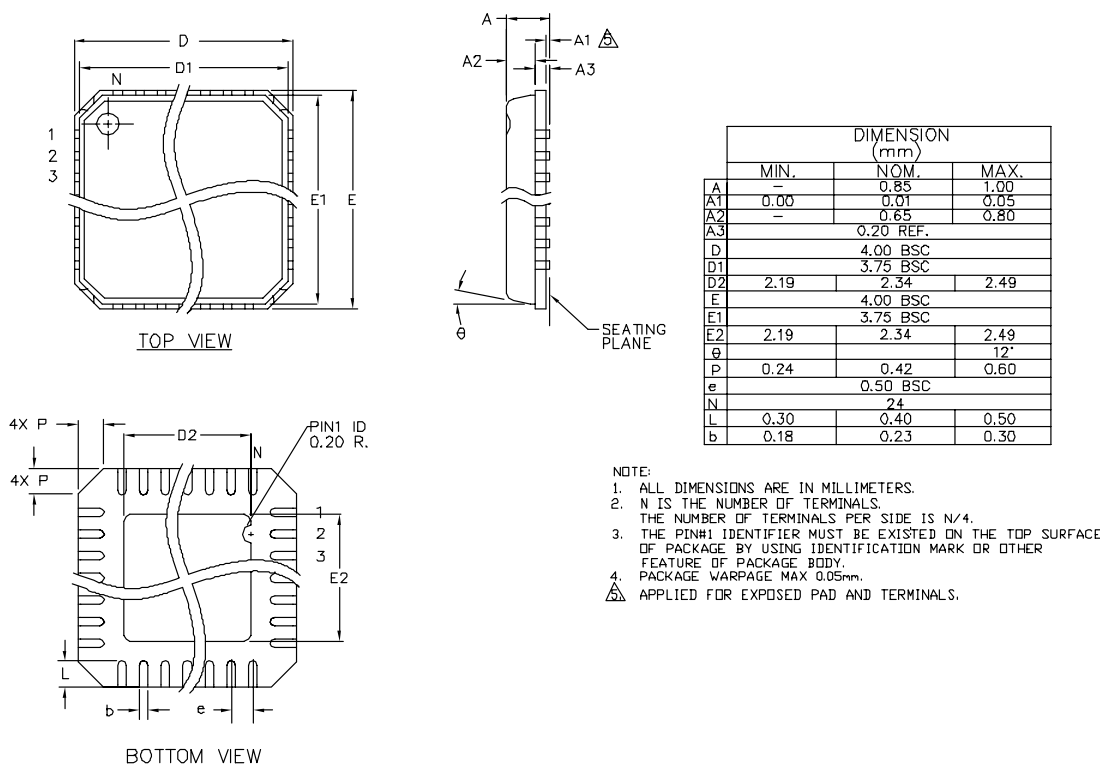
**Figure 36. Power Supply Routing and Bypassing**

## Using The MIC3000 In a 5V System

It is fairly straightforward to use the MIC3000 in a system powered from a 5V rail. In these systems, the laser diode driver IC will usually be powered from the 5V rail. A small linear regulator, such as Micrel's MIC5213, can be used to generate a 3.3V power supply rail if one does not otherwise exist in the system. All of the MIC3000's digital I/O's except for  $R_{SOUT}$  are 5V tolerant and may be pulled up to 5.5V regardless of the MIC3000's supply voltage. They can be connected directly to a 5V host. The MIC5213 is ideal, as it is capable of supplying up to 80mA, is in a tiny SC-70 package, and is stable with small ceramic output capacitors.

The laser diode driver interface will be unchanged in most cases. Ground referred voltages and currents can be generated the same way as with 3.3V-powered drivers. The exception is drivers that are controlled by a voltage referenced to  $V_{DD}$  such as the SY89307. The MIC3000's  $V_{BIAS}$  or  $V_{MOD}$  output will be referenced to its own 3.3V power supply whereas the driver's input will be referenced to its 5V power supply. The solution is a simple level-shifting circuit that converts the  $V_{BIAS}/V_{MOD}$  output into a current and then into a  $V_{DD}$ -referenced voltage.

# Package Information



## 24-Pin MLF™ (ML)

**MICREL, INC. 2180 FORTUNE DRIVE SAN JOSE, CA 95131 USA**

TEL + 1 (408) 944-0800 FAX + 1 (408) 474-1000 WEB <http://www.micrel.com>

The information furnished by Micrel in this data sheet is believed to be accurate and reliable. However, no responsibility is assumed by Micrel for its use. Micrel reserves the right to change circuitry and specifications at any time without notification to the customer.

Micrel Products are not designed or authorized for use as components in life support appliances, devices or systems where malfunction of a product can reasonably be expected to result in personal injury. Life support devices or systems are devices or systems that (a) are intended for surgical implant into the body or (b) support or sustain life, and whose failure to perform can be reasonably expected to result in a significant injury to the user. A Purchaser's use or sale of Micrel Products for use in life support appliances, devices or systems is at Purchaser's own risk and Purchaser agrees to fully indemnify Micrel for any damages resulting from such use or sale.

© 2004 Micrel, Incorporated.