

### General Description

The MIC4426/4427/4428 family are highly-reliable dual low-side MOSFET drivers fabricated on a BiCMOS/DMOS process for low power consumption and high efficiency. These drivers translate TTL or CMOS input logic levels to output voltage levels that swing within 25mV of the positive supply or ground. Comparable bipolar devices are capable of swinging only to within 1V of the supply. The MIC4426/7/8 is available in three configurations: dual inverting, dual noninverting, and one inverting plus one noninverting output.

The MIC4426/4427/4428 are pin-compatible replacements for the MIC426/427/428 and MIC1426/1427/1428 with improved electrical performance and rugged design (Refer to the Device Replacement lists on the following page). They can withstand up to 500mA of reverse current (either polarity) without latching and up to 5V noise spikes (either polarity) on ground pins.

Primarily intended for driving power MOSFETs, MIC4426/7/8 drivers are suitable for driving other loads (capacitive, resistive, or inductive) which require low-impedance, high peak current, and fast switching time. Other applications include driving heavily loaded clock lines, coaxial cables, or piezoelectric transducers. The only load limitation is that total driver power dissipation must not exceed the limits of the package.

Note See MIC4126/4127/4128 for high power and narrow pulse applications.

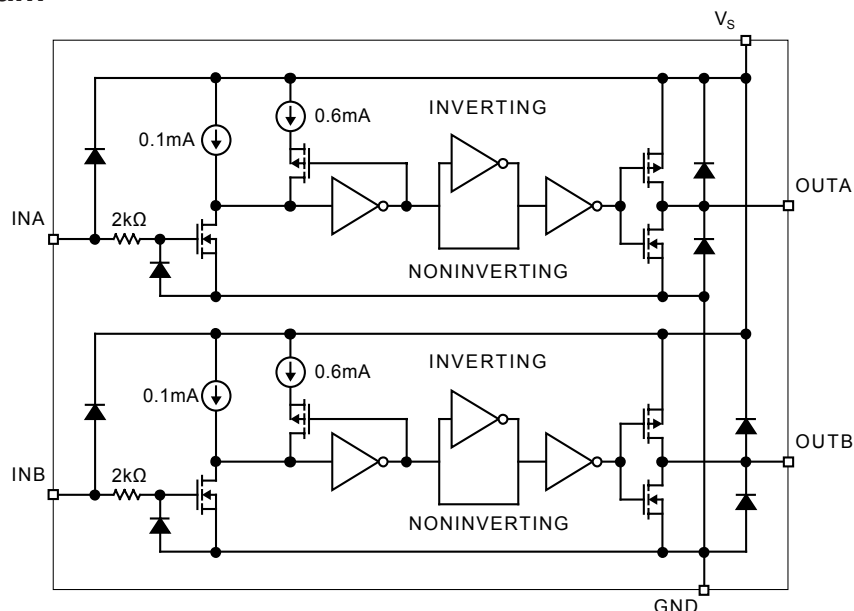
### Features

- Bipolar/CMOS/DMOS construction
- Latch-up protection to >500mA reverse current
- 1.5A-peak output current
- 4.5V to 18V operating range
- Low quiescent supply current
  - 4mA at logic 1 input
  - 400µA at logic 0 input
- Switches 1000pF in 25ns
- Matched rise and fall times
- 7Ω output impedance
- <40ns typical delay
- Logic-input threshold independent of supply voltage
- Logic-input protection to -5V
- 6pF typical equivalent input capacitance
- 25mV max. output offset from supply or ground
- Replaces MIC426/427/428 and MIC1426/1427/1428
- Dual inverting, dual noninverting, and inverting/noninverting configurations
- ESD protection

### Applications

- MOSFET driver
- Clock line driver
- Coax cable driver
- Piezoelectric transducer driver

### Functional Diagram



## Ordering Information

Part Number		Temperature Range	Package	Configuration
Standard	Pb-Free			
MIC4426BM	MIC4426YM	-40°C to +85°C	8-Pin SOIC	Dual Inverting
MIC4426CM	MIC4426ZM	-0°C to +70°C	8-Pin SOIC	Dual Inverting
MIC4426BMM	MIC4426YMM	-40°C to +85°C	8-Pin MSOP	Dual Inverting
MIC4426BN	MIC4426YN	-40°C to +85°C	8-Pin PDIP	Dual Inverting
MIC4426CN	MIC4426ZN	-0°C to +70°C	8-Pin PDIP	Dual Inverting
MIC4427BM	MIC4427YM	-40°C to +85°C	8-Pin SOIC	Dual Non-Inverting
MIC4427CM	MIC4427ZM	-0°C to +70°C	8-Pin SOIC	Dual Non-Inverting
MIC4427BMM	MIC4427YMM	-40°C to +85°C	8-Pin MSOP	Dual Non-Inverting
MIC4427BN	MIC4427YN	-40°C to +85°C	8-Pin PDIP	Dual Non-Inverting
MIC4427CN	MIC4427ZN	-0°C to +70°C	8-Pin PDIP	Dual Non-Inverting
MIC4428BM	MIC4428YM	-40°C TO +85°C	8-Pin SOIC	Inverting + Non-Inverting
MIC4428CM	MIC4428ZM	-0°C to +70°C	8-Pin SOIC	Inverting + Non-Inverting
MIC4428BMM	MIC4428YMM	-40°C to +85°C	8-Pin MSOP	Inverting + Non-Inverting
MIC4428BN	MIC4428YN	-40°C to +85°C	8-Pin PDIP	Inverting + Non-Inverting
MIC4428CN	MIC4428ZN	-0°C to +70°C	8-Pin PDIP	Inverting + Non-Inverting

**Note**

DESC standard military drawing 5962-88503 available;

MIC4426, CERDIP 8-Pin

SMD#: 5962-8850307PA

Micrel Part Number: 5952-8850307PA

MIC4427, CERDIP 8-Pin

SMD#: 5962-8850308PA

Micrel Part Number: 5952-8850308PA

MIC4428, CERDIP 8-Pin

SMD#: 5962-8850309PA

Micrel Part Number: 5952-8850309PA

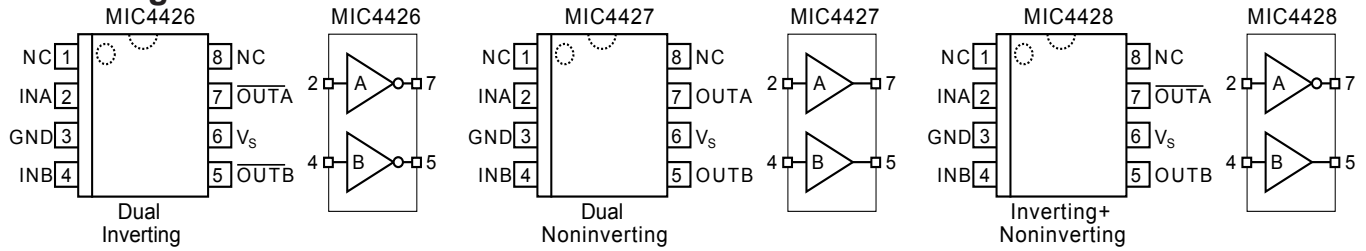
**MIC426/427/428 Device Replacement**

Discontinued Number	Replacement
MIC426CM	MIC4426BM
MIC426BM	MIC4426BM
MIC426CN	MIC4426BN
MIC426BN	MIC4426BN
MIC427CM	MIC4427BM
MIC427BM	MIC4427BM
MIC427CN	MIC4427BN
MIC427BN	MIC4427BN
MIC428CM	MIC4428BM
MIC428BM	MIC4428BM
MIC428CN	MIC4428BN
MIC428BN	MIC4428BN

**MIC1426/1427/1428 Device Replacement**

Discontinued Number	Replacement
MIC1426CM	MIC4426BM
MIC1426BM	MIC4426BM
MIC1426CN	MIC4426BN
MIC1426BN	MIC4426BN
MIC1427CM	MIC4427BM
MIC1427BM	MIC4427BM
MIC1427CN	MIC4427BN
MIC1427BN	MIC4427BN
MIC1428CM	MIC4428BM
MIC1428BM	MIC4428BM
MIC1428CN	MIC4428BN
MIC1428BN	MIC4428BN

## Pin Configuration



## Pin Description

Pin Number	Pin Name	Pin Function
1, 8	NC	not internally connected
2	INA	Control Input A: TTL/CMOS compatible logic input.
3	GND	Ground
4	INB	Control Input B: TTL/CMOS compatible logic input.
5	OUTB	Output B: CMOS totem-pole output.
6	$V_S$	Supply Input: +4.5V to +18V
7	OUTA	Output A: CMOS totem-pole output.

**Absolute Maximum Ratings<sup>(1)</sup>**

Supply Voltage ( $V_S$ ).....	+22V
Input Voltage ( $V_{IN}$ ).....	$V_S + 0.3V$ to GND – 5V
Junction Temperature ( $T_J$ ).....	150°C
Storage Temperature.....	–65°C to +150°C
Lead Temperature (10 sec.).....	300°C
ESD Rating <sup>(3)</sup>	

**Operating Ratings<sup>(2)</sup>**

Supply Voltage ( $V_S$ ).....	+4.5V to +18V
Temperature Range ( $T_A$ )	
(A).....	–55°C to +125°C
(B).....	–40°C to +85°C
Package Thermal Resistance	
PDIP $\theta_{JA}$ .....	130°C/W
PDIP $\theta_{JC}$ .....	42°C/W
SOIC $\theta_{JA}$ .....	120°C/W
SOIC $\theta_{JC}$ .....	75°C/W
MSOP $\theta_{JA}$ .....	250°C/W

**Electrical Characteristics<sup>(4)</sup>**

4.5V  $\leq V_S \leq 18V$ ;  $T_A = 25^\circ C$ , **bold** values indicate full specified temperature range; unless noted.

Symbol	Parameter	Condition	Min	Typ	Max	Units
<b>Input</b>						
$V_{IH}$	Logic 1 Input Voltage		2.4 <b>2.4</b>	1.4 <b>1.5</b>		V V
$V_{IL}$	Logic 0 Input Voltage			1.1 <b>1.0</b>	0.8 <b>0.8</b>	V V
$I_{IN}$	Input Current	$0 \leq V_{IN} \leq V_S$	–1		1	$\mu A$
<b>Output</b>						
$V_{OH}$	High Output Voltage		$V_S - 0.025$			V
$V_{OL}$	Low Output Voltage				<b>0.025</b>	V
$R_O$	Output Resistance	$I_{OUT} = 10mA, V_S = 18V$		6 <b>8</b>	10 <b>12</b>	$\Omega$ $\Omega$
$I_{PK}$	Peak Output Current			<b>1.5</b>		A
I	Latch-Up Protection	withstand reverse current	<b>&gt;500</b>			mA
<b>Switching Time</b>						
$t_R$	Rise Time	test Figure 1		18 <b>20</b>	30 <b>40</b>	ns ns
$t_F$	Fall Time	test Figure 1		15 <b>29</b>	20 <b>40</b>	ns ns
$t_{D1}$	Delay Time	test Figure 1		17 <b>19</b>	30 <b>40</b>	ns ns
$t_{D2}$	Delay Time	test Figure 1		23 <b>27</b>	50 <b>60</b>	ns <b>ns</b>
$t_{PW}$	<b>Pulse Width</b>	<b>test Figure 1</b>	<b>400</b>			ns
<b>Power Supply</b>						
$I_S$	Power Supply Current	$V_{INA} = V_{INB} = 3.0V$	0.6	1.4 <b>1.5</b>	4.5 <b>8</b>	mA mA
$I_S$	Power Supply Current	$V_{INA} = V_{INB} = 0.0V$		0.18 <b>0.19</b>	0.4 <b>0.6</b>	mA mA

**Notes:**

1. Exceeding the absolute maximum rating may damage the device.
2. The device is not guaranteed to function outside its operating rating.
3. Devices are ESD sensitive. Handling precautions recommended.
4. Specification for packaged product only.

Test Circuits

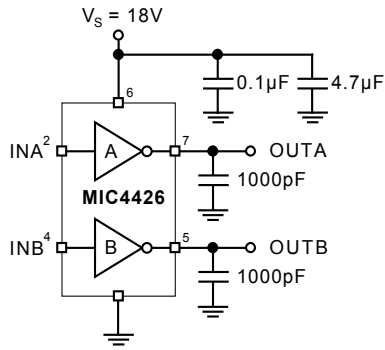


Figure 1a. Inverting Configuration

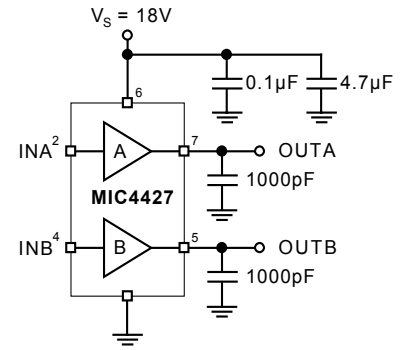


Figure 2a. Noninverting Configuration

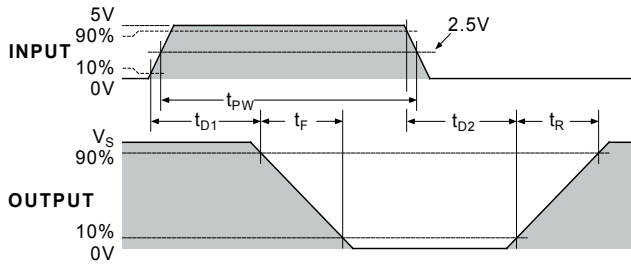


Figure 1b. Inverting Timing

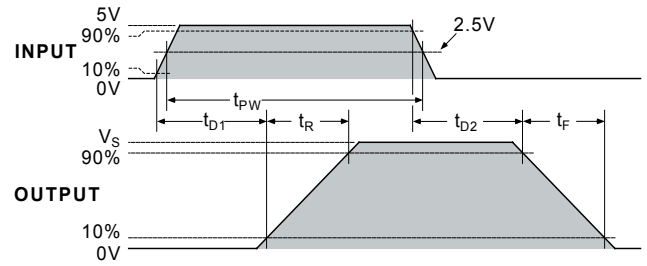
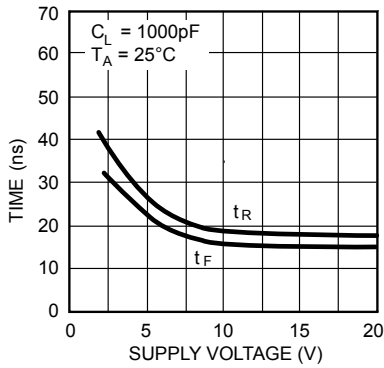


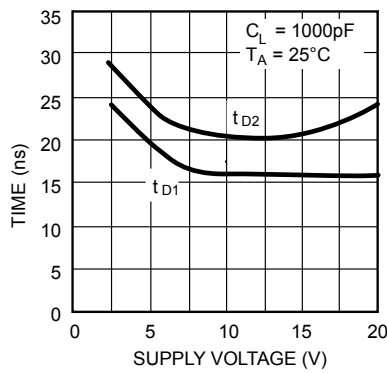
Figure 2b. Noninverting Timing

# Electrical Characteristics

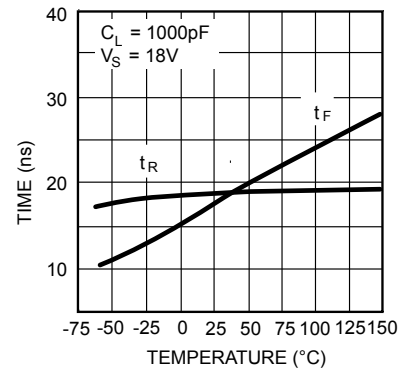
Rise and Fall Time vs. Supply Voltage



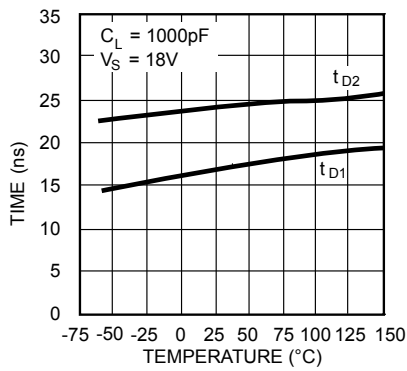
Delay Time vs. Supply Voltage



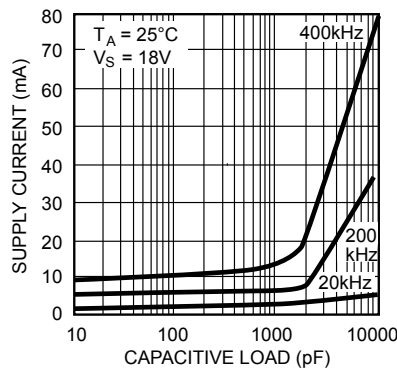
Rise and Fall Time vs. Temperature



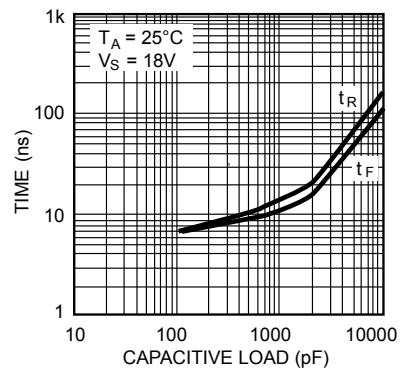
Delay Time vs. Temperature



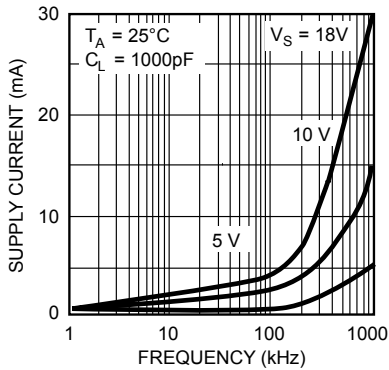
Supply Current vs. Capacitive Load



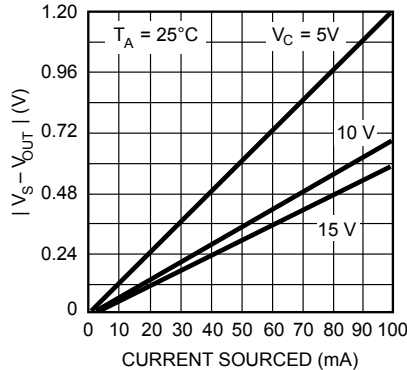
Rise and Fall Time vs. Capacitive Load



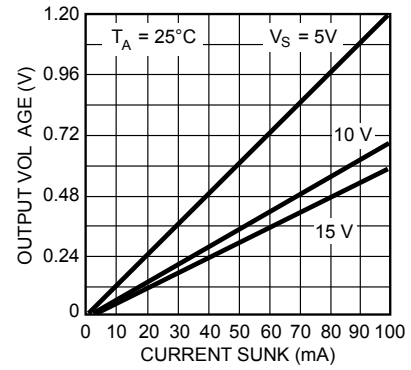
Supply Current vs. Frequency



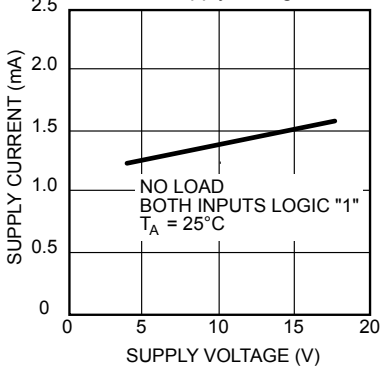
High Output vs. Current



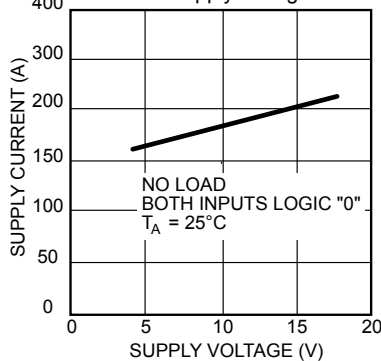
Low Output vs. Current



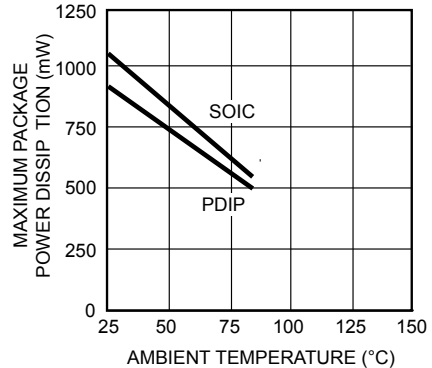
Quiescent Power Supply Current vs. Supply Voltage



Quiescent Power Supply Current vs. Supply Voltage



Package Power Dissipation



## Applications Information

### Supply Bypassing

Large currents are required to charge and discharge large capacitive loads quickly. For example, changing a 1000pF load by 16V in 25ns requires 0.8A from the supply input.

To guarantee low supply impedance over a wide frequency range, parallel capacitors are recommended for power supply bypassing. Low-inductance ceramic MLC capacitors with short lead lengths (< 0.5") should be used. A 1.0μF film capacitor in parallel with one or two 0.1μF ceramic MLC capacitors normally provides adequate bypassing.

### Grounding

When using the inverting drivers in the MIC4426 or MIC4428, individual ground returns for the input and output circuits or a ground plane are recommended for optimum switching speed. The voltage drop that occurs between the driver's ground and the input signal ground, during normal high-current switching, will behave as negative feedback and degrade switching speed.

### Control Input

Unused driver inputs must be connected to logic high (which can be  $V_S$ ) or ground. For the lowest quiescent current (< 500μA), connect unused inputs to ground. A logic-high signal will cause the driver to draw up to 9mA.

The drivers are designed with 100mV of control input hysteresis. This provides clean transitions and minimizes output stage current spikes when changing states. The control input voltage threshold is approximately 1.5V. The control input recognizes 1.5V up to  $V_S$  as a logic high and draws less than 1μA within this range.

The MIC4426/7/8 drives the TL494, SG1526/7, MIC38C42, TSC170 and similar switch-mode power supply integrated circuits.

### Power Dissipation

Power dissipation should be calculated to make sure that the driver is not operated beyond its thermal ratings. Quiescent power dissipation is negligible. A practical value for total power dissipation is the sum of the dissipation caused by the load and the transition power dissipation ( $P_L + P_T$ ).

### Load Dissipation

Power dissipation caused by continuous load current (when driving a resistive load) through the driver's output resistance is:

$$P_L = I_L^2 R_O$$

For capacitive loads, the dissipation in the driver is:

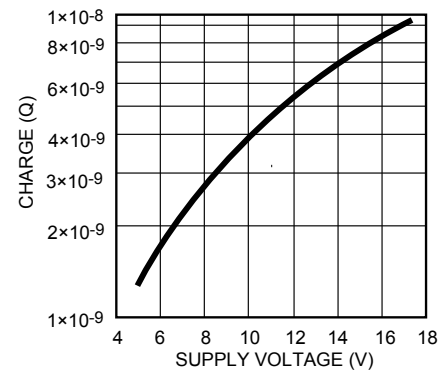
$$P_L = f C_L V_S^2$$

### Transition Dissipation

In applications switching at a high frequency, transition power dissipation can be significant. This occurs during switching transitions when the P-channel and N-channel output FETs are both conducting for the brief moment when one is turning on and the other is turning off.

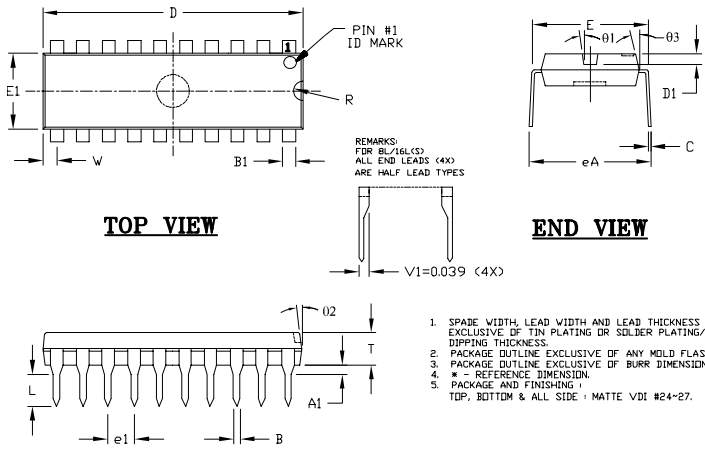
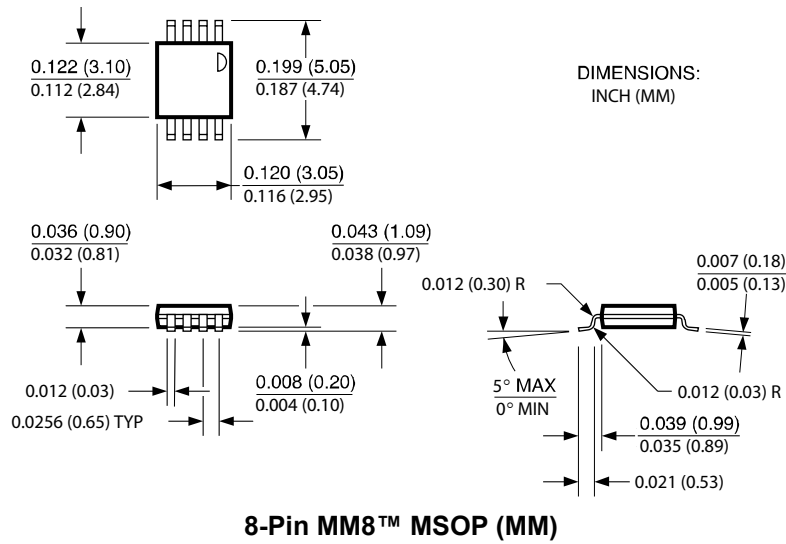
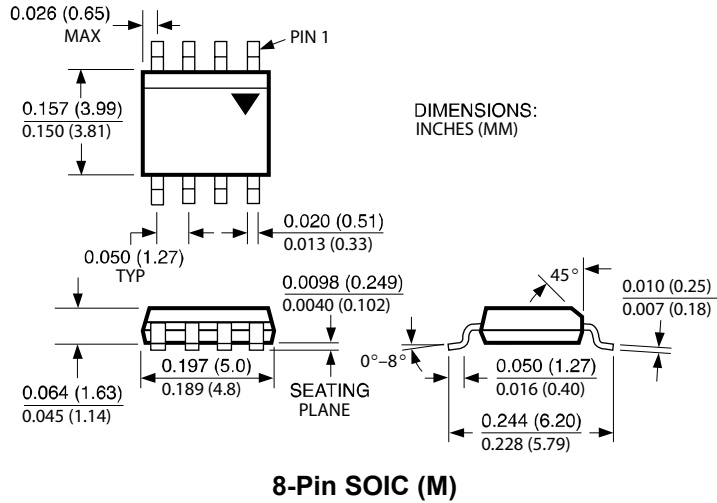
$$P_T = 2 f V_S Q$$

Charge (Q) is read from the following graph:



### Crossover Energy Loss per Transition

Package Information



LEAD TYPE		8LD	14/16LD	18LD	20LD
STAND-OFF	A1	0.015 MIN	0.015 MIN	0.015 MIN	0.015 MIN
LEAD WIDTH *	B	0.018	0.018	0.018	0.018
SPADE WIDTH *	B1	0.060	0.060	0.060	0.060
LEAD THICKNESS *	C	0.010	0.010	0.010	0.010
<b>LENGTH TOL ±0.004</b>	D	0.375	0.750	0.890	1.020
IDENT DEPTH	D1	0.030 ~ 0.060	0.030 ~ 0.060	0.030 ~ 0.060	0.030 ~ 0.060
SHOULDER WIDTH OUTER TO OUTER	E	0.300 ~ 0.325	0.300 ~ 0.325	0.300 ~ 0.325	0.300 ~ 0.325
<b>WIDTH TOL ±0.004</b>	E1	0.250	0.250	0.250	0.250
LEAD SPREAD OUTER TO OUTER	eA	0.320 ~ 0.370	0.320 ~ 0.370	0.320 ~ 0.370	0.320 ~ 0.370
LEAD PITCH *	e1	0.100	0.100	0.100	0.100
<b>LEAD LENGTH TOL ±0.004</b>	L	0.125	0.125	0.125	0.125
IDENT RADIUS	R	0.030	0.030	0.030	0.030
<b>TOTAL THICKNESS TOL ±0.004</b>	T	0.130	0.130	0.130	0.130
LEAD TO END PACKAGE	W	0.025REF	0.075REF14LD 0.025REF16LD	0.045REF	0.060REF
IDENT DRAFT TOL ±3°	Ø1	7°	7°	7°	7°
END ANGLE (4x) TOL ±3°	Ø2	7°	7°	7°	7°
SIDE ANGLE (4x) TOL ±3°	Ø3	7°	7°	7°	7°



---

**MICREL INC. 2180 FORTUNE DRIVE SAN JOSE, CA 95131 USA**  
**TEL + 1 (408) 944-0800 FAX + 1 (408) 474-1000 WEB <http://www.micrel.com>**

This information furnished by Micrel in this data sheet is believed to be accurate and reliable. However no responsibility is assumed by Micrel for its use.  
Micrel reserves the right to change circuitry and specifications at any time without notification to the customer.

Micrel Products are not designed or authorized for use as components in life support appliances, devices or systems where malfunction of a product can reasonably be expected to result in personal injury. Life support devices or systems are devices or systems that (a) are intended for surgical implant into the body or (b) support or sustain life, and whose failure to perform can be reasonably expected to result in a significant injury to the user. A Purchaser's use or sale of Micrel Products for use in life support appliances, devices or systems is a Purchaser's own risk and Purchaser agrees to fully indemnify Micrel for any damages resulting from such use or sale.

© 2003 Micrel, Incorporated.