

GaAs/GaAs SIDE LOOK PACKAGE INFRARED EMITTING DIODE

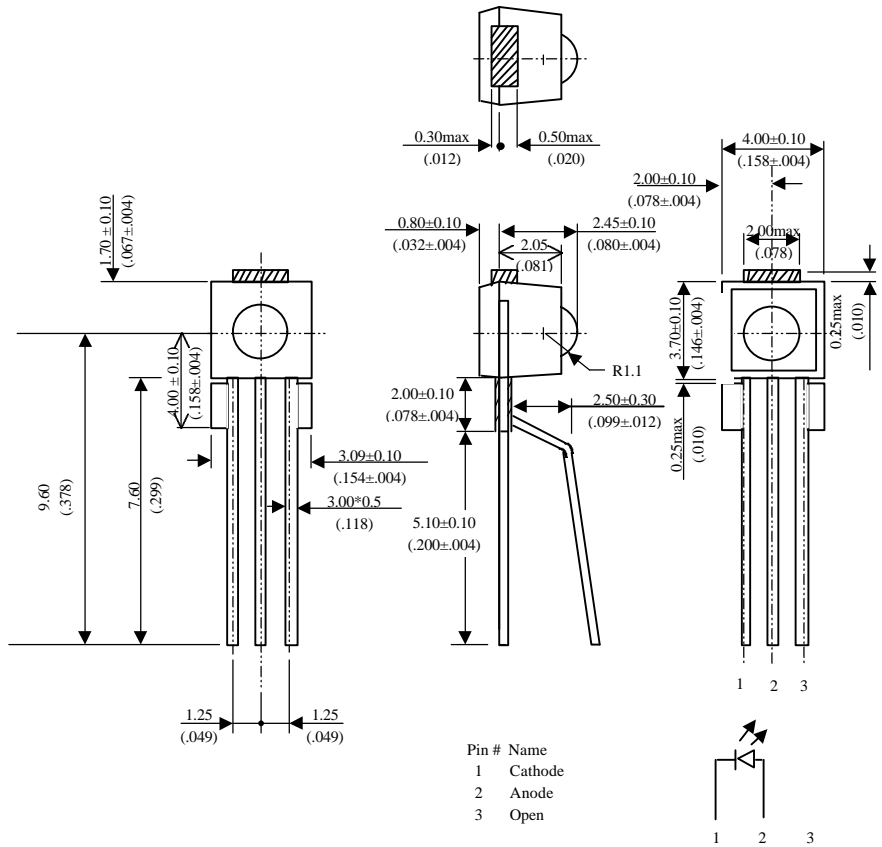
MIE-134G2

Description

The MIE-134G2 is a GaAs infrared emitting diode molded in clear, lensed side looking package. The MIE-134G2 provides a broad range of intensity selection .

Package Dimensions

Unit: mm(inches)



Features

- Selected to specific on-line intensity and radiant intensity ranges
- Low cost, plastic side looking package
- Mechanically and spectrally matched to The MID-13A45 of phototransistor .

NOTES :

1. All dimensions are in millimeters.
2. Tolerance is ± 0.25 mm unless otherwise noted .
3. Lead spacing is measured where the leads emerge from the package.

Absolute Maximum Ratings

@ $T_A=25^\circ\text{C}$

Parameter	Maximum Rating	Unit
Power Dissipation	75	mW
Peak Forward Current(300pps,10 μ s pulse)	1	A
Continuos Forward Current	50	mA
Reverse Voltage	5	V
Operating Temperature Range	-55 $^\circ\text{C}$ to +100 $^\circ\text{C}$	
Storage Temperature Range	-55 $^\circ\text{C}$ to +100 $^\circ\text{C}$	
Lead Soldering Temperature	260 $^\circ\text{C}$ for 5 seconds	

UNI

Unity Opto Technology Co., Ltd.

11/17/2000

Optical-Electrical Characteristics

@ T_A=25°C

Parameter	Test Conditions	Symbol	Min.	Typ .	Max.	Unit
Radiant Incidance	I _F =20mA	Ee	-	1.0	-	mW/cm ²
Forward Voltage	I _F =20mA	V _F	-	1.25	1.35	V
Reverse Current	V _R =5V	I _R	-	-	100	μA
Peak Wavelength	I _F =20mA	λ	-	940	-	nm
Spectral Bandwidth	I _F =20mA	Δλ	-	50	-	nm
View Angle	I _F =20mA	2θ _{1/2}	-	30	-	deg .

Typical Optical-Electrical Characteristic Curves

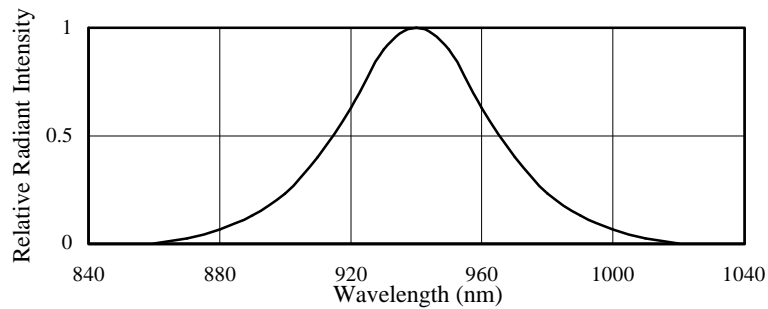


FIG.1 SPECTRAL DISTRIBUTION

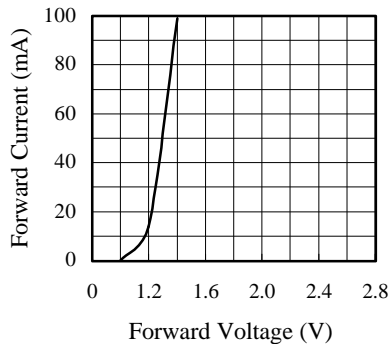


FIG.2 FORWARD CURRENT VS. FORWARD VOLTAGE

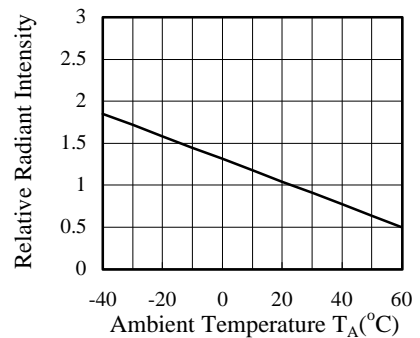


FIG.3 RELATIVE RADIANT INTENSITY VS. AMBIENT TEMPERATURE

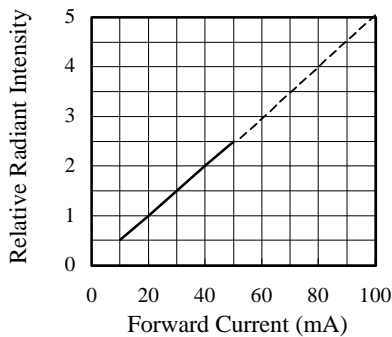


FIG.4 RELATIVE RADIANT INTENSITY VS. FORWARD CURRENT

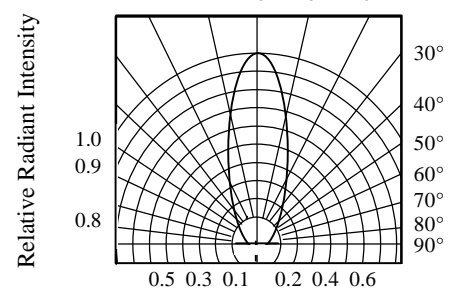


FIG.5 RADIATION DIAGRAM