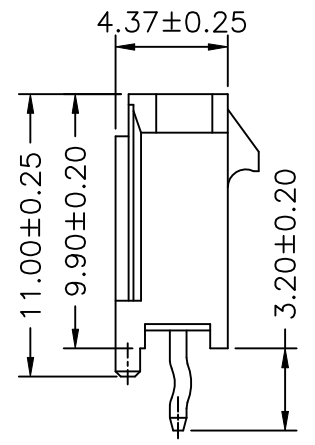
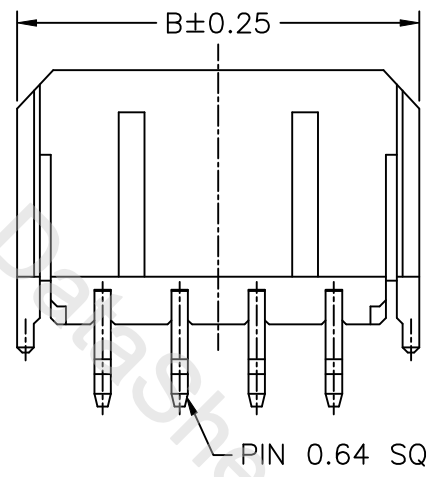
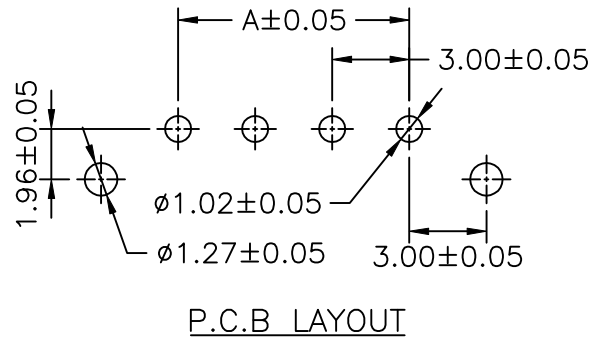
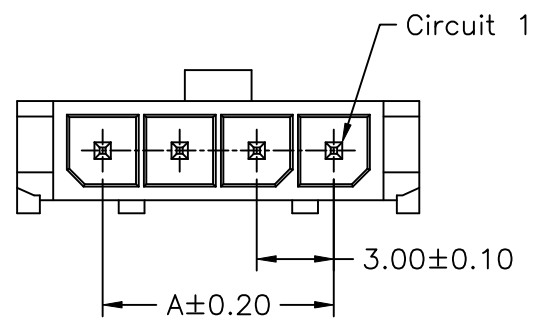


**SPECIFICATIONS**  
 Current Rating: 5A AC,DC  
 Voltage Rating: 250V AC,DC  
 Temperature Range: -25°C ~ +85°C  
 Contact Resistance: 10mΩ Max  
 Insulation Resistance: 1000MΩ Min  
 Withstanding Voltage: 1500V AC/minute  
 Pin Material: Brass/Tin-plated  
 Material: PBT30%GF,UL94V-0



**Ordering Information & Dimensions**

PART NO.	Dimensions	
	A	B
MIF-PDP-1X02	3.00	9.65
MIF-PDP-1X03	6.00	12.65
MIF-PDP-1X04	9.00	15.65
MIF-PDP-1X05	12.00	18.65
MIF-PDP-1X06	15.00	21.65
MIF-PDP-1X07	18.00	24.65
MIF-PDP-1X08	21.00	27.65
MIF-PDP-1X09	24.00	30.65
MIF-PDP-1X10	27.00	33.65
MIF-PDP-1X11	30.00	36.65
MIF-PDP-1X12	33.00	39.65



煜倫有限公司

PART NO.	MIF-PDP-1Xxx
DWG NO.	MIF-PDP-1Xxx
FILE NO.	
UNIT / mm	SCALE 1:1

APPROVED BY	CY
DRAWING BY	
PROJECTION	

TOLERANCES ARE  
 .X  
 .XX  
 .XXX  
 AWG

DESCRIPTION:	3.00mm PITCH 180° WAFER, SINGLE ROW, MICRO-FIT			
AREA	REVISIONS	HK	DATE	