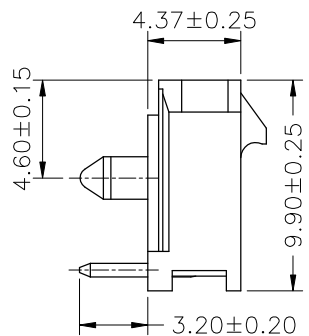
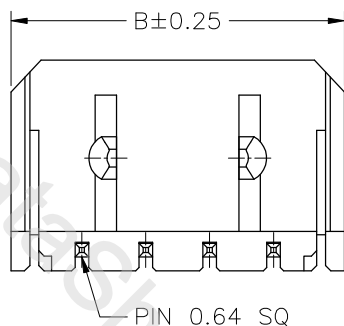


P.C.B. LAYOUT



SPECIFICATIONS

Current Rating: 5A AC,DC
 Voltage Rating: 250V AC,DC
 Temperature Range: -25°C ~ +85°C
 Contact Resistance: 10mΩ Max
 Insulation Resistance: 1000MΩ Min
 Withstanding Voltage: 1500V AC/minute
 Pin Material: Brass/Tin-plated
 Material: PBT30%GF,UL94V-0

Ordering Information & Dimensions

PART NO.	Dimensions	
	A	B
MIF-PRP-1X02	3.00	9.65
MIF-PRP-1X03	6.00	12.65
MIF-PRP-1X04	9.00	15.65
MIF-PRP-1X05	12.00	18.65
MIF-PRP-1X06	15.00	21.65
MIF-PRP-1X07	18.00	24.65
MIF-PRP-1X08	21.00	27.65
MIF-PRP-1X09	24.00	30.65
MIF-PRP-1X10	27.00	33.65
MIF-PRP-1X11	30.00	36.65
MIF-PRP-1X12	33.00	39.65

MORETHANALL
 CONNECTORS
 ASSEMBLIES

煜倫有限公司

PART NO. MIF-PRP-1Xxx

DWG NO. MIF-PRP-1Xxx

FILE NO.

UNIT / mm

SCALE 1:1

APPROVED BY CY

DRAWING BY

PROJECTION

TOLERANCES ARE

X
 .XX
 .XXX
 AWG

DESCRIPTION:

3.00mm PITCH 90° WAFER, SINGLE ROW,
 MICRO-FIT

AREA

REVISIONS

HK

DATE