

TINEL-LOCK[®] ADAPTORS
Stock Profile

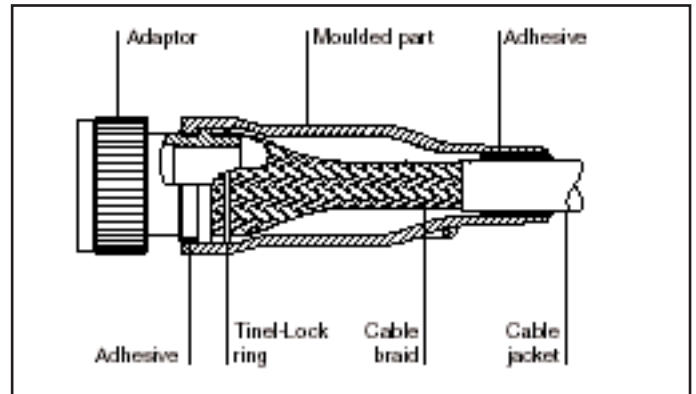
TINEL-LOCK® ADAPTORS

Tinel-Lock® Adaptors



APPLICATIONS

The Tinel-Lock® adaptor consists of a modified spin-coupling adaptor with a Tinel-Lock® ring.



ORDERING EXAMPLE: TXR54AB00 - 1610AI

	TXR54	A	B	00	- 16	10	AI
Adaptor Code (<i>Relates to connector type</i>)	_____	_____	_____	_____	_____	_____	_____
Material	_____	_____	_____	_____	_____	_____	_____
Finish	_____	_____	_____	_____	_____	_____	_____
Angle (<i>00 = straight, 45 = 45°, 90 = 90°</i>)	_____	_____	_____	_____	_____	_____	_____
Order Number	_____	_____	_____	_____	_____	_____	_____
Entry Size	_____	_____	_____	_____	_____	_____	_____
Ring Designator	_____	_____	_____	_____	_____	_____	_____

Materials: A = Aluminium

Finish: B = Cadmium, U = Zinc Cobalt

(Other materials & finishes available on request)

TINEL-LOCK® ADAPTORS

Tinel-Lock® Ring

APPLICATIONS

The Tinel-Lock® ring is made from a specially shaped memory metal that shrinks uniformly when heated.

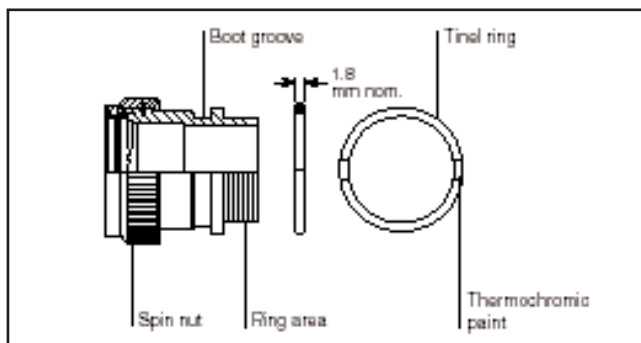
The Tinel-Lock® ring is used to terminate copper cable braid directly onto the rear of the adaptor.

The adaptor entry size and ring designator must be selected to suit the cable diameter and braid type.

The resulting 360° termination withstands severe shock, vibration, temperature cycling, and corrosion. Straight, 45° and 90° configurations are available.

The Tinel-Lock® ring designator must be specified according to the type of cable braid used, and is added to the part number after the adaptor entry size.

There are two types of ring, AI and BI, for each entry size.



RECOMMENDED SCREENING BRAID/ENTRY SIZE

Part No.	Number of Carriers	Number of Ends/Carriers	Individual Strand Size (mm/AVG)	Wire Bundle Diameter Range			Tinel-Lock® Adaptor Entry Size (Single-Layer Braid)
				MIN.	MAX.	Wall Thickness (NOM.)	
RAY 101-3.0	16	10	0.1 (38)	2.5 (.10)	5.0 (.20)	N/A	N/A
RAY 101-4.0	24	7	0.13 (36)	3.5 (.14)	7.5 (.30)	0.4 (.02)	04*
RAY 101-6.0	24	9	0.13 (36)	4.0 (.16)	9.5 (.37)	0.4 (.02)	04, 05, 06*, 07
RAY 101-7.5	24	14	0.13 (36)	6.0 (.24)	14.0 (.55)	0.4 (.02)	05, 06, 07, 10*
RAY 101-10.0	36	12	0.13 (36)	8.0 (.31)	22.0 (.87)	0.4 (.02)	07, 08, 10, 12*
RAY 101-12.5	36	15	0.13 (36)	10.0 (.39)	24.0 (.94)	0.4 (.02)	08, 10, 12, 14, 16*
RAY 101-20.0	48	16	0.13 (36)	16.0 (.63)	38.0 (1.50)	0.4 (.02)	12, 14, 16, 18, 20, 22

* Combination is not preferred; use only if absolutely necessary.

Braid Type	Tinel-Lock® Ring Designator
Single layer 36 AWG	AI
Single layer 34 AWG	AI
Single layer 32 AWG	BI
Single layer 30 AWG	BI
Double layer 36 AWG	BI
Double layer 34 AWG	BI

Note: Tinel-Lock® rings are marked with thermochromic paint, which changes colour when the correct installation temperature is reached. BI-type rings are identified with a red spot. The braid type, material and construction are variable. Please contact **IS-Rayfast** for further information.

TINEL-LOCK® ADAPTORS

Code 40 MIL-C-38999 Series III & IV

STOCK PROFILE

MIL-C-38999 Series III & IV
<i>Straight</i>
TXR40AB00-0804AI
TXR40AB00-0804BI
STXR40AB00-0806AI
STXR40AB00-0806BI
TXR40AB00-1006AI
TXR40AB00-1006BI
STXR40AB00-1008AI
STXR40AB00-1008BI
TXR40AB00-1206AI
TXR40AB00-1206BI
TXR40AB00-1208AI
TXR40AB00-1208BI
STXR40AB00-1210AI
STXR40AB00-1210BI
TXR40AB00-1406AI
TXR40AB00-1406BI
TXR40AB00-1408AI
TXR40AB00-1408BI
TXR40AB00-1410AI
TXR40AB00-1410BI
STXR40AB00-1412AI
STXR40AB00-1412BI
TXR40AB00-1608AI
TXR40AB00-1608BI
TXR40AB00-1610AI
TXR40AB00-1610BI
TXR40AB00-1612AI
TXR40AB00-1612BI
TXR40AB00-1810AI
TXR40AB00-1810BI
TXR40AB00-1812AI
TXR40AB00-1812BI
TXR40AB00-1814AI
TXR40AB00-1814BI
TXR40AB00-2012AI
TXR40AB00-2012BI
TXR40AB00-2014AI
TXR40AB00-2014BI
TXR40AB00-2016AI
TXR40AB00-2016BI
TXR40AB00-2214AI
TXR40AB00-2214BI
TXR40AB00-2216AI
TXR40AB00-2216BI
TXR40AB00-2218AI
TXR40AB00-2218BI
TXR40AB00-2418AI
TXR40AB00-2418BI

MIL-C-38999 Series III & IV
<i>Right Angle</i>
TXR40AB90-0804AI
TXR40AB90-0804BI
STXR40AB90-0806AI
STXR40AB90-0806BI
TXR40AB90-1006AI
TXR40AB90-1006BI
TXR40AB90-1206AI
TXR40AB90-1206BI
TXR40AB90-1208AI
TXR40AB90-1208BI
TXR40AB90-1406AI
TXR40AB90-1406BI
TXR40AB90-1408AI
TXR40AB90-1408BI
TXR40AB90-1410AI
TXR40AB90-1410BI
TXR40AB90-1608AI
TXR40AB90-1608BI
TXR40AB90-1610AI
TXR40AB90-1610BI
TXR40AB90-1612AI
TXR40AB90-1612BI
TXR40AB90-1812AI
TXR40AB90-1812BI

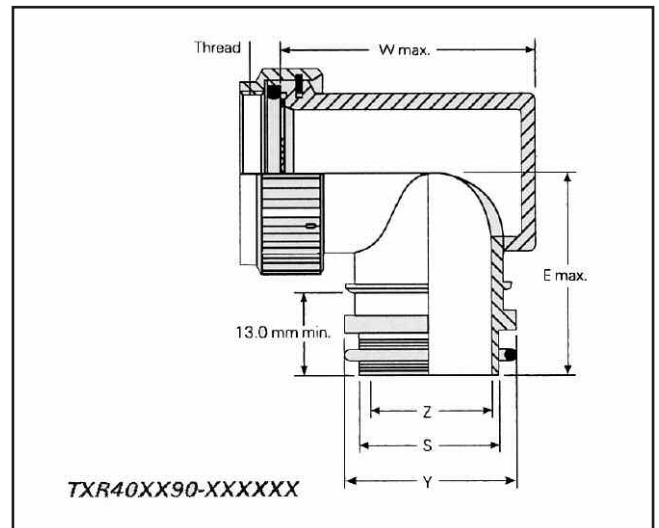
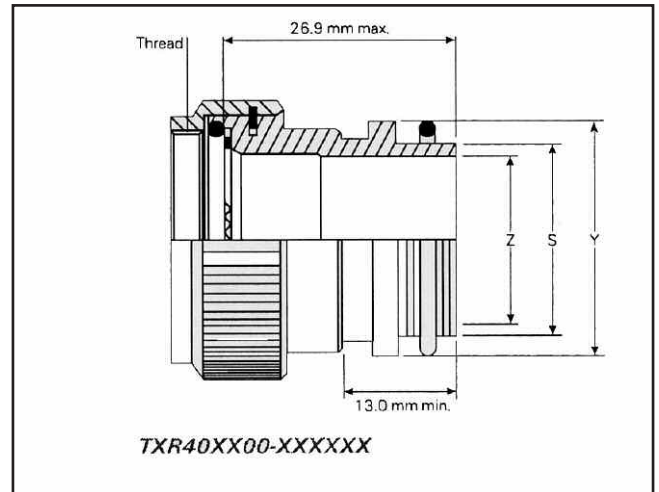


Table of Dimensions (mm/in)

Order Number	Shell Size		Max. Entry Size Type 1	Thread	C Max. mm (in)	D Max. mm (in)	E Max. mm (in)
	Commercial	Military					
08	9	A	04	M12 x 1.0	20.8 (0.82)	22.6 (0.89)	27.9 (1.10)
10	11	B	07	M15 x 1.0	21.3 (0.84)	23.4 (0.92)	30.5 (1.20)
12	13	C	08	M18 x 1.0	22.1 (0.87)	24.1 (0.95)	32.0 (1.26)
14	15	D	10	M2 x 1.0	22.6 (0.89)	24.1 (0.95)	34.0 (1.34)
16	17	E	12	M25 x 1.0	23.4 (0.92)	24.9 (0.98)	35.6 (1.40)
18	19	F	14	M28 x 1.0	24.1 (0.95)	25.7 (1.01)	36.8 (1.45)
20	21	G	16	M31 x 1.0	24.6 (0.97)	26.4 (1.04)	38.4 (1.51)
22	23	H	18	M34 x 1.0	25.4 (1.00)	27.2 (1.07)	39.9 (1.57)
24	25	J	20	M37 x 1.0	25.9 (1.02)	27.2 (1.07)	42.4 (1.67)

NOTE: Larger than illustrated maximum type 1 entry sizes will be supplied as a two piece adaptor. Please contact **IS-Rayfast** for further information.

TINEL-LOCK® ADAPTORS

Code 40 MIL-C-38999 Series III & IV

Entry Size Dimensions (mm/in)

Entry size	Z +0.25-0.5	S diameter	Y dia.	W max.
		(min.-max.)	mm (in)	mm (in)
04	6.35 (0.25)	9.39-9.56 (0.37-0.38)	13.97 (0.55)	31.2 (1.23)
05	7.92 (0.31)	10.97-11.13 (0.43-0.44)	15.54 (0.61)	32.8 (1.29)
06	9.52 (0.37)	12.57-12.73 (0.49-0.50)	17.14 (0.67)	34.3 (1.35)
07	11.09 (0.44)	14.12-14.31 (0.55-0.56)	18.71 (0.74)	36.1 (1.42)
08	12.7 (0.50)	15.72-15.91 (0.62-0.63)	20.32 (0.80)	37.6 (1.48)
10	15.87 (0.62)	18.84-19.11 (0.74-0.75)	23.49 (0.92)	40.6 (1.60)
12	19.05 (0.75)	22.02-22.28 (0.87-0.88)	26.67 (1.05)	43.9 (1.73)
14	22.23 (0.88)	25.17-25.46 (0.99-1.00)	29.84 (1.17)	47.0 (1.85)
16	25.4 (1.00)	28.34-28.63 (1.12-1.13)	33.02 (1.30)	50.8 (2.00)
18	28.57 (1.12)	31.52-31.81 (1.24-1.25)	36.19 (1.42)	54.1 (2.13)
20	31.75 (1.25)	34.69-34.98 (1.37-1.38)	39.37 (1.55)	57.21 (2.25)

Moulded Part Selection Guide

TinelLock entry size	Standard K parts			Low-profile D parts		
	Straight part no.	90° part no.	Cable OD (min.) mm (in)	Straight part no.	90° part no.	Cable OD (min.) mm (in)
04	202K232		3.3 (0.1)			
04	202W232		4.3 (0.2)			
04	202K121	222K121	5.6 (0.2)	202D211	222D211	6.4 (0.3)
05, 06	202K132	222K132	5.9 (0.2)	202D221	222D221	7.4 (0.3)
07, 08	202K142	222K142	7.1 (0.3)	202D232	222D232	8.4 (0.3)
10, 12	202K153	222K152	8.4 (0.3)	202D242	222D242	9.7 (0.4)
14, 16	202K163	222K163	9.9 (0.4)	202D253	222D253	10.5 (0.4)
18, 20, 22	202K174	222K174	15.7 (0.6)	202D263	222D263	12.2 (0.5)
24	202K185	222K185	16.8 (0.7)			

Uniboot Parts

TinelLock entry size	Part no.	Cable OD (min.) mm (in)
04	202C611	4.8 (0.19)
05, 06, 07	202C621	8.1 (0.32)
08, 10, 12	202C632	12.7 (0.50)
12, 14, 16	202C642	17.5 (0.69)
16, 18, 20, 22	202C653	22.4 (0.88)
24	202C663	22.9 (0.90)



TINEL-LOCK® ADAPTORS

Code 41 MIL-C-38999 Series I & II

STOCK PROFILE

MIL-C-38999 Series I & II
TXR41AB00-0804AI
TXR41AB00-0804BI
TXR41AB00-1006AI
TXR41AB00-1006BI
TXR41AB00-1208AI
TXR41AB00-1208BI
TXR41AB00-1410AI
TXR41AB00-1410BI
TXR41AB00-1612AI
TXR41AB00-1612BI

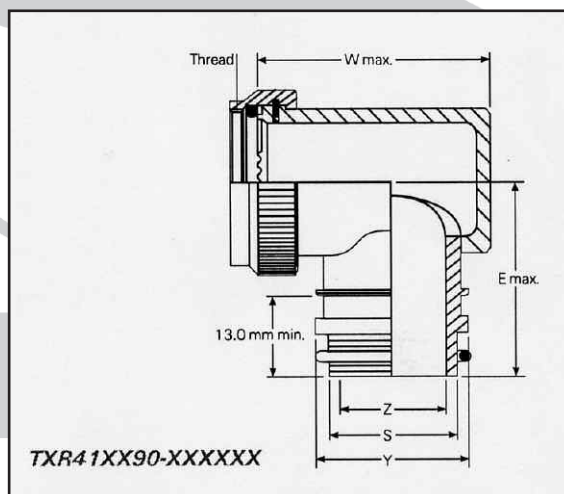
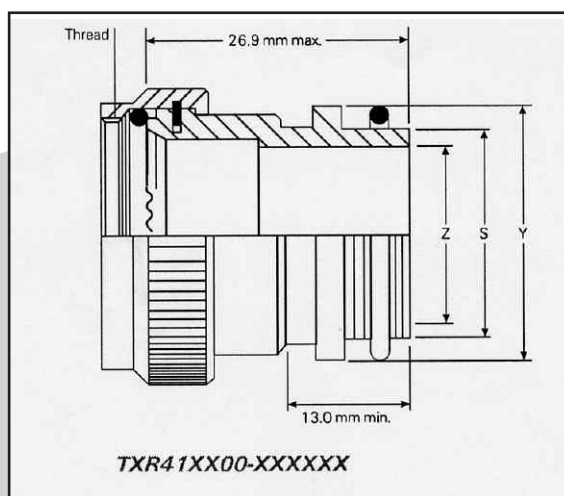


Table of Dimensions (mm/in)

Order number	Shell size Series I	Series II	Max. entry* size type 1	A Unified thread class 2B	C max. mm (in)	D max. mm (in)	E max. mm (in)
08	9	8		.438-28 UNEF	17.5 (0.69)	23.1 (0.91)	29.2 (1.15)
10	11	10		.562-24 UNEF	18.3 (0.72)	23.6 (0.93)	30.7 (1.21)
12	13	12	08	.688-24 UNEF	18.8 (0.74)	24.4 (0.96)	32.5 (1.28)
14	15	14	10	.812-20 UNEF	19.3 (0.76)	24.9 (0.98)	34.0 (1.34)
16	17	16	12	.938-20 UNEF	20.1 (0.79)	25.4 (1.00)	35.6 (1.40)
18	19	18	13	1.062-18 UNEF	20.6 (0.81)	26.2 (1.03)	37.1 (1.46)
20	21	20	15	1.188-18 UNEF	21.3 (0.84)	26.9 (1.06)	38.9 (1.53)
22	23	22	16	1.312-18 UNEF	22.1 (0.87)	27.4 (1.08)	40.4 (1.59)
24	25	24	18	1.438-18 UNEF	22.6 (0.89)	28.2 (1.11)	41.9 (1.65)

NOTE: Larger than illustrated maximum type 1 entry sizes will be supplied as a two piece adaptor. Please contact **IS-Rayfast** for further information.

TINEL-LOCK® ADAPTORS

Code 41 MIL-C-38999 Series I & II

Entry Size Dimensions (mm/in)

Entry size	Z +0.25-0.5	S diameter		Y ±0.38	W max.
		(min.-max.)			
04	6.35 (0.25)	9.39-9.56	(0.37-0.38)	13.97 (0.55)	27.2 (1.07)
05	7.92 (0.31)	10.97-11.13	(0.43-0.44)	15.54 (0.61)	28.7 (1.13)
06	9.52 (0.37)	12.57-12.73	(0.49-0.50)	17.14 (0.67)	30.2 (1.19)
07	11.09 (0.44)	14.12-14.31	(0.55-0.56)	18.71 (0.74)	31.8 (1.25)
08	12.7 (0.50)	15.72-15.91	(0.62-0.63)	20.32 (0.80)	33.5 (1.32)
10	15.87 (0.62)	18.84-19.11	(0.74-0.75)	23.49 (0.92)	36.6 (1.44)
12	19.05 (0.75)	22.02-22.28	(0.87-0.88)	26.67 (1.05)	39.9 (1.57)
14	22.23 (0.88)	25.17-25.46	(0.99-1.00)	29.84 (1.17)	42.9 (1.69)
16	25.4 (1.00)	28.34-28.63	(1.12-1.13)	33.02 (1.30)	46.2 (1.82)
18	28.57 (1.12)	31.52-31.81	(1.24-1.25)	36.19 (1.42)	49.3 (1.94)

Moulded Part Selection Guide

TinelLock entry size	Standard K parts			Low-profile D parts		
	Straight part no.	90° part no.	Cable OD (min.) mm (in)	Straight part no.	90° part no.	Cable OD (min.) mm (in)
04	202K232		3.3 (0.1)			
04	202W232		4.3 (0.2)			
04	202K121	222K121	5.6 (0.2)	202D211	222D211	6.4 (0.3)
05, 06	202K132	222K132	5.9 (0.2)	202D221	222D221	7.4 (0.3)
07, 08	202K142	222K142	7.1 (0.3)	202D232	222D232	8.4 (0.3)
10, 12	202K153	222K152	8.4 (0.3)	202D242	222D242	9.7 (0.4)
14, 16	202K163	222K163	9.9 (0.4)	202D253	222D253	10.5 (0.4)
18, 20, 22	202K174	222K174	15.7 (0.6)	202D263	222D263	12.2 (0.5)
24	202K185	222K185	16.8 (0.7)			

Uniboot Parts

TinelLock entry size	Part no.	Cable OD (min.) mm (in)
04	202C611	4.8 (0.19)
05, 06, 07	202C621	8.1 (0.32)
08, 10, 12	202C632	12.7 (0.50)
12, 14, 16	202C642	17.5 (0.69)
16, 18, 20, 22	202C653	22.4 (0.88)
24	202C663	22.9 (0.90)



TINEL-LOCK® ADAPTORS

Code 54 MIL-C-5015 (MS3400), MIL-C-26482 Series 2,
MIL-C-83723 Series I & III, MIL-C-81703 Series III

STOCK PROFILE

Mil-C-5015 (MS3400),
Mil-C-26482 Series 2,
Mil-C-83723 Series I & III,
Mil-C-81703 Series III

TXR54AB00-0804AI
TXR54AB00-0804BI
TXR54AB00-1006AI
TXR54AB00-1006BI
TXR54AB00-1208AI
TXR54AB00-1208BI
TXR54AB00-1408AI
TXR54AB00-1408BI
TXR54AB00-1410AI
TXR54AB00-1410BI

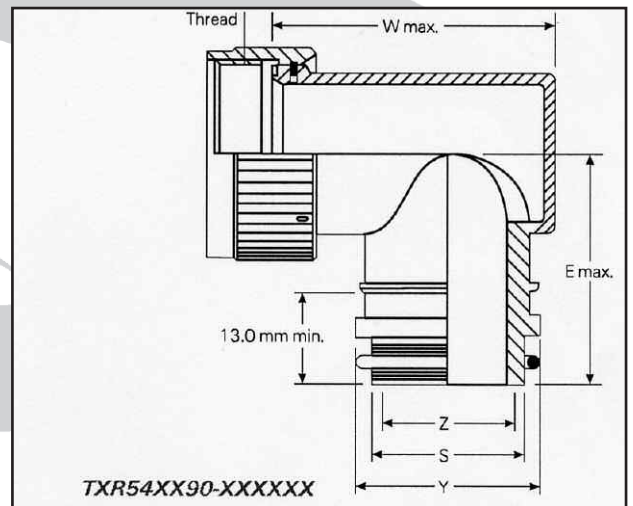
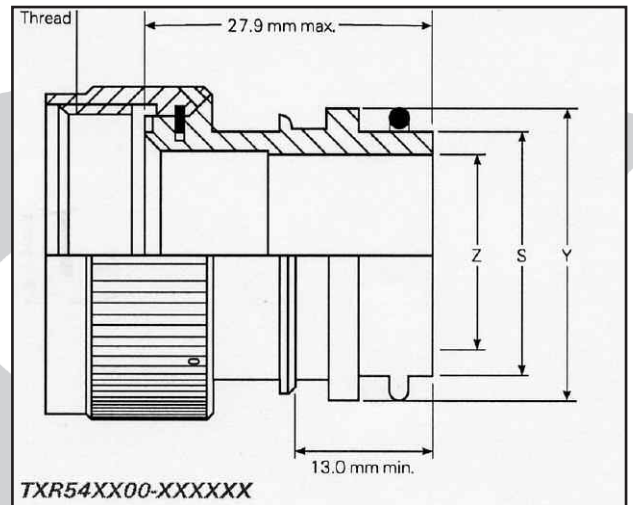


Table of Dimensions (mm/in)

Order number	Shell size		Max. entry size type 1*	Thread	C max.		D max.		E max.	
	MIL-C-81703	MIL-C-5015			mm	(in)	mm	(in)	mm	(in)
03	3		04	.562-24 UNEF	19.10	(0.75)	23.10	(0.91)	28.70	(1.13)
08		8 & 8S	04	.500-20 UNF	19.10	(0.75)	23.10	(0.91)	27.90	(1.10)
10		10, 10S & 10 SL	06	.625-24 UNEF	19.60	(0.77)	23.60	(0.93)	29.50	(1.16)
12	7	12 & 12S	08	.750-20 UNEF	20.30	(0.80)	24.10	(0.95)	31.00	(1.22)
14	12	14 & 14S	08	.875-20 UNEF	20.80	(0.82)	24.60	(0.97)	32.50	(1.28)
16	19	16 & 16S	10	1.000-20 UNEF	21.30	(0.84)	25.40	(1.00)	34.30	(1.35)
18	27	18	12	1.062-18 UNEF	21.80	(0.86)	25.70	(1.01)	35.60	(1.40)
20	37	20	14	1.188-18 UNEF	22.40	(0.88)	26.40	(1.04)	37.10	(1.46)
22		22	16	1.312-18 UNEF	23.10	(0.91)	26.90	(1.06)	38.90	(1.53)
24		24	18	1.438-18 UNEF	23.60	(0.93)	27.70	(1.09)	40.40	(1.59)
28		28	22	1.750-18 UNS	24.90	(0.98)	29.20	(1.15)	45.20	(1.78)
32		32	24	2.000-18 UNS	26.20	(1.03)	30.50	(1.20)	48.30	(1.90)
36		36	24	2.250-16 UN	27.40	(1.08)	31.80	(1.25)	51.60	(2.03)
40		40	24	2.500-16 UN	29.00	(1.14)	33.30	(1.31)	54.60	(2.15)
44		44	24	2.750-16 UN	30.20	(1.19)	34.50	(1.36)	57.90	(2.28)
48		48	24	3.000-16 UN	31.50	(1.24)	35.10	(1.38)	61.00	(2.40)
61	61		18	1.500-18 UNEF	23.90	(0.94)	27.90	(1.10)	41.10	(1.62)

NOTE: Larger than illustrated maximum type 1 entry sizes will be supplied as a two piece adaptor. Please contact **IS-Rayfast** for further information.

(UK) Tel: +44(0) 1793 616700
(UK) Fax: +44(0) 1793 644304
(UK) Email: uksales@israyfast.com



www.israyfast.com

(Europe) Tel: +44(0) 1793 439128
(Europe) Fax: +44(0) 870 6089453
(Europe) Email: export@israyfast.com

TINEL-LOCK® ADAPTORS

**Code 54 MIL-C-5015 (MS3400), MIL-C-26482 Series 2,
MIL-C-83723 Series I & III, MIL-C-81703 Series III**

Entry Size Dimensions (mm/in)

Entry size	S diameter			
	Z +0.25-0.5	(min.-max.)	Y±0.38	W max.
04	6.35 (0.25)	9.39-9.56 (0.37-0.38)	13.97 (0.55)	28.4 (1.12)
05	7.92 (0.31)	10.97-11.13 (0.43-0.44)	15.54 (0.61)	30.2 (1.19)
06	9.52 (0.37)	12.57-12.73 (0.49-0.50)	17.14 (0.67)	31.8 (1.25)
07	11.09 (0.44)	14.12-14.31 (0.55-0.56)	18.71 (0.74)	33.3 (1.31)
08	12.7 (0.50)	15.72-15.91 (0.62-0.63)	20.32 (0.80)	35.1 (1.38)
10	15.87 (0.62)	18.84-19.11 (0.74-0.75)	23.49 (0.92)	38.1 (1.50)
12	19.05 (0.75)	22.02-22.28 (0.87-0.88)	26.67 (1.05)	41.1 (1.62)
14	22.23 (0.88)	25.17-25.46 (0.99-1.00)	29.84 (1.17)	44.5 (1.75)
16	25.4 (1.00)	28.34-28.63 (1.12-1.13)	33.02 (1.30)	47.8 (1.88)
18	28.57 (1.12)	31.52-31.81 (1.24-1.25)	36.19 (1.42)	50.8 (2.00)
20	31.75 (1.25)	34.69-34.98 (1.37-1.38)	39.37 (1.55)	53.8 (2.12)
22	34.93 (1.38)	37.79-38.15 (1.49-1.50)	42.55 (1.68)	57.2 (2.25)
24	38.1 (1.50)	40.97-41.33 (1.61-1.63)	45.72 (1.80)	60.5 (2.38)

Moulded Part Selection Guide

Tinel-Lock entry size	Standard K parts			Low-profile D parts		
	Straight part no.	90° part no.	Cable OD (min.) mm (in)	Straight part no.	90° part no.	Cable OD (min.) mm (in)
04	202K232		3.3 (0.1)			
04	202W232		4.3 (0.2)			
04	202K121	222K121	5.6 (0.2)	202D211	222D211	6.4 (0.3)
05,06	202K132	222K132	5.9 (0.2)	202D221	222D221	7.4 (0.3)
07,08	202K142	222K142	7.1 (0.3)	202D232	222D232	8.4 (0.3)
10,12	202K153	222K152	8.4 (0.3)	202D242	222D242	9.7 (0.4)
14,16	202K163	222K163	9.9 (0.4)	202D253	222D253	10.5 (0.4)
18,20,22	202K174	222K174	15.7 (0.6)	202D263	222D263	12.2 (0.5)
24	202K185	222K185	16.8 (0.7)			

Uniboot Parts

Tinel-Lock entry size	Part no.	Cable OD (min.) mm (in)
04	202C611	4.8 (0.19)
05,06,07	202C621	8.1 (0.32)
08,10,12	202C632	12.7 (0.50)
12,14,16	202C642	17.5 (0.69)
16,18,20,22	202C653	22.4 (0.88)
24	202C663	22.9 (0.90)



TINEL-LOCK® ADAPTORS

Code 21 MIL-C-26482 Series I

STOCK PROFILE

Code 21 MIL-C-26482 Series I
TXR21AB00-0804AI
TXR21AB00-0804BI
TXR21AB00-1006AI
TXR21AB00-1006BI
TXR21AB00-1208AI
TXR21AB00-1208BI
TXR21AB00-1410AI
TXR21AB00-1410BI
TXR21AB00-1612AI
TXR21AB00-1612BI

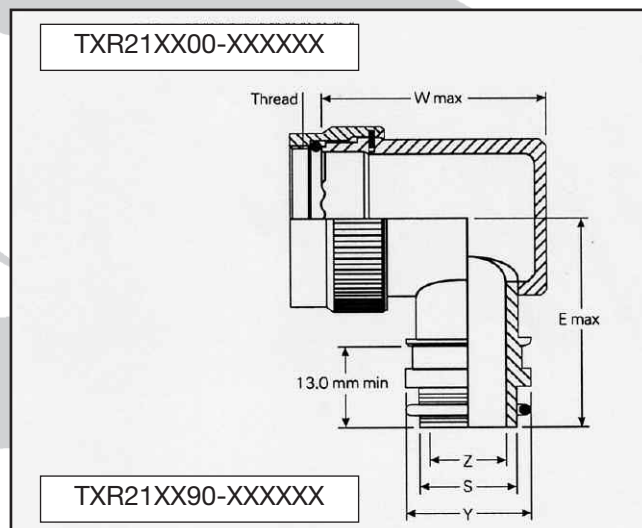
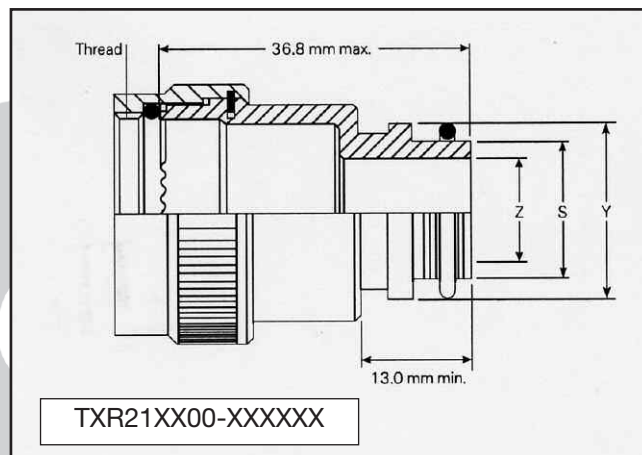


Table of Dimensions (mm/in)

Order Number	Shell Size	Max. Entry Size Type 1	Thread	C Max. mm (in)	D Max. mm (in)	E Max. mm (in)
08	8	04	.438-28 UNEF	18.0 (.74)	21.3 (.87)	26.7 (1.05)
10	10	07	.562-24 UNEF	18.8 (.76)	22.1 (.90)	28.2 (1.11)
12	12	08	.688-24 UNEF	19.3 (.79)	22.9 (.92)	30.2 (1.19)
14	14	10	.812-20 UNEF	20.1 (.82)	23.4 (.95)	31.8 (1.25)
16	16	12	.938-20 UNEF	20.8 (.84)	24.1 (.97)	33.5 (1.32)
18	18	14	1.062-18 UNEF	21.3 (.87)	24.6 (1.00)	35.1 (1.38)
20	20	16	1.188-18 UNEF	22.1 (.89)	25.4 (1.02)	36.6 (1.44)
22	22	18	1.312-18 UNEF	22.6 (.92)	25.9 (1.05)	38.1 (1.50)
24	24	20	1.438-18 UNEF	23.4 (.97)	26.7 (1.07)	39.4 (1.55)

NOTE: Larger than illustrated maximum type 1 entry sizes will be supplied as a two piece adaptor. Please contact **IS-Rayfast** for further information.

TINEL-LOCK® ADAPTORS

Code 21 MIL-C-26482 Series I

Entry Size Dimensions (mm/in)

Entry size	Z +0.25-0.5	S diameter (min.-max.)	Y dia.	W max.
04	6.35 (0.25)	9.39-9.56 (0.37-0.38)	13.97 (1.22)	31.0 (0.55)
05	7.92 (0.31)	10.97-11.13 (0.43-0.44)	15.54 (1.29)	32.8 (0.61)
06	9.52 (0.37)	12.57-12.73 (0.49-0.50)	17.14 (1.35)	34.3 (0.67)
07	11.09 (0.44)	14.12-14.31 (0.55-0.56)	18.71 (1.41)	35.8 (0.74)
08	12.7 (0.50)	15.72-15.91 (0.62-0.63)	20.32 (1.47)	37.3 (0.80)
10	15.87 (0.62)	18.84-19.11 (0.74-0.75)	23.49 (1.60)	40.6 (0.92)
12	19.05 (0.75)	22.02-22.28 (0.87-0.88)	26.67 (1.72)	43.7 (1.05)
14	22.23 (0.88)	25.17-25.46 (0.99-1.00)	29.84 (1.85)	47.0 (1.17)
16	25.4 (1.00)	28.34-28.63 (1.12-1.13)	33.02 (1.97)	50.0 (1.30)
18	28.57 (1.12)	31.52-31.81 (1.24-1.25)	36.19 (2.10)	53.3 (1.42)
20	31.75 (1.25)	34.69-34.98 (1.37-1.38)	39.37 (1.55)	53.8 (2.19)

Moulded Part Selection Guide

TineHLock entry size	Standard K parts			Low-profile D parts		
	Straight part no.	90° part no.	Cable OD (min.) mm (in)	Straight part no.	90° part no.	Cable OD (min.) mm (in)
04	202K232		3.3 (0.1)			
04	202W232		4.3 (0.2)			
04	202K121	222K121	5.6 (0.2)	202D211	222D211	6.4 (0.3)
05,06	202K132	222K132	5.9 (0.2)	202D221	222D221	7.4 (0.3)
07,08	202K142	222K142	7.1 (0.3)	202D232	222D232	8.4 (0.3)
10,12	202K153	222K152	8.4 (0.3)	202D242	222D242	9.7 (0.4)
14,16	202K163	222K163	9.9 (0.4)	202D253	222D253	10.5 (0.4)
18,20,22	202K174	222K174	15.7 (0.6)	202D263	222D263	12.2 (0.5)
24	202K185	222K185	16.8 (0.7)			

Uniboot Parts

TineHLock entry size	Part no.	Cable OD (min.) mm (in)
04	202C611	4.8 (0.19)
05,06,07	202C621	8.1 (0.32)
08,10,12	202C632	12.7 (0.50)
12,14,16	202C642	17.5 (0.69)
16,18,20,22	202C653	22.4 (0.88)
24	202C663	22.9 (0.90)



TINEL-LOCK® ADAPTORS

TXR Stock Profile

CADMIUM FINISH

Code 40 MIL-C-38999 Series III & IV
Straight
TXR40AB00-0804AI
TXR40AB00-0804BI
STXR40AB00-0806AI
STXR40AB00-0806BI
TXR40AB00-1006AI
TXR40AB00-1006BI
STXR40AB00-1008AI
STXR40AB00-1008BI
TXR40AB00-1206AI
TXR40AB00-1206BI
TXR40AB00-1208AI
TXR40AB00-1208BI
STXR40AB00-1210AI
STXR40AB00-1210BI
TXR40AB00-1406AI
TXR40AB00-1406BI
TXR40AB00-1408AI
TXR40AB00-1408BI
TXR40AB00-1410AI
TXR40AB00-1410BI
STXR40AB00-1412AI
STXR40AB00-1412BI
TXR40AB00-1608AI
TXR40AB00-1608BI
TXR40AB00-1610AI
TXR40AB00-1610BI
TXR40AB00-1612AI
TXR40AB00-1612BI
TXR40AB00-1810AI
TXR40AB00-1810BI
TXR40AB00-1812AI
TXR40AB00-1812BI
TXR40AB00-1814AI
TXR40AB00-1814BI
TXR40AB00-2012AI
TXR40AB00-2012BI
TXR40AB00-2014AI
TXR40AB00-2014BI
TXR40AB00-2016AI
TXR40AB00-2016BI
TXR40AB00-2214AI
TXR40AB00-2214BI
TXR40AB00-2216AI
TXR40AB00-2216BI
TXR40AB00-2218AI
TXR40AB00-2218BI
TXR40AB00-2418AI
TXR40AB00-2418BI

Code 40 MIL-C-38999 Series III & IV
Right Angle
TXR40AB90-0804AI
TXR40AB90-0804BI
STXR40AB90-0806AI
STXR40AB90-0806BI
TXR40AB90-1006AI
TXR40AB90-1006BI
TXR40AB90-1206AI
TXR40AB90-1206BI
TXR40AB90-1208AI
TXR40AB90-1208BI
TXR40AB90-1406AI
TXR40AB90-1406BI
TXR40AB90-1408AI
TXR40AB90-1408BI
TXR40AB90-1410AI
TXR40AB90-1410BI
TXR40AB90-1608AI
TXR40AB90-1608BI
TXR40AB90-1610AI
TXR40AB90-1610BI
TXR40AB90-1612AI
TXR40AB90-1612BI
TXR40AB90-1812AI
TXR40AB90-1812BI

Code 41 MIL-C-38999 Series I & II
TXR41AB00-0804AI
TXR41AB00-0804BI
TXR41AB00-1006AI
TXR41AB00-1006BI
TXR41AB00-1208AI
TXR41AB00-1208BI
TXR41AB00-1410AI
TXR41AB00-1410BI
TXR41AB00-1612AI
TXR41AB00-1612BI

Code 54 MIL-C-5015 (MS3400), MIL-C-26482 Series 2, MIL-C-83723 Series I & III, MIL-C-81703 Series III
TXR54AB00-0804AI
TXR54AB00-0804BI
TXR54AB00-1006AI
TXR54AB00-1006BI
TXR54AB00-1208AI
TXR54AB00-1208BI
TXR54AB00-1408AI
TXR54AB00-1408BI
TXR54AB00-1410AI
TXR54AB00-1410BI

Code 21 MIL-C-26482 Series I
TXR21AB00-0804AI
TXR21AB00-0804BI
TXR21AB00-1006AI
TXR21AB00-1006BI
TXR21AB00-1208AI
TXR21AB00-1208BI
TXR21AB00-1410AI
TXR21AB00-1410BI
TXR21AB00-1612AI
TXR21AB00-1612BI

For further information or technical assistance please contact IS-Rayfast.

(UK) Tel: +44(0) 1793 616700
(UK) Fax: +44(0) 1793 644304
(UK) Email: uksales@israyfast.com



www.israyfast.com

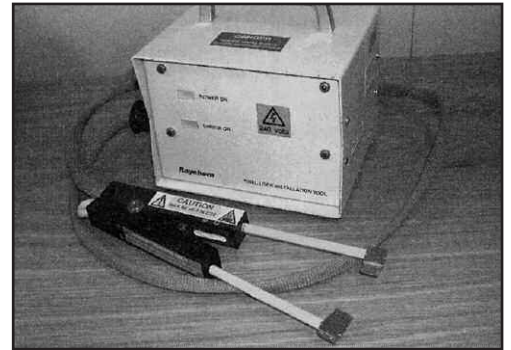
(Europe) Tel: +44(0) 1793 439128
(Europe) Fax: +44(0) 870 6089453
(Europe) Email: export@israyfast.com

TINEL-LOCK® ADAPTORS

Tinel-Lock® Installation Tool

The AD-5000-Tinel-Assy is a manually operated resistance heating tool designed specifically to install Tinel-Lock® ring screened terminations in small batches.

The standard tool accommodates Tinel-Lock® Rings from size TR04 to TR24.



Ordering Information

Description

Tinel Installation Tool (220V-240V)

AD-5000-Tinel-Assy

NOTE: For installation instructions refer to Code of Practice COP 359. Available on request. For further information please contact **IS-Rayfast**.

Adaptor Fundamentals Overview

Adaptor Type

There are four Adaptor types: solid (sometimes called 'fixed'), spin-coupling, braided, and Tinel-Lock[®]. Each is designed to offer a suitable interface between a connector and a heat-shrinkable moulded part.

Adaptor Code

A numerical code is used to identify connectors with similar adaptor interfaces. This code is used to determine the adaptor family and part number.

Adaptor Part Number

The part number is the sequence of numbers and letters that describes the adaptor family (or series), size, material, finish and modifications. The part numbering system is explained on page 2.

Adaptor Family

There are several families (or series) of adaptor products. Each adaptor part number begins with an alphanumeric prefix denoting the specific product family.

Entry Size

Entry size is the diameter of the cable entry hole at the rear of the adaptor e.g. Entry size 08 = 8/16" = 12.7mm (0.5in). Entry sizes are specified on braided and Tinel-Lock[®] adaptors only.

Ring Designator

This is a two-letter code that is part of each Tinel-Lock[®] adaptor part number. It specifies the size of the Tinel-Lock[®] ring suited to specific types of cable braid.

Shell size

This is the size of a connector as specified by the connector manufacturer. It is normally a two digit number between 08 and 24, although certain connectors are obtainable in either larger or smaller sizes and some use letter codes.

Order Number

This is a two digit number that specifies the size of the adaptor that will mate to the corresponding shell size of a connector. The order number is frequently the same as the connector shell size, but should be checked by reference to the appropriate product page(s) in this brochure.

TINEL-LOCK® ADAPTORS

Why Use Tinel-Lock® Adaptors?

SIMPLE INSTALLATION

- Quick and repeatable high quality terminations using Tinel-Lock® installation tool.
- A Thermochromic paint indicator on the ring gives a simple visual indication that the ring has fully installed.

SUPERIOR SHOCK, VIBRATION & THERMAL CYCLING

- The installed Tinel-Lock® ring constantly applies a high compressive force on the screening braid.
- This provides superior shock, vibration and thermal cycling performance.

MECHANICAL STRENGTH

- The installation ring adds mechanical strength to the harness assembly.
- Pull forces of +90kg have been measured, often with the screening braid failing rather than the termination.

RFI SCREENING PERFORMANCE

- True 360° termination provides excellent screen continuity to maximise EMC/EMI protection.

FIELD REPAIRABLE

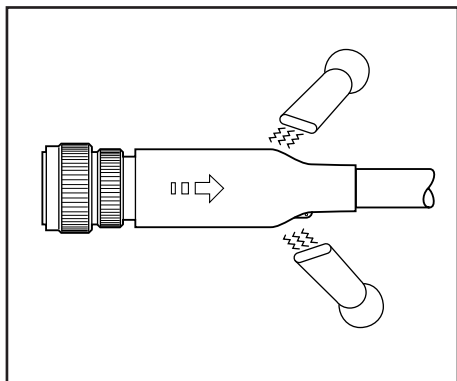
- Spin-coupling adaptor design, used in conjunction with TE Connectivity heat-shrinkable moulded parts, provides a true field repairable, sealed harness solution.
- See “Roll Back Repair” technique below.

HEALTH & SAFETY

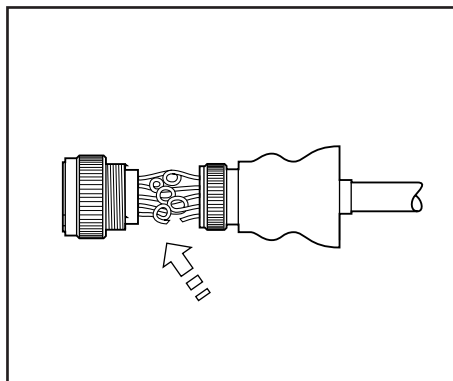
- No sharp edges as with other systems such as constant force spring terminations, reducing the risk of operator injury.

AVAILABLE FROM STOCK AT IS-RAYFAST

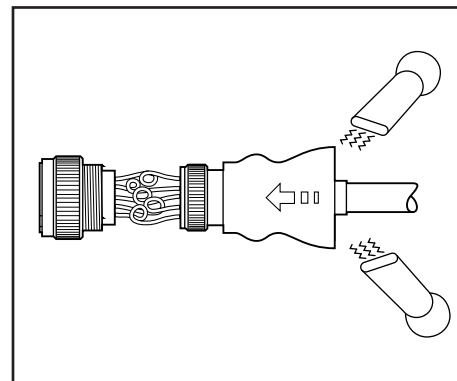
ROLL BACK REPAIR TECHNIQUE



Heat moulded part at shoulder area.
Unscrew adaptor and roll back.



Carry out repair.



Re-heat moulded part in fold area.
Re-position adaptor back fitting and secure. (See COP No. 732 for full instructions).



2 Westmead, Swindon, Wiltshire SN5 7SY, United Kingdom
Tel: +44(0) 1793 616700 • Fax: +44(0) 1793 644304
uksales@israyfast.com • export@israyfast.com

www.israyfast.com

**SUPPLIERS OF HIGH PERFORMANCE
PRODUCTS FROM WORLD LEADING
MANUFACTURERS.**

- Switches
- Wire & Cable
- Relays & Contactors
- Heat-shrinkable Tubing
- Protective Sleeving
- Termination Devices
- Moulded Parts & Shapes
- Marker and Identification Sleeves
- Connectors & Connector Accessories
- Cable Management & Application Equipment
- Adhesives, Tapes, Junction Boxes & Bonding Systems



Tinel-Lock, the TE Connectivity logo and TE Connectivity are trademarks of the TE Connectivity group of companies and its licensors.