

Extensive range of 4, 9, 14, 19 and 30 contact power connectors

MIL-DTL-12520 power connectors



EATON

Powering Business Worldwide

MIL-DTL-12520 Receptacles and Plugs

- Comprehensive range of MIL-DTL-12520 plugs and receptacles in round and cathedral form factors.
- Corrosion resistant, aluminum-alloy receptacles.
- Rugged plug designs feature solid brass bodies and steel nosepieces.
- Gold over nickel plated contacts.
- Custom solution capabilities include wiring harnesses and cable assemblies.



Electrical

Dielectric Strength

| | |
|-----------------------|-----------------------------------|
| 4, 9 & 14 Contacts | 2800 Volts RMS |
| 19 Contacts | 2000 Volts RMS |
| 30 Contacts | 1500 Volts RMS |
| Insulation Resistance | 1000 Megohms min. at 500 Volts DC |

Voltage Drop

| | |
|--------------------|-------------------|
| 4 Contact | 20 MV at 35 Amps |
| 9, 14 & 19 Contact | 21 MV at 20 Amps |
| 30 Contacts | 25 MV at 7.5 Amps |

Mechanical

| | |
|-------------------|--|
| Air pressure | 2.5 PSI |
| Water immersion | 6 feet for 48 hours |
| Durability | 500 cycles with a coupling torque of 25 inch pounds. |
| Contact retention | 15 pounds |
| Insert strength | 400 pounds |

Panel Mount Solutions

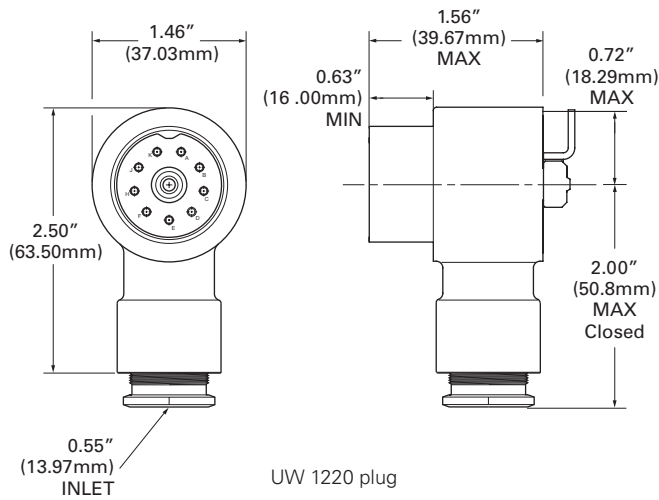
| Configuration | Contact Type | Number of Contacts | Contact Size | Part Number |
|------------------|--------------|--------------------|--------------|-------------|
| Small Receptacle | Socket | 4 | 12 | UW2020FA00 |
| | | 9 | 12 | UW2020FB00 |
| | Pin | 4 | 12 | UW2020MA00 |
| | | 9 | 12 | UW2020MB00 |
| Large Receptacle | Socket | 14 | 16 | UW2026FC00 |
| | | 19 | 16 | UW2026FD00 |
| | | 30 | 20 | UW2026FE00 |
| | Pin | 14 | 16 | UW2026MC00 |
| | | 19 | 16 | UW2026MD00 |
| | | 30 | 20 | UW2026ME00 |

MIL-DTL-12520 UW Series

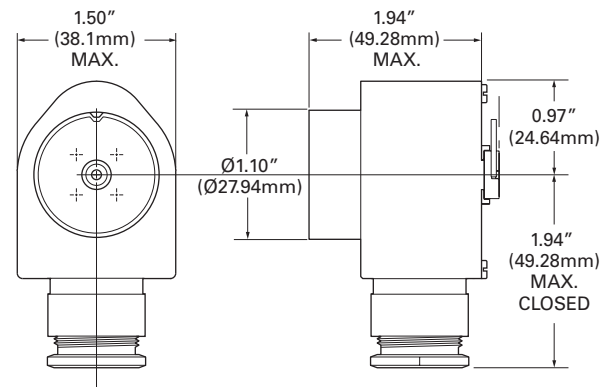
Cable Mount Solutions

| Configuration | Contact Type | Number of Contacts | Contact Size | Part Number |
|----------------------|--------------|--------------------|--------------|-------------|
| Round Plug | Socket | 4 | 12 | UW1220FAXX |
| | | 9 | 12 | UW1220FBXX |
| | Pin | 4 | 12 | UW1220MAXX |
| | | 9 | 12 | UW1220MBXX |
| Small Cathedral Plug | Socket | 4 | 12 | UW1320FAXX |
| | | 9 | 12 | UW1320FBXX |
| | Pin | 4 | 12 | UW1320MAXX |
| | | 9 | 12 | UW1320MBXX |
| Large Cathedral Plug | Socket | 14 | 16 | UW1326FCXX |
| | | 19 | 16 | UW1326FDXX |
| | | 30 | 20 | UW1326FEXX |
| | Pin | 14 | 16 | UW1326MCXX |
| | | 19 | 16 | UW1326MDXX |
| | | 30 | 20 | UW1326MEXX |

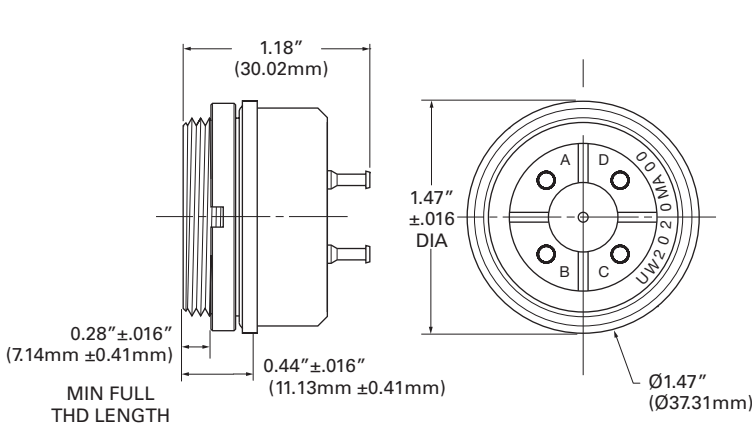
| XX Value | Cable Diameter (Inches) |
|----------|-------------------------|
| 11 | 0.292 to 0.343 |
| 13 | 0.323 to 0.406 |
| 15 | 0.386 to 0.486 |
| 17 | 0.448 to 0.531 |
| 19 | 0.511 to 0.593 |
| 21 | 0.573 to 0.656 |
| 23 | 0.636 to 0.718 |
| 25 | 0.698 to 0.781 |
| 27 | 0.761 to 0.843 |



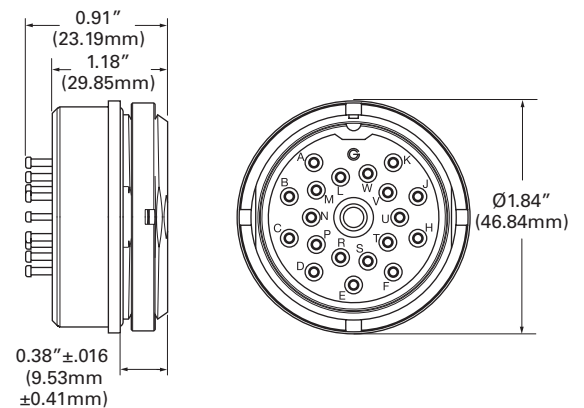
UW 1220 plug



UW 1320 plug



UW2020MA00 receptacle



UW2026FD00 receptacle