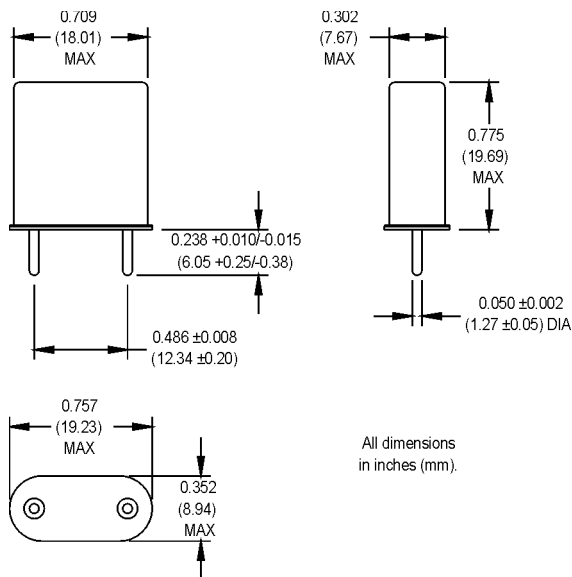


MIL-PRF-3098 QPL Crystals

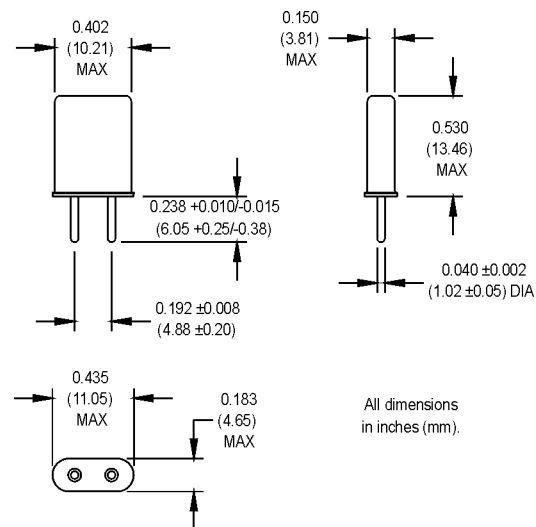
Crystals qualified under MIL-PRF-3098

MtronPTI has been a QPL'd supplier of military quartz crystals since 1967. Crystal designs requiring military approval fall into two categories, those which have been subjected to formal QPL qualification under MIL-PRF-3098 and others too new and/or too limited in quantity to have been so certified.

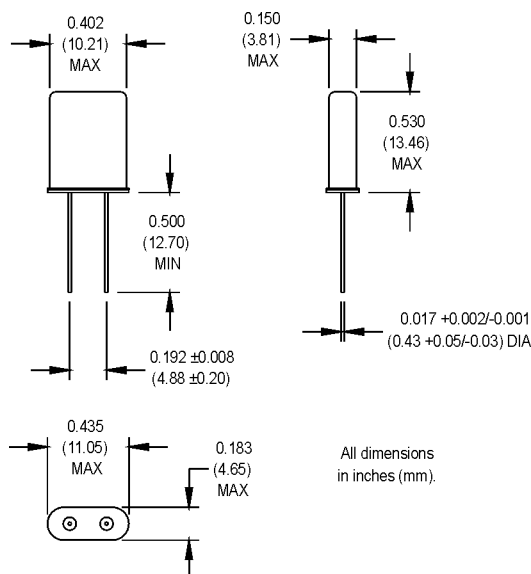
HC-48/U 00.0000 MHz (customer specified)



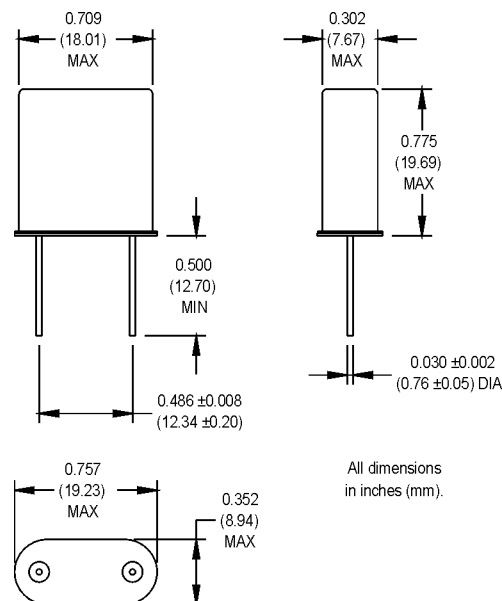
HC-50/U 00.0000 MHz (customer specified)



HC-49/U 00.0000 MHz (customer specified)



HC-51/U 00.0000 MHz (customer specified)



MtronPTI reserves the right to make changes to the product(s) and service(s) described herein without notice. No liability is assumed as a result of their use or application.

Please see www.mtronpti.com for our complete offering and detailed datasheets. Contact us for your application specific requirements: MtronPTI 1-800-762-8800.

MIL-PRF-3098 QPL Crystals

Electrical Specifications

CR Type	Slash Sheet	Frequency Range (MHz)	Frequency Tolerance (ppm)	Operating Temperature	Resistance Weld Holder	Load Cap. (pF)
CR-18/U	/3	1.000 to 20.000	50	-55°C to +105°C	HC-48/U	32.0
CR-19/U	/4	1.000 to 20.000	50	-55°C to +105°C	HC-48/U	series
CR-52/U	/30	10.000 to 61.000	50	-55°C to +105°C	HC-48/U	series
CR-55/U	/33	17.000 to 61.000	50	-55°C to +105°C	HC-49/U	series
CR-60/U	/38	5.000 to 20.000	50	-55°C to +105°C	HC-49/U	series
CR-64/U	/42	2.400 to 20.000	50	-55°C to +105°C	HC-49/U	30.0
CR-67/U	/45	17.000 to 61.000	25	-55°C to +105°C	HC-49/U	series
CR-76/U	/53	16.000 to 61.000	20	-40°C to +90°C	HC-49/U	series
CR-78/U	/62	2.200 to 20.000	50	-55°C to +105°C	HC-50/U	30.0
CR-79/U	/63	2.900 to 20.000	50	-55°C to +105°C	HC-50/U	series
CR-81/U	/58	17.000 to 61.000	50	-55°C to +105°C	HC-50/U	series
CR-97/U	/72	8.000 to 10.000	50	-40°C to +85°C	HC-49/U	32.0
CR-106/U	/82	10.500 to 11.500	50	-55°C to +105°C	HC-49/U	32.0
CR-117/U	/93	30.000 to 61.000	15	-40°C to +65°C	HC-50/U	series
CR-139/U	/118	20.000 to 22.000	50	-55°C to +105°C	HC-49/U	30.0
CR-157/U	/137	1.000 to 20.000	50	-55°C to +105°C	HC-51/U	series

Contact the factory for availability of specific frequencies below 2.000 MHz.