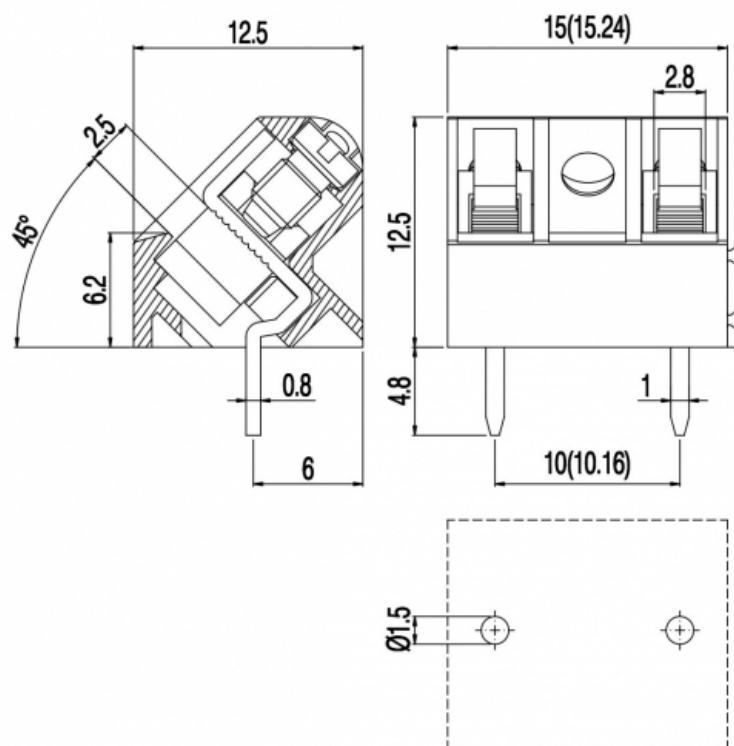
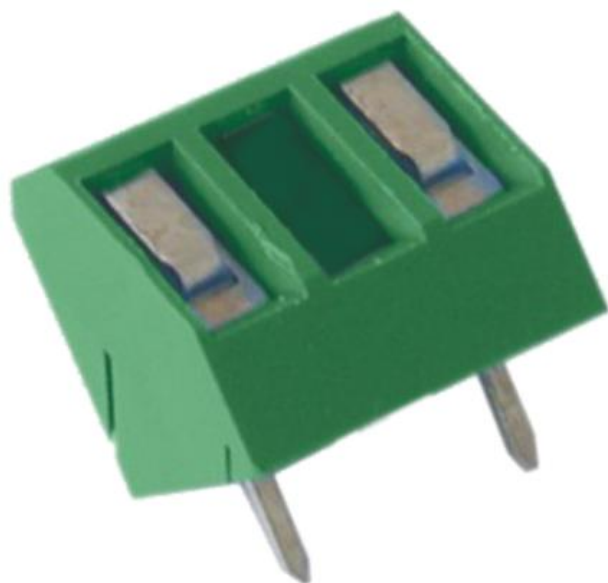


# MIP25x-10,16-IQ



## GENERAL INFORMATION

pitch:	10,16 mm
housing height:	12,50 mm
housing depth:	12.5 mm
dimensional class:	medium
wire section:	2.5 mm <sup>2</sup> / 14 AWG
clamp opening size:	2.8 × 2.5 mm
wire stripping:	max 8 mm
operating temperature:	-40°C ÷ +130°C

## ELECTRICAL CHARACTERISTICS

current:	24A
voltage:	750V
test voltage:	3 kVrms/60s

## MECHANICAL CHARACTERISTICS

screw:	M3
max. torque:	0.5 Nm / 4.5 in.lbs

## APPROVALS DATA



current:	-	-	UL 1059
voltage:	-	-	24A factory / 20A field
wire section:	-	-	300V
torque:	-	-	12÷30AWG
FILE:	-	-	4.5Lb-in
			E178356

## MATERIALS

housing:	PA - UL 94 V0
screw:	Galvanized steel
clamp/spring:	Nickel copper alloy

## AVAILABLE COLOURS



other colours: upon request

terminal:

Tin-plated copper alloy

poles	P/N	pcs/pack	W [Kg]*	W [Kg]*
1	MIP251-10,16-IQ	N/A	N/A	N/A
2	MIP252-10,16-IQ	N/A	N/A	N/A
..	MIP25..-10,16-IQ	N/A	N/A	N/A