



Micro Commercial Components

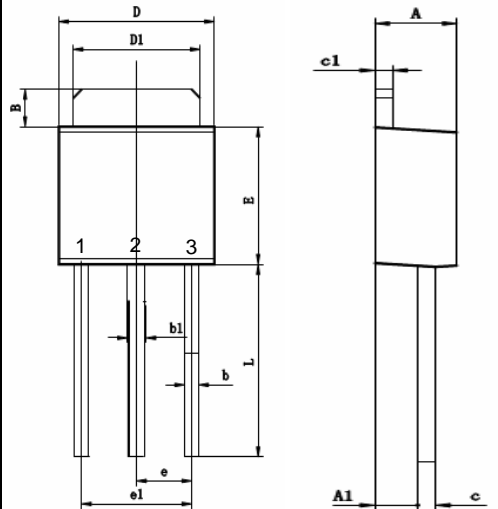


Micro Commercial Components
20736 Marilla Street Chatsworth
CA 91311
Phone: (818) 701-4933
Fax: (818) 701-4939

MJE13003D

NPN Silicon Plastic-Encapsulate Transistor

TO-251



PIN 1. BASE
PIN 2.4 COLLECTOR
PIN 3. EMITTER

DIMENSIONS

DIM	INCHES		MM		NOTE
	MIN	MAX	MIN	MAX	
A	.087	.094	2.20	2.40	
A1	.042	.054	1.05	1.35	
B	.053	.065	1.35	1.65	
b	.020	.028	0.50	0.70	
b1	.028	.035	0.70	0.90	
c	.017	.023	0.43	0.58	
c1	.017	.023	0.43	0.58	
D	.250	.262	6.35	6.65	
D1	.205	.213	5.20	5.40	
E	.213	.224	5.40	5.70	
e	0.091TYP		2.300TYP		
e1	.177	.185	4.50	4.70	
L	.295	.311	7.50	7.90	

Features

- Lead Free Finish/RoHS Compliant(Note 1) ("P" Suffix designates RoHS Compliant. See ordering information)
- Capable of 1.25Watts of Power Dissipation.
- Collector-current 1.5A
- Collector-base Voltage 700V
- Operating and storage junction temperature range: -55°C to +150°C
- Epoxy meets UL 94 V-0 flammability rating
- Moisture Sensitivity Level 1
- Halogen free available upon request by adding suffix "-HF"

Electrical Characteristics @ 25°C Unless Otherwise Specified

Symbol	Parameter	Min	Max	Units
--------	-----------	-----	-----	-------

OFF CHARACTERISTICS

$V_{(BR)CEO}$	Collector-Emmitter Breakdown Voltage ($I_C=10mA, I_B=0$)	400		Vdc
$V_{(BR)CBO}$	Collector-Base Breakdown Voltage ($I_C=1000\mu A, I_E=0$)	700		Vdc
$V_{(BR)EBO}$	Emmitter-Base Breakdown Voltage ($I_E=1000\mu A, I_C=0$)	9.0		Vdc
I_{CBO}	Collector Cutoff Current ($V_{CB}=700Vdc, I_E=0$)		1000	μA
I_{CEO}	Collector Cutoff Current ($V_{CE}=400Vdc, I_B=0$)		500	μA
I_{EBO}	Emmitter Cutoff Current ($V_{EB}=9.0Vdc, I_C=0$)		1000	μA

ON CHARACTERISTICS

$h_{FE(1)}$	DC Current Gain ($I_C=0.5A, V_{CE}=5.0Vdc$)	8.0	40	
$h_{FE(2)}$	DC Current Gain ($I_C=1.5A, V_{CE}=5Vdc$)	5.0		
$V_{CE(sat)}$	Collector-Emmitter Saturation Voltage ($I_C=1000mA, I_B=250mA$)		1.0	Vdc
$V_{BE(sat)}$	Base-Emmitter Saturation Voltage ($I_C=1000mA, I_B=250mA$)		1.2	Vdc
V_{BE}	Base-Emmitter Voltage ($I_E=2000mA$)		3.0	Vdc

SMALL-SIGNAL CHARACTERISTICS

f_T	Transistor Frequency ($I_C=100mA, V_{CE}=10Vdc, f=1.0MHz$)	5.0		MHz
t_f	Fall Time $V_{CC}=100V, I_C=1.0$		0.5	μS
t_s	Storage Time $A, I_{B1}=I_{B2}=0.2A$		2.5	μS

Notes:1.High Temperature Solder Exemption Applied, see EU Directive Annex 7.



Micro Commercial Components

Ordering Information :

Device	Packing
Part Number-BP	Bulk; 80pcs/Tube

Note : Adding "-HF" suffix for halogen free, eg. Part Number-BP-HF

*****IMPORTANT NOTICE*****

Micro Commercial Components Corp. reserves the right to make changes without further notice to any product herein to make corrections, modifications, enhancements, improvements, or other changes. **Micro Commercial Components Corp.** does not assume any liability arising out of the application or use of any product described herein; neither does it convey any license under its patent rights, nor the rights of others. The user of products in such applications shall assume all risks of such use and will agree to hold **Micro Commercial Components Corp.** and all the companies whose products are represented on our website, harmless against all damages.

*****LIFE SUPPORT*****

MCC's products are not authorized for use as critical components in life support devices or systems without the express written approval of Micro Commercial Components Corporation.

*****CUSTOMER AWARENESS*****

Counterfeiting of semiconductor parts is a growing problem in the industry. Micro Commercial Components (MCC) is taking strong measures to protect ourselves and our customers from the proliferation of counterfeit parts. MCC strongly encourages customers to purchase MCC parts either directly from MCC or from Authorized MCC Distributors who are listed by country on our web page cited below. Products customers buy either from MCC directly or from Authorized MCC Distributors are genuine parts, have full traceability, meet MCC's quality standards for handling and storage. **MCC will not provide any warranty coverage or other assistance for parts bought from Unauthorized Sources.** MCC is committed to combat this global problem and encourage our customers to do their part in stopping this practice by buying direct or from authorized distributors.