

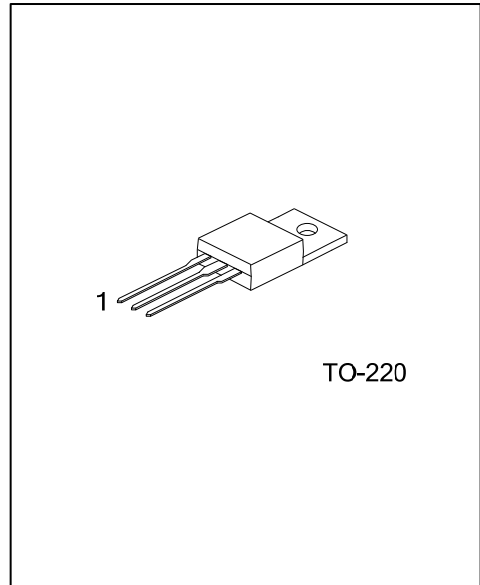


## MJE13007-P

Preliminary

**NPN SILICON TRANSISTOR**

### NPN BIPOLAR POWER TRANSISTOR FOR SWITCHING POWER SUPPLY APPLICATIONS



#### DESCRIPTION

The UTC **MJE13007-P** is designed for high-voltage, high-speed power switching inductive circuits where fall time is critical. It is particularly suited for 115 and 220 V switch mode applications.

#### FEATURES

- \*  $V_{CEO(SUS)}$  400V
- \* 700V Blocking Capability

#### ORDERING INFORMATION

Ordering Number		Package	Pin Assignment			Packing
Lead Free	Halogen Free		1	2	3	
MJE13007L-P-TA3-T	MJE13007G-P-TA3-T	TO-220	B	C	E	Tube

Note: Pin Assignment: B: Base C: Collector E: Emitter

<p>MJE13007L-P-TA3-T</p> <p>(1)Packing Type (2)Package Type (3)Lead Free</p>	<p>(1)T: Tube (2) TA3: TO-220 (3) L: Lead Free, G: Halogen Free</p>
--	---

### ■ ABSOLUTE MAXIMUM RATING

PARAMETER		SYMBOL	RATINGS	UNIT
Collector-Emitter Sustaining Voltage		$V_{CEO}$	400	V
Collector-Emitter Breakdown Voltage		$V_{CBO}$	700	V
Emitter-Base Voltage		$V_{EBO}$	9.0	V
Collector Current	Continuous	$I_C$	8.0	A
	Peak (1)	$I_{CM}$	16	A
Base Current	Continuous	$I_B$	4.0	A
	Peak (1)	$I_{BM}$	8.0	A
Emitter Current	Continuous	$I_E$	12	A
	Peak (1)	$I_{EM}$	24	A
Power Dissipation ( $T_C = 25^\circ\text{C}$ )		$P_D$	80	W
Junction Temperature		$T_J$	+150	$^\circ\text{C}$
Storage Temperature		$T_{STG}$	-55~+150	$^\circ\text{C}$

Note: Absolute maximum ratings are those values beyond which the device could be permanently damaged. Absolute maximum ratings are stress ratings only and functional device operation is not implied.

### ■ THERMAL DATA

PARAMETER	SYMBOL	RATINGS	UNIT
Junction to Ambient	$\theta_{JA}$	62.5	$^\circ\text{C/W}$
Junction to Case	$\theta_{JC}$	1.56	$^\circ\text{C/W}$

Note: 1. Pulse Test: Pulse Width = 5.0 ms, Duty Cycle  $\leq 10\%$ .

Measurement made with thermocouple contacting the bottom insulated mounting surface of the package (in a location beneath the die), the device mounted on a heatsink with thermal grease applied at a mounting torque of 6 to 8•lbs.

### ■ ELECTRICAL CHARACTERISTICS ( $T_C=25^\circ\text{C}$ , unless otherwise noted)

PARAMETER	SYMBOL	TEST CONDITIONS	MIN	TYP	MAX	UNIT
Collector-Emitter Sustaining Voltage	$V_{CEO(SUS)}$	$I_C=10\text{mA}, I_B=0$	400			V
Collector Cutoff Current	$I_{CBO}$	$V_{CES}=700\text{V}$			0.1	mA
		$V_{CES}=700\text{V}, T_C=125^\circ\text{C}$			1.0	mA
Emitter Cutoff Current	$I_{EBO}$	$V_{EB}=9.0\text{V}, I_C=0$			100	$\mu\text{A}$
DC Current Gain	$h_{FE1}$	$I_C=2.0\text{A}, V_{CE}=5.0\text{V}$	8.0		40	
	$h_{FE2}$	$I_C=5.0\text{A}, V_{CE}=5.0\text{V}$	5.0		30	
Collector-Emitter Saturation Voltage	$V_{CE(SAT)}$	$I_C=2.0\text{A}, I_B=0.4\text{A}$			1.0	V
		$I_C=5.0\text{A}, I_B=1.0\text{A}$			2.0	V
		$I_C=8.0\text{A}, I_B=2.0\text{A}$			3.0	V
		$I_C=5.0\text{A}, I_B=1.0\text{A}, T_C=100^\circ\text{C}$			3.0	V
Base-Emitter Saturation Voltage	$V_{BE(SAT)}$	$I_C=2.0\text{A}, I_B=0.4\text{A}$			1.2	V
		$I_C=5.0\text{A}, I_B=1.0\text{A}$			1.6	V
		$I_C=5.0\text{A}, I_B=1.0\text{A}, T_C=100^\circ\text{C}$			1.5	V
Current-Gain-Bandwidth Product	$f_T$	$I_C=500\text{mA}, V_{CE}=10\text{V}, f=1.0\text{MHz}$	4.0	14		MHz
Output Capacitance	$C_{OB}$	$V_{CB}=10\text{V}, I_E=0, f=0.1\text{MHz}$		80		pF
<b>RESISTIVE LOAD (TABLE 1)</b>						
Delay Time	$t_D$	$V_{CC}=125\text{V}, I_C=5.0\text{A}, I_{B1}=I_{B2}=1.0\text{A}, t_p=25\mu\text{s}, \text{Duty Cycle} \leq 1.0\%$		0.025	0.1	$\mu\text{s}$
Rise Time	$t_R$			0.5	1.5	$\mu\text{s}$
Storage Time	$t_S$			1.8	4.0	$\mu\text{s}$
Fall Time	$t_F$			0.23	0.7	$\mu\text{s}$

Note: Pulse Test: Pulse Width  $\leq 300\mu\text{s}$ , Duty Cycle  $\leq 2.0\%$

■ TYPICAL THERMAL RESPONSE

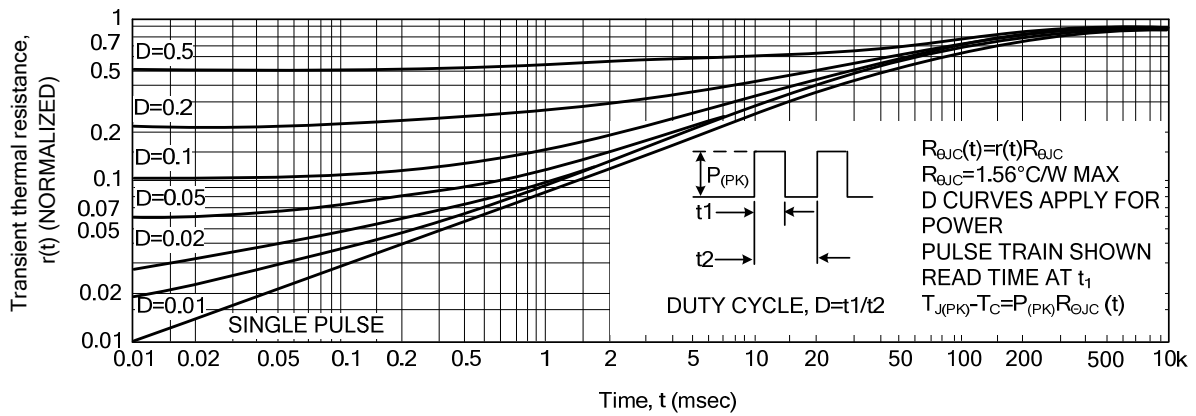


Fig. 1 Typical Thermal Response

There are two limitations on the power handling ability of a transistor: average junction temperature and second breakdown. Safe operating area curves indicate  $I_C$ - $V_{CE}$  limits of the transistor that must be observed for reliable operation; i.e., the transistor must not be subjected to greater dissipation than the curves indicate.

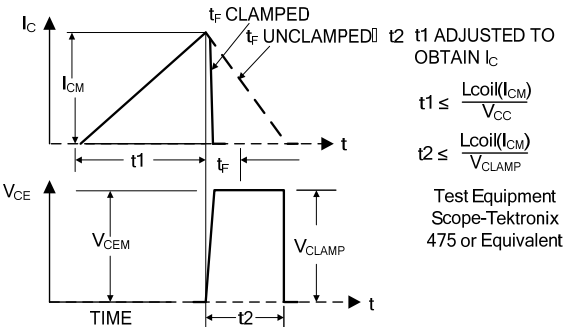
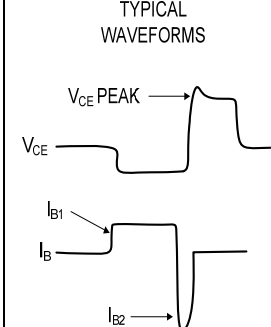
The data of Fig. 7 is based on  $T_C = 25^\circ\text{C}$ ;  $T_{J(PK)}$  is variable depending on power level. Second breakdown pulse limits are valid for duty cycles to 10% but must be debated when  $T_C \geq 25^\circ\text{C}$ . Second breakdown limitations do not debate the same as thermal limitations. Allowable current at the voltages shown on Fig. 7 may be found at any case temperature by using the appropriate curve on Fig. 9.

At high case temperatures, thermal limitations will reduce the power that can be handled to values less than the limitations imposed by second breakdown.

Use of reverse biased safe operating area data (Fig. 8) is discussed in the applications information section.

■ TYPICAL THERMAL RESPONSE(Cont.)

Table 1. Test Conditions for Dynamic Performance

TEST CIRCUITS	REVERSE BIAS SAFE OPERATING AREA AND INDUCTIVE SWITCHING	RESISTIVE SWITCHING						
CIRCUIT VALUES	<table border="1"> <thead> <tr> <th>BV<sub>CEO</sub> (SUS)</th> <th>Inductive Switching</th> <th>RBSOA</th> </tr> </thead> <tbody> <tr> <td>L=10mH R<sub>B2</sub>=8 V<sub>CC</sub>=20V I<sub>C(PK)</sub>=100mA</td> <td>L=20mH R<sub>B2</sub>=0 V<sub>CC</sub>=15V R<sub>B1</sub> selected for desired I<sub>B1</sub></td> <td>L=500mH R<sub>B2</sub>=0 V<sub>CC</sub>=15Volts R<sub>B1</sub> selected for desired I<sub>B1</sub></td> </tr> </tbody> </table>	BV <sub>CEO</sub> (SUS)	Inductive Switching	RBSOA	L=10mH R <sub>B2</sub> =8 V <sub>CC</sub> =20V I <sub>C(PK)</sub> =100mA	L=20mH R <sub>B2</sub> =0 V <sub>CC</sub> =15V R <sub>B1</sub> selected for desired I <sub>B1</sub>	L=500mH R <sub>B2</sub> =0 V <sub>CC</sub> =15Volts R <sub>B1</sub> selected for desired I <sub>B1</sub>	<p>V<sub>CC</sub>=125V R<sub>C</sub>=25Ω D1=1N5820 OR EQUIV</p>
BV <sub>CEO</sub> (SUS)	Inductive Switching	RBSOA						
L=10mH R <sub>B2</sub> =8 V <sub>CC</sub> =20V I <sub>C(PK)</sub> =100mA	L=20mH R <sub>B2</sub> =0 V <sub>CC</sub> =15V R <sub>B1</sub> selected for desired I <sub>B1</sub>	L=500mH R <sub>B2</sub> =0 V <sub>CC</sub> =15Volts R <sub>B1</sub> selected for desired I <sub>B1</sub>						
	 <p> <math>t_1 \leq \frac{L \cdot \text{coil}(I_{CM})}{V_{CC}}</math>  <math>t_2 \leq \frac{L \cdot \text{coil}(I_{CM})}{V_{CLAMP}}</math> </p> <p>Test Equipment Scope-Tektronix 475 or Equivalent</p>	<p>TYPICAL WAVEFORMS</p>  <p> <math>t_r, t_f &lt; 10\text{ns}</math>              DUTY CYCLE=1.0%              RB AND RC ADJUSTED FOR DESIRED IB AND I<sub>C</sub> </p>						

UTC assumes no responsibility for equipment failures that result from using products at values that exceed, even momentarily, rated values (such as maximum ratings, operating condition ranges, or other parameters) listed in products specifications of any and all UTC products described or contained herein. UTC products are not designed for use in life support appliances, devices or systems where malfunction of these products can be reasonably expected to result in personal injury. Reproduction in whole or in part is prohibited without the prior written consent of the copyright owner. The information presented in this document does not form part of any quotation or contract, is believed to be accurate and reliable and may be changed without notice.