

Silicon NPN Power Transistors

MJE18006

DESCRIPTION

www.datasheet4u.com

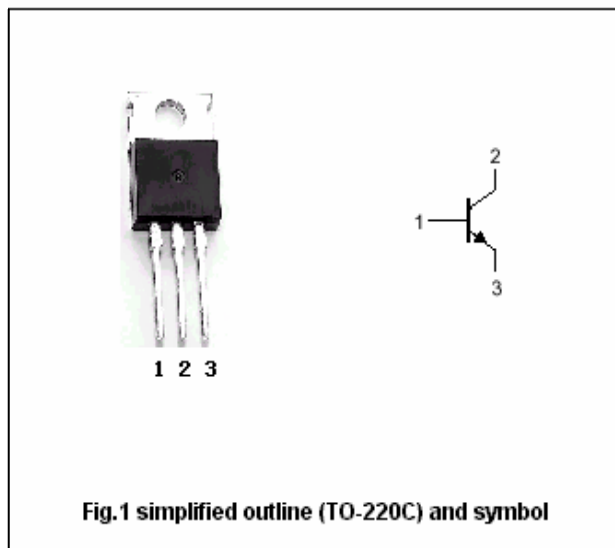
- With TO-220C package
- High voltage ,high speed

APPLICATIONS

- Designed for use in 220V line-operated switchmode power supplies and electronic light ballasts.

PINNING

PIN	DESCRIPTION
1	Base
2	Collector;connected to mounting base
3	Emitter

ABSOLUTE MAXIMUM RATINGS($T_c=25^\circ\text{C}$)

SYMBOL	PARAMETER	CONDITIONS	VALUE	UNIT
V_{CBO}	Collector-base voltage	Open emitter	1000	V
V_{CEO}	Collector-emitter voltage	Open base	450	V
V_{EBO}	Emitter-base voltage	Open collector	9	V
I_C	Collector current (DC)		6	A
I_{CM}	Collector current-Peak		15	A
I_B	Base current		4	A
I_{BM}	Base current-Peak		8	A
P_D	Total power dissipation	$T_c=25^\circ\text{C}$	100	W
T_j	Junction temperature		150	$^\circ\text{C}$
T_{stg}	Storage temperature		-65~150	$^\circ\text{C}$

THERMAL CHARACTERISTICS

SYMBOL	PARAMETER	MAX	UNIT
$R_{th\ j-C}$	Thermal resistance junction to case	1.25	$^\circ\text{C}/\text{W}$
$R_{th\ j-A}$	Thermal resistance junction to ambient	62.5	$^\circ\text{C}/\text{W}$

Silicon NPN Power Transistors

MJE18006

CHARACTERISTICS

T_j=25°C unless otherwise specified

www.datasheet4u.com

SYMBOL	PARAMETER	CONDITIONS	MIN	TYP.	MAX	UNIT	
V _{CEO(SUS)}	Collector-emitter sustaining voltage	I _C =0.1A; L=25mH	450			V	
V _{CE(sat)-1}	Collector-emitter saturation voltage	I _C =1.5A; I _B =0.15A T _C =125°C			0.6 0.65	V	
V _{CE(sat)-2}	Collector-emitter saturation voltage	I _C =3A; I _B =0.6A T _C =125°C			0.7 0.8	V	
V _{BE(sat)-1}	Base-emitter saturation voltage	I _C =1.5A; I _B =0.15A			1.2	V	
V _{BE(sat)-2}	Base-emitter saturation voltage	I _C =3A; I _B =0.6A			1.3	V	
I _{CES}	Collector cut-off current	V _{CE} =RatedV _{CE} ; V _{EB} =0	T _C =125°C			0.1	mA
						0.5	
		V _{CE} =800V				0.1	
I _{CEO}	Collector cut-off current	V _{CE} =RatedV _{CE} ; I _B =0			0.1	mA	
I _{EBO}	Emitter cut-off current	V _{EB} =9V; I _C =0			0.1	mA	
h _{FE-1}	DC current gain	I _C =0.5A; V _{CE} =5V	14		34		
h _{FE-2}	DC current gain	I _C =3A; V _{CE} =1V	6				
h _{FE-3}	DC current gain	I _C =1.5A; V _{CE} =1V	11				
h _{FE-4}	DC current gain	I _C =10mA; V _{CE} =5V	10				
f _T	Transition frequency	I _C =0.5A; V _{CE} =10V; f=1.0MHz		14		MHz	
C _{OB}	Collector output capacitance	I _E =0; V _{CB} =10V; f=1.0MHz		75		pF	

Switching times resistive load, Duty Cycle≤10%, Pulse Width=20μs

t _{on}	Turn-on time	V _{CC} =300V, I _C =3A I _{B1} =0.6A; I _{B2} =1.5A		90	180	ns
t _{off}	Turn-off time			1.7	2.5	μs
t _{on}	Turn-on time	V _{CC} =300V, I _C =1.3A I _{B1} =0.13A; I _{B2} =0.65A		0.2	0.3	μs
t _{off}	Turn-off time			1.2	2.5	μs

Silicon NPN Power Transistors

MJE18006

PACKAGE OUTLINE

www.datasheet4u.com

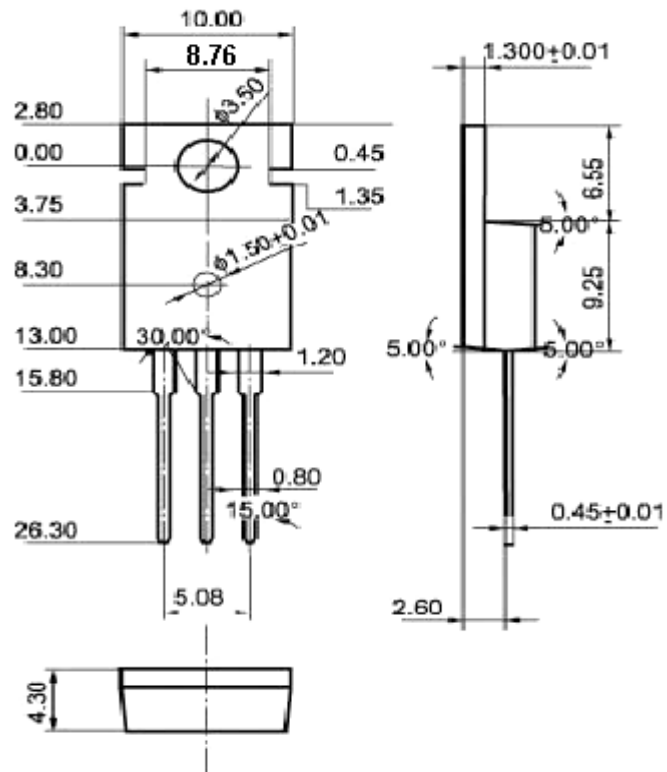


Fig.2 Outline dimensions (unindicated tolerance: 0.10mm)