

# Complementary Plastic Silicon Power Transistors

... designed for low power audio amplifier and low current, high speed switching applications.

- Collector–Emitter Sustaining Voltage —  
 $V_{CEO(sus)} = 60 \text{ Vdc}$  — MJE171, MJE181  
 $= 80 \text{ Vdc}$  — MJE172, MJE182
- DC Current Gain —  
 $h_{FE} = 30 \text{ (Min) @ } I_C = 0.5 \text{ Adc}$   
 $= 12 \text{ (Min) @ } I_C = 1.5 \text{ Adc}$
- Current–Gain — Bandwidth Product —  
 $f_T = 50 \text{ MHz (Min) @ } I_C = 100 \text{ mAdc}$
- Annular Construction for Low Leakages —  
 $I_{CBO} = 100 \text{ nA (Max) @ Rated } V_{CB}$

## MAXIMUM RATINGS

Rating	Symbol	MJE171 MJE181	MJE172 MJE182	Unit
Collector–Base Voltage	$V_{CB}$	80	100	Vdc
Collector–Emitter Voltage	$V_{CEO}$	60	80	Vdc
Emitter–Base Voltage	$V_{EB}$	7.0		Vdc
Collector Current — Continuous Peak	$I_C$	3.0 6.0		Adc
Base Current	$I_B$	1.0		Adc
Total Power Dissipation @ $T_A = 25^\circ\text{C}$ Derate above $25^\circ\text{C}$	$P_D$	1.5 0.012		Watts $\text{W}/^\circ\text{C}$
Total Power Dissipation @ $T_C = 25^\circ\text{C}$ Derate above $25^\circ\text{C}$	$P_D$	12.5 0.1		Watts $\text{W}/^\circ\text{C}$
Operating and Storage Junction Temperature Range	$T_J, T_{stg}$	–65 to +150		$^\circ\text{C}$

## THERMAL CHARACTERISTICS

Characteristic	Symbol	Max	Unit
Thermal Resistance, Junction to Case	$\theta_{JC}$	10	$^\circ\text{C}/\text{W}$
Thermal Resistance, Junction to Ambient	$\theta_{JA}$	83.4	$^\circ\text{C}/\text{W}$

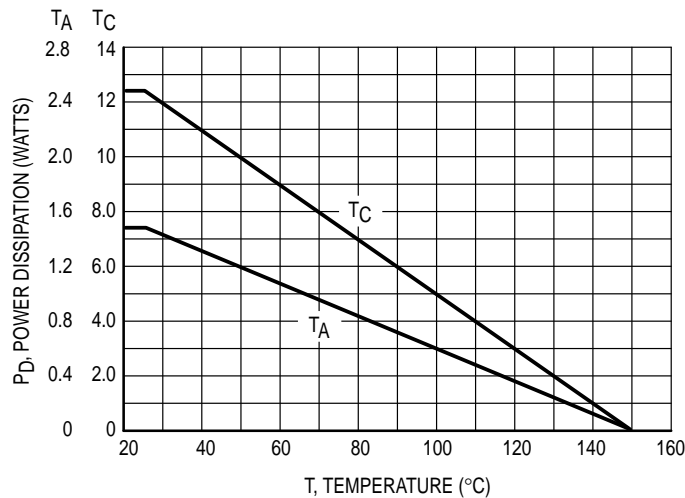


Figure 1. Power Derating

Preferred devices are Motorola recommended choices for future use and best overall value.

REV 2

**PNP**  
**MJE171\***  
  
**MJE172\***  
**NPN**  
**MJE181\***  
  
**MJE182\***

\*Motorola Preferred Device

**3 AMPERE**  
**POWER TRANSISTORS**  
**COMPLEMENTARY**  
**SILICON**  
**60–80 VOLTS**  
**12.5 WATTS**

**CASE 77–08**  
**TO–225AA**

# MJE171 MJE172 MJE181 MJE182

## ELECTRICAL CHARACTERISTICS (T<sub>C</sub> = 25°C unless otherwise noted)

Characteristic	Symbol	Min	Max	Unit
<b>OFF CHARACTERISTICS</b>				
Collector–Emitter Sustaining Voltage (I <sub>C</sub> = 10 mAdc, I <sub>B</sub> = 0)	V <sub>CEO(sus)</sub>	60 80	— —	Vdc
Collector Cutoff Current (V <sub>CB</sub> = 80 Vdc, I <sub>E</sub> = 0) (V <sub>CB</sub> = 100 Vdc, I <sub>E</sub> = 0) (V <sub>CB</sub> = 80 Vdc, I <sub>E</sub> = 0, T <sub>C</sub> = 150°C) (V <sub>CB</sub> = 100 Vdc, I <sub>E</sub> = 0, T <sub>C</sub> = 150°C)	I <sub>CBO</sub>	— — — —	0.1 0.1 0.1 0.1	μAdc mAdc
Emitter Cutoff Current (V <sub>BE</sub> = 7.0 Vdc, I <sub>C</sub> = 0)	I <sub>EBO</sub>	—	0.1	μAdc

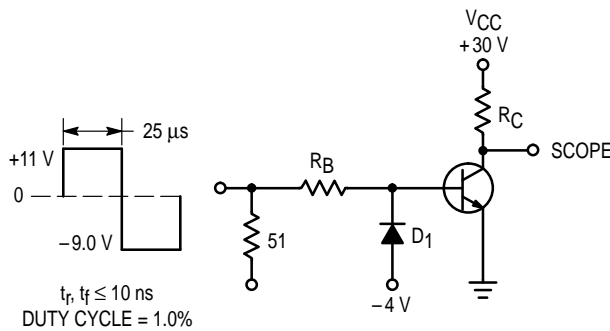
## ON CHARACTERISTICS

DC Current Gain (I <sub>C</sub> = 100 mAdc, V <sub>CE</sub> = 1.0 Vdc) (I <sub>C</sub> = 500 mAdc, V <sub>CE</sub> = 1.0 Vdc) (I <sub>C</sub> = 1.5 Adc, V <sub>CE</sub> = 1.0 Vdc)	h <sub>FE</sub>	50 30 12	250 — —	—
Collector–Emitter Saturation Voltage (I <sub>C</sub> = 500 mAdc, I <sub>B</sub> = 50 mAdc) (I <sub>C</sub> = 1.5 Adc, I <sub>B</sub> = 150 mAdc) (I <sub>C</sub> = 3.0 Adc, I <sub>B</sub> = 600 mAdc)	V <sub>CE(sat)</sub>	— — —	0.3 0.9 1.7	Vdc
Base–Emitter Saturation Voltage (I <sub>C</sub> = 1.5 Adc, I <sub>B</sub> = 150 mAdc) (I <sub>C</sub> = 3.0 Adc, I <sub>B</sub> = 600 mAdc)	V <sub>BE(sat)</sub>	— —	1.5 2.0	Vdc
Base–Emitter On Voltage (I <sub>C</sub> = 500 mAdc, V <sub>CE</sub> = 1.0 Vdc)	V <sub>BE(on)</sub>	—	1.2	Vdc

## DYNAMIC CHARACTERISTICS

Current–Gain — Bandwidth Product (1) (I <sub>C</sub> = 100 mAdc, V <sub>CE</sub> = 10 Vdc, f <sub>test</sub> = 10 MHz)	f <sub>T</sub>	50	—	MHz
Output Capacitance (V <sub>CB</sub> = 10 Vdc, I <sub>E</sub> = 0, f = 0.1 MHz)	C <sub>ob</sub>	— —	60 40	pF

(1) f<sub>T</sub> = |h<sub>fe</sub>| • f<sub>test</sub>.



R<sub>B</sub> and R<sub>C</sub> VARIED TO OBTAIN DESIRED CURRENT LEVELS  
 D<sub>1</sub> MUST BE FAST RECOVERY TYPE, e.g.:  
 1N5825 USED ABOVE I<sub>B</sub> ≈ 100 mA  
 MSD6100 USED BELOW I<sub>B</sub> ≈ 100 mA  
 FOR PNP TEST CIRCUIT, REVERSE ALL POLARITIES.

Figure 2. Switching Time Test Circuit

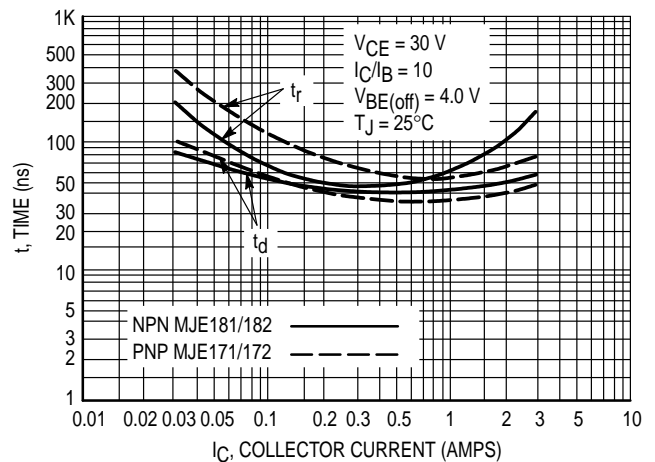


Figure 3. Turn–On Time

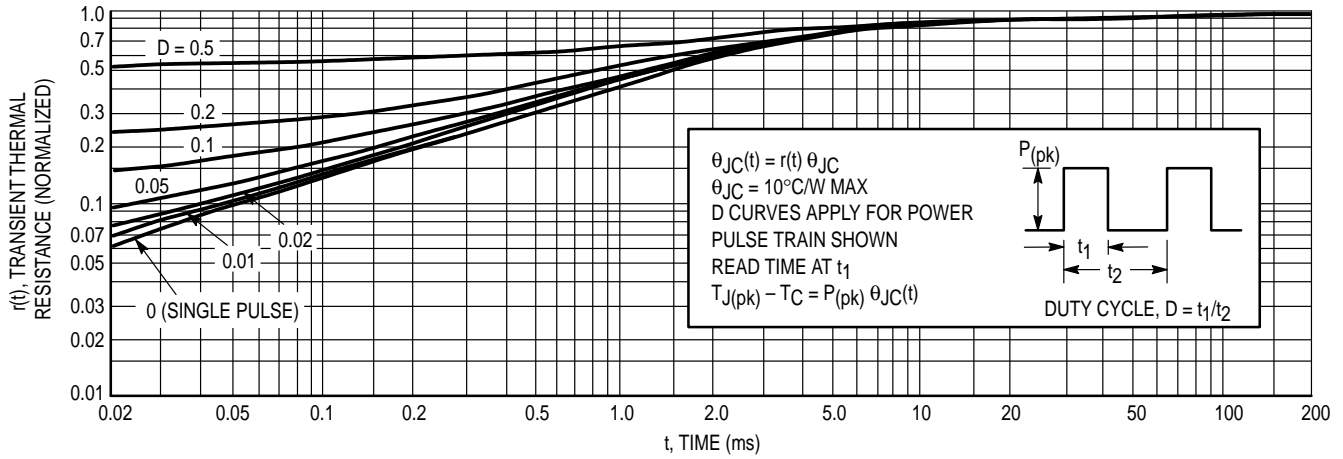


Figure 4. Thermal Response

ACTIVE-REGION SAFE OPERATING AREA

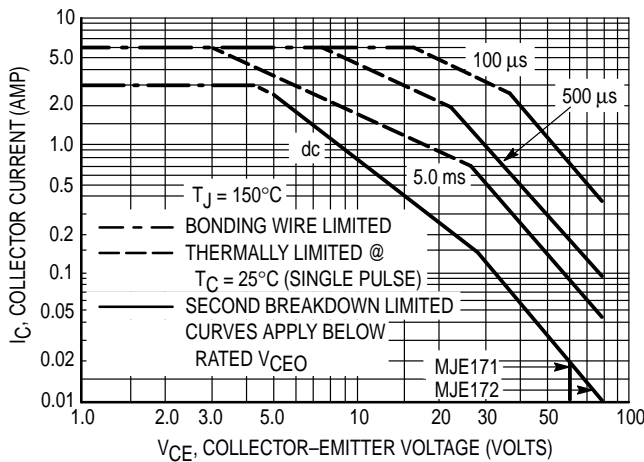


Figure 5. MJE171, MJE172

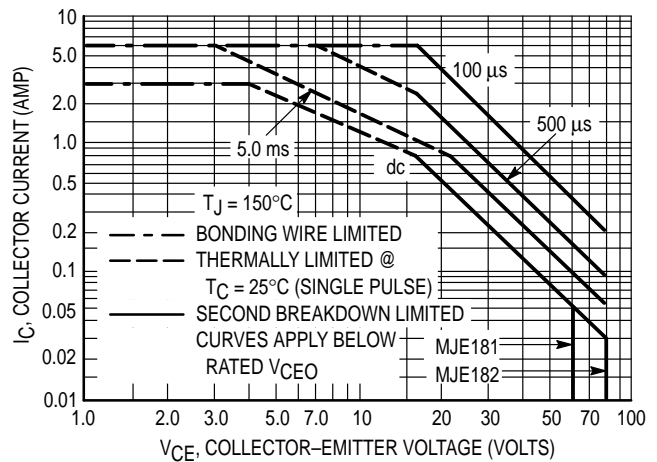


Figure 6. MJE181, MJE182

There are two limitations on the power handling ability of a transistor — average junction temperature and second breakdown. Safe operating area curves indicate  $I_C - V_{CE}$  limits of the transistor that must be observed for reliable operation; i.e., the transistor must not be subjected to greater dissipation than the curves indicate.

The data of Figures 5 and 6 is based on  $T_{J(pk)} = 150^\circ\text{C}$ ;  $T_C$

is variable depending on conditions. Second breakdown pulse limits are valid for duty cycles to 10% provided  $T_{J(pk)} < 150^\circ\text{C}$ .  $T_{J(pk)}$  may be calculated from the data in Figure 4. At high case temperature, thermal limitations will reduce the power that can be handled to values less than the limitations imposed by second breakdown.

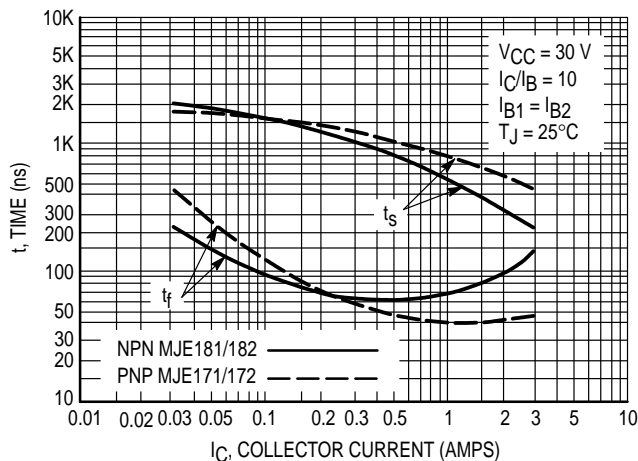


Figure 7. Turn-Off Time

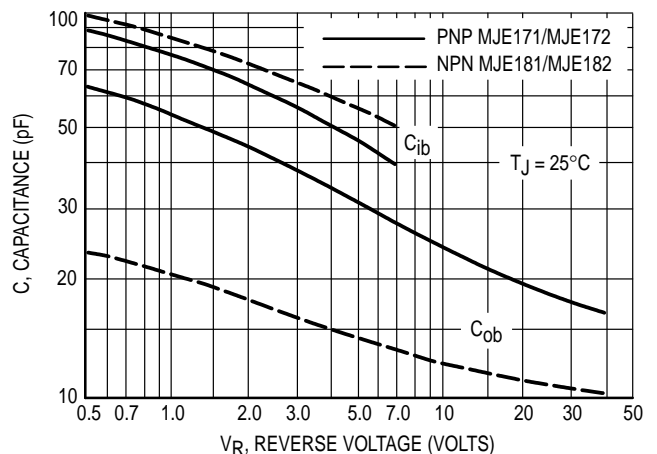
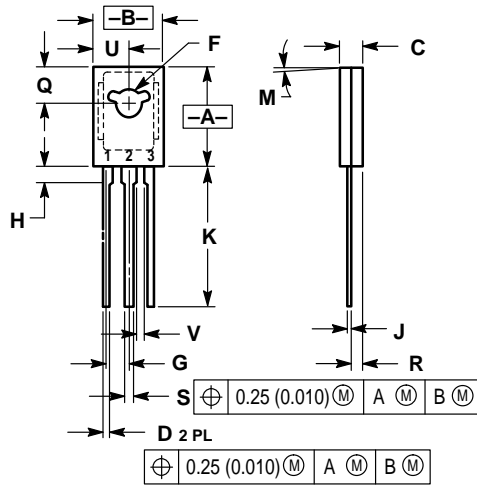


Figure 8. Capacitance

PACKAGE DIMENSIONS



- NOTES:  
 1. DIMENSIONING AND TOLERANCING PER ANSI Y14.5M, 1982.  
 2. CONTROLLING DIMENSION: INCH.

DIM	INCHES		MILLIMETERS	
	MIN	MAX	MIN	MAX
A	0.425	0.435	10.80	11.04
B	0.295	0.305	7.50	7.74
C	0.095	0.105	2.42	2.66
D	0.020	0.026	0.51	0.66
F	0.115	0.130	2.93	3.30
G	0.094 BSC		2.39 BSC	
H	0.050	0.095	1.27	2.41
J	0.015	0.025	0.39	0.63
K	0.575	0.655	14.61	16.63
M	5° TYP		5° TYP	
Q	0.148	0.158	3.76	4.01
R	0.045	0.055	1.15	1.39
S	0.025	0.035	0.64	0.88
U	0.145	0.155	3.69	3.93
V	0.040	—	1.02	—

- STYLE 1:  
 PIN 1. EMITTER  
 2. COLLECTOR  
 3. BASE

CASE 77-08  
 TO-225AA  
 ISSUE V

Motorola reserves the right to make changes without further notice to any products herein. Motorola makes no warranty, representation or guarantee regarding the suitability of its products for any particular purpose, nor does Motorola assume any liability arising out of the application or use of any product or circuit, and specifically disclaims any and all liability, including without limitation consequential or incidental damages. "Typical" parameters can and do vary in different applications. All operating parameters, including "Typicals" must be validated for each customer application by customer's technical experts. Motorola does not convey any license under its patent rights nor the rights of others. Motorola products are not designed, intended, or authorized for use as components in systems intended for surgical implant into the body, or other applications intended to support or sustain life, or for any other application in which the failure of the Motorola product could create a situation where personal injury or death may occur. Should Buyer purchase or use Motorola products for any such unintended or unauthorized application, Buyer shall indemnify and hold Motorola and its officers, employees, subsidiaries, affiliates, and distributors harmless against all claims, costs, damages, and expenses, and reasonable attorney fees arising out of, directly or indirectly, any claim of personal injury or death associated with such unintended or unauthorized use, even if such claim alleges that Motorola was negligent regarding the design or manufacture of the part. Motorola and are registered trademarks of Motorola, Inc. Motorola, Inc. is an Equal Opportunity/Affirmative Action Employer.

How to reach us:  
 USA / EUROPE: Motorola Literature Distribution;  
 P.O. Box 20912; Phoenix, Arizona 85036. 1-800-441-2447

JAPAN: Nippon Motorola Ltd.; Tatsumi-SPD-JLDC, Toshikatsu Otsuki,  
 6F Seibu-Butsuryu-Center, 3-14-2 Tatsumi Koto-Ku, Tokyo 135, Japan. 03-3521-8315

MFAX: RMFAX0@email.sps.mot.com - TOUCHTONE (602) 244-6609  
 INTERNET: http://Design-NET.com

HONG KONG: Motorola Semiconductors H.K. Ltd.; 8B Tai Ping Industrial Park,  
 51 Ting Kok Road, Tai Po, N.T., Hong Kong. 852-26629298

