

Silicon NPN Power Transistors

MJF18002

DESCRIPTION

www.datasheet4u.com

- With TO-220F package
- High voltage ,high speed

APPLICATIONS

- Designed for use in 220V line-operated switchmode power supplies and electronic light ballast

PINNING

PIN	DESCRIPTION
1	Base
2	Collector
3	Emitter

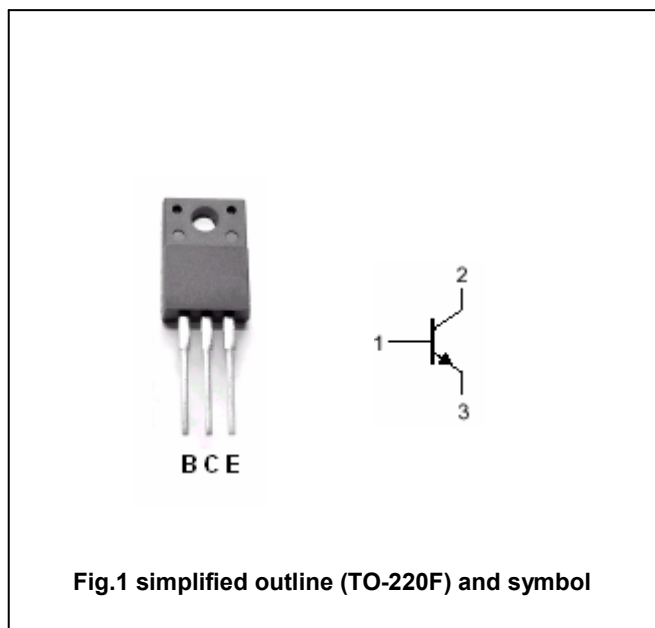


Fig.1 simplified outline (TO-220F) and symbol

ABSOLUTE MAXIMUM RATINGS(T<sub>C</sub>=25°C)

SYMBOL	PARAMETER	CONDITIONS	VALUE	UNIT
V <sub>CBO</sub>	Collector-base voltage	Open emitter	1000	V
V <sub>CEO</sub>	Collector-emitter voltage	Open base	450	V
V <sub>EBO</sub>	Emitter-base voltage	Open collector	9	V
I <sub>C</sub>	Collector current (DC)		2	A
I <sub>CM</sub>	Collector current-Peak		5	A
I <sub>B</sub>	Base current		0.5	A
I <sub>BM</sub>	Base current-Peak		1.0	A
P <sub>D</sub>	Total power dissipation	T <sub>C</sub> =25°C	40	W
T <sub>j</sub>	Junction temperature		150	°C
T <sub>stg</sub>	Storage temperature		-65~150	°C

THERMAL CHARACTERISTICS

SYMBOL	PARAMETER	MAX	UNIT
R <sub>th j-C</sub>	Thermal resistance junction to case	3.12	°C/W
R <sub>th j-A</sub>	Thermal resistance junction to ambient	62.5	°C/W

## Silicon NPN Power Transistors

## MJF18002

## CHARACTERISTICS

T<sub>j</sub>=25°C unless otherwise specified

www.datasheet4u.com

SYMBOL	PARAMETER	CONDITIONS	MIN	TYP.	MAX	UNIT	
V <sub>CEO(SUS)</sub>	Collector-emitter sustaining voltage	I <sub>C</sub> =0.1A; L=25mH	450			V	
V <sub>CEsat-1</sub>	Collector-emitter saturation voltage	I <sub>C</sub> =0.4A; I <sub>B</sub> =40mA T <sub>C</sub> =125°C			0.5 0.5	V	
V <sub>CEsat-2</sub>	Collector-emitter saturation voltage	I <sub>C</sub> =1A; I <sub>B</sub> =0.2A T <sub>C</sub> =125°C			0.5 0.6	V	
V <sub>BEsat-1</sub>	Base-emitter saturation voltage	I <sub>C</sub> =0.4A; I <sub>B</sub> =40mA			1.1	V	
V <sub>BEsat-2</sub>	Base-emitter saturation voltage	I <sub>C</sub> =1A; I <sub>B</sub> =0.2A			1.25	V	
I <sub>CES</sub>	Collector cut-off current	V <sub>CE</sub> =RatedV <sub>CE</sub> ; V <sub>EB</sub> =0	T <sub>C</sub> =125°C			0.1	mA
						0.5	
		V <sub>CE</sub> =800V				0.1	
I <sub>CEO</sub>	Collector cut-off current	V <sub>CE</sub> =RatedV <sub>CEO</sub> ; I <sub>B</sub> =0			0.1	mA	
I <sub>EBO</sub>	Emitter cut-off current	V <sub>EB</sub> =9V; I <sub>C</sub> =0			0.1	mA	
h <sub>FE-1</sub>	DC current gain	I <sub>C</sub> =0.2A; V <sub>CE</sub> =5V	14		34		
h <sub>FE-2</sub>	DC current gain	I <sub>C</sub> =0.4A; V <sub>CE</sub> =1V	11				
h <sub>FE-3</sub>	DC current gain	I <sub>C</sub> =1A; V <sub>CE</sub> =1V	6				
h <sub>FE-4</sub>	DC current gain	I <sub>C</sub> =10mA; V <sub>CE</sub> =5V	10				
f <sub>T</sub>	Transition frequency	I <sub>C</sub> =0.5A; V <sub>CE</sub> =10V; f=1.0MHz		6.5		MHz	
C <sub>OB</sub>	Collector output capacitance	I <sub>E</sub> =0; V <sub>CB</sub> =10V; f=1.0MHz		35		pF	

Switching times resistive load, Duty Cycle≤10%, Pulse Width=20μs

t <sub>on</sub>	Turn-on time	V <sub>CC</sub> =300V, I <sub>C</sub> =0.4A I <sub>B1</sub> =40mA; I <sub>B2</sub> =0.2A		200	300	ns
t <sub>off</sub>	Turn-off time			1.2	2.5	μs
t <sub>on</sub>	Turn-on time	V <sub>CC</sub> =300V, I <sub>C</sub> =1.0A I <sub>B1</sub> =0.2A; I <sub>B2</sub> =0.5A		85	150	ns
t <sub>off</sub>	Turn-off time			1.7	2.5	μs

Silicon NPN Power Transistors

MJF18002

PACKAGE OUTLINE

www.datasheet4u.com

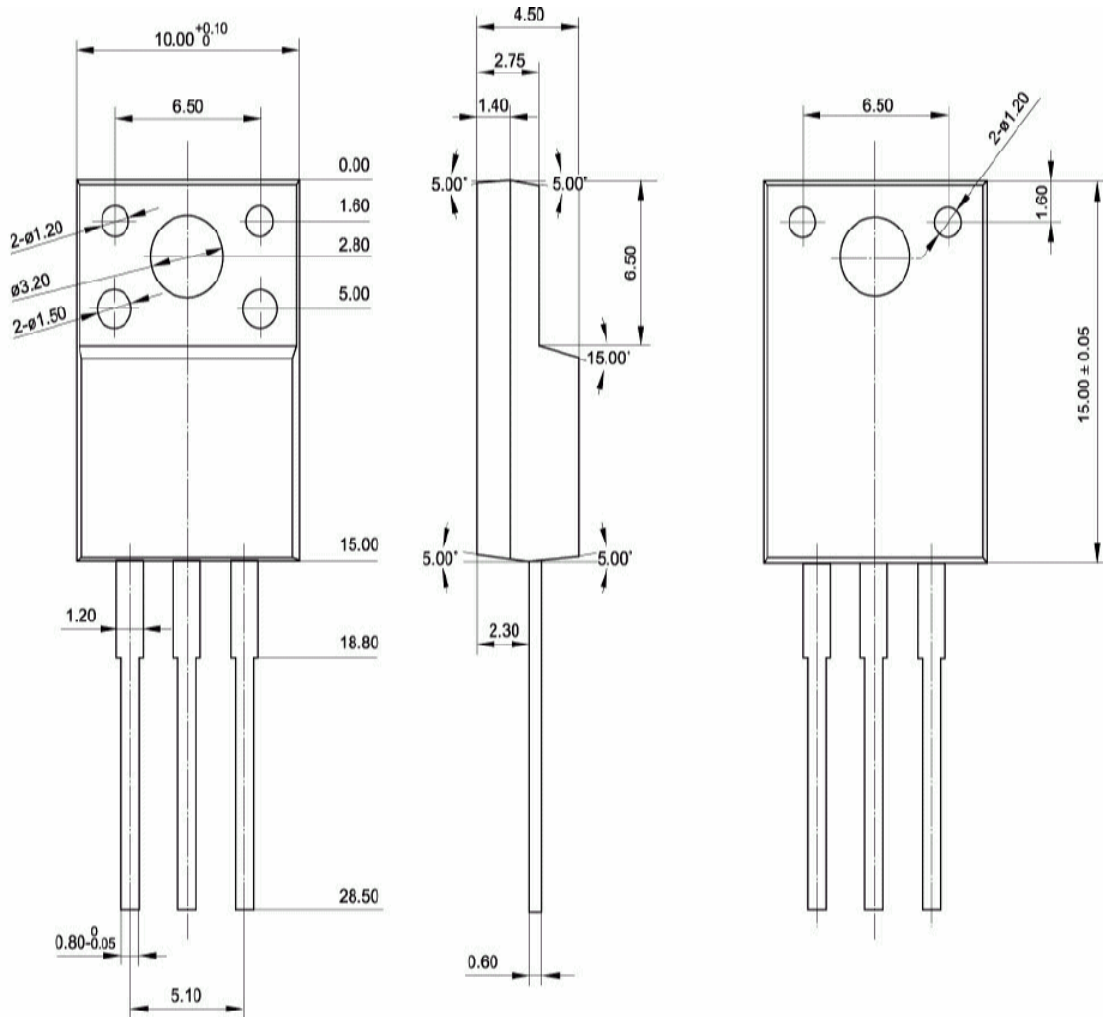


Fig.2 Outline dimensions (unindicated tolerance:±0.10mm)